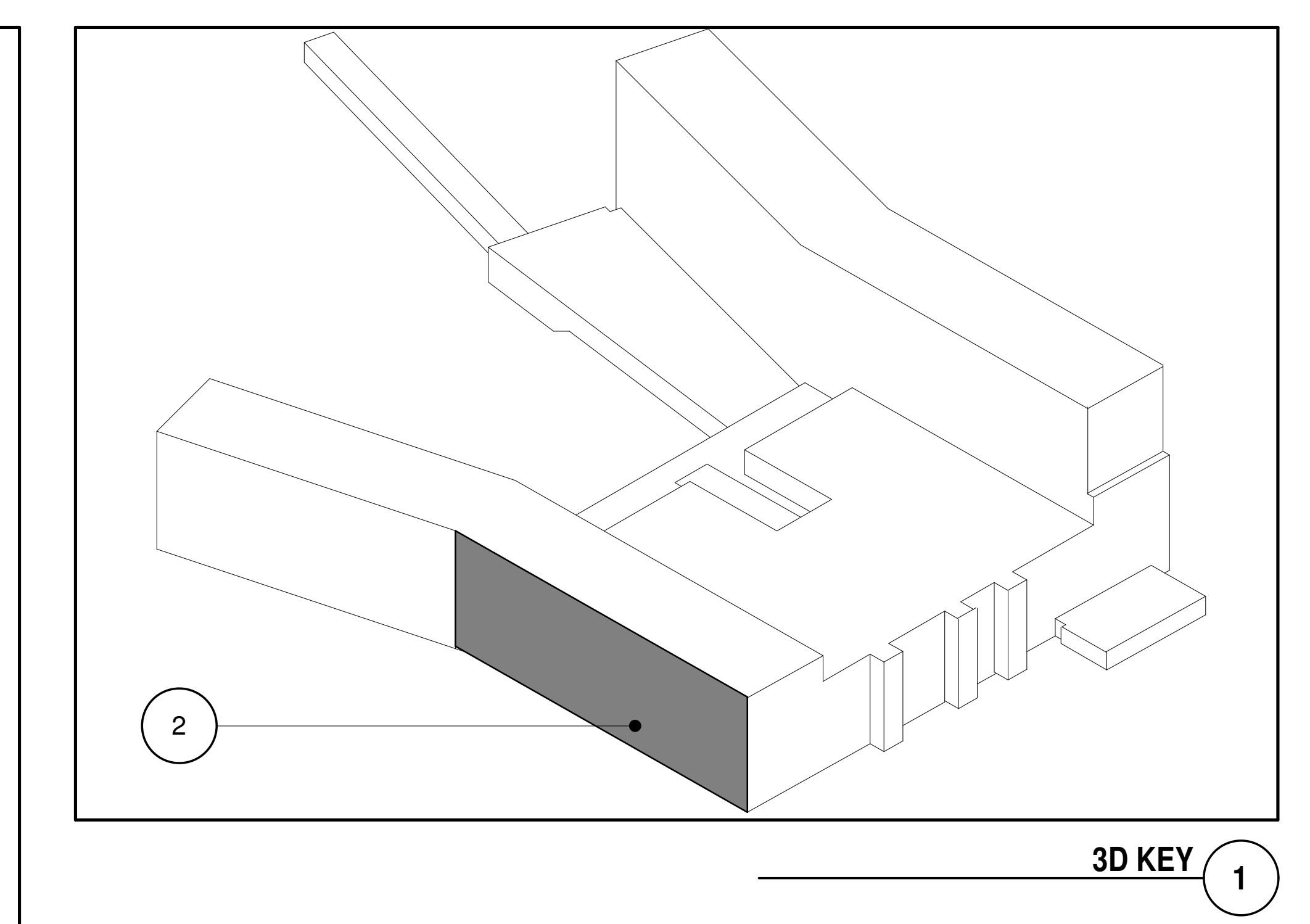
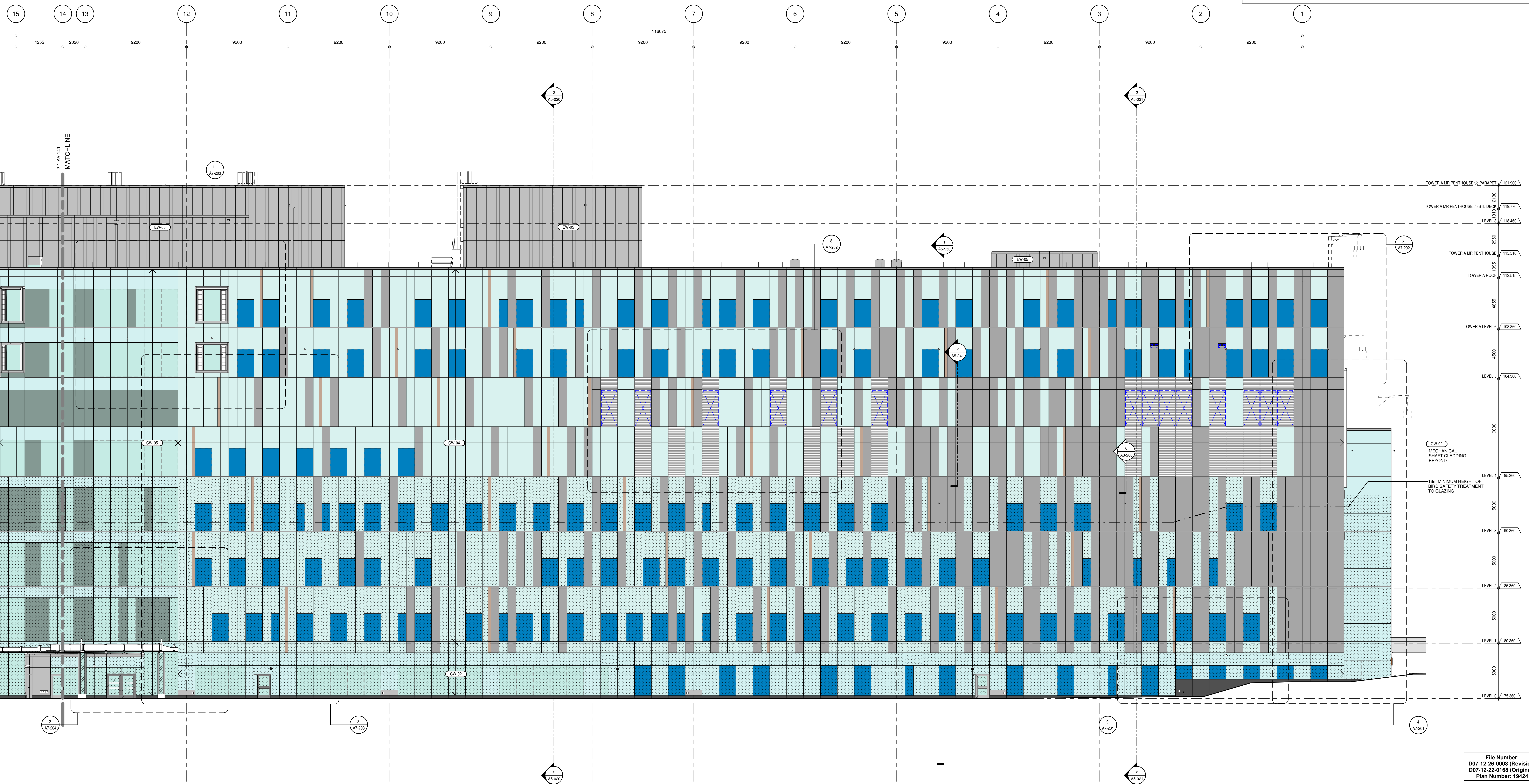


PLOT DATE: 2025/09/15 2:30:05 PM



File Number:  
D07-12-26-0008 (Revision)  
D07-12-22-0168 (Original)  
Plan Number: 19424

**GENERAL NOTES**  
FOR CLADDING GENERAL NOTES, REFER TO A5-110

**PROJECT**  
THE OTTAWA HOSPITAL  
NEW CAMPUS  
DEVELOPMENT -  
PHASE 4 MAIN HOSPITAL  
BUILDING  
900 CARLING AVE. OTTAWA, ONTARIO

**CLIENT**  
The Ottawa Hospital | L'Hôpital d'Ottawa

**Infrastructure Ontario**

**PCL CONSTRUCTION** | **EllisDon**

CLIENT PROJECT NO. **1070002**

**KEY PLAN**  
TRUE NORTH PROJECT NORTH

**REVISIONS**

NO.	DESCRIPTION	DATE
01	01 SITE PLAN CONTROL REVISION SUBMISSION R2	2020-02-07
02	02 DESIGN BUILD BASELINE SUBMISSION	2020-03-05
03	03 95% DD SUBMISSION	2025-09-10

**NOT FOR CONSTRUCTION**  
DISCREPANCIES MUST BE REPORTED IMMEDIATELY TO THE ARCHITECT BEFORE PROCEEDING. ONLY DIMENSIONS SHOWN ON THIS DRAWING ARE TO BE USED. CONTRACTORS MUST CHECK ALL DIMENSIONS ON SITE. THIS DRAWING IS PROTECTED BY COPYRIGHT.  
ALL DIMENSIONS ARE SHOWN IN METRIC.

**AUTHOR**  
**adamson ASSOCIATES ARCHITECTS**  
A Partnership of Corporations

**PROJECT TEAM**  
**DESIGN-BUILDER** PCL A JOINT VENTURE  
**ARCHITECTURAL** PARSON ARCHITECTS LIMITED, JACOBS LAMARCA PRATTE ARCHITECTS, ADAMSON ASSOCIATES ARCHITECTS, 880 ARCHITECTS OTTAWA INC., SIKAS OPEN CANADA INC., BOUTHILLETTE PARDEAU INC.  
**STRUCTURAL** SIKAS OPEN CANADA INC., BOUTHILLETTE PARDEAU INC.  
**MECHANICAL** HX ANGUS & ASSOCIATES LTD., SIKAS OPEN CANADA INC., SIKAS OPEN CANADA INC.  
**ELECTRICAL** MELVEY & BROWN INTERNATIONAL INC.  
**CIVIL** HSP GROUP INC.  
**LANDSCAPE** VERDECO DESIGN INC., PWP LANDSCAPE ARCHITECTURE  
**BUILDING CODE** UMO BUILDING CODE CONSULTANTS LTD.  
AUTHOR PROJECT NO. **2233-00**

**STAMP**

**DRAWING TITLE**  
**PARTIAL TRUE ELEVATIONS WEST**

**DRAWN** AAA-PT **CHECKED** JM  
SCALE AT 4" x 6" DATE 19 SEP 2025  
AS NOTED  
GRAPHIC SCALE 0 10 20 METERS

**DRAWING NO.** **A5-140** **REV. NO.** **03**

**ELEVATION - WEST TRUE ELEVATION TOWER A**  
AS NOTED  
1:100