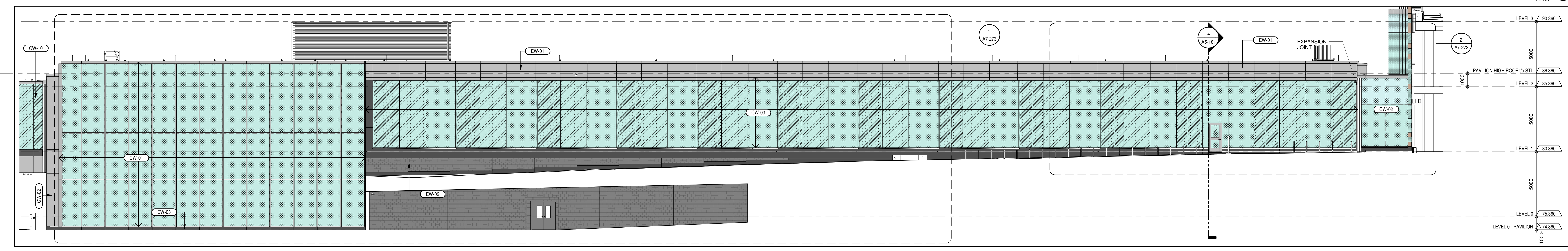


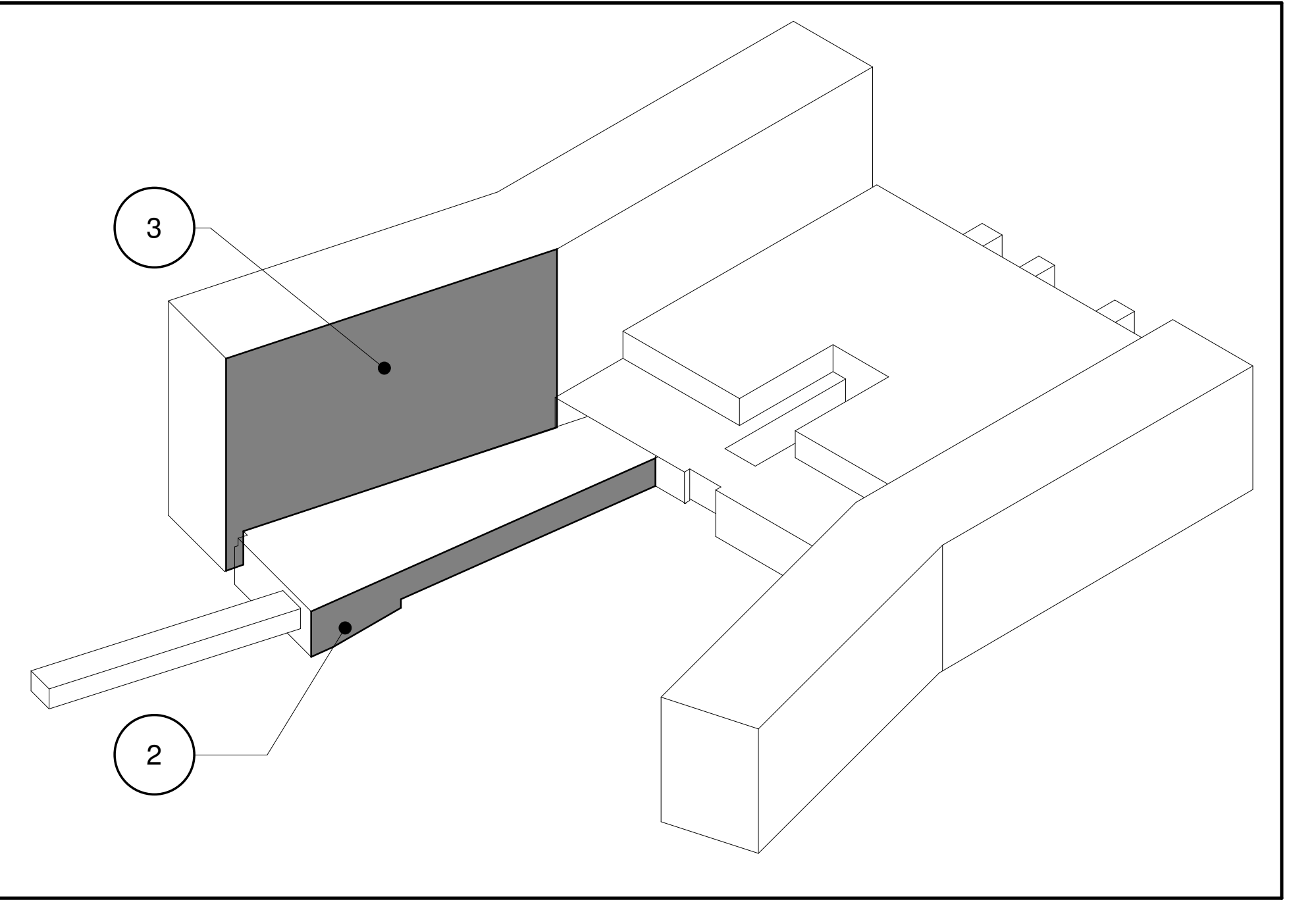
10/16/2025 10:58:15 AM
 10/16/2025 10:58:15 AM
 10/16/2025 10:58:15 AM



ELEVATION - TOWER B WEST TRUE ELEVATION
 AS NOTED
 1:100



ELEVATION - PAVILION TRUE ELEVATION
 AS NOTED
 1:100



3D KEY 1

GENERAL NOTES
 FOR GLAZING GENERAL NOTES, REFER TO A5-110

PROJECT
 THE OTTAWA HOSPITAL
 NEW CAMPUS
 DEVELOPMENT -
 PHASE 4 MAIN HOSPITAL
 BUILDING
 900 CARLING AVE. OTTAWA, ONTARIO

CLIENT
 The Ottawa Hospital | L'Hôpital d'Ottawa

CONSTRUCTION
 PCL | EllisDon

CLIENT PROJECT NO.
 1070002

KEY PLAN
 TRUE NORTH | PROJECT NORTH

REVISIONS

NO.	DATE	DESCRIPTION
01	2020-03-07	01 SITE PLAN CONTROL REVISIONS R2
02	2020-03-09	02 DESIGN BUILD BASELINE SUBMISSION
03	2020-09-10	03 95% DD SUBMISSION
04		04 REVISION

DRAWING STATUS
NOT FOR CONSTRUCTION

DISCREPANCIES MUST BE REPORTED IMMEDIATELY TO THE ARCHITECT BEFORE PROCEEDING. ONLY PLOTTED DIMENSIONS ARE TO BE USED. CONTRACTORS MUST CHECK ALL DIMENSIONS ON SITE. THIS DRAWING IS PROTECTED BY COPYRIGHT.

ALL DIMENSIONS ARE SHOWN IN METRIC.

AUTHOR
 adamson ASSOCIATES ARCHITECTS
 A Partnership of Corporations

PROJECT TEAM
DESIGN-BUILDER POLIED A JOINT VENTURE
ARCHITECTURAL PARON ARCHITECTS LIMITED, ZOOCH/LAMARIE/PATTE ARCHITECTS, ADAMSON ASSOCIATES ARCHITECTS, B&B ARCHITECTS OTTAWA INC., SIKAS/OPEN CANADA INC., BOUTHILLETTE/PARBEAU INC.
STRUCTURAL SIKAS/OPEN CANADA INC., BOUTHILLETTE/PARBEAU INC.
MECHANICAL H&I ANGUS & ASSOCIATES LTD., SIKAS/OPEN CANADA INC.
ELECTRICAL MELVEY & BROWN INTERNATIONAL INC., H&I ANGUS & ASSOCIATES LTD.
CIVIL H&I ANGUS & ASSOCIATES LTD.
LANDSCAPE VERDECO DESIGN INC., P&P LANDSCAPE ARCHITECTURE

BUILDING CODE UMG BUILDING CODE CONSULTANTS LTD.
AUTHOR PROJECT NO. 2233-00

STAMP

DRAWING TITLE
 PARTIAL TRUE ELEVATIONS TOWER B AND PAVILION WEST

DRAWN AAA-PT | **CHECKED** JM
SCALE AT 4" x 6" | **DATE** 19 SEP 2025
AS NOTED

GRAPHIC SCALE 0 1 2 METERS

File Number: D07-12-26-0008 (Revision)
D07-12-23-0168 (Original)
Plan Number: 19424

DRAWING NO. A5-161 | **REV. NO.** 03