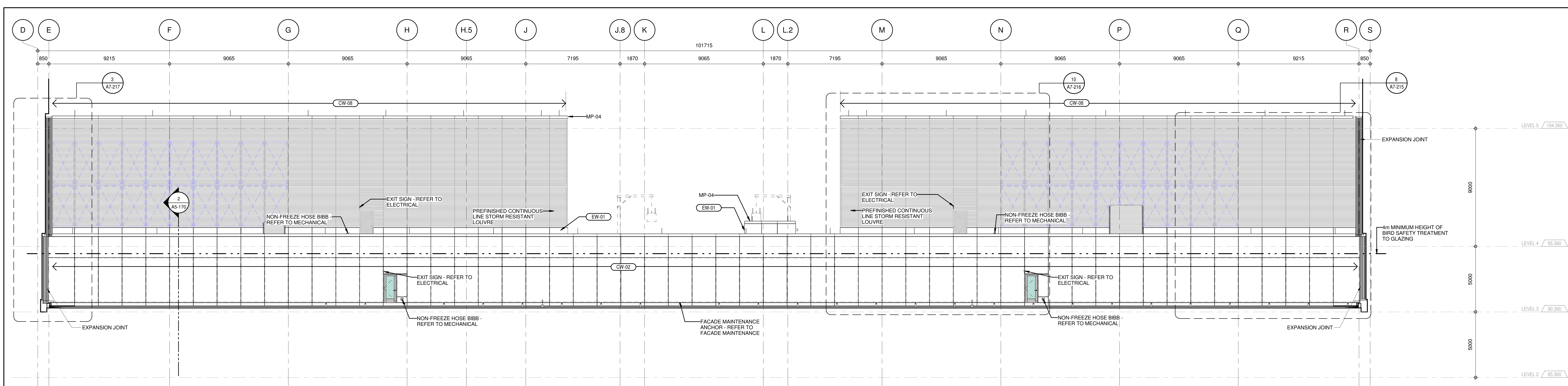
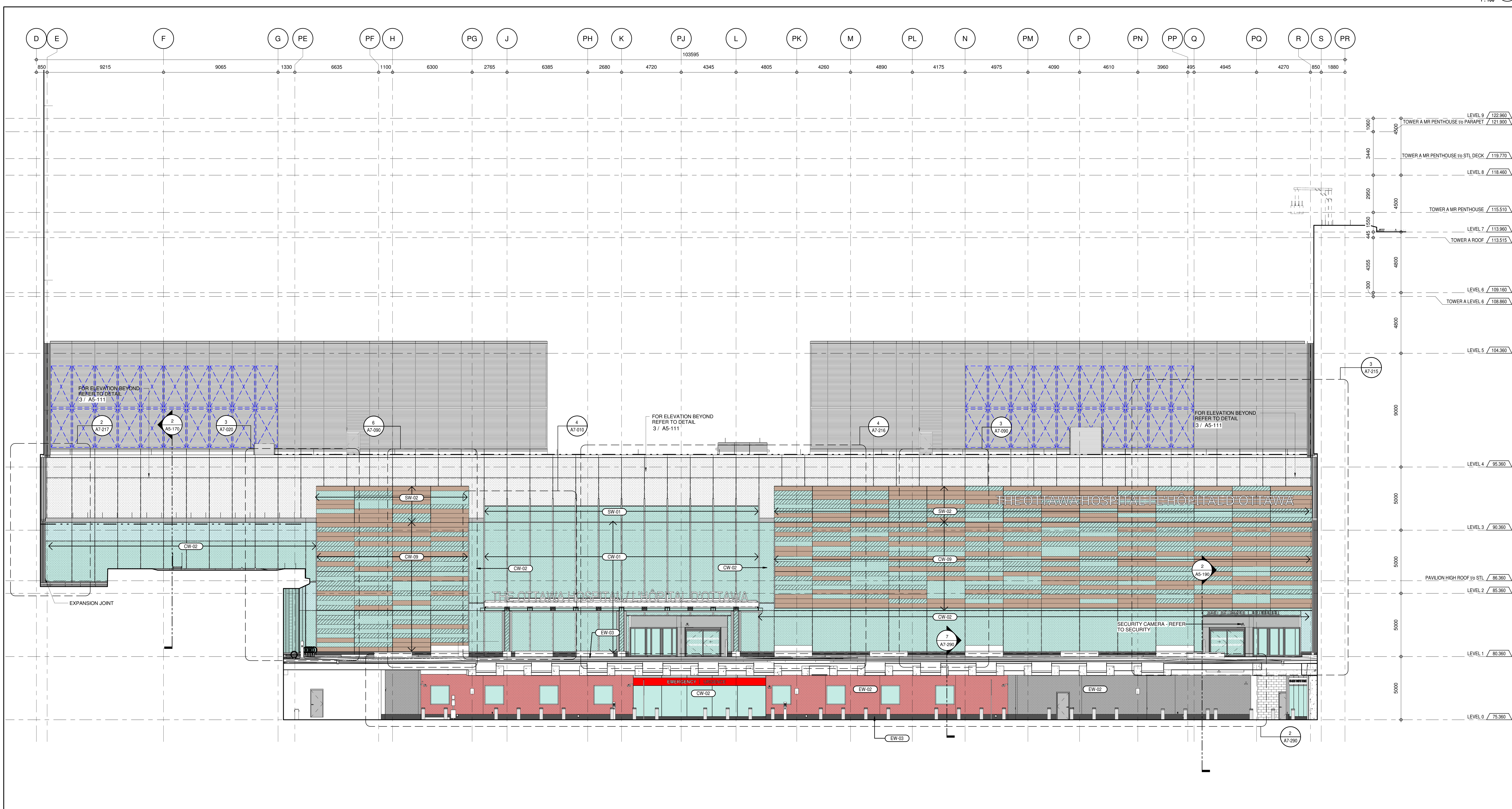


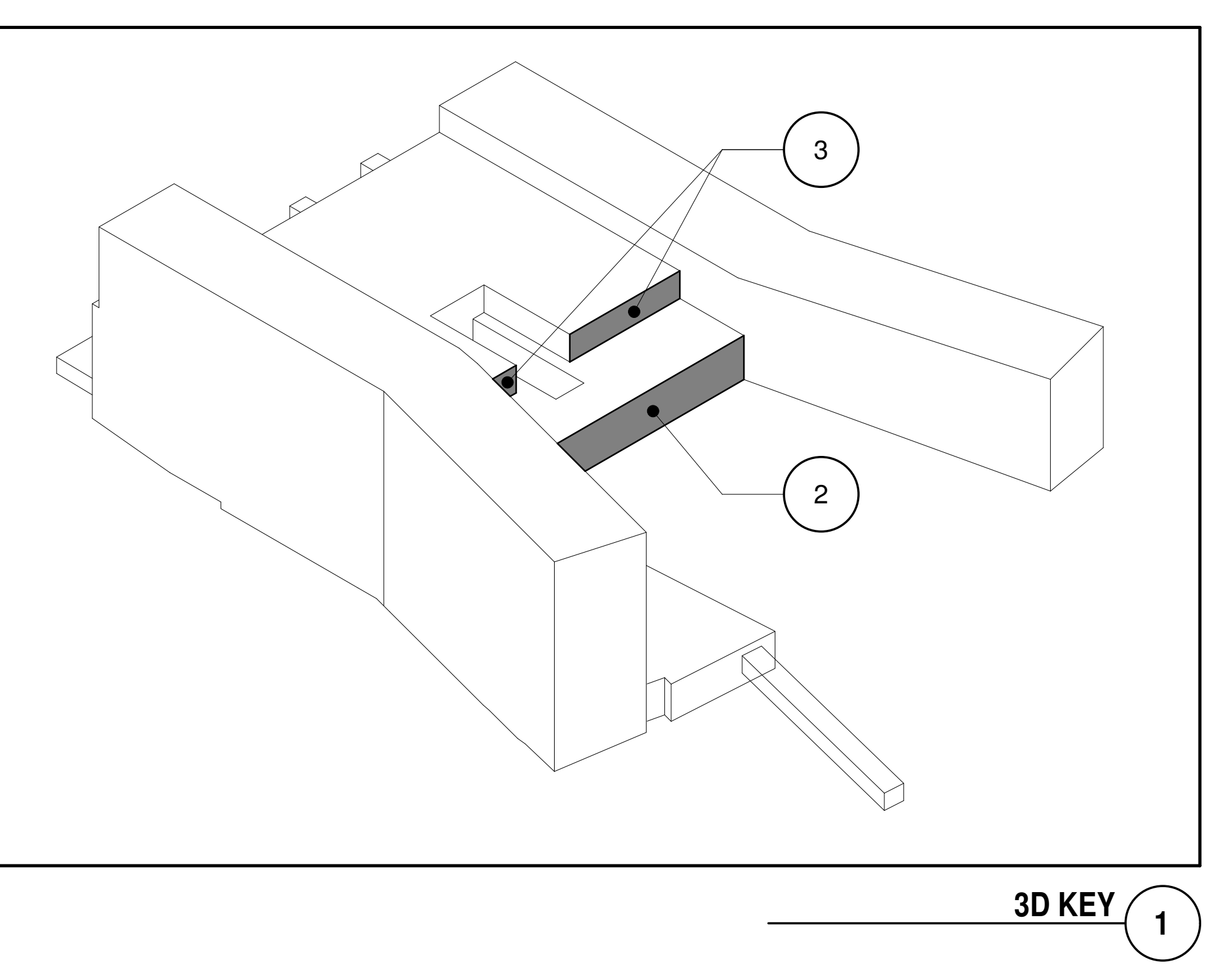
10/16/2024 10:58:15 AM  
 10/16/2024 10:58:15 AM  
 10/16/2024 10:58:15 AM



**ELEVATION - NORTH TRUE ELEVATION PODIUM LEVEL 03**  
 A2-102.3  
 1:100



**ELEVATION - NORTH TRUE ELEVATION PODIUM**  
 A2-102.3  
 1:100



**GENERAL NOTES**  
 FOR CLADDING GENERAL NOTES, REFER TO A5-110

**PROJECT**  
 THE OTTAWA HOSPITAL  
 NEW CAMPUS  
 DEVELOPMENT -  
 PHASE 4 MAIN HOSPITAL  
 BUILDING  
 900 CARLING AVE. OTTAWA, ONTARIO

**CLIENT**  
 The Ottawa Hospital | L'Hôpital d'Ottawa

**CONSTRUCTION**  
 PCL | EllisDon

**CLIENT PROJECT NO.**  
 1070002

**KEY PLAN**  
 TRUE NORTH | PROJECT NORTH

**REVISIONS**

NO.	DESCRIPTION	DATE
03	SITE PLAN CONTROL REGISTRATION RZ	2020-03-07
02	DESIGN BUILD BASELINE SUBMISSION	2020-03-05
01	95% DD SUBMISSION	2020-09-10
00	ISSUED	

**DRAWING STATUS**  
**NOT FOR CONSTRUCTION**

DISCREPANCIES MUST BE REPORTED IMMEDIATELY TO THE ARCHITECT BEFORE PROCEEDING. ONLY DIMENSIONS SHOWN ON THIS DRAWING ARE TO BE USED. CONTRACTORS MUST CHECK ALL DIMENSIONS ON SITE. THIS DRAWING IS PROTECTED BY COPYRIGHT.

ALL DIMENSIONS ARE SHOWN IN METRIC.

**AUTHOR**  
 adamson ASSOCIATES ARCHITECTS  
 A Partnership of Corporations

**PROJECT TEAM**  
**DESIGN-BUILDER** POLIED A JOINT VENTURE  
**ARCHITECTURAL** PARION ARCHITECTS LIMITED  
 JOON LAMARIE PRATTE ARCHITECTS  
 ADAMSON ASSOCIATES ARCHITECTS  
 BRN ARCHITECTS OTTAWA INC.  
**STRUCTURAL** SIALS OPEN CANADA INC.  
 SOUTHLLETTE PARIZAU INC.  
**MECHANICAL** HR ANGLUS & ASSOCIATES LTD.  
 SIALS OPEN CANADA INC.  
**ELECTRICAL** MCKEY & BROWN INTERNATIONAL INC.  
 HSP CANADA INC.  
**CIVIL** HSP CANADA INC.  
**LANDSCAPE** VERTICUS DESIGN INC.  
 PWP LANDSCAPE ARCHITECTURE  
**BUILDING CODE** UMOG BUILDING CODE CONSULTANTS LTD.  
**AUTHOR PROJECT NO.** 2233-00  
**STAMP** STAMP

**DRAWING TITLE**  
**PARTIAL TRUE ELEVATIONS NORTH**

**DRAWN** AAA-PT  
**CHECKED** JM  
**SCALE** AT 42" x 60"  
**DATE** 19 SEP 2025  
**AS NOTED**  
**GRAPHIC SCALE** SCALE IN METERS

**File Number:** D07-12-26-0008 (Revision)  
**D07-12-23-0168 (Original)**  
**Plan Number:** 19424

**A5-111** **03**