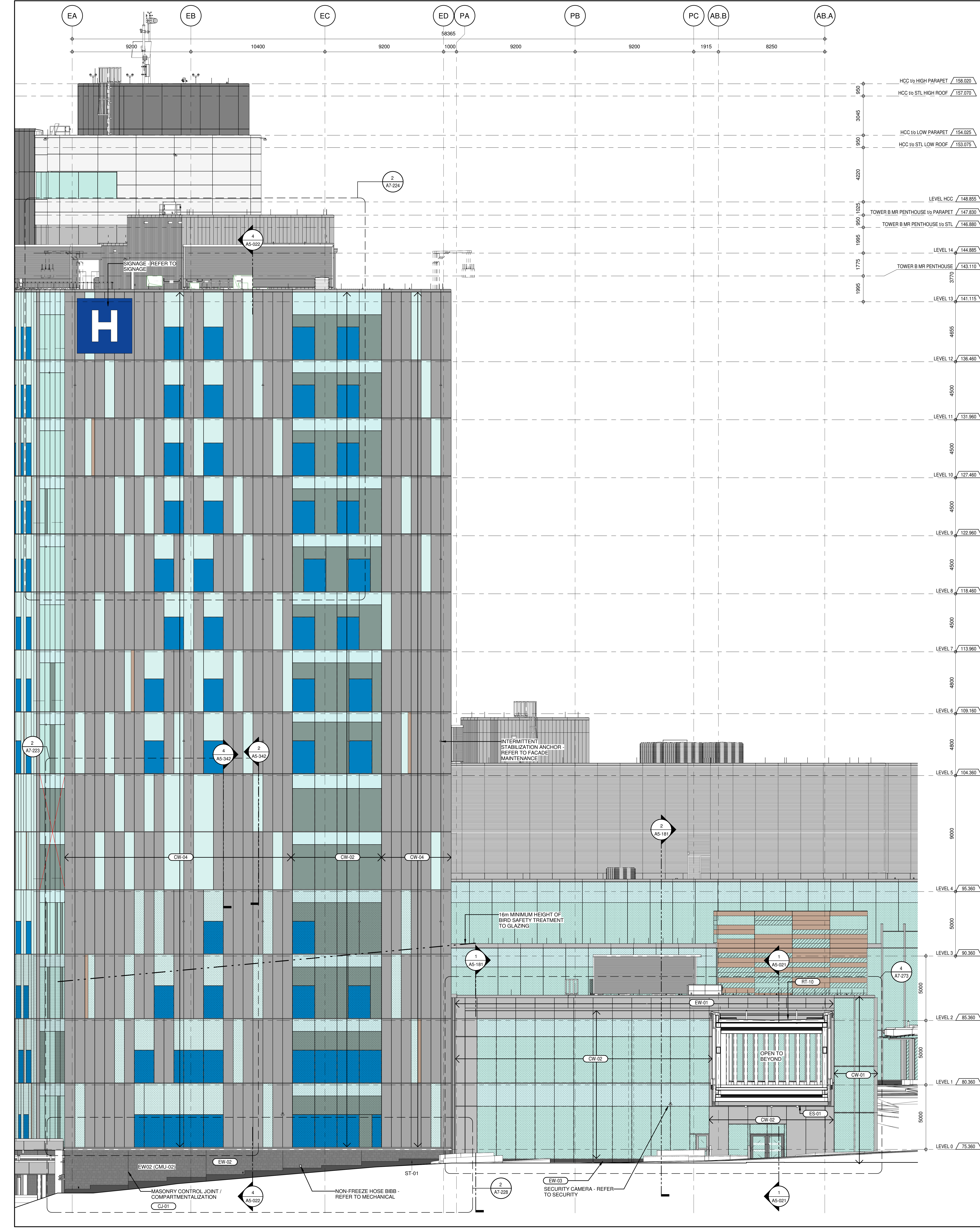
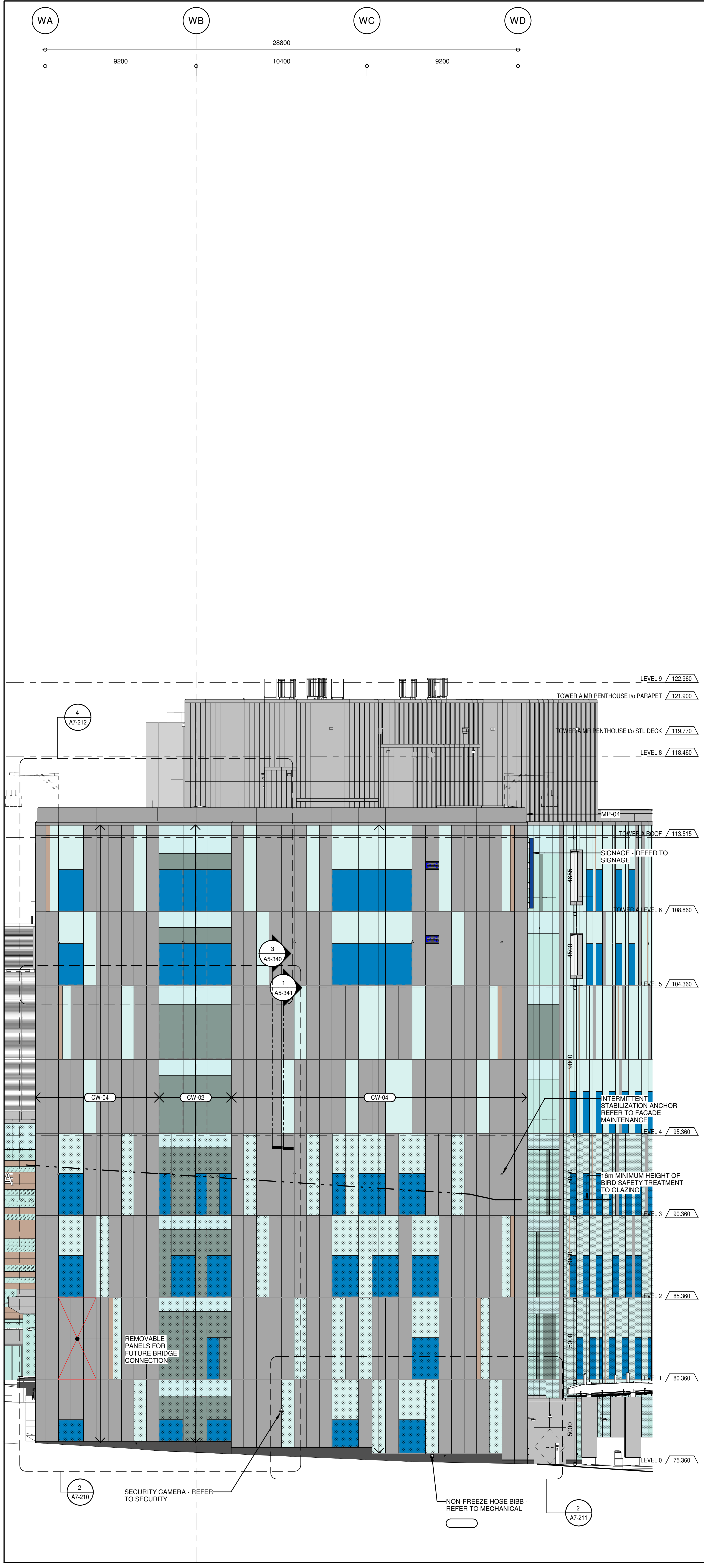


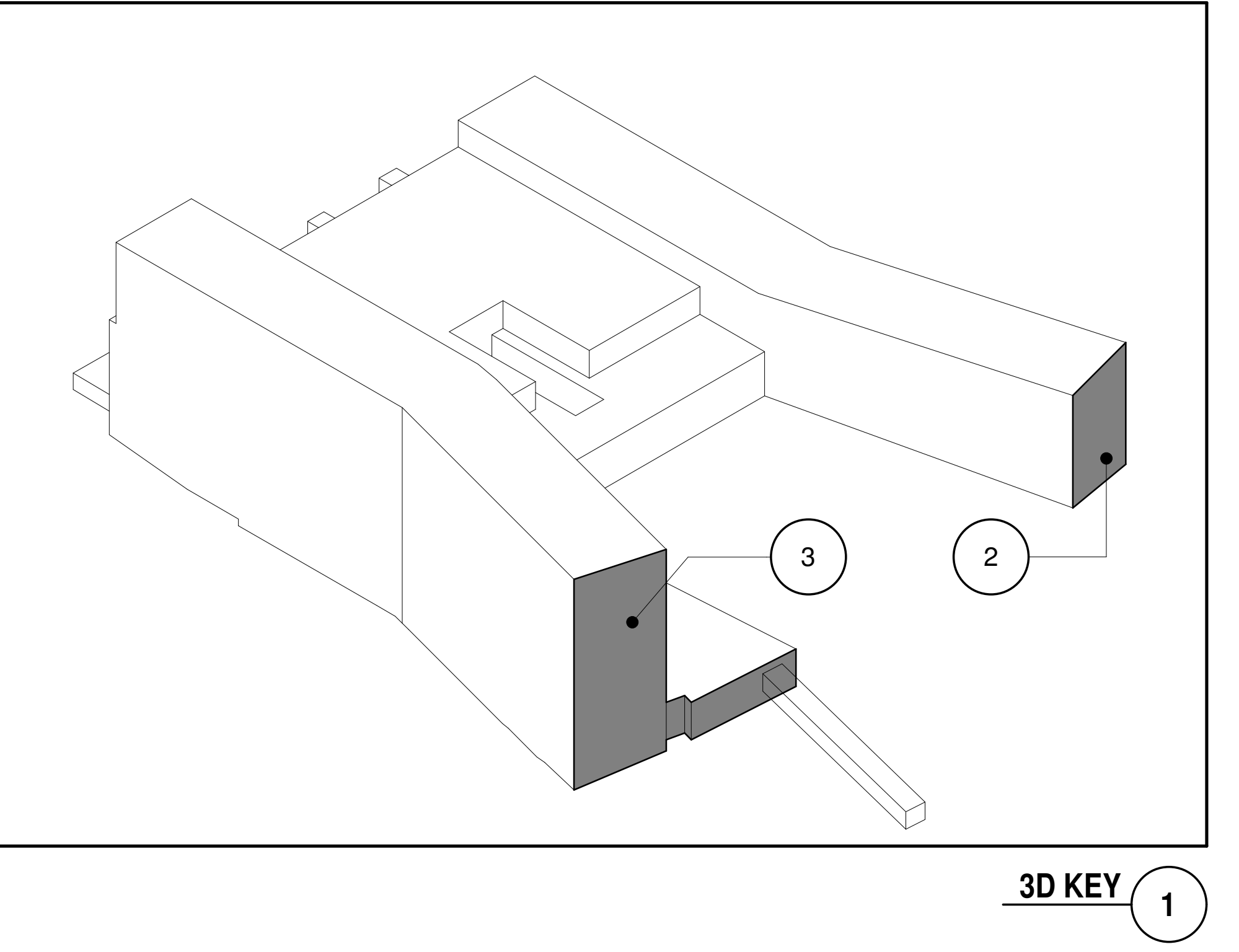
PLOT DATE: 2025-09-19 10:15 AM



**ELEVATION - NORTH TRUE ELEVATION TOWER B**  
A2-100.6  
1:100



**ELEVATION - NORTH TRUE ELEVATION TOWER A**  
A2-100.5  
1:100



**ELEVATION PATTERN DESCRIPTION**

VG-01	VG-04	VG-05	VG-03, VG-10, GL-21

**PANEL TYPES**

VG-01, VG-02	VG-04, VG-05, VG-03, GL-03	VG-06	SG-01, SG-02, SG-06
SG-07	SG-08	PP-01	MP-01, MP-02, MP-03, MP-04, MP-20
PT-01, PT-02, PT-03, PT-04			
GL-01, GL-02, GL-04	MP-05	VG-08, VG-09	SG-05

**PROJECT**  
THE OTTAWA HOSPITAL  
NEW CAMPUS  
DEVELOPMENT -  
PHASE 4 MAIN HOSPITAL  
BUILDING  
900 CARLING AVE. OTTAWA, ONTARIO

**CLIENT**  
The Ottawa Hospital | L'Hôpital d'Ottawa

**INFRASTRUCTURE ONTARIO**

**CONSTRUCTION**  
PCL | EllisDon

**CLIENT PROJECT NO.**  
1070002

**KEY PLAN**  
TRUE NORTH | PROJECT NORTH

**03 SITE PLAN CONTROL REGISTRATION RZ** 2020-03-01  
**02 DESIGN BUILD BASELINE SUBMISSION** 2020-03-01  
**01 95% DD SUBMISSION** 2020-09-19  
 RZ2

**REVISIONS**

NO.	DESCRIPTION	DATE

**NOT FOR CONSTRUCTION**  
DISCREPANCIES MUST BE REPORTED IMMEDIATELY TO THE ARCHITECT BEFORE PROCEEDING. ONLY DIMENSIONS SHOWN ON THIS DRAWING IS PROTECTED BY COPYRIGHT.  
ALL DIMENSIONS ARE SHOWN IN METRIC.

**AUTHOR**  
adamson ASSOCIATES ARCHITECTS  
A Partnership of Corporations

**PROJECT TEAM**  
**DESIGN-BUILDER** POLVED A JOINT VENTURE  
**ARCHITECTURAL** PARION ARCHITECTS LIMITED, ZOOULIUMARIE PRATTE ARCHITECTS, ADAMSON ASSOCIATES ARCHITECTS, BBO ARCHITECTS OTTAWA INC.  
**STRUCTURAL** SIALO OPEN CANADA INC., BOUTHILLETTE PARBEAU INC.  
**MECHANICAL** HH ANGUS & ASSOCIATES LTD., SIALO OPEN CANADA INC.  
**ELECTRICAL** MELVEY & SWAN INTERNATIONAL INC., HSP CANADA INC.  
**CIVIL** HSP CANADA INC.  
**LANDSCAPE** VERDECO DESIGN INC., PWP LANDSCAPE ARCHITECTURE  
**BUILDING CODE** UMOG BUILDING CODE CONSULTANTS LTD.  
**AUTHOR PROJECT NO.** 2233-00

**DRAWING TITLE**  
PARTIAL TRUE ELEVATIONS NORTH

**DRAWN** AAA-PT | **CHECKED** JM  
**SCALE** AT 45° x 65° | **DATE** 19 SEP 2025  
**GRAPHIC SCALE** 0 1 2 METERS

**File Number:** D07-12-26-0008 (Revision)  
**D07-12-23-0108 (Original)**  
**Plan Number:** 19424

**DRAWING NO.** A5-110 | **REV. NO.** 03