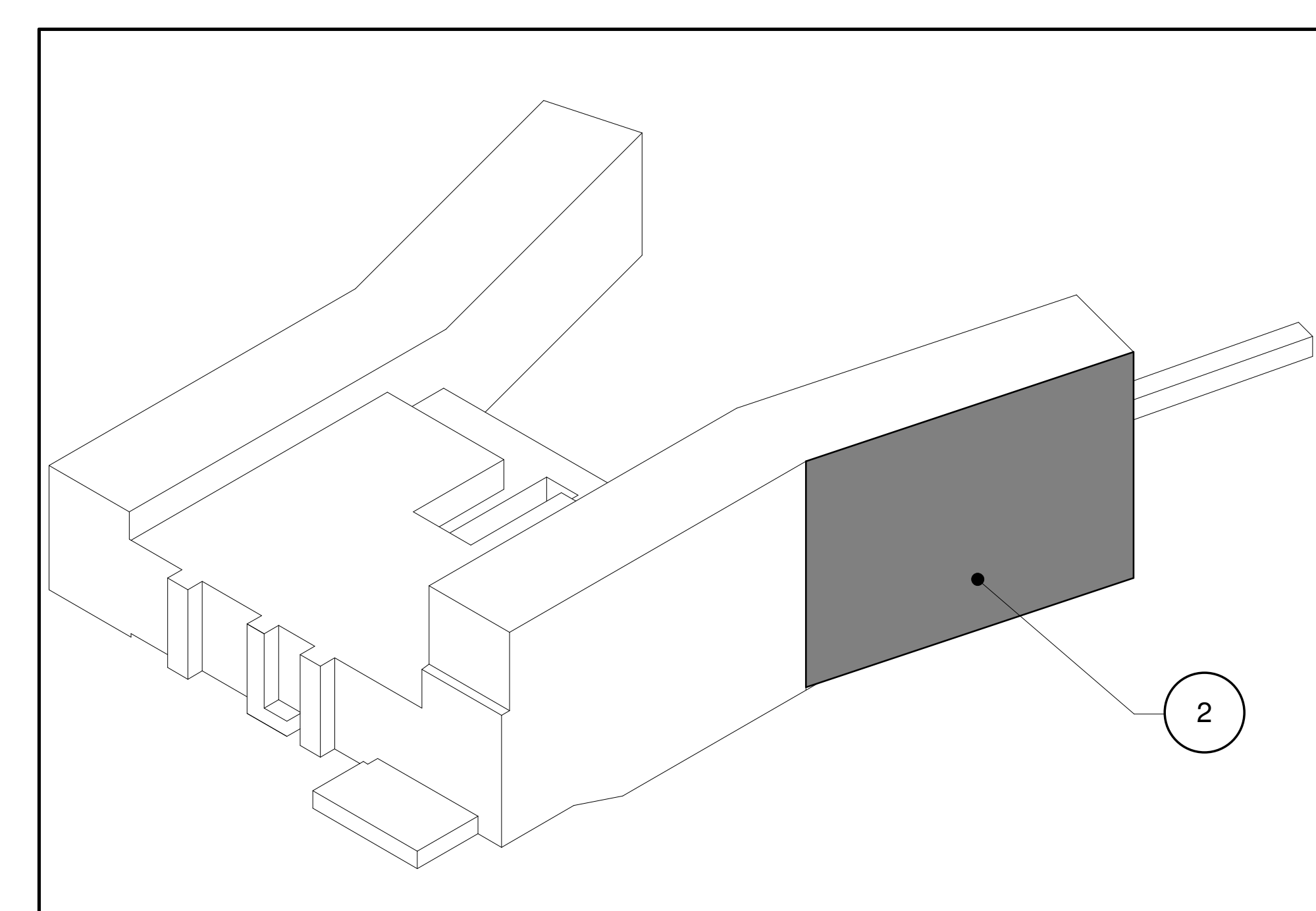
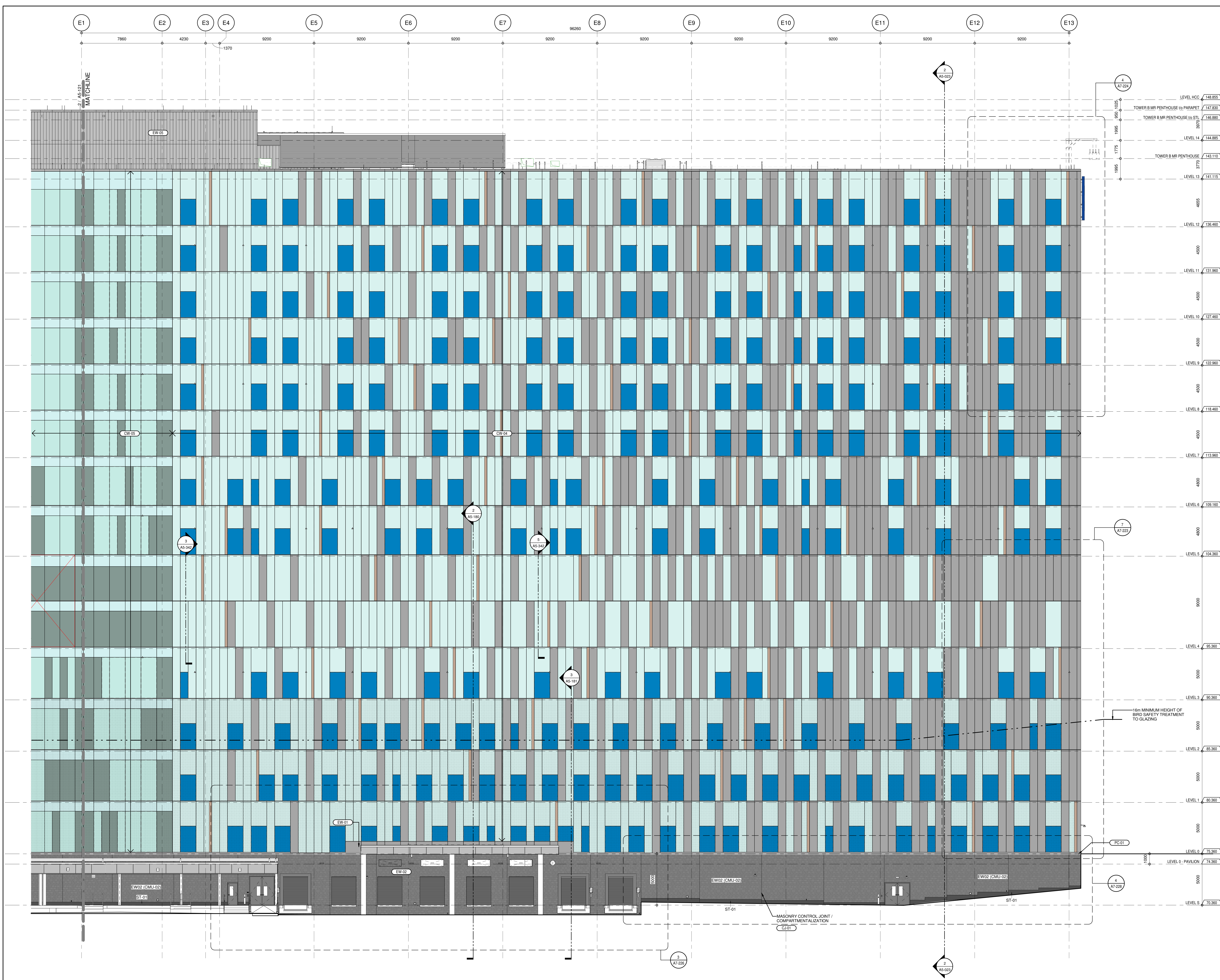


1916 (REV. 1/20) 1857 (REV. 1/20) CUSTOMER SHEET SIZE  
 PLOT DATE: 2025/08/21 04:14 PM



**GENERAL NOTES**  
 FOR CLADDING GENERAL NOTES, REFER TO AS-110

**PROJECT**  
 THE OTTAWA HOSPITAL  
 NEW CAMPUS  
 DEVELOPMENT -  
 PHASE 4 MAIN HOSPITAL  
 BUILDING  
 900 CARLING AVE. OTTAWA, ONTARIO

**CLIENT**  
 The Ottawa Hospital | L'Hôpital d'Ottawa

**CONSTRUCTION**  
 PCL | EllisDon

**CLIENT PROJECT NO.**  
 1070002

**KEY PLAN**  
 TRUE NORTH | PROJECT NORTH

**REVISIONS**

NO.	DATE	DESCRIPTION
01	2020-02-07	01 SITE PLAN CONTROL REGISTRATION RZ
02	2020-03-05	02 DESIGN BUILD BASELINE SUBMISSION
03	2020-09-10	03 95% DD SUBMISSION
04		04 ISSUED

**NOT FOR CONSTRUCTION**  
 DISCREPANCIES MUST BE REPORTED IMMEDIATELY TO THE ARCHITECT BEFORE PROCEEDING. ONLY DIMENSIONS SHOWN ON THIS DRAWING ARE TO BE USED. CONTRACTORS MUST CHECK ALL DIMENSIONS ON SITE. THIS DRAWING IS PROTECTED BY COPYRIGHT.  
 ALL DIMENSIONS ARE SHOWN IN METRIC.

**AUTHOR**  
 adamson ASSOCIATES ARCHITECTS  
 A Partnership of Corporations

**PROJECT TEAM**  
**DESIGN-BUILDER** POLIED A JOINT VENTURE  
**ARCHITECTURAL** PARON ARCHITECTS LIMITED, ZOOCH/LAMARIE PRATTE ARCHITECTS, ADAMSON ASSOCIATES ARCHITECTS, 888 ARCHITECTS OTTAWA INC., SIKAS OPEN CANADA INC., BOUTHELLETTE PARIZEAU INC.  
**STRUCTURAL** SIKAS OPEN CANADA INC., BOUTHELLETTE PARIZEAU INC.  
**MECHANICAL** HSI ANGUS & ASSOCIATES LTD., SIKAS OPEN CANADA INC.  
**ELECTRICAL** MELVEY & BROWN INTERNATIONAL INC., HSP SIMON INC.  
**CIVIL** HSP SIMON INC.  
**LANDSCAPE** VERTECOAS DESIGN INC., PWP LANDSCAPE ARCHITECTURE  
**BUILDING CODE** UMO BUILDING CODE CONSULTANTS LTD.  
**AUTHOR PROJECT NO.** 2233-00

**STAMP**

**DRAWING TITLE**  
 PARTIAL TRUE ELEVATIONS EAST

DRAWN	CHECKED
AAA-PT	JM

**SCALE** AT 4" = 6' 6"  
 AS NOTED  
 DATE 19 SEP 2025  
 GRAPHIC SCALE: 0 10 20 METERS

**DRAWING NO.** A5-120  
**REV. NO.** 03

**File Number:** D07-12-26-0008 (Revision)  
**D07-12-23-0168 (Original)**  
**Plan Number: 19424**

**ELEVATION - EAST TRUE ELEVATION TOWER B**  
 AC-1853  
 1:100