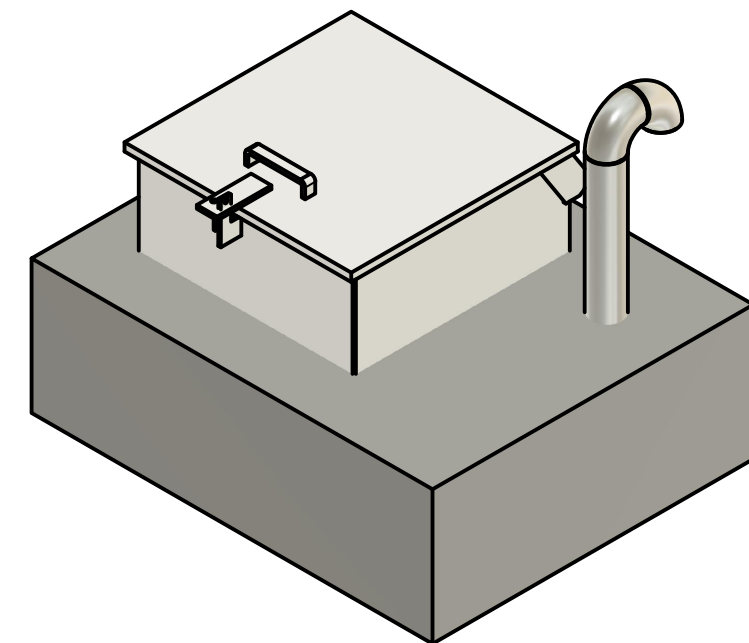
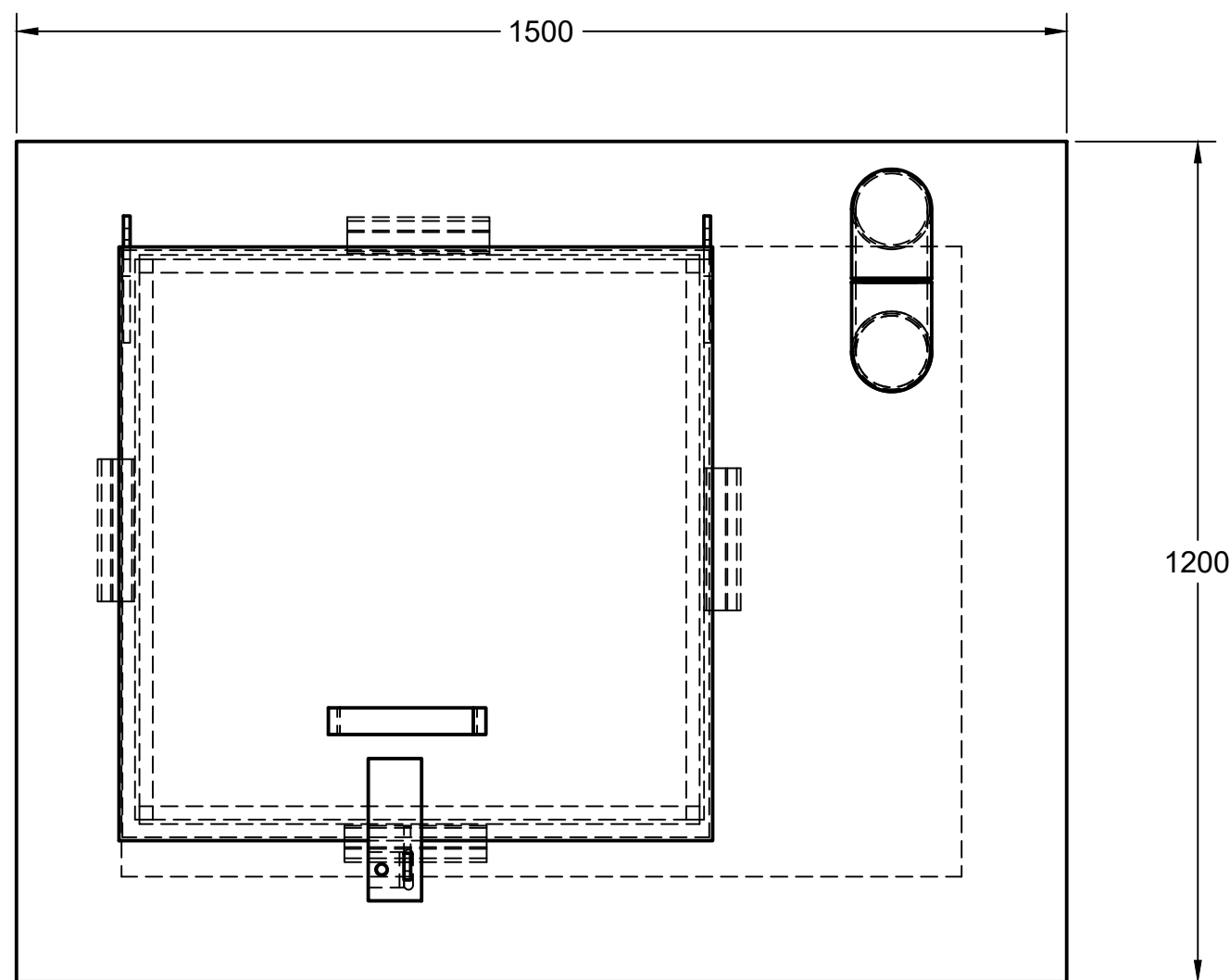


4

3

2

1



D

D

C

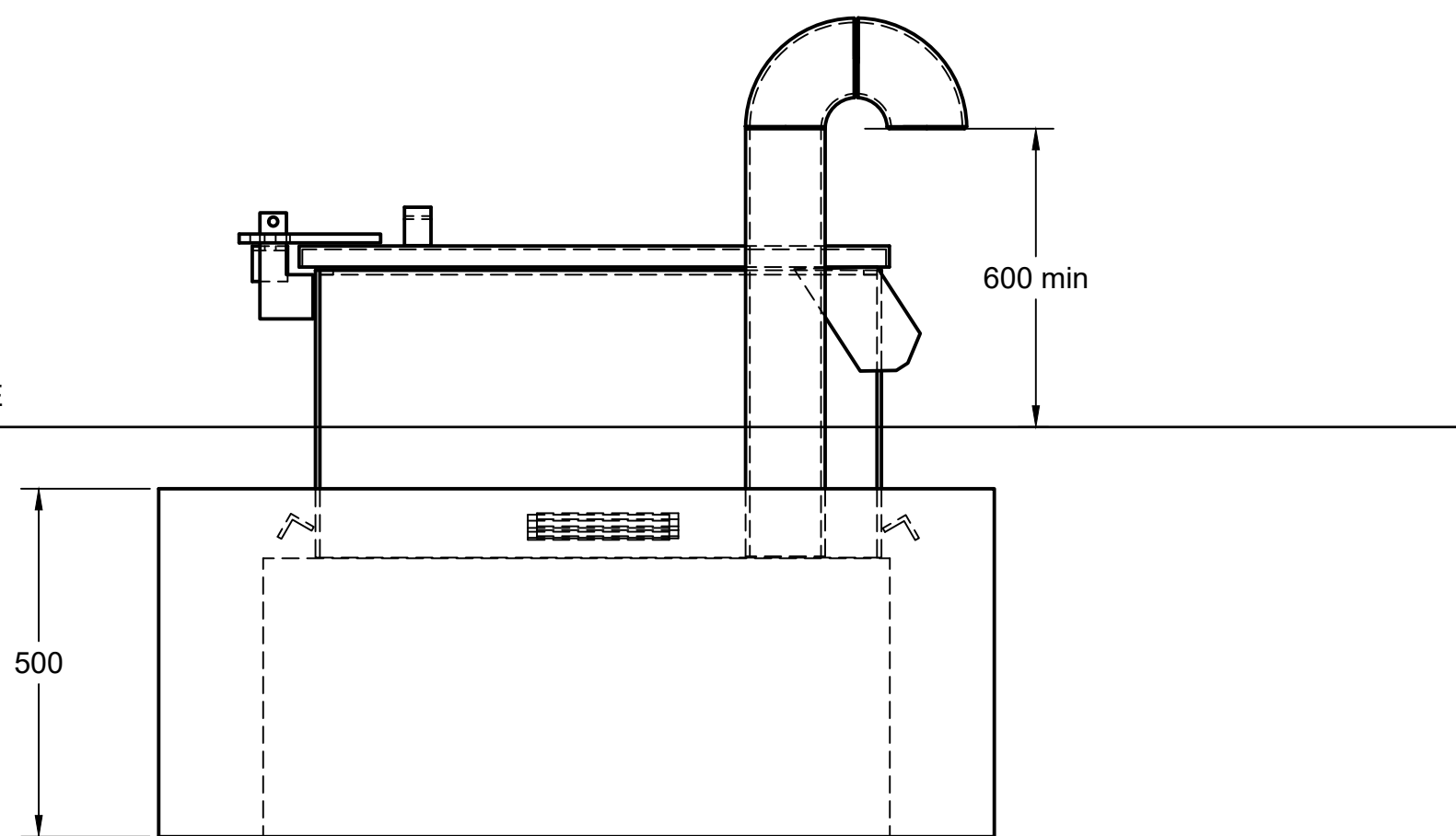
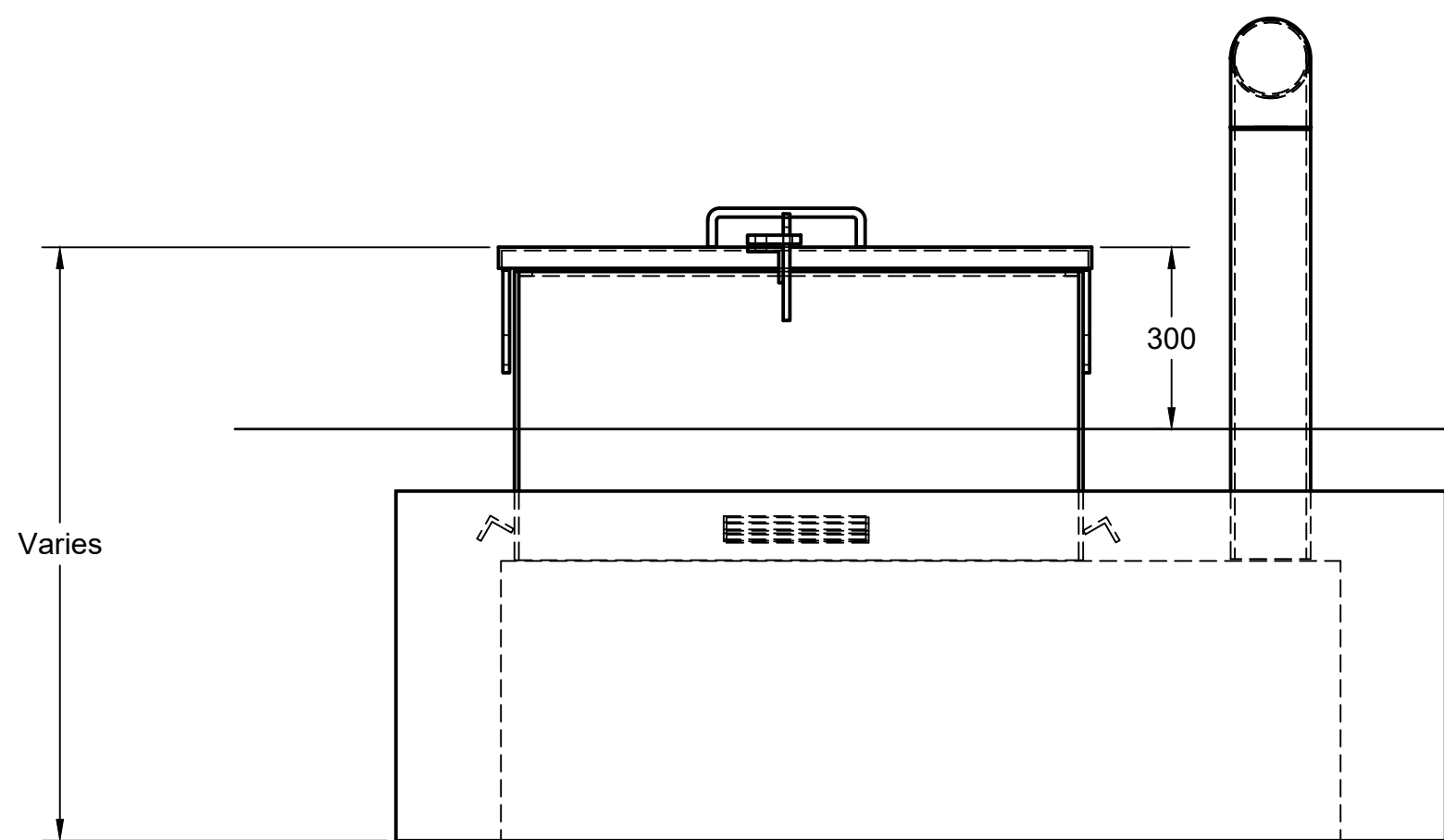
C

B

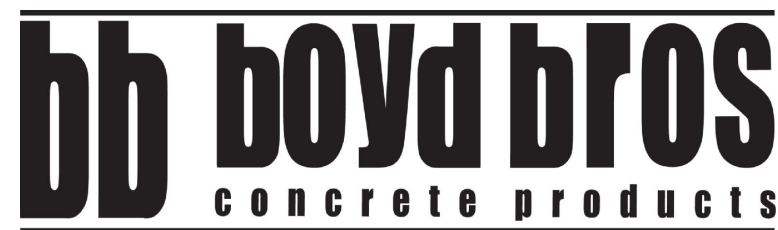
B

A

A



FINISHED GRADE



5450 Cuddy St Osgoode, ON K0A 2W0
 tel: (613) 826.2318 fax: (613) 826.3679
 toll free: 888.846.6664
 website: www.boydbrosconcrete.ca
 email: info@boydbrosconcrete.ca

PROJECT
Fire Reservoir - Secondary Tank

TITLE
Sample Riser w Vent

DRAWN Rob Sanna 2021-01-27 APPROVED

SIZE C	DWG NAME	REV
-----------	----------	-----

SCALE 1:10	WEIGHT	SHEET 1/1
------------	--------	-----------

4

3

2

1