

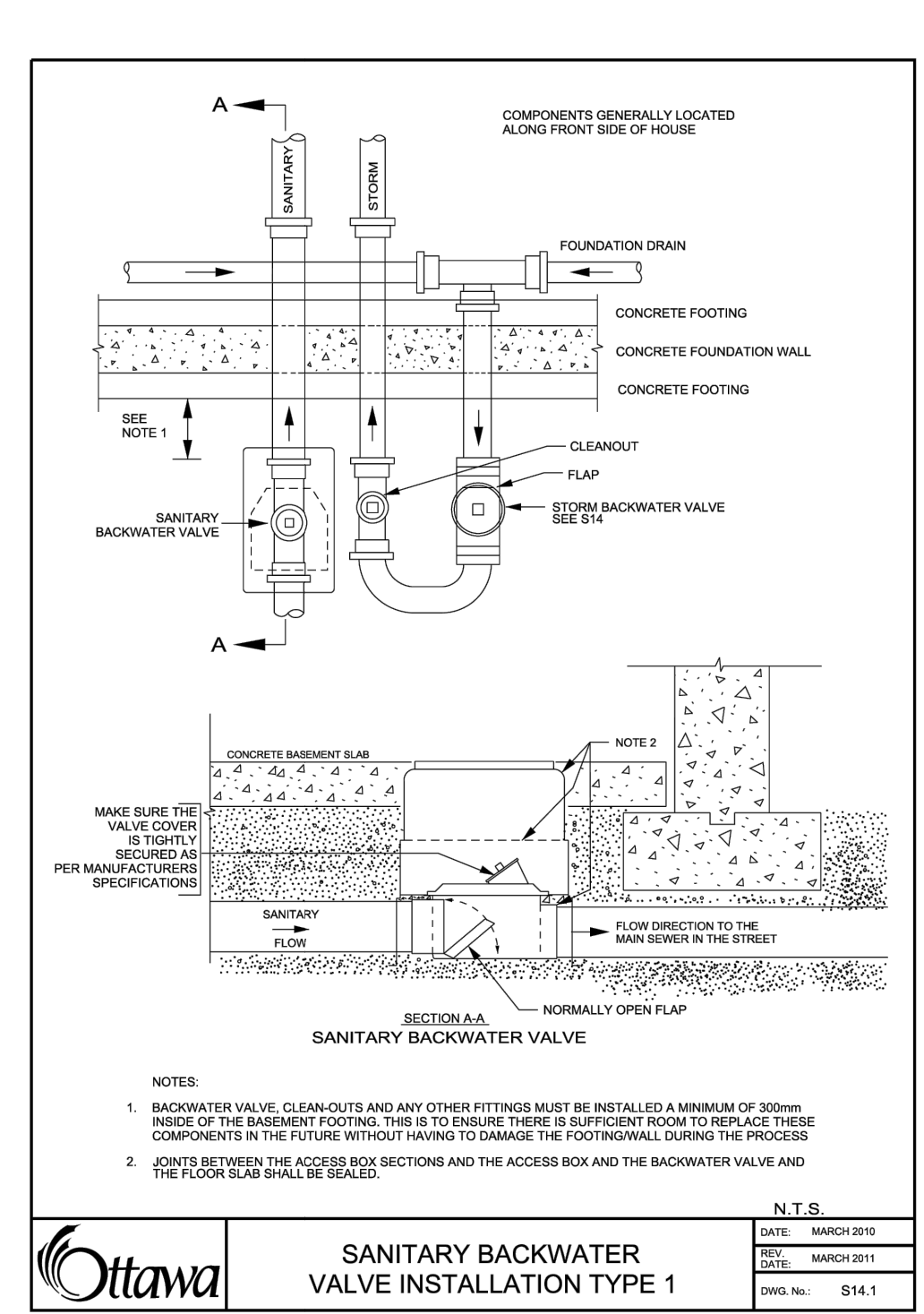
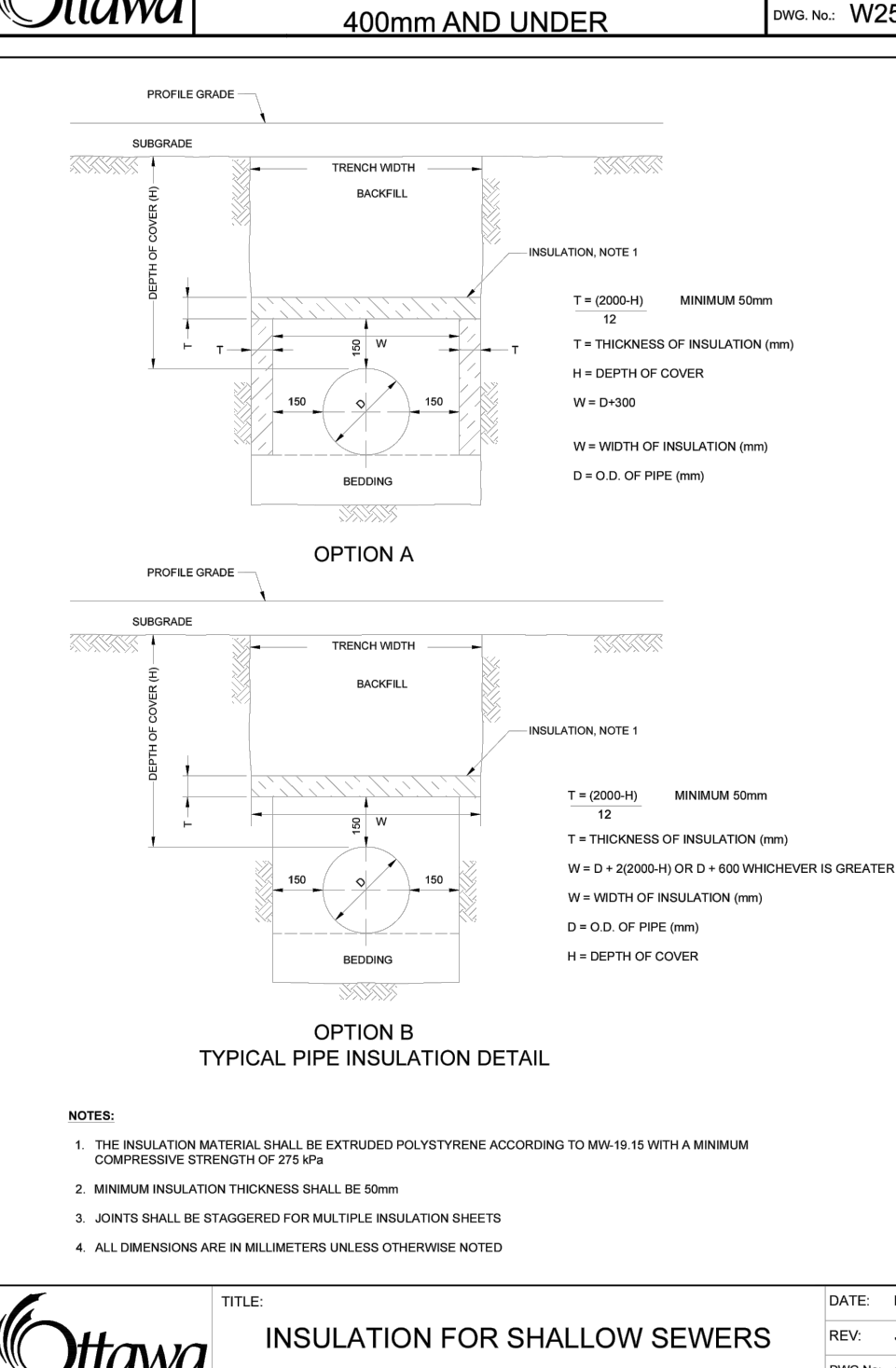
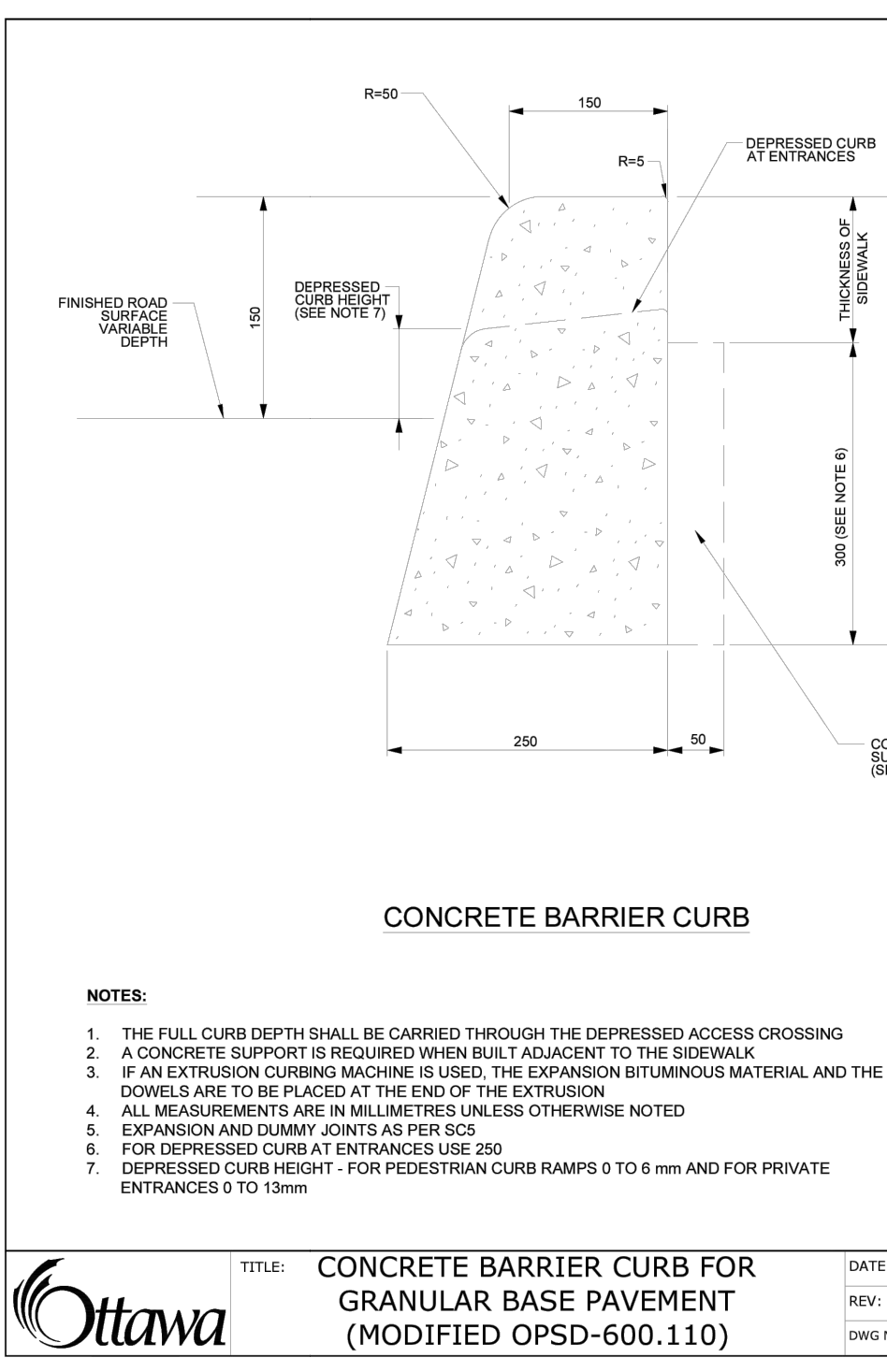
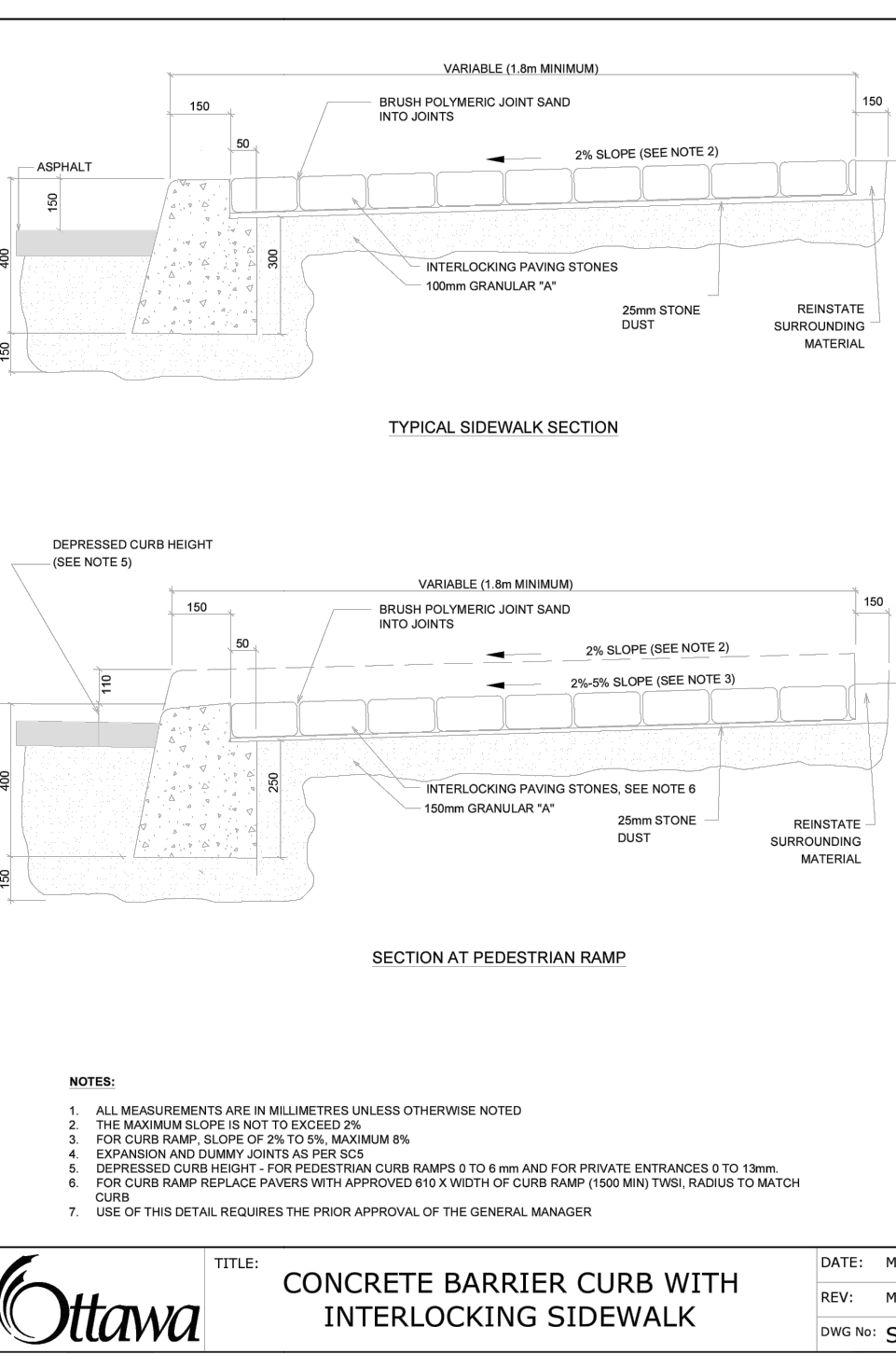
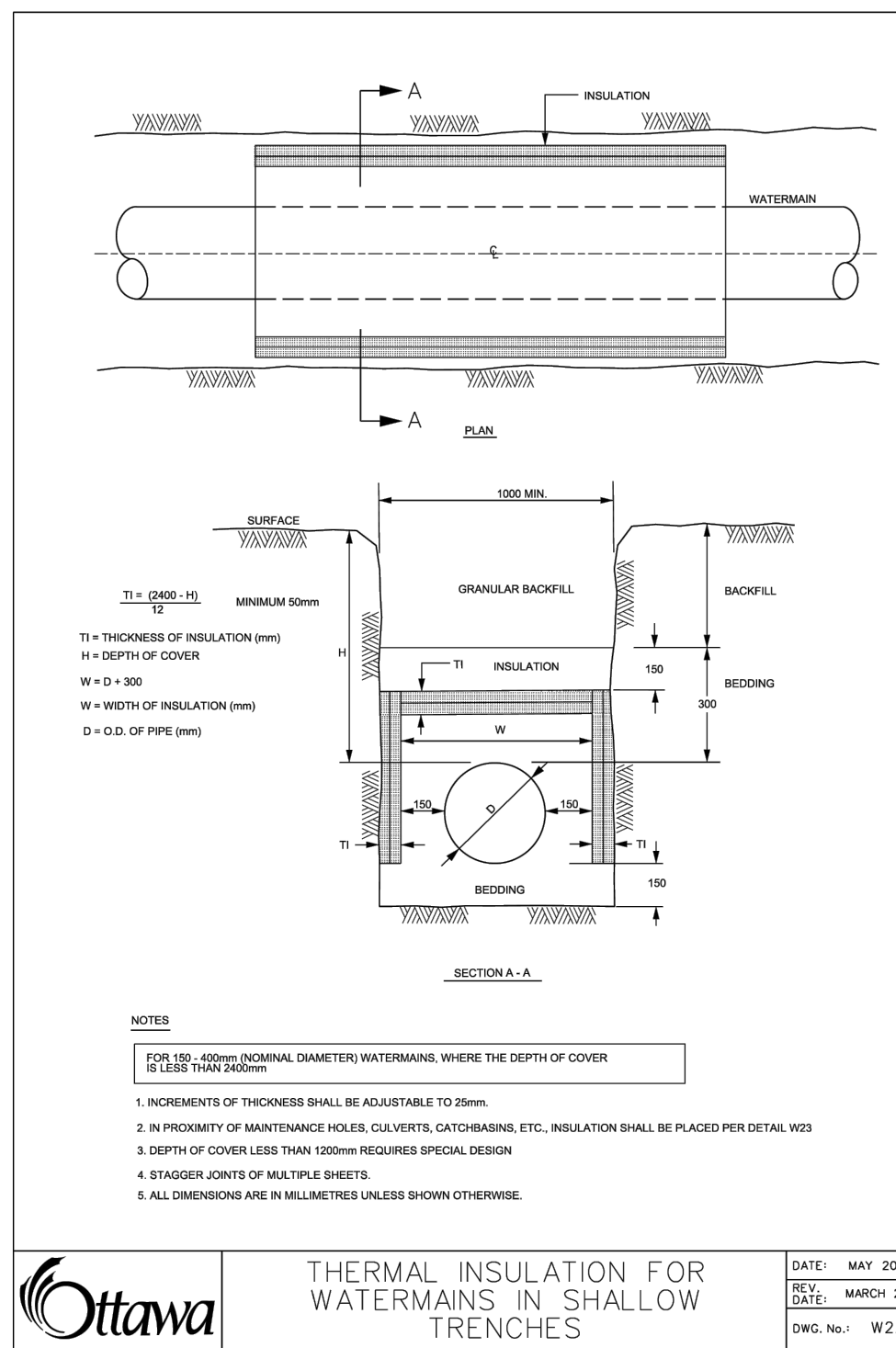
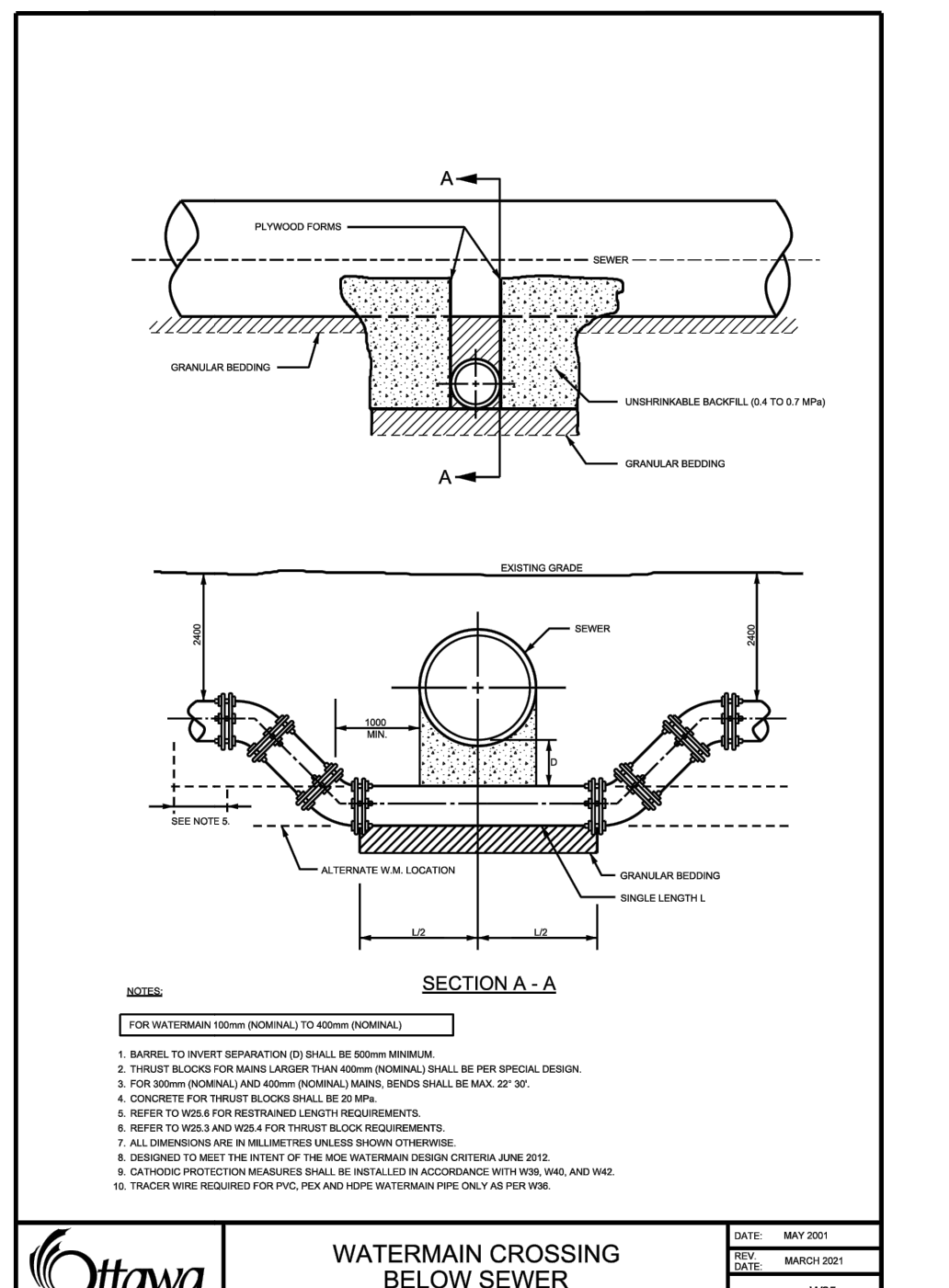
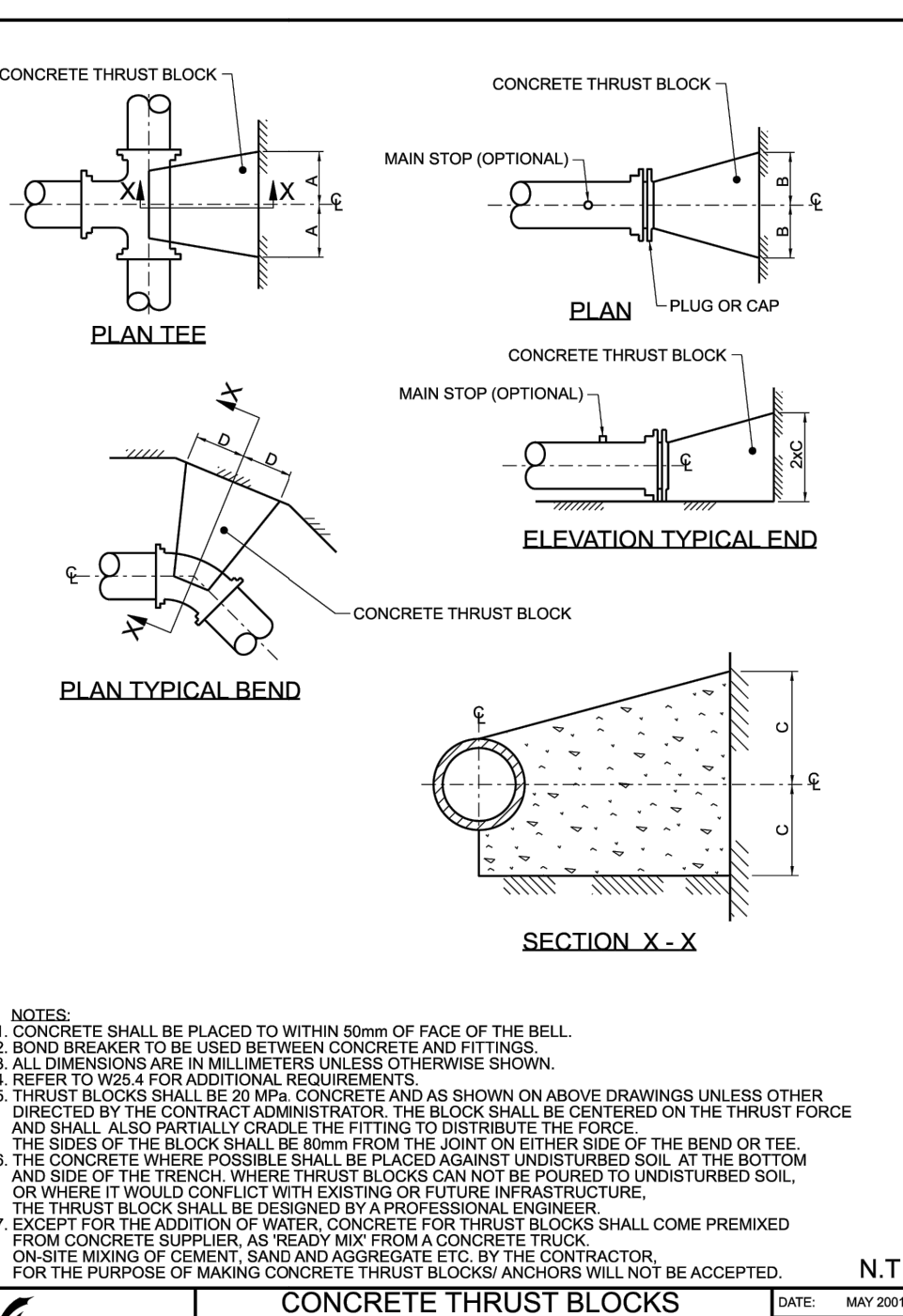
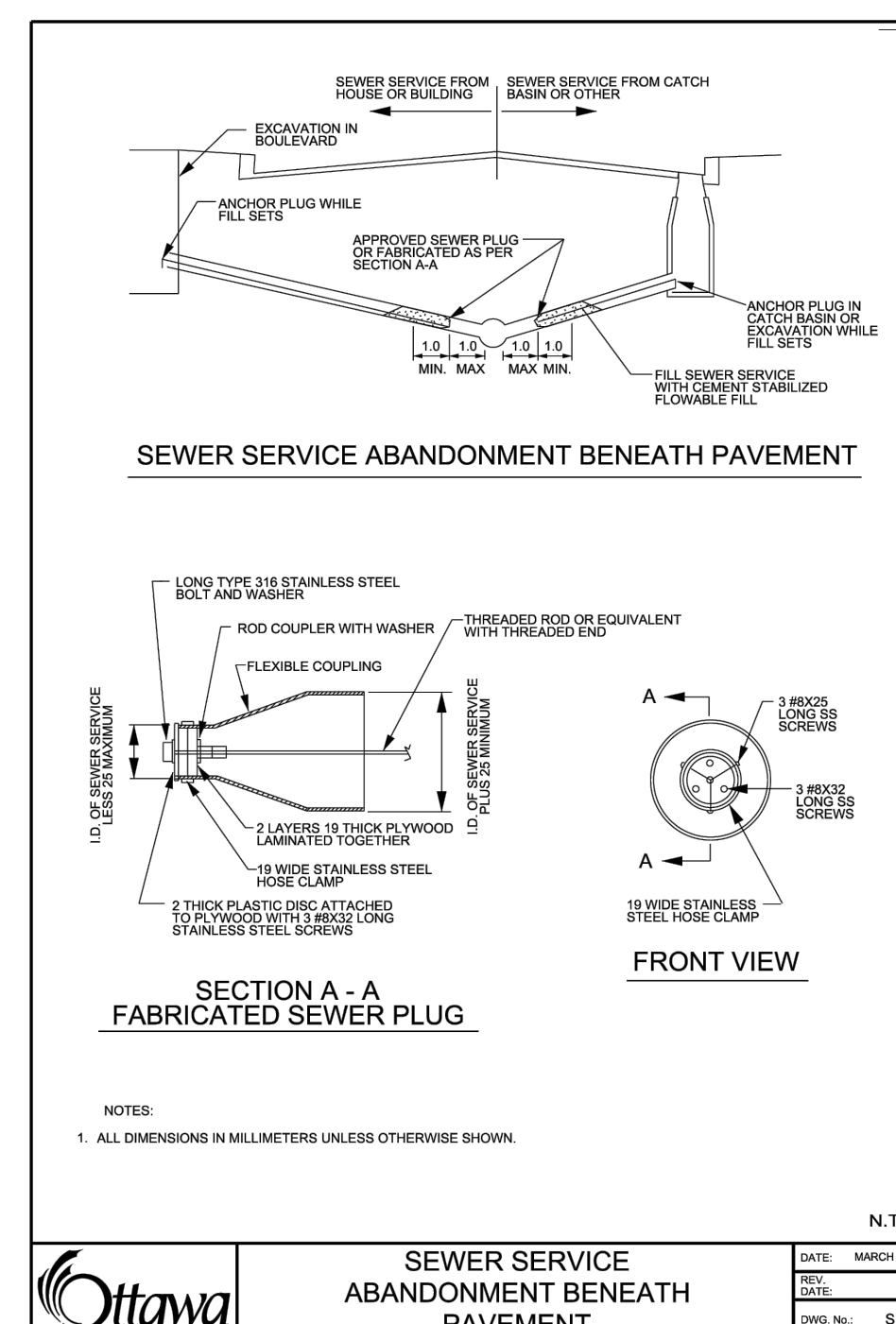
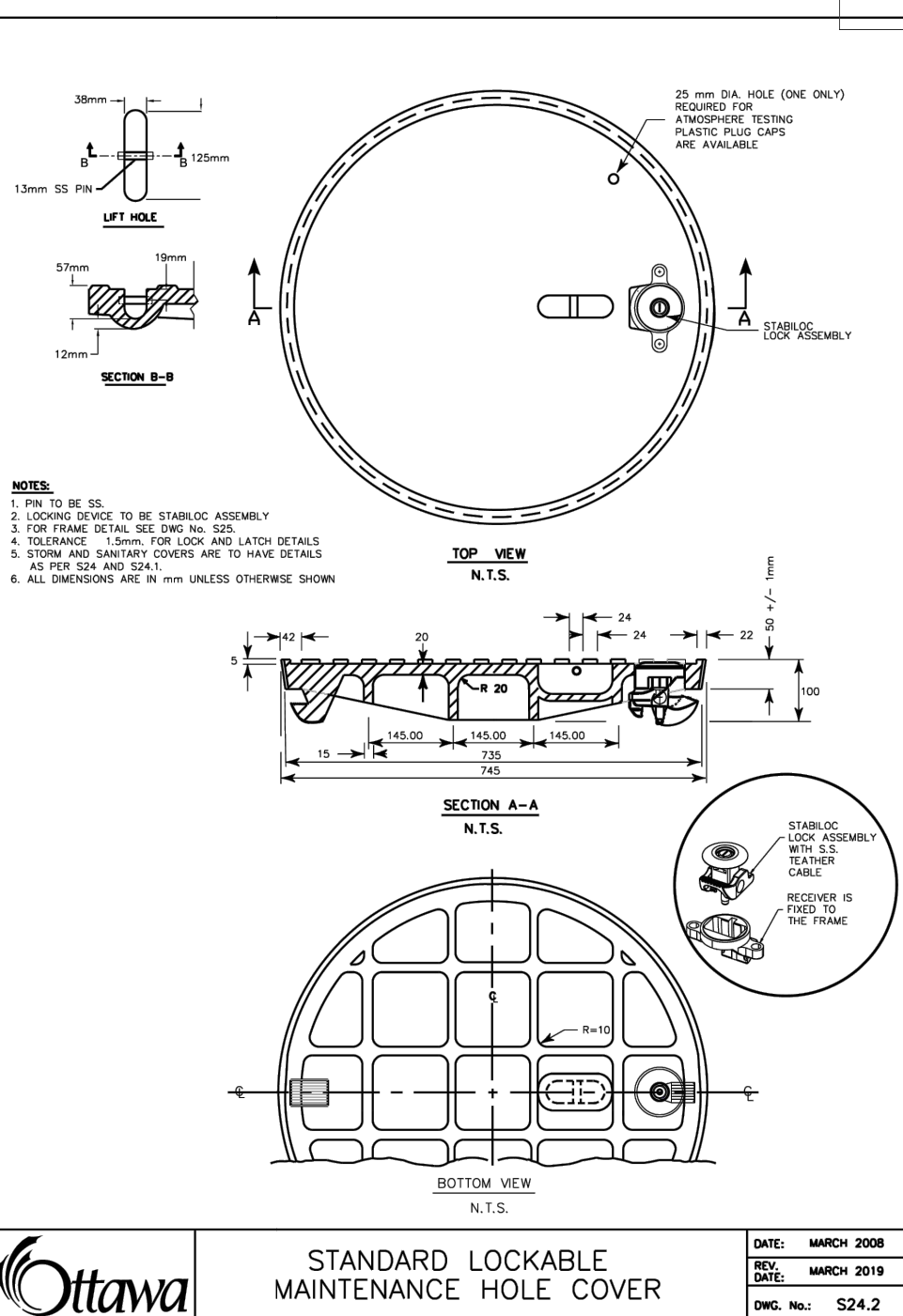
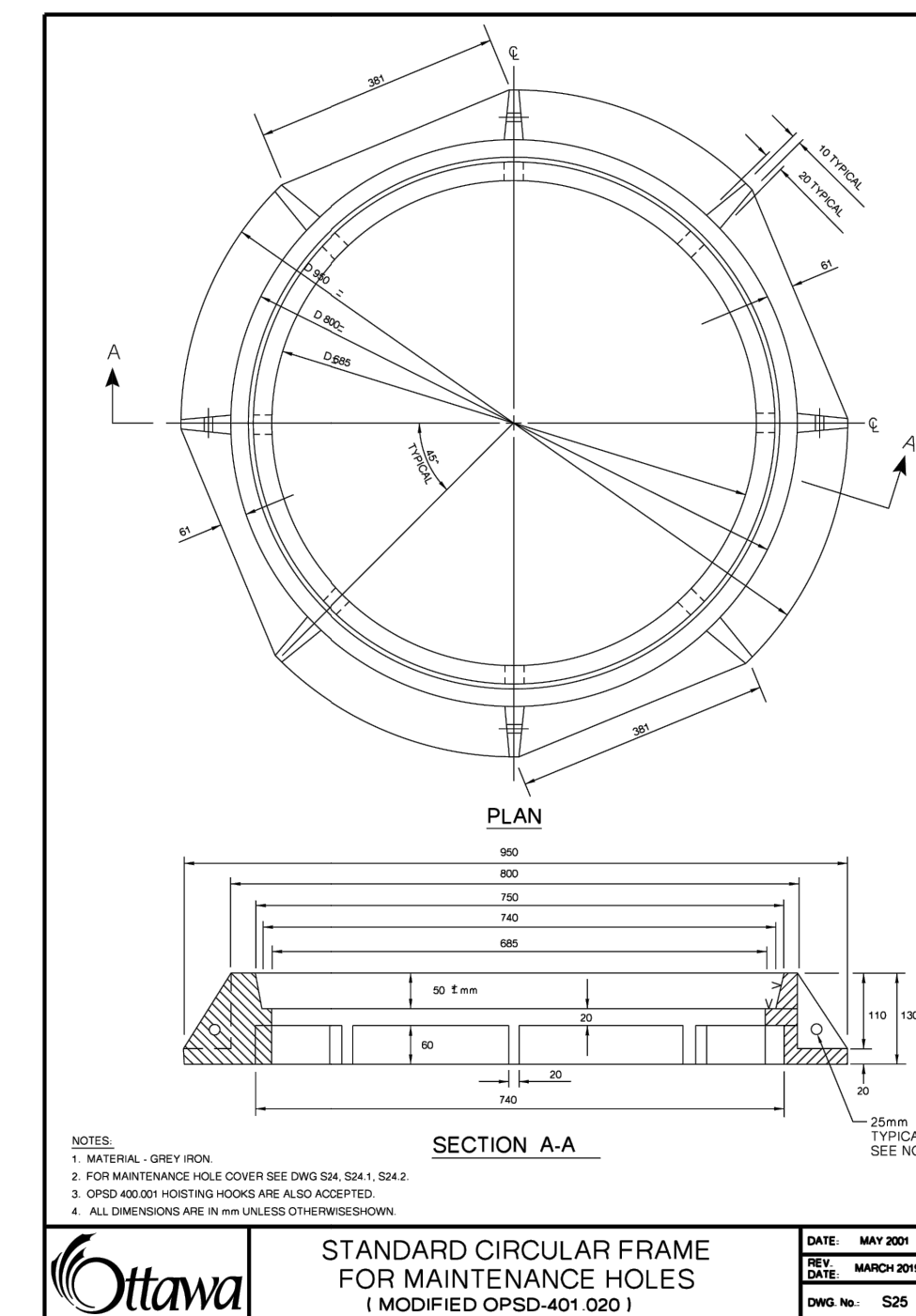
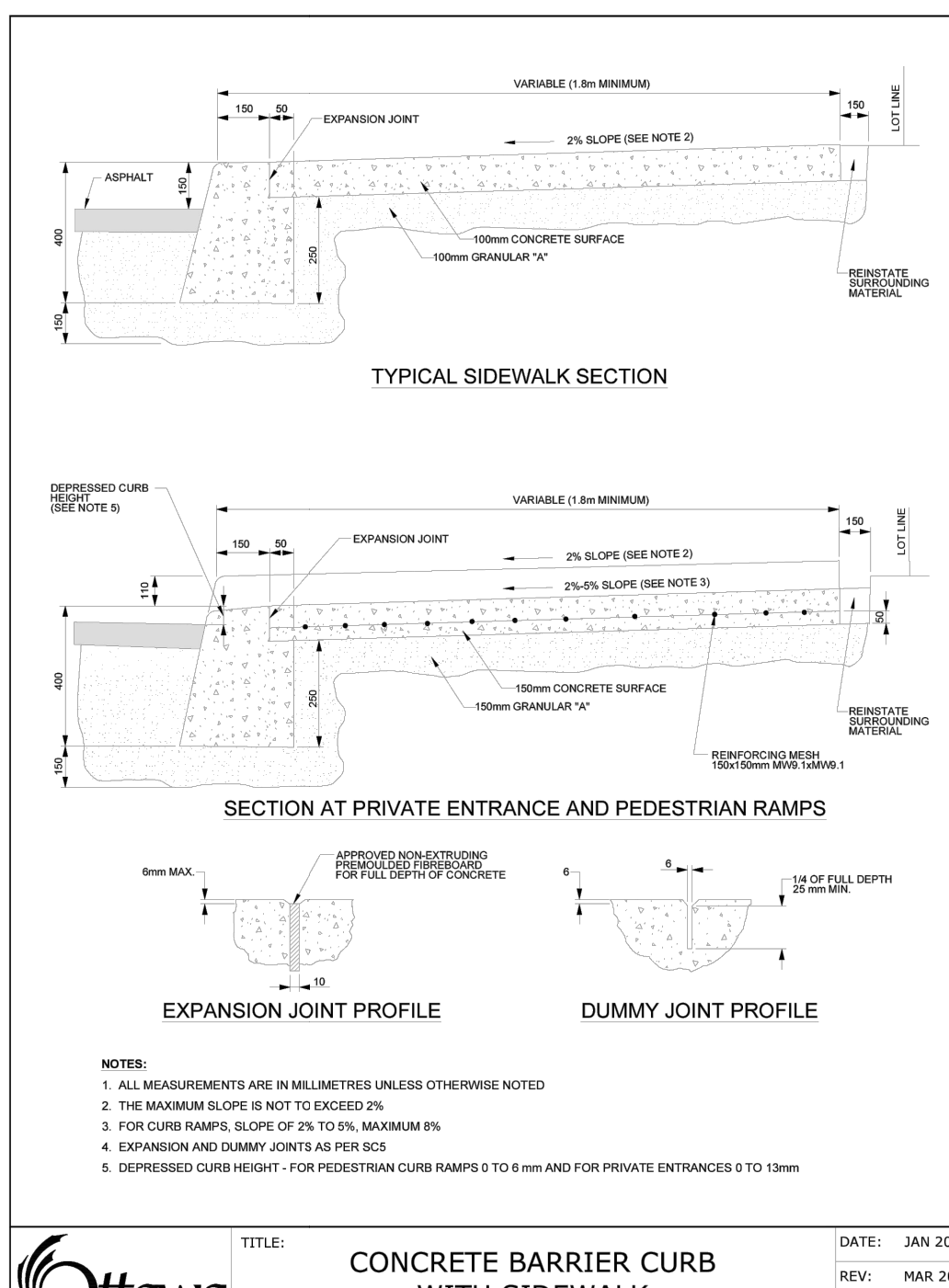
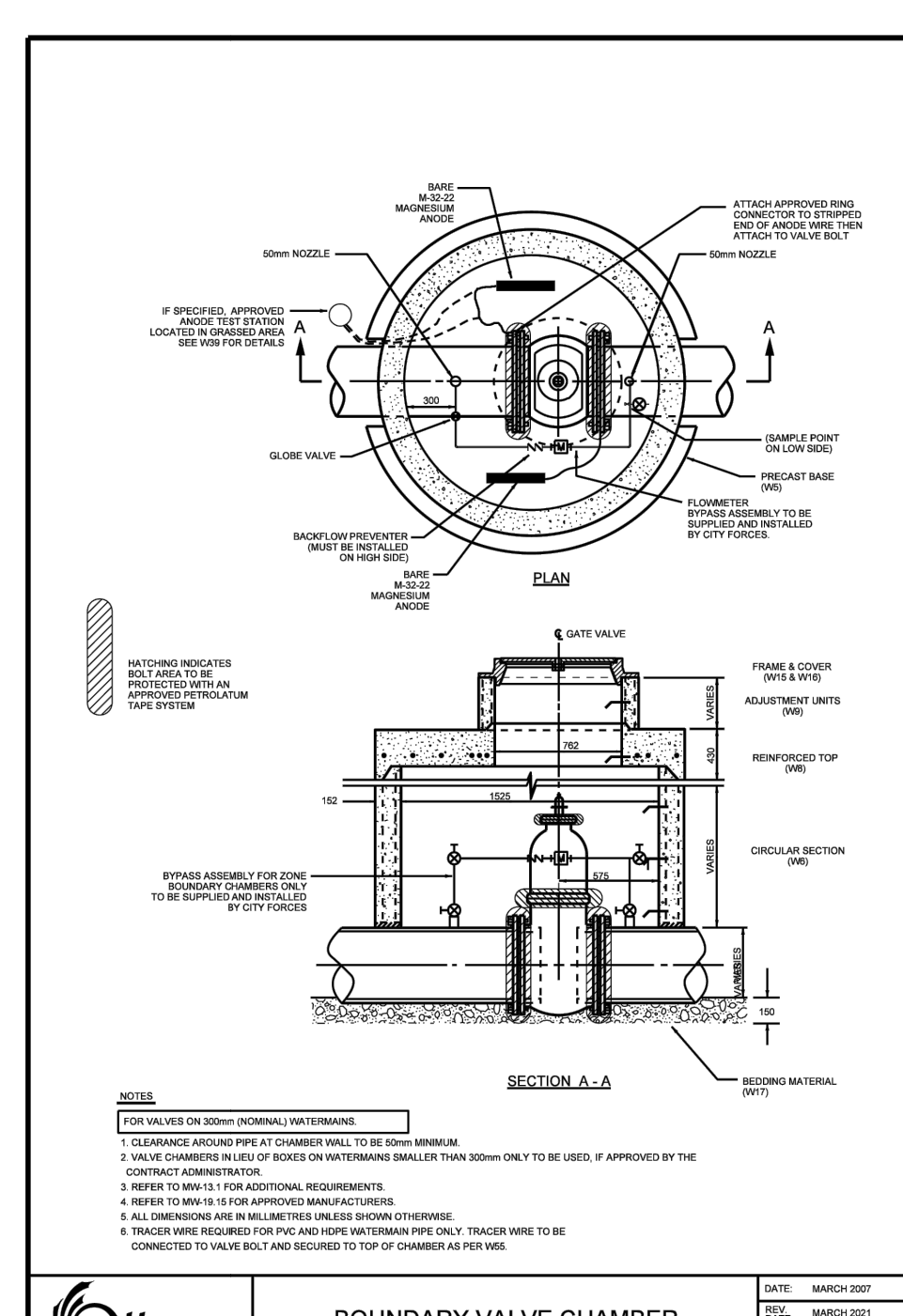
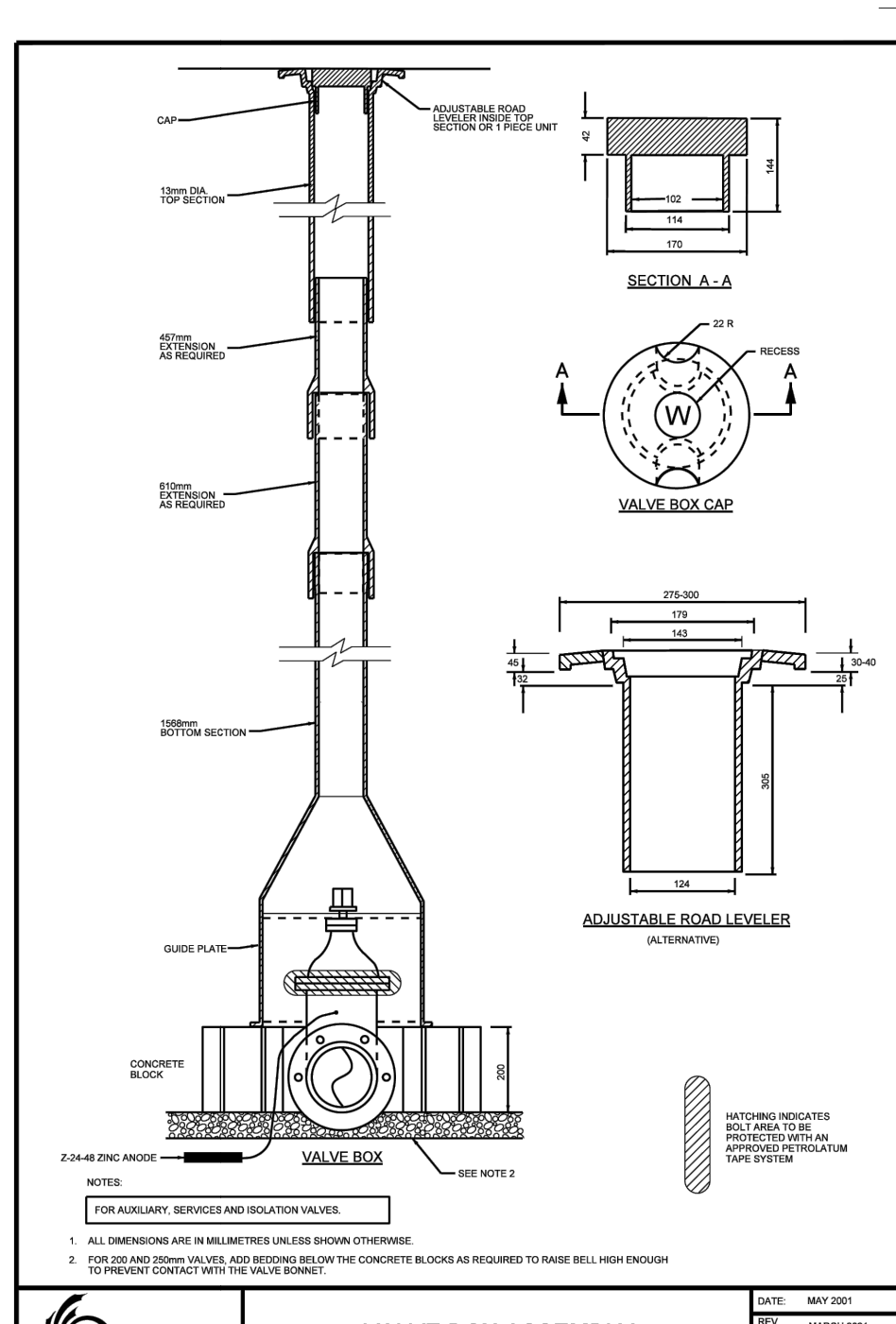
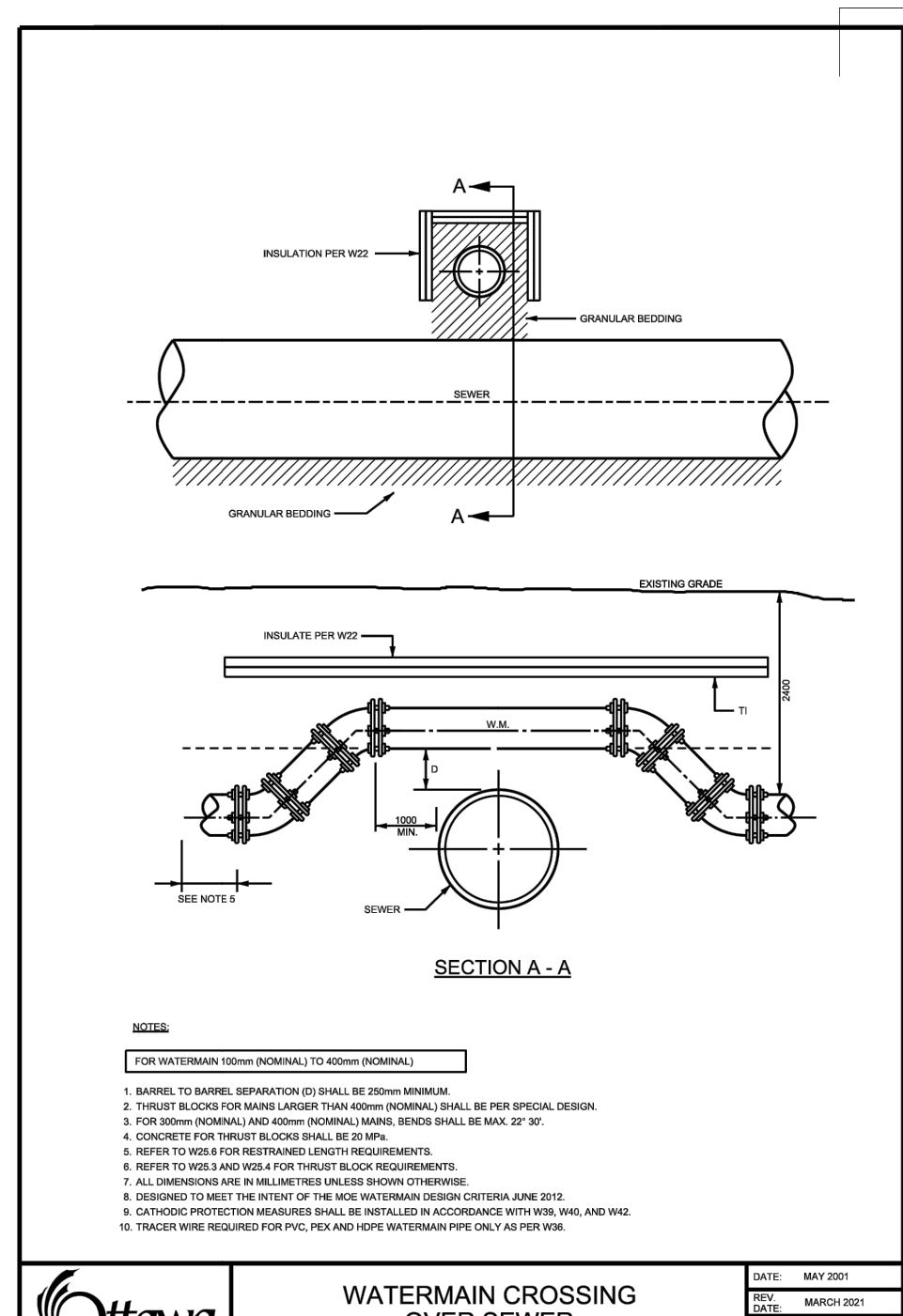
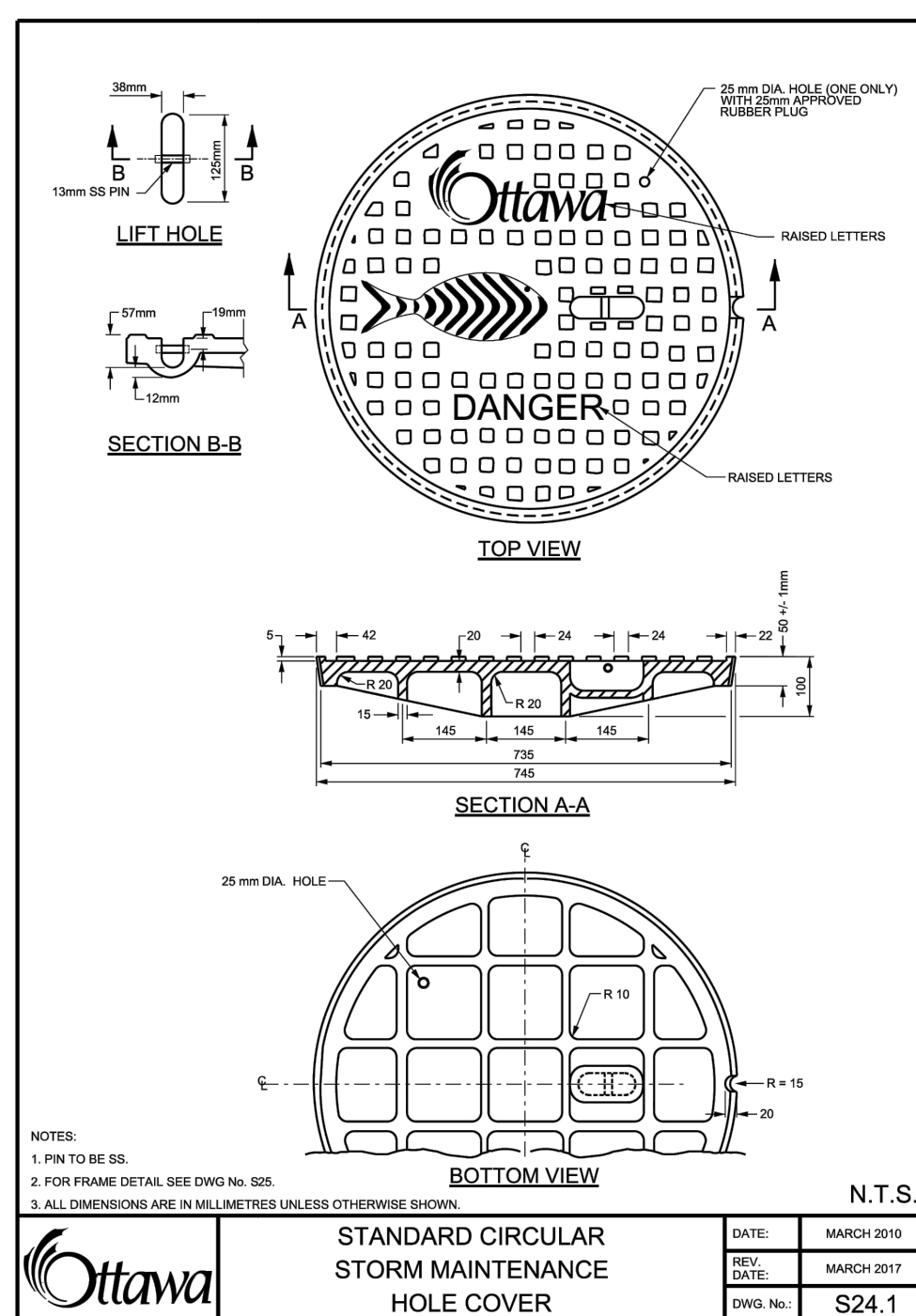
Copyright Reserved

The Contractor shall verify and be responsible for all dimensions. DO NOT scale the drawing - any errors or omissions shall be reported to Stantec without delay.
The Copyrights to all designs and drawings are the property of Stantec. Reproduction or use for any purpose other than that authorized by Stantec is forbidden.

Legend

G. Wildman
GERALDINE WILDMAN
MANAGER, DEVELOPMENT REVIEW SOUTH
PLANNING, DEVELOPMENT AND BUILDING SERVICES
DEPARTMENT, CITY OF OTTAWA

APPROVED
By wildmange at 4:39 pm, Mar 13, 2026



4	REVISED PER CITY COMMENTS	JP	SG/DT	26.01.09
3	ADDED WATERMAIN ETABLE	JP	SG	25.11.21
2	CLARIFIED GREENBANK ELEVATIONS; REVISED MINOR IE IN GRADES	JP	SG	25.11.07
1	2ND SUBMISSION FOR SITE PLAN APPROVAL	JP	SG	25.09.05
0	1ST SUBMISSION FOR SITE PLAN APPROVAL	JP	SG	25.05.13
	Revision	By	Appd.	YY.MM.DD

File Name:	160402143-HMS-PH7-DB	JP	SG	JP	25.04.17
		Dwn.	Chkd.	Dgn.	YY.MM.DD

Permit-Seal

Client/Project
Mattamy Homes
HMB PHASE 7
OTTAWA, ON

Title
DETAILS SHEET

Project No.	Scale	
160402143		
Drawing No.	Sheet	Revision
DS-1	7 of 9	4