

18 ALOMAR DRIVE, LONDON, ON N6K 4M1 PHONE (519) 913-0222
 E-MAIL - jjeng@rogers.com

GENERAL NOTES

GENERAL DESIGN:

1. ALL DESIGN & WORKMANSHIP ON THIS PROJECT SHALL MEET THE REQUIREMENTS OF THE ONTARIO BUILDING CODE 2024.
2. ALL WORK SHALL BE PERFORMED IN ACCORDANCE WITH REQUIREMENTS OF THE OCCUPATIONAL HEALTH AND SAFETY ACT AND REGULATIONS FOR CONSTRUCTION PROJECTS (INCLUDING LATEST AMENDMENTS) AND OTHER AUTHORITIES HAVING JURISDICTION.
3. ALL DIMENSIONS ARE TO BE FIELD VERIFIED.

STEEL:

1. FABRICATION AND ERECTION OF THE STRUCTURAL STEEL SHALL BE IN ACCORDANCE WITH CAN/CSA-S16-19.
2. ASTM A325 BOLTS ARE TO BE USED IN ALL FIELD CONNECTIONS UNLESS NOTED OTHERWISE.
3. ANCHOR BOLTS TO BE CSA G40.21-300W OR ASTM A193 B7 U.N.O.
4. ALL PLATE MATERIAL, CHANNELS AND ANGLE SECTIONS TO BE CSA G40.21-300W UNLESS OTHERWISE NOTED.
5. ALL S BEAMS ARE TO BE ASTM 572-350W UNLESS OTHERWISE NOTED.
6. ALL HOLLOW STRUCTURAL SECTIONS ARE TO BE CSA G40.21-350W.
7. ALL COLD FORMED SECTIONS TO BE CSA G40.21-350W.
8. ALL WIDE FLANGE SECTIONS TO BE CSA G40.21-350W OR ASTM A992.
9. ALL SOLID ROUND AND SQUARE BARS SHALL BE CSA G40.21-300W UNLESS NOTED OTHERWISE.
10. CLEAN ALL MEMBERS, REMOVE LOOSE MILL SCALE, RUST, OIL, DIRT, AND OTHER FOREIGN MATTER. SHOP PRIME STRUCTURAL STEEL IN ACCORDANCE WITH CAN/CSA-S16 EXCEPT WHERE SURFACES ARE TO BE FIELD WELDED.
11. TOUCH UP ALL FIELD WELDS WITH PRIMER AFTER SLAG HAS BEEN REMOVED.
12. ALL STRUCTURAL WELDING ON THIS PROJECT SHALL BE UNDERTAKEN BY FIRMS CERTIFIED BY THE CANADIAN WELDING BUREAU TO CSA W 47.1, DIVISIONS 1 OR 2.

REV. 3			
REV. 2
REV. 1

CANOPY STEEL PLAN

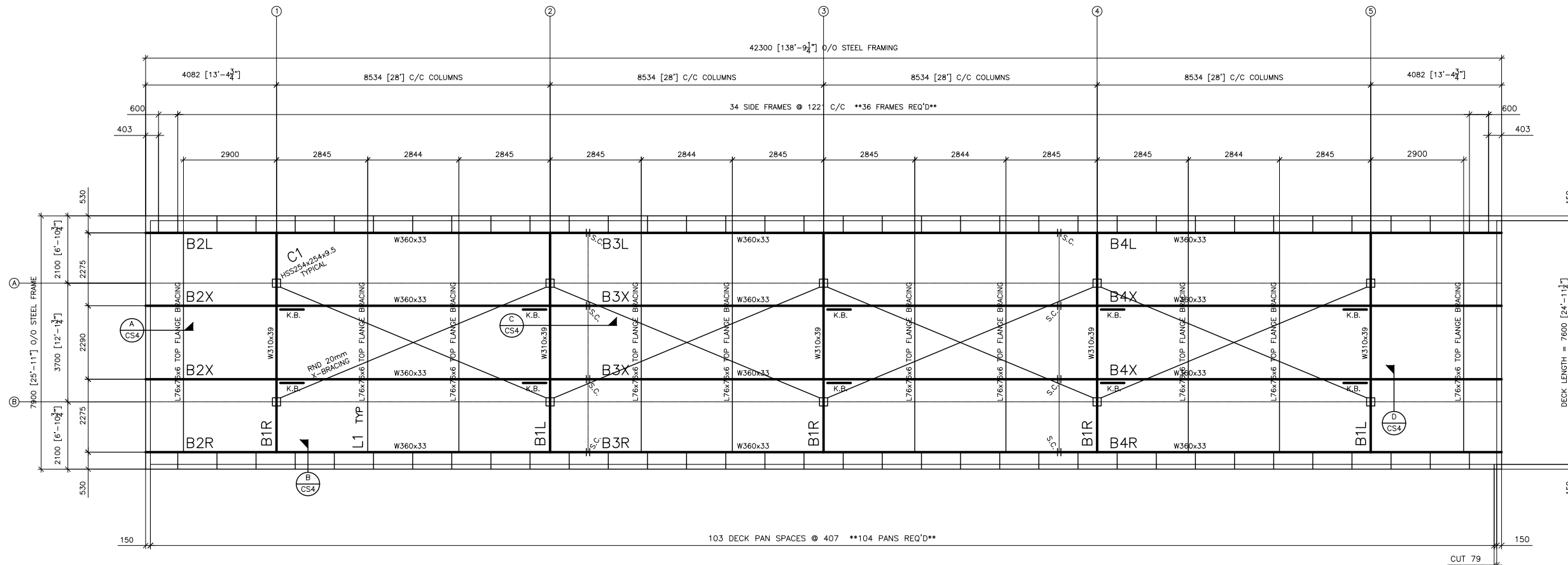
PROJECT: FUEL CANOPY - DRUMMOND FUELS

CUSTOMER: DRUMMOND FUELS LTD

LOCATION: 1925 MERIVALE ROAD
 OTTAWA, ONTARIO

DRAWN BY: PB DATE: MAR_2026

CONTRACT: 2026041 DWG NO: CS1



CANOPY FRAMING PLAN

SCALE : N.T.S.

CANOPY ROOF LOADS AND CLIMATIC DESIGN DATA (OTTAWA, ON)

GROUND SNOW LOAD Ss=2.5 kPa
 GROUND RAIN LOAD Sr=0.4 kPa

HOURLY WIND PRESSURE (1/50) =0.41 kPa

UNFACTORED ROOF LOADS (PARAPET NOT HIGH ENOUGH FOR SNOW DRIFT)
 SL = 2.32 kPa
 DL = 0.30 kPa + BEAM WEIGHTS
 TL = 2.62 kPa

SEISMIC DATA

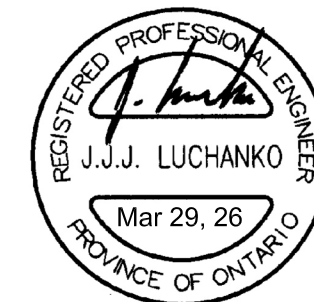
Sa(0.2,Xo) = 0.63
 Sa(0.5,Xo) = 0.514
 Sa(1.0,Xo) = 0.306
 Sa(2.0,Xo) = 0.146
 Sa(5.0,Xo) = 0.0407
 Sa(10.0,Xo) = 0.0127
 PGA(Xo) = 0.368
 PGV(Xo) = 0.359

SEISMIC DESIGN - EQUIVALENT STATIC

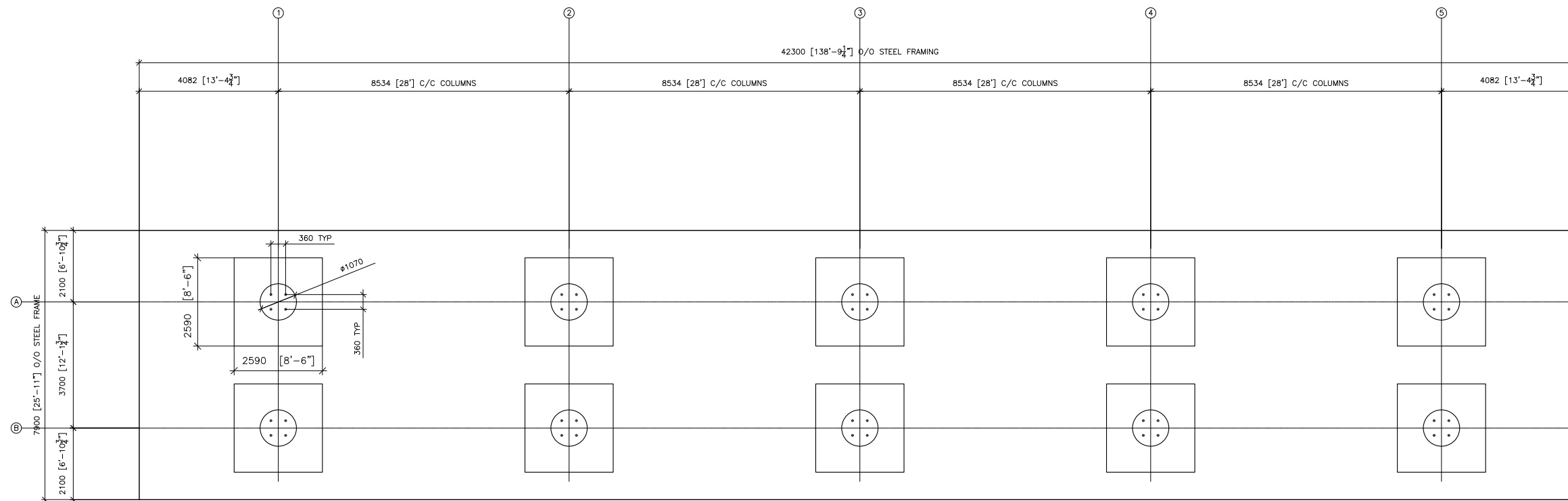
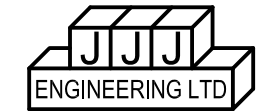
SITE CLASS D
 SEISMIC CATEGORY 4
 CANTILEVER COLUMNS
 Rd=1.0
 Ro=1.0
 V MAX = 244 kN
 S(Ta)= 0.630

MOMENT FRAMES

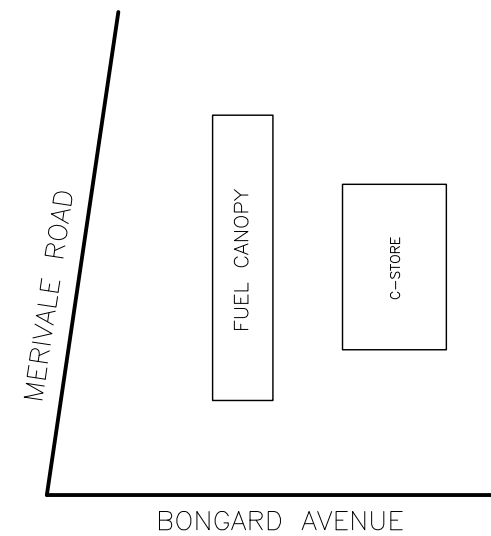
Rd=1.5
 Ro=1.3
 V MAX = 102 kN
 S(Ta)= 0.603



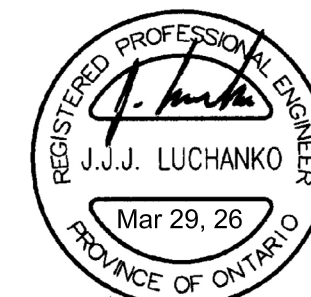
26-217A



CANOPY ANCHOR BOLT PLAN
 SCALE : N.T.S.



CANOPY SITE ORIENTATION
 SCALE : N.T.S.

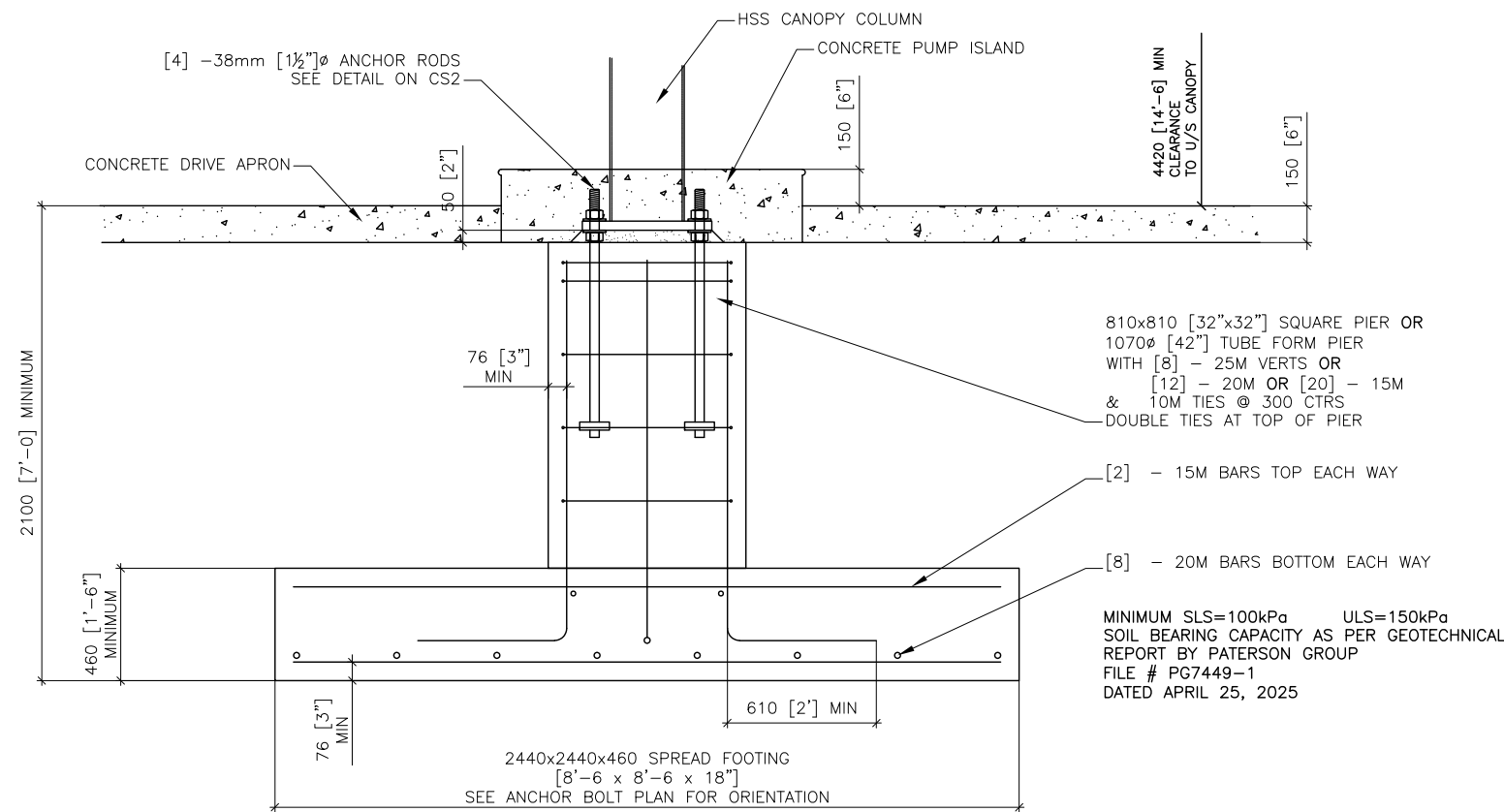
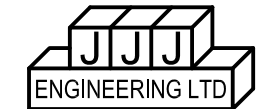


26-217A

REV. 3			
REV. 2			
REV. 1			

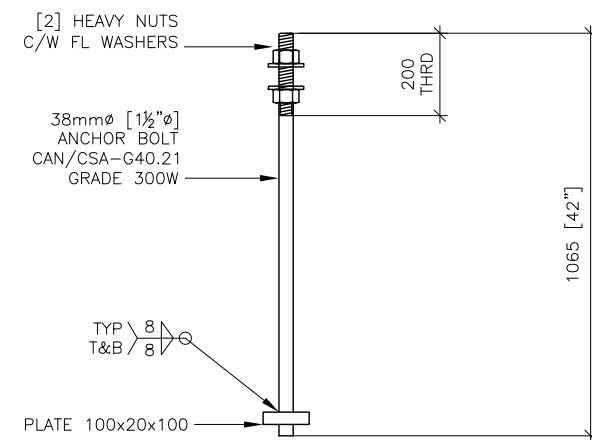
ANCHOR BOLT PLAN

PROJECT:	FUEL CANOPY - DRUMMOND FUELS		
CUSTOMER:	DRUMMOND FUELS LTD		
LOCATION:	1925 MERIVALE ROAD OTTAWA, ONTARIO		
DRAWN BY:	PB	DATE:	MAR_2026
CONTRACT:	2026041	DWG NO:	CS2



CANOPY BASE DETAILS

SCALE : N.T.S.



ANCHOR BOLT DETAIL

SCALE : N.T.S.

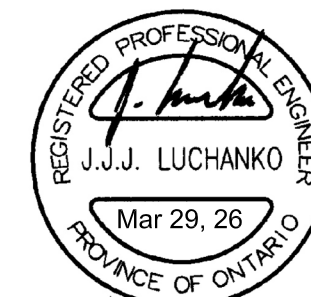
FOUNDATION NOTES

FOUNDATIONS:

1. REMOVE ALL TOPSOIL AND ORGANIC FILL FROM BUILDING AREA.
2. ALL FOOTINGS ARE TO BE CARRIED DOWN TO ORIGINAL UNDISTURBED SOIL HAVING A BEARING CAPACITY AS SPECIFIED ON THE DRAWINGS.
3. SOIL BEARING MUST BE VERIFIED ON SITE BY A COMPETENT ENGINEER PRIOR TO ANY CONCRETE PLACEMENT.
4. WALLS WITH BACK FILL ON BOTH SIDES SHALL BE BACK FILLED & COMPACTED ON BOTH SIDES SIMULTANEOUSLY.
5. PROTECT SOIL SUPPORTING FOOTINGS FROM FREEZING BEFORE AND AFTER CONCRETE IS POURED.

CONCRETE

1. ALL CONCRETE TO HAVE A 28 DAY COMPRESSIVE STRENGTH OF 25 MPa UNLESS NOTED OTHERWISE.
2. ALL REINFORCING STEEL TO BE DEFORMED BARS CONFORMING TO CSA G30.18 GRADE 400 MPa. DETAIL & PLACEMENT ACCORDING TO THE LATEST R.S.I.C MANUAL OF STANDARD PRACTICE.
3. ALL CONCRETE WORK IS TO BE CARRIED OUT IN ACCORDANCE WITH THE LATEST EDITIONS OF THE OBC, CAN/CSA-A23.1-19 / A23.2-19, CAN/CSA-A23.3-19 AND LOCAL BYLAWS. EXPOSED CONCRETE TO BE 32 MPa +5-8% AIR-ENTRAINMENT, CLASS C2
4. CONCRETE COVER SHALL BE 76mm FOR FOOTINGS & 50mm FOR PIERS.
5. TYPICAL LAP LENGTH FOR REINFORCING STEEL IS 36 TIMES THE BAR DIAMETER.
6. ALL EXPOSED CORNERS SHALL HAVE A 19mm CHAMFER
7. MEASURES MUST BE TAKEN TO ENSURE PROPER CURING OF CONCRETE. REFER TO SECTION 21 OF CAN/CSA A23.1-19
8. CONCRETE SLUMP SHALL BE 80mm ± 20mm UNLESS NOTED.
9. PROVIDE SUFFICIENT SUPPORT OF REINFORCING STEEL TO MAINTAIN PROPER LOCATIONS AND CLEARANCES

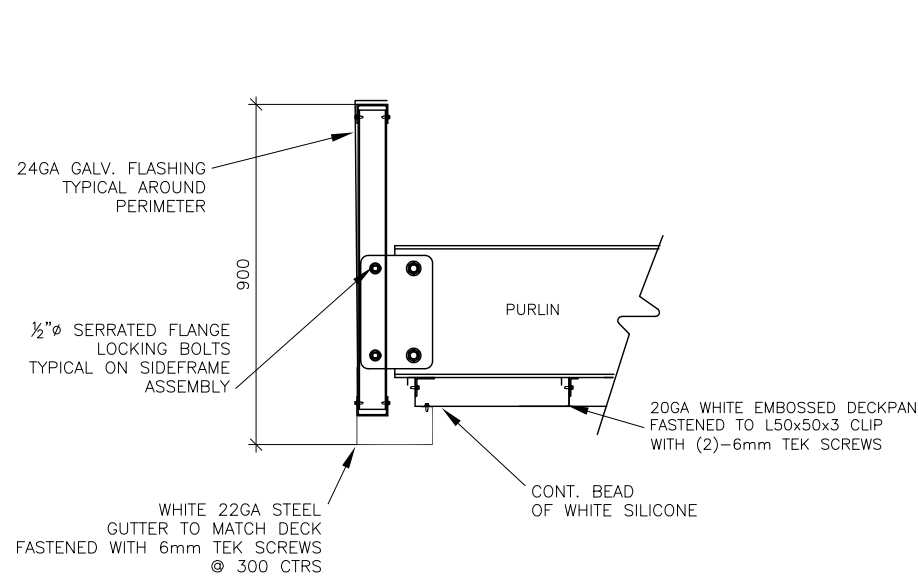


26-217A

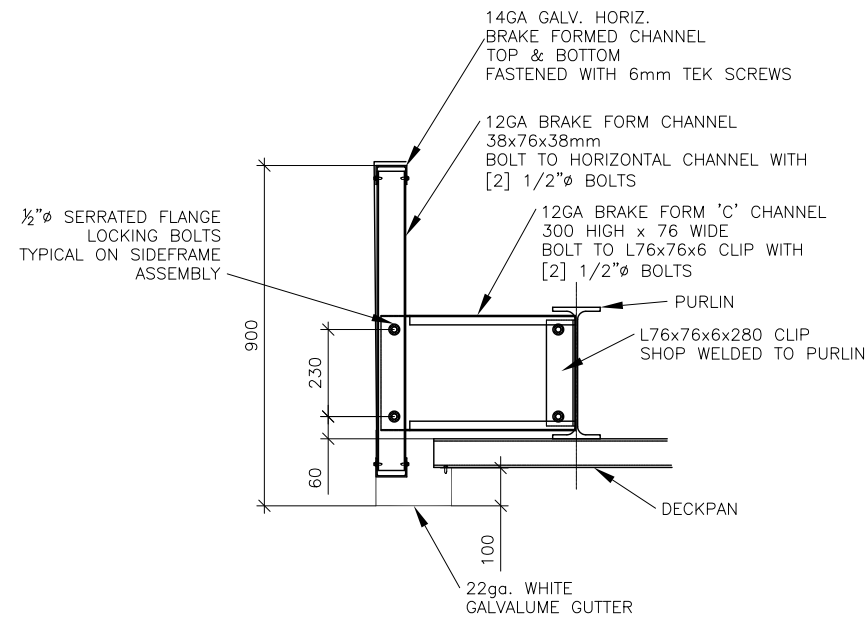
REV. 3			
REV. 2			
REV. 1			

BASE DETAILS

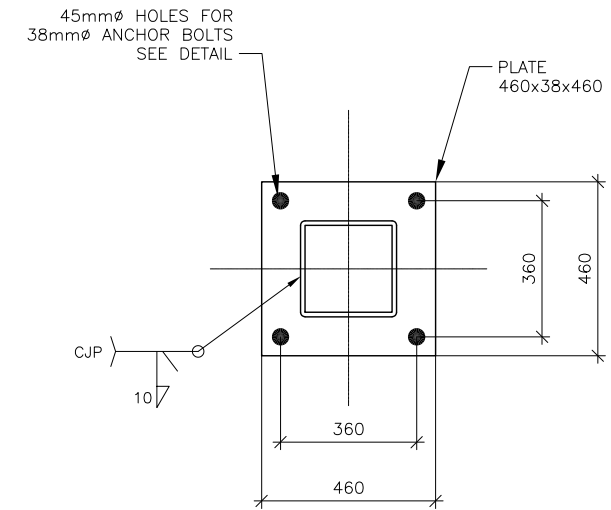
PROJECT:	FUEL CANOPY - DRUMMOND FUELS		
CUSTOMER:	DRUMMOND FUELS LTD		
LOCATION:	1925 MERIVALE ROAD OTTAWA, ONTARIO		
DRAWN BY:	PB	DATE:	MAR_2026
CONTRACT:	2026041	DWG NO:	CS3



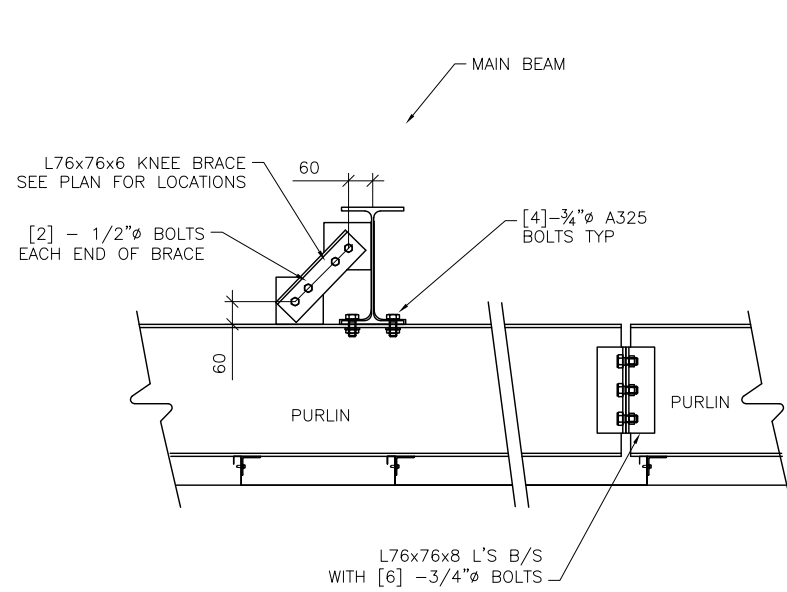
A END FRAMING SECTION
CS4 SCALE : N.T.S.



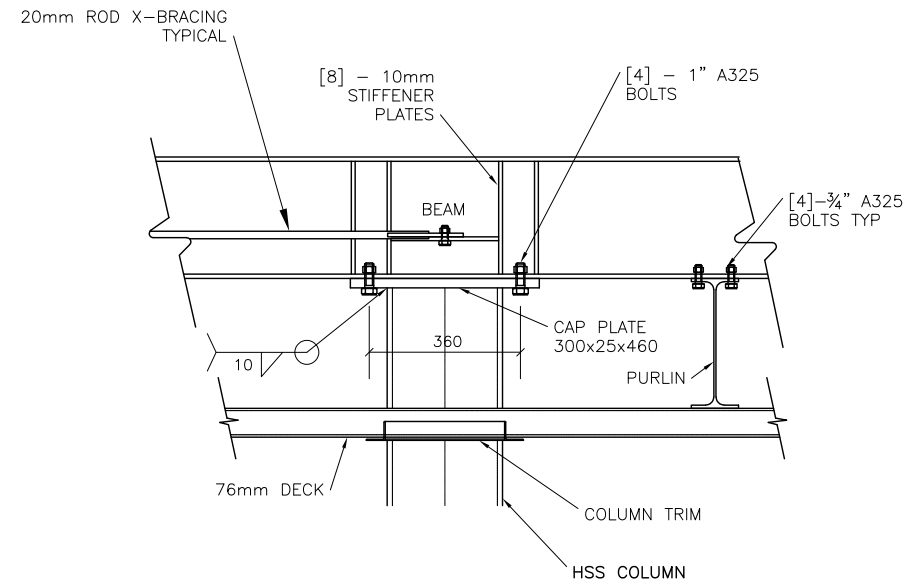
B SIDE FRAMING SECTION
CS4 SCALE : N.T.S.



BASE PLATE DETAIL - TYPICAL
SCALE : N.T.S.



C KNEE BRACE / PURLIN SPLICE DETAIL
CS4 SCALE : N.T.S.

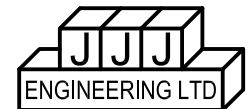


D COLUMN CAP DETAIL
CS4 SCALE : N.T.S.



220 EGERTON STREET, STRATHROY, ON N7G 4J3
TEL 519.518.6627 FAX 866.482.8982
www.capbuildingsystems.ca

METRIC ALL DIMENSIONS UNLESS OTHERWISE NOTED ARE IN MILLIMETERS
DO NOT SCALE DRAWINGS



18 ALOMAR DRIVE, LONDON, ON N6K 4M1 PHONE (519) 913-0222
E-MAIL - jjjeng@rogers.com

REV. 3			
REV. 2
REV. 1

CANOPY SECTION DETAILS

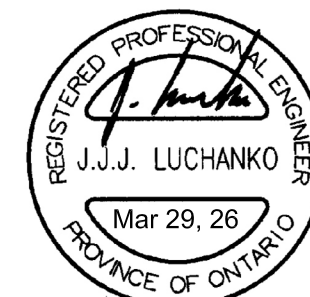
PROJECT: FUEL CANOPY - DRUMMOND FUELS

CUSTOMER: DRUMMOND FUELS LTD

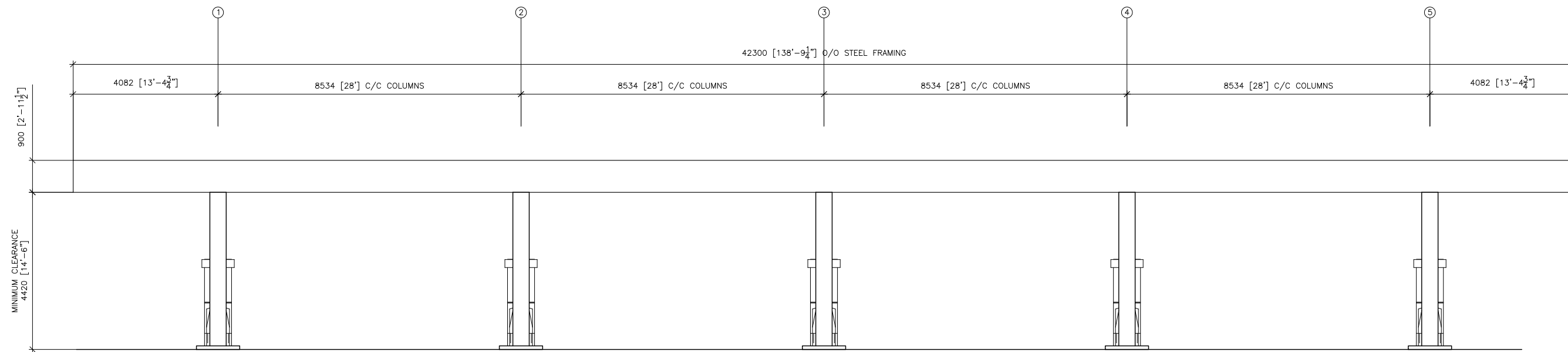
LOCATION: 1925 MERIVALE ROAD
OTTAWA, ONTARIO

DRAWN BY: PB DATE: MAR_2026

CONTRACT: 2026041 DWG NO: CS4

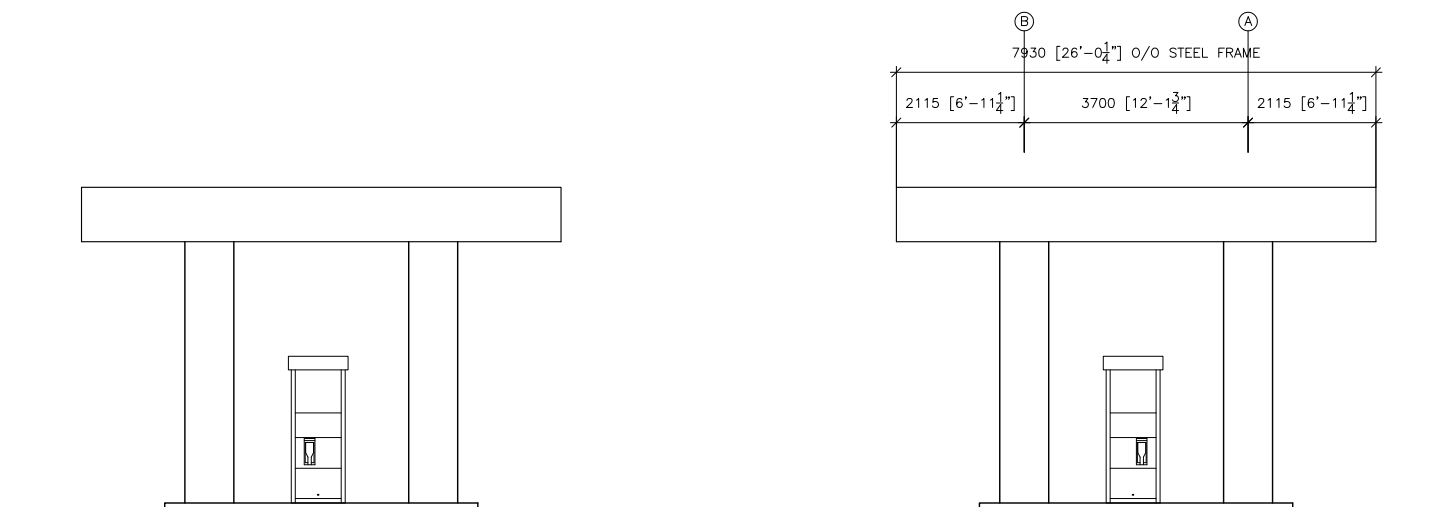


26-217A



CANOPY ELEVATION

SCALE : N.T.S.



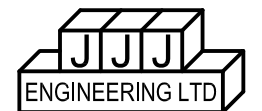
CANOPY END ELEVATION

SCALE : N.T.S.

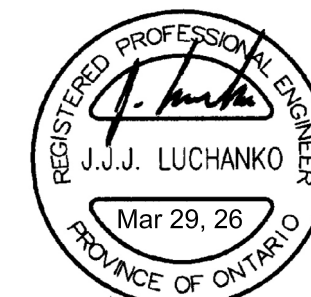


220 EGERTON STREET, STRATHROY, ON N7G 4J3
 TEL 519.518.6627 FAX 866.482.8982
 www.capbuildingsystems.ca

METRIC ALL DIMENSIONS UNLESS OTHERWISE NOTED ARE IN MILLIMETERS
 DO NOT SCALE DRAWINGS



18 ALOMAR DRIVE, LONDON, ON N6K 4M1 PHONE (519) 913-0222
 E-MAIL - jjjeng@rogers.com



26-217A

REV. 3			
REV. 2			
REV. 1

CANOPY ELEVATON

PROJECT: FUEL CANOPY - DRUMMOND FUELS

CUSTOMER: DRUMMOND FUELS LTD

LOCATION: 1925 MERIVALE ROAD
 OTTAWA, ONTARIO

DRAWN BY: PB DATE: MAR_2026

CONTRACT: 2026041 DWG NO: CA1