

KEY PLAN

2	RE-ISSUED FOR SITE PLAN APPROVAL	2025-01-23	
1	ISSUED FOR SITE PLAN APPROVAL	2025-11-06	
0	ISSUED FOR BUILDING PERMIT	2025-03-21	
-	ISSUED FOR 90% REVIEW	2025-01-17	
-	ISSUED FOR 60% REVIEW	2024-10-17	
-	ISSUED FOR 30% REVIEW	2024-05-22	

DESIGNED BY / CONÇU PAR A. GIRARD	CHECKED BY / VÉRIFIÉ PAR R. BOIVIN
DRAWN BY / DÉSSINÉ PAR R. GAYWALA	SCALE AS NOTED

1 E14B N.T.S.	PROJECT NORTH
---------------------	---------------

THIS DRAWING IS THE PROPERTY OF THE CITY OF OTTAWA AND ALL COPYRIGHT IS RESERVED. DIMENSIONS ON DRAWING ARE FOR ESTIMATING PURPOSES ONLY. IT IS THE RESPONSIBILITY OF EACH CONTRACTOR AND SUB-CONTRACTOR OR CONSULTANT TO CHECK AND VERIFY ALL DIMENSIONS AND CONDITIONS ON SITE. NOTIFY OWNER OF ANY ERRORS OR OMISSIONS PRIOR TO COMMENCING THE WORK. DO NOT SCALE THE DRAWINGS.

CE Dessin constitue la propriété de la Ville d'Ottawa et tout droit d'auteur est réservé. Les dimensions utilisées le sont à des fins d'estimation seulement. Il incombe à chaque entrepreneur, sous-contractant ou consultant de vérifier toutes les dimensions et les conditions sur le chantier. Veuillez informer le propriétaire de toute erreur ou omission avant d'entamer les travaux. Ne dressez pas les plans à l'échelle.

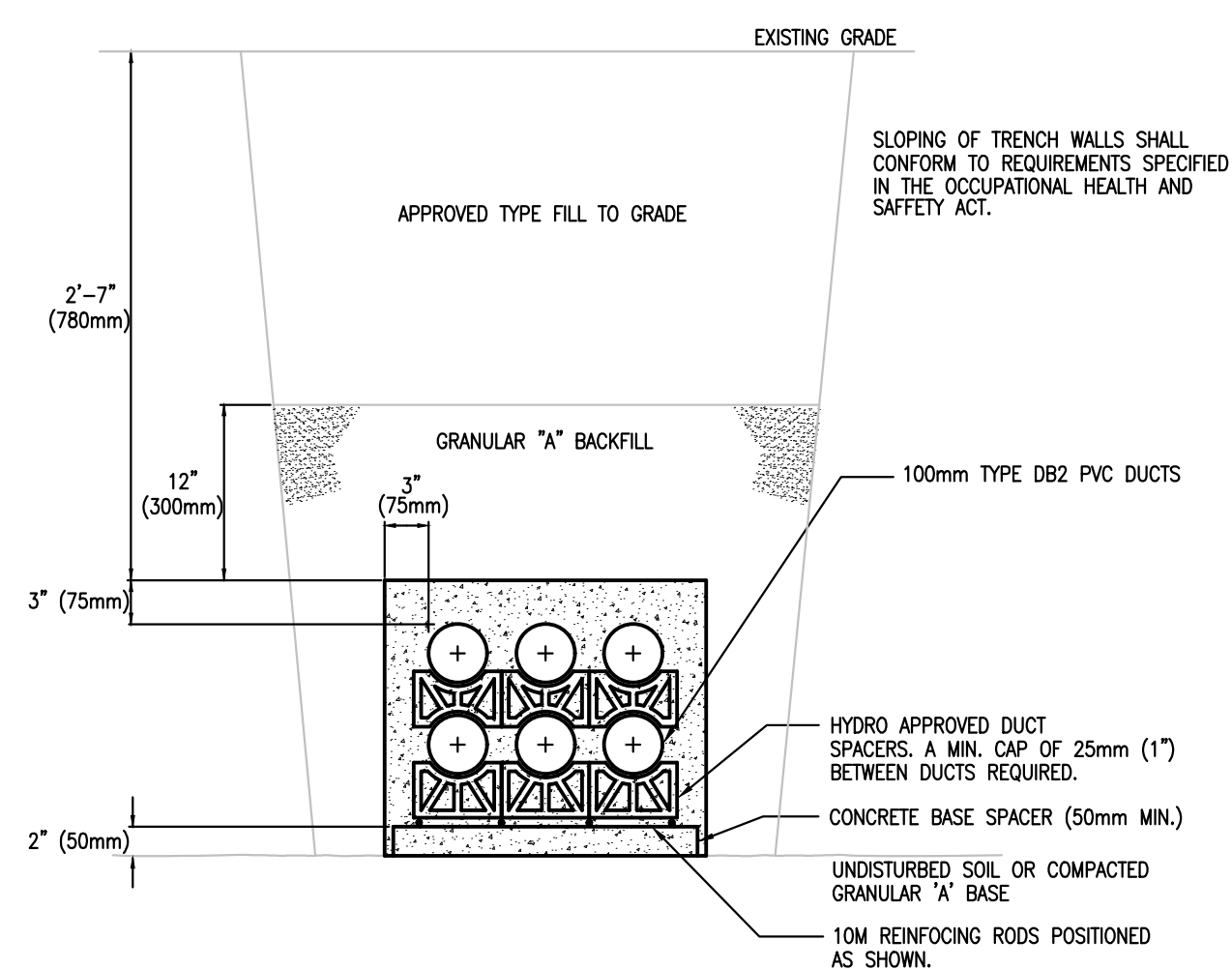
ARCHITECT / ARCHITECTE	CONSULTANT / EXPERT-CONSEIL

CONSULTANT / EXPERT-CONSEIL	CONSULTANT / EXPERT-CONSEIL
-----------------------------	-----------------------------

PROJECT / LOCATION / PROJET / ENDROIT
2785 8TH LINE RD. - LARRY ROBINSON ARENA (METCALFE COMMUNITY CENTRE) EXPANSION

DRAWING / DESSIN
ELECTRICAL DETAILS

BUSINESS ENTITY / NUMÉRO DE L'ENTITÉ BUILDING NUMBER / NUMÉRO DU BÂTIMENT	SHEET NO. / FEUILLE NO. E14B
PROJECT NO. / NUMÉRO DE PROJET 2023-696	

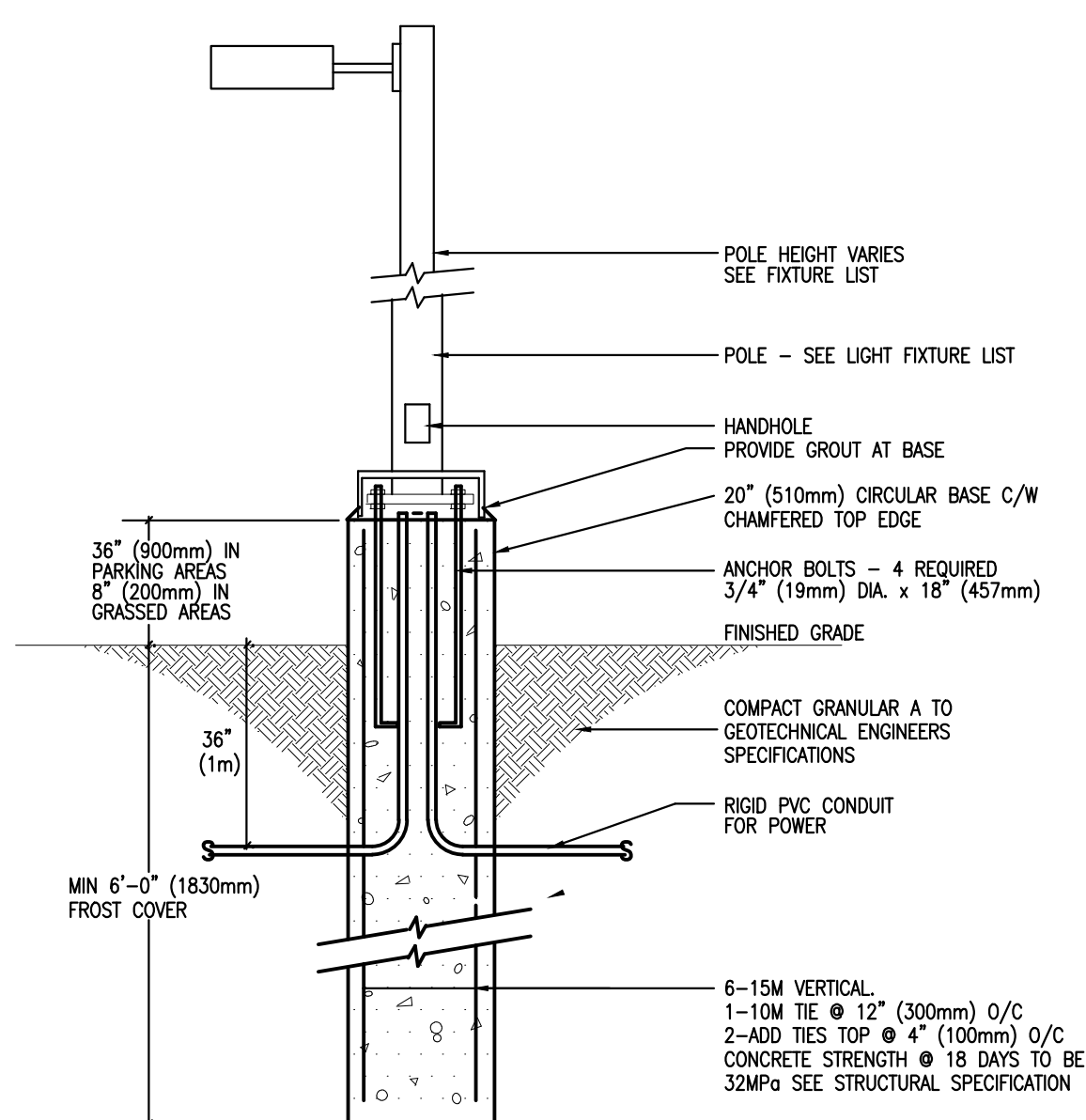


NOTES:

1. CSA C222 No. 211.1 APPLIES TO ALL PVC DUCTING.
2. ONLY MATERIAL APPROVED BY HYDRO TO BE USED.
3. DUCT JOINTS TO BE GLED USING AN APPROVED "PVC" SOLVENT, WHEN APPLICABLE.
4. REINFORCING RODS FULL LENGTH OF CONCRETE ENCASED DUCTS. OVERLAP JOINTS AND TIE AT BOTH ENDS. DRILL AND DOWEL RODS TO CONCRETE STRUCTURE.
5. DUCT SPACERS TO BE PLACED AT A MAXIMUM OF 1500mm AND WITHIN 150mm OF COUPLING. PLASTIC DUCT SPACERS TO BE USED ONLY IF CONCRETE DUCT SPACERS ARE UNAVAILABLE.
6. FORMS REQUIRED FOR FULL LENGTH OF CONCRETE ENCASED DUCT STRUCTURE.
7. DUCTS AND TRENCHES MUST BE INSPECTED BY HYDRO BEFORE ANY CONCRETE IS POURED.
8. ALL UNDERGROUND UTILITIES MUST BE CONTACTED AND ALL NECESSARY PERMITS MUST BE OBTAINED BY OWNER OR CONTRACTOR.
9. CONTRACTOR MUST ENSURE THAT ALL DUCTS ARE CLEANED, RODED AND THAT A 6mm (1/4") POLYPROPYLENE ROPE IS LEFT IN EACH DUCT.

1 TYPICAL DUCT BANK DETAIL

E14B N.T.S.



2 BASE DETAIL FOR EXTERIOR LIGHT STANDARD

E14B N.T.S.