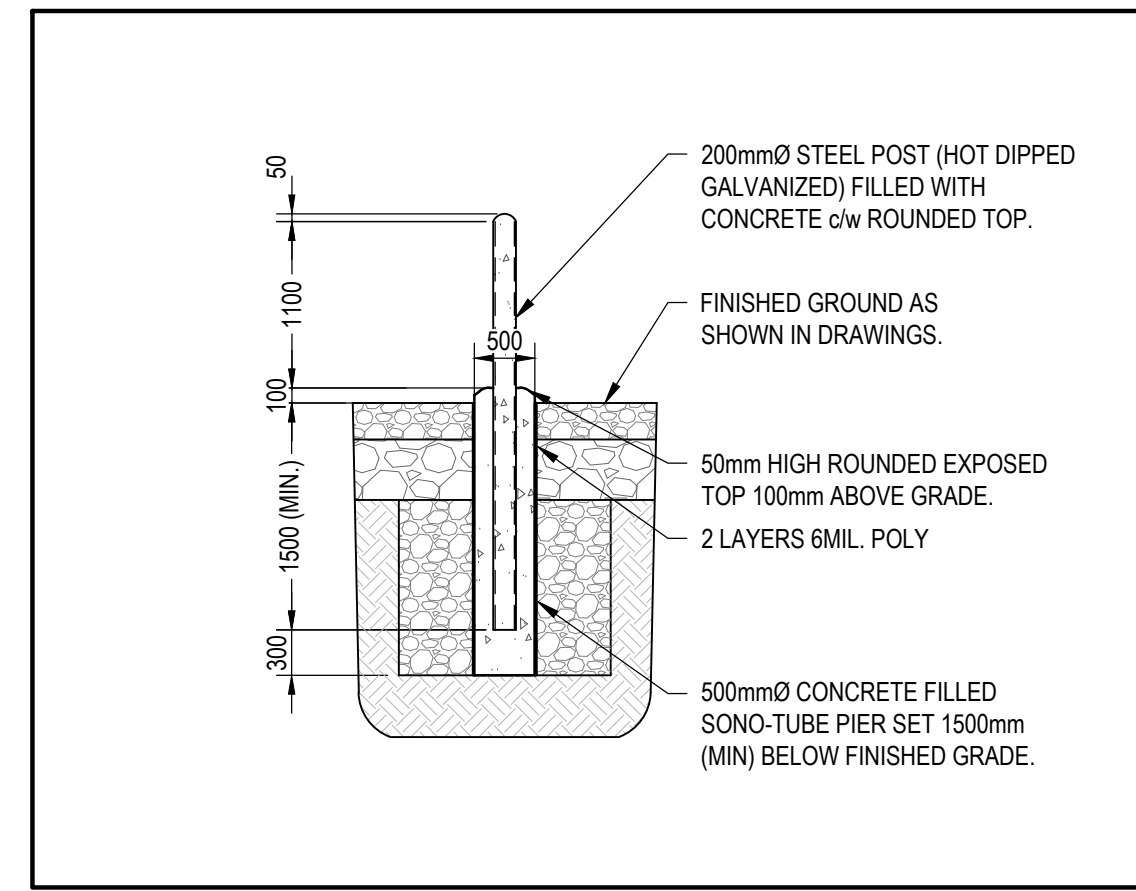
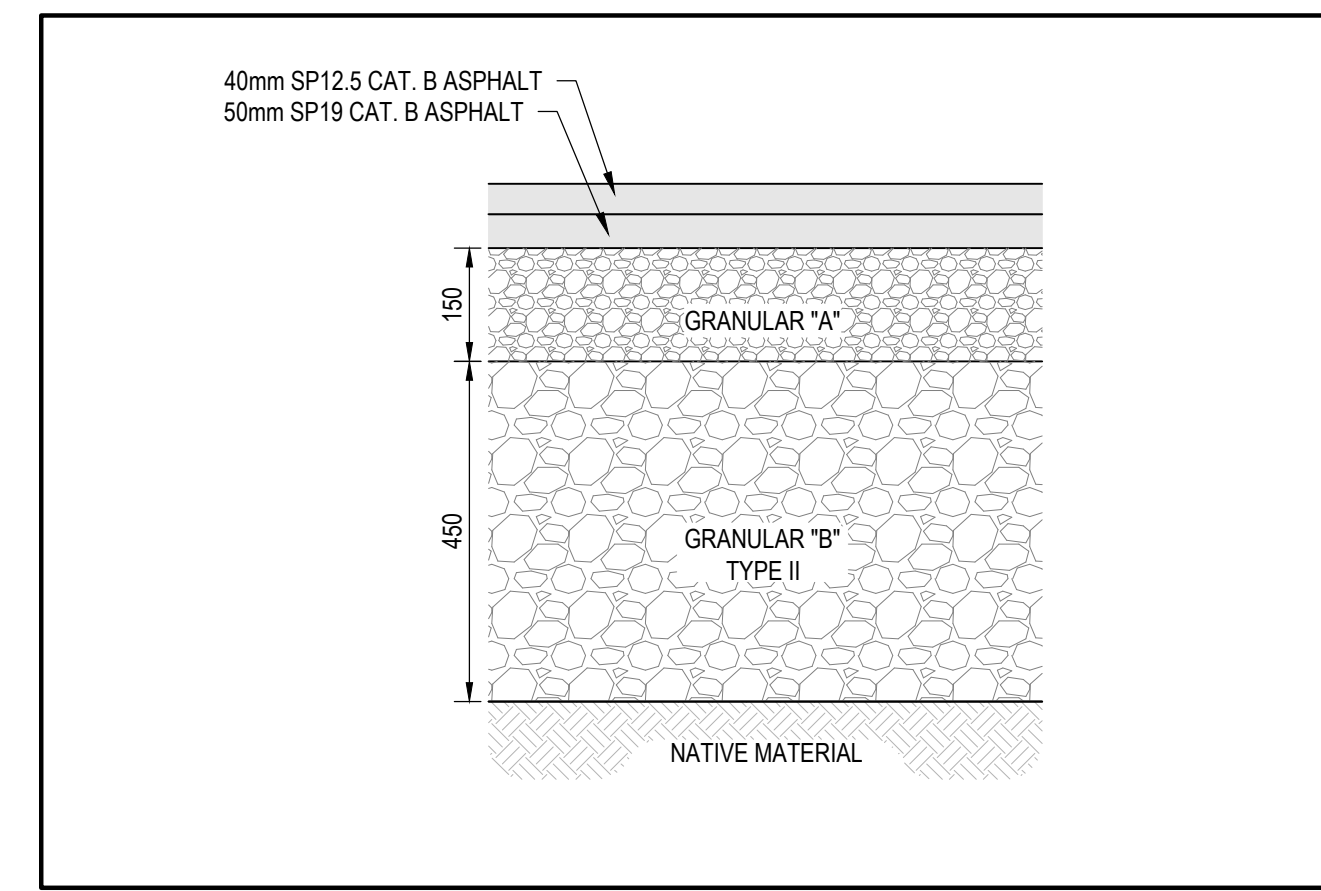


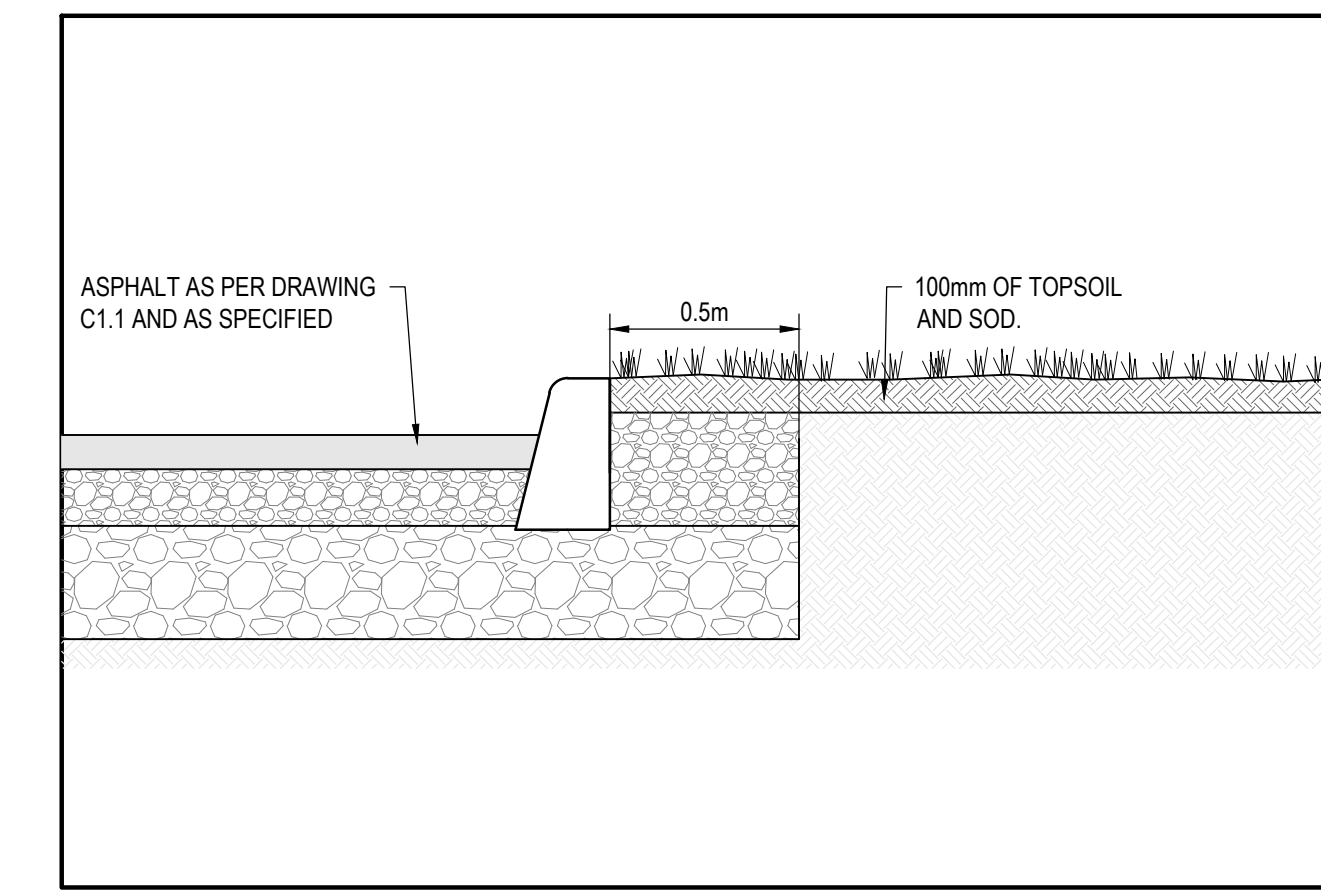
1 TYPICAL TRENCH DETAIL  
SCALE: N.T.S.



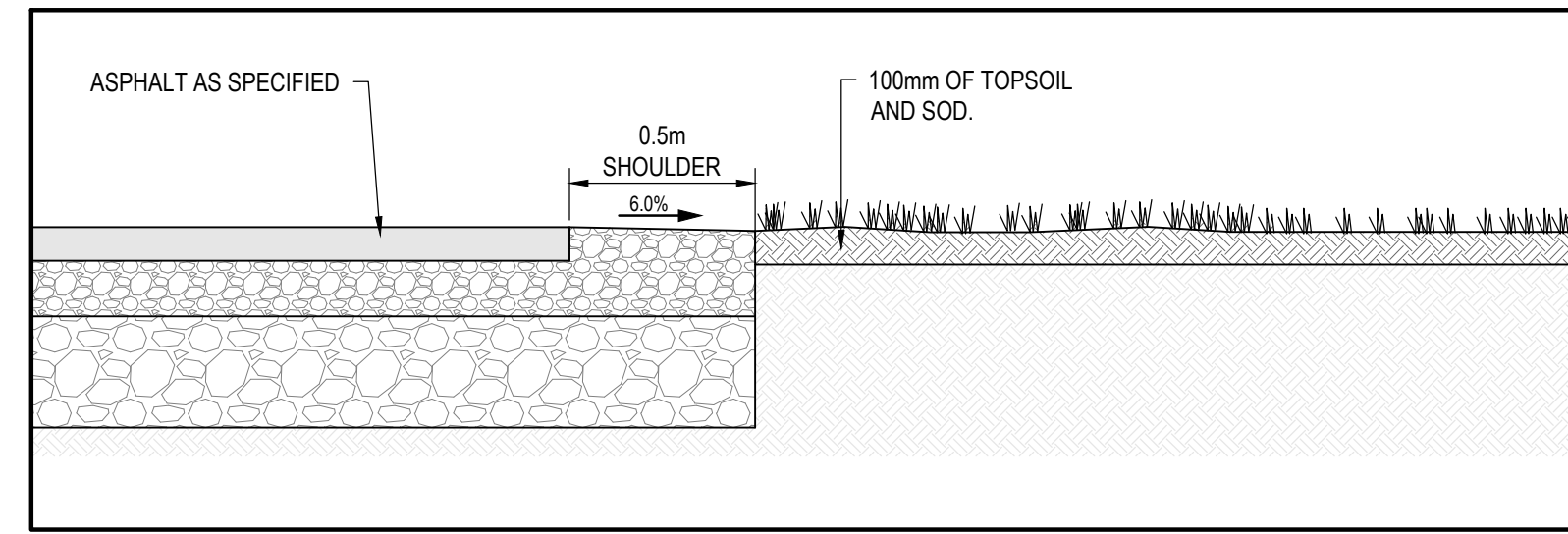
2 TYPICAL BOLLARD DETAIL  
SCALE: N.T.S.



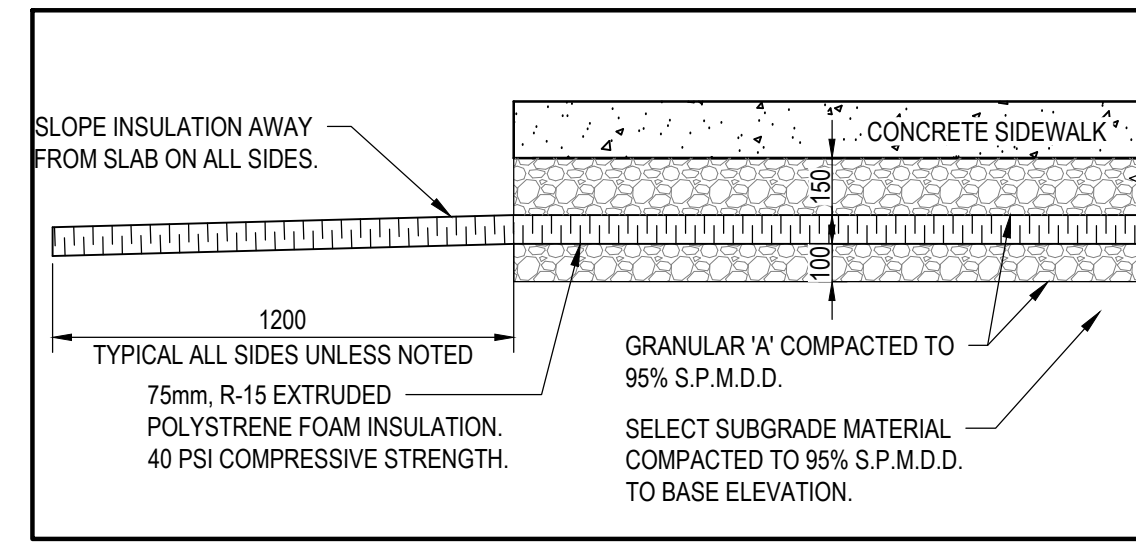
3 ASPHALT DETAIL  
SCALE: N.T.S.



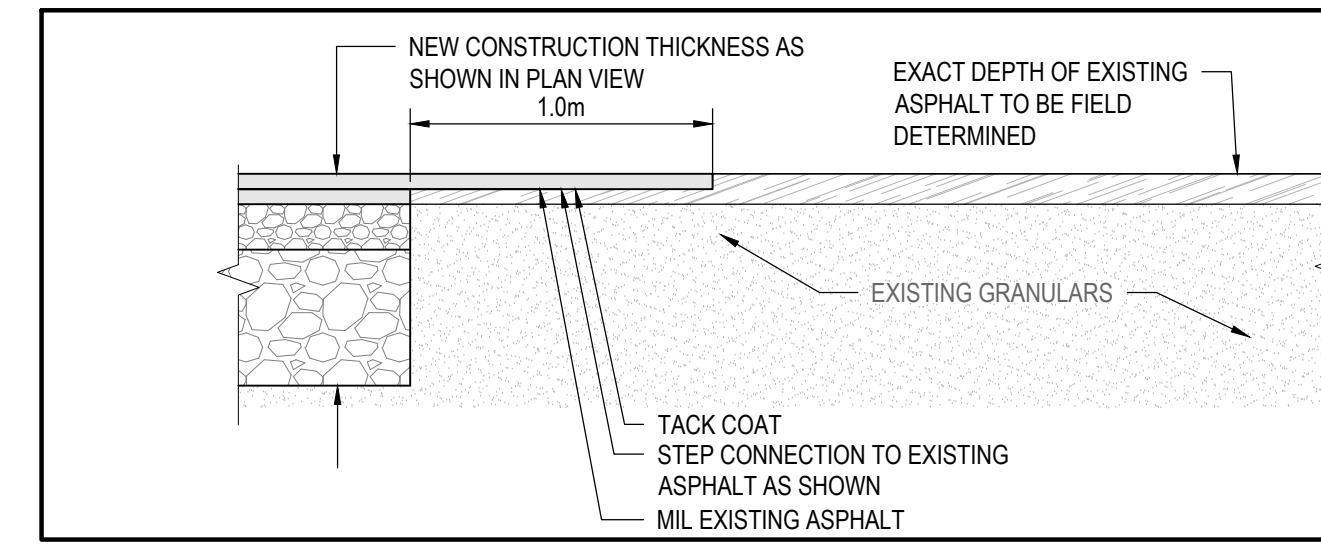
4 TYPICAL ASPHALT EDGE DETAIL (WITH CURB)  
SCALE: N.T.S.



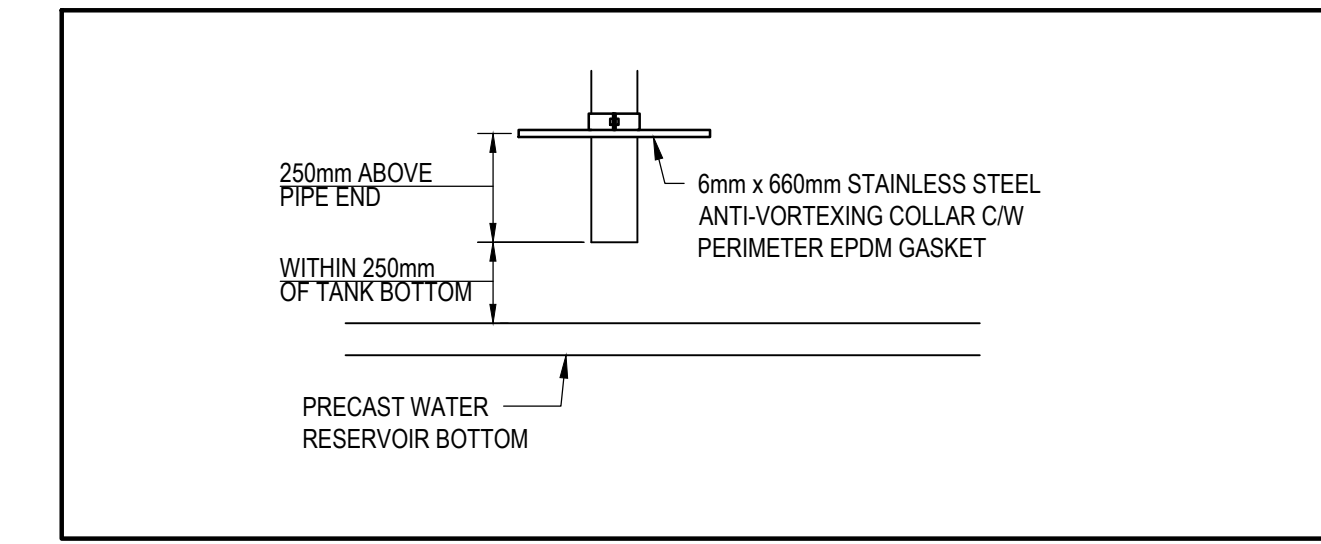
5 TYPICAL ASPHALT EDGE DETAIL (WITHOUT CURB)  
SCALE: N.T.S.



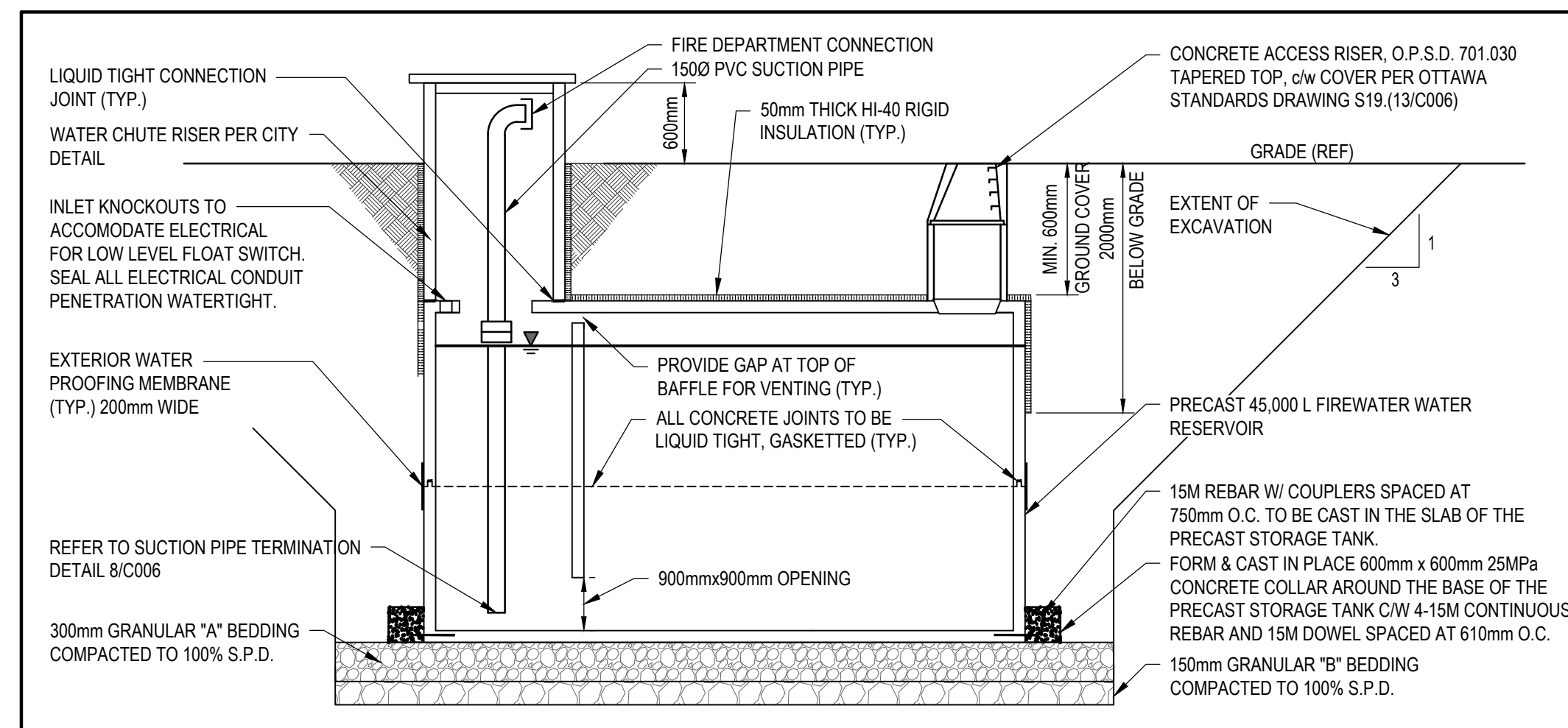
6 TYPICAL SIDEWALK INSULATION DETAIL AT ENTRANCE  
SCALE: N.T.S.



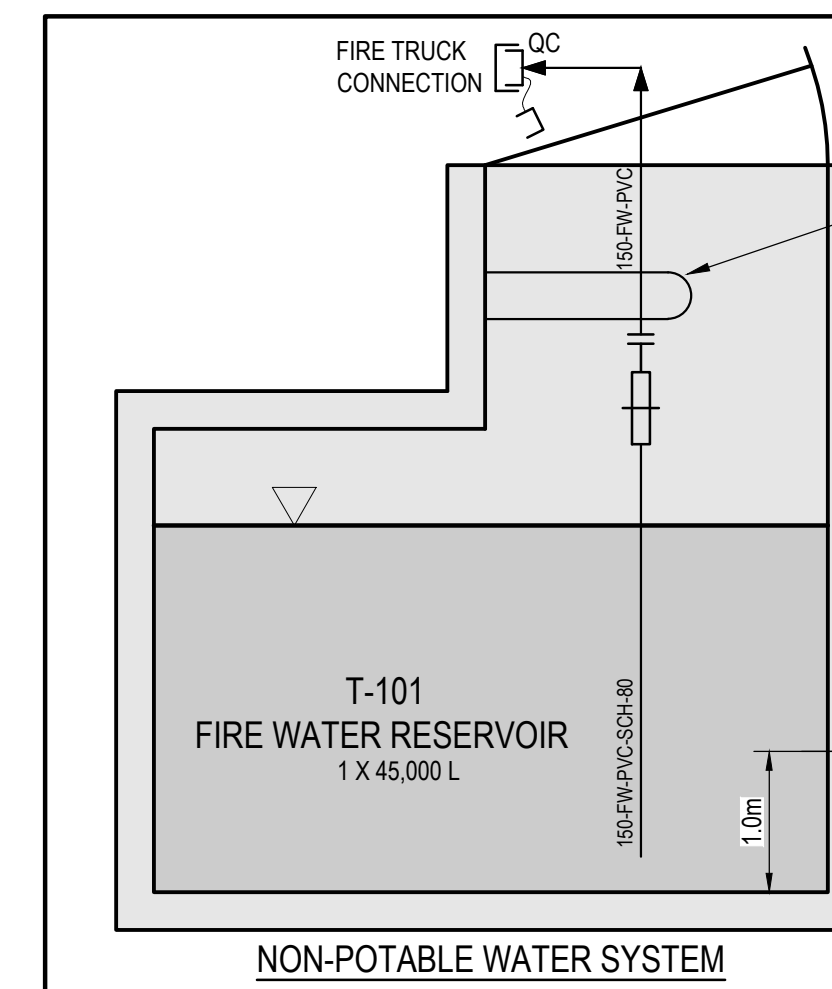
7 TYPICAL STEP CONNECTION DETAIL  
SCALE: 1:25



8 SUCTION PIPE TERMINATION DETAIL  
SCALE: N.T.S.



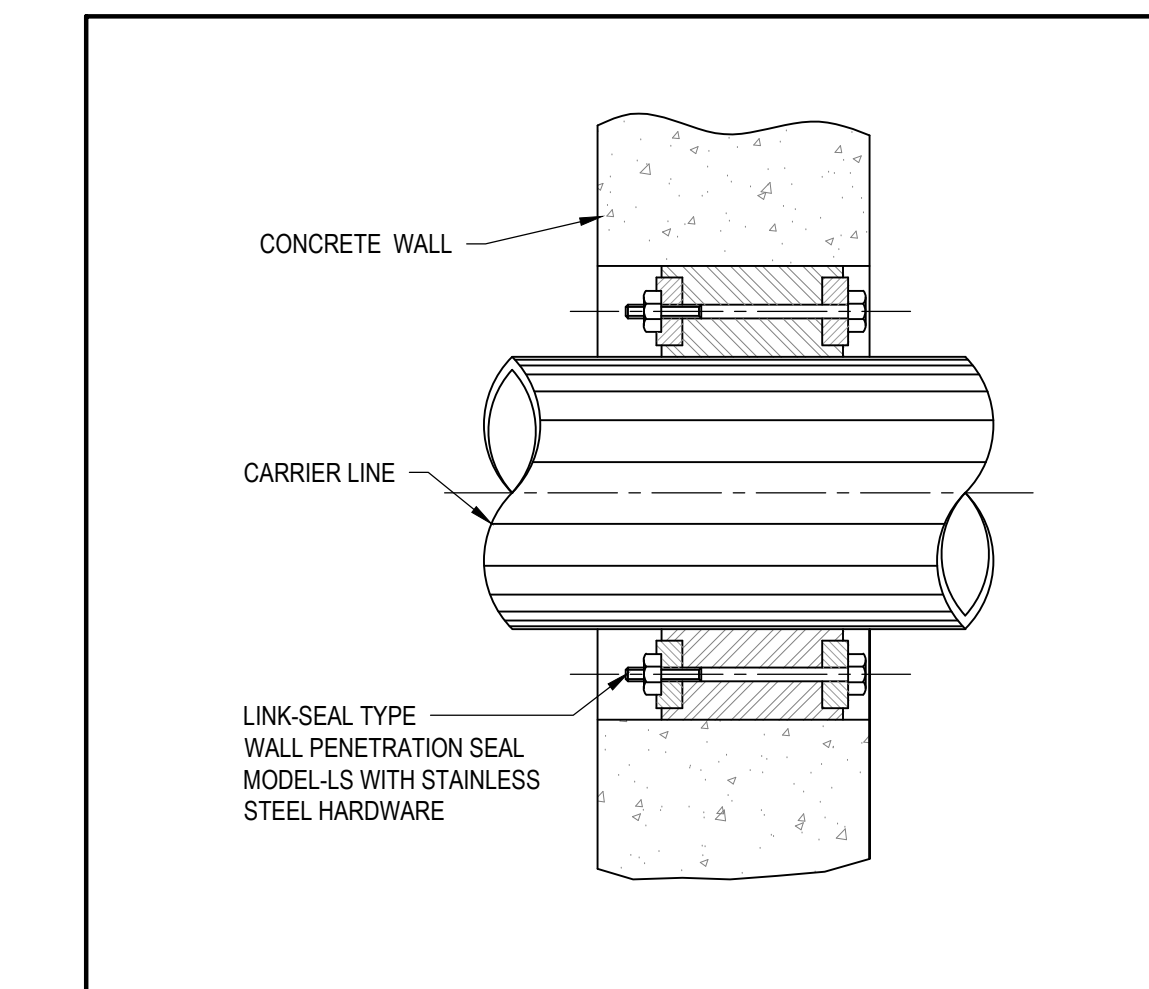
9 CROSS-SECTION: TYPICAL UNDERGROUND FIRE WATER STORAGE TANK  
SCALE: N.T.S.



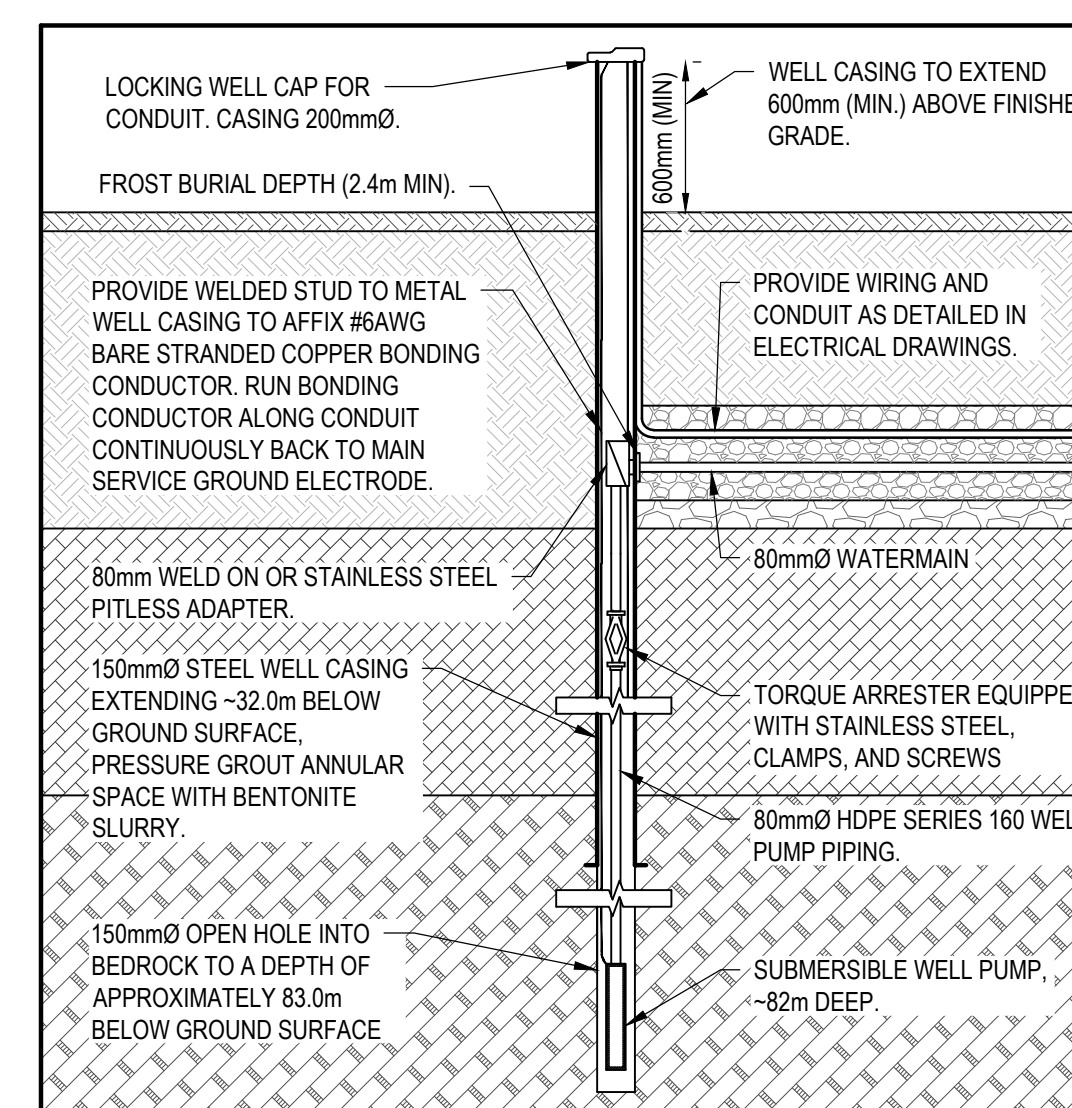
10 NON-POTABLE WATER P&ID  
SCALE: N.T.S.

**GENERAL NOTES**

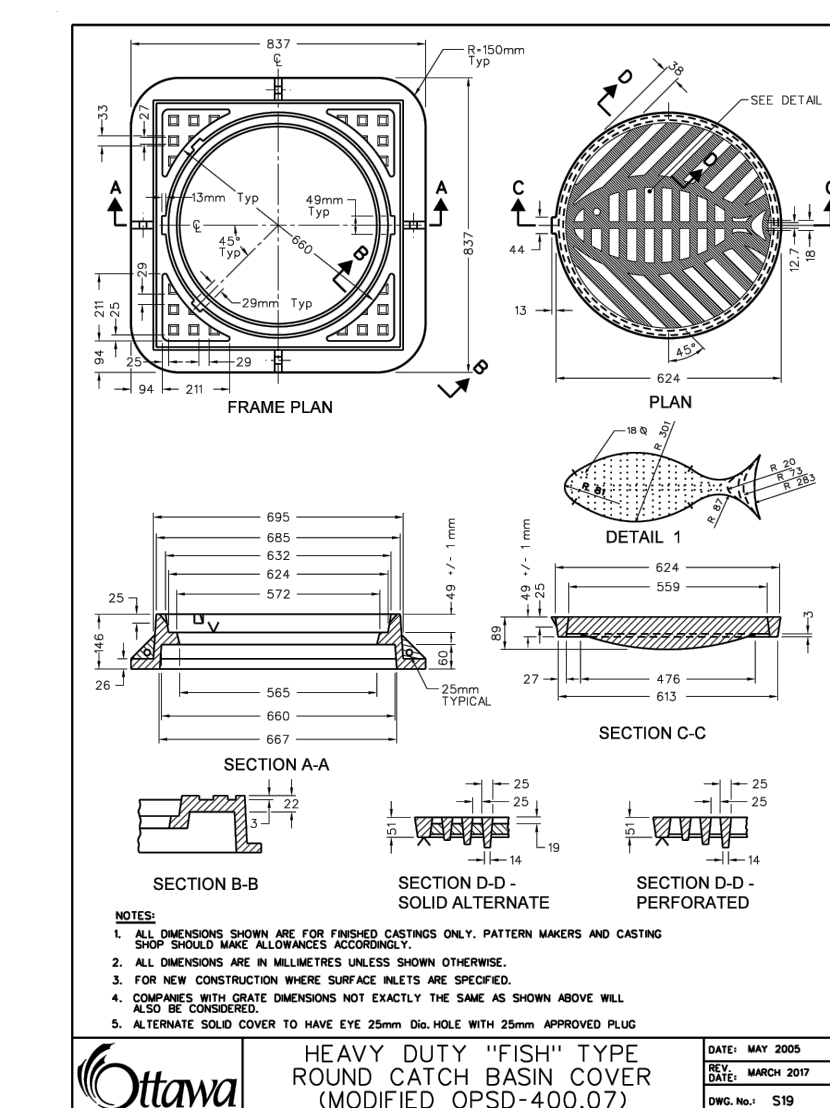
- "SA1" SPEC PIPING SHALL BE SS304/304L, ASTM A312, SCH40 PIPE FOR SIZES 300 AND ABOVE. SIZES 250 AND SMALLER SHALL BE SS304/304L, ASTM A312, SCH80.
- "SA1" SPEC FLANGES SHALL BE SS304/304L, ASTM A182, CLASS 150, SLIP-ON AND/OR WELD NECKS.
- "SA1" SPEC FLANGE BOLTING TO BE ASTM A 193, Gr B8 AND ASTM A194 Gr 8, BOLTS AND NUTS RESPECTIVELY.
- GASKETS SHALL BE FULL FACE 3mm THICK, EPDM, NSF 61 COMPLIANT.
- "SX1" SPEC PIPING SHALL BE SS304, ASTM A269, SEAMLESS O.D. TUBE WITH A WALL THICKNESS OF 1.2mm.
- ALL SS PIPING IS TO BE PICKLED AND PASSIVATED AS PER ASTM A380.



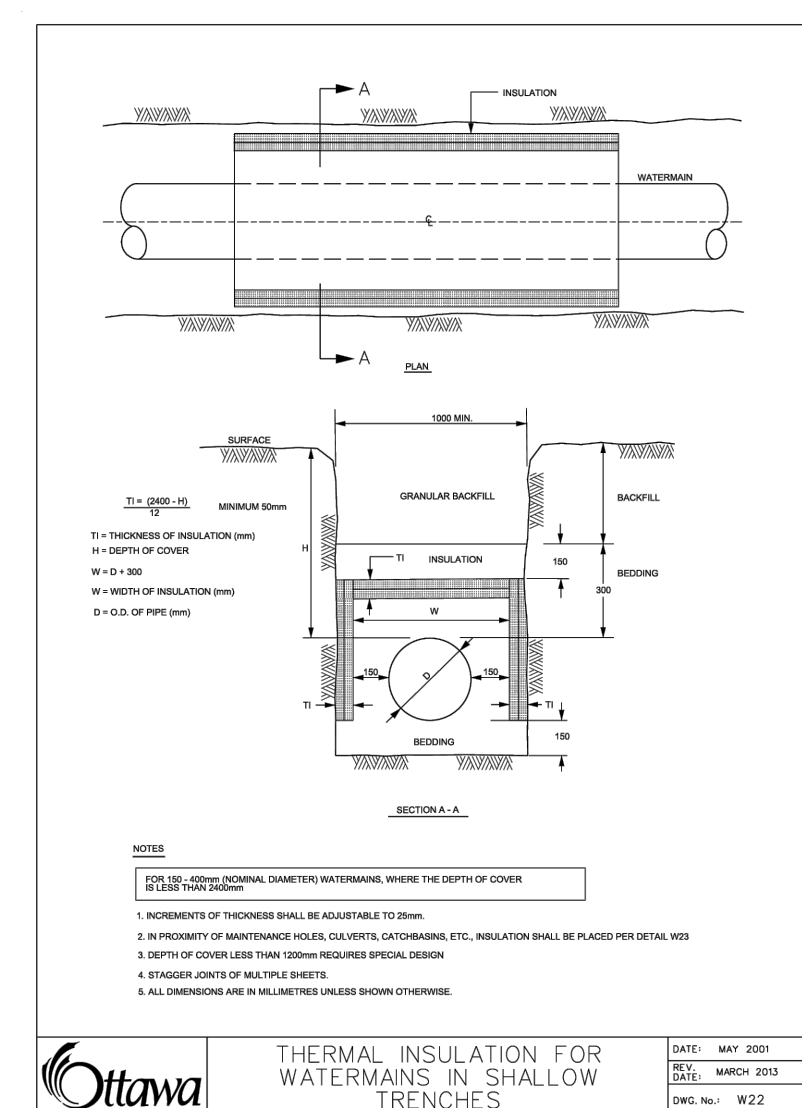
11 TYPICAL PENETRATION SEAL DETAIL  
SCALE: N.T.S.



12 POTABLE WATER WELL DETAIL  
SCALE: N.T.S.



13 MANHOLE DETAIL  
SCALE: N.T.S.

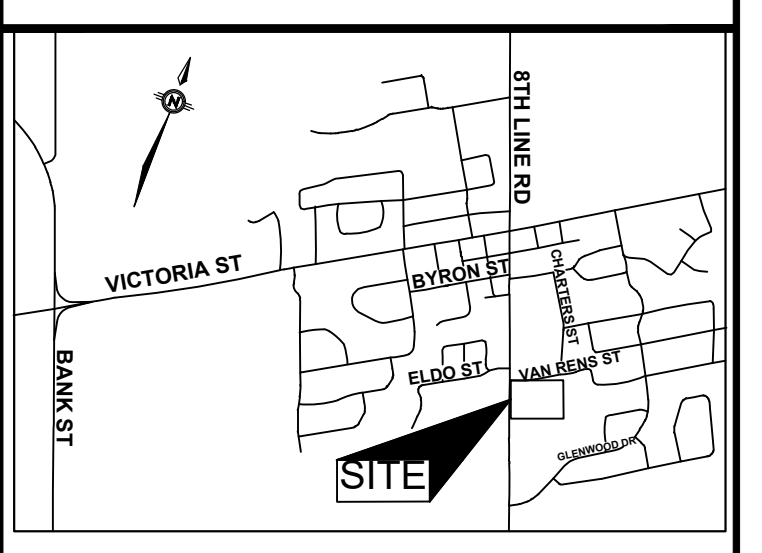


14 FROST PROTECTION DETAIL  
SCALE: N.T.S.

**Ottawa**  
INFRASTRUCTURE SERVICES & COMMUNITY SUSTAINABILITY / SERVICES D'INFRASTRUCTURE ET VIABILITE DES COLLECTIVITES  
INFRASTRUCTURE SERVICES BRANCH / DIRECTION D'INFRASTRUCTURE  
DESIGN AND CONSTRUCTION DIVISION / DIVISION DE LA CONCEPTION ET DE LA CONSTRUCTION  
DEPUTY CITY MANAGER / DIRECTEUR DES SERVICES MUNICIPAUX  
DIRECTOR / DIRECTEUR  
MANAGER / GESTIONNAIRE

FOR / POUR  
INFRASTRUCTURE SERVICES & COMMUNITY SUSTAINABILITY  
INFRASTRUCTURE SERVICES  
DESIGN & CONSTRUCTION - BUILDINGS

**EVB**  
ENGINEERING  
800 SECOND STREET WEST  
CORNWALL, ONTARIO CANADA, K6J 1H6  
TEL: 613-935-3775 | FAX: 613-935-6450  
WEBSITE: EVBengineering.com



KEY PLAN

RE-ISSUED FOR SITE PLAN APPROVAL	2026-01-23
ISSUED FOR SITE PLAN APPROVAL	2025-11-06
NUMBER / NUMERO	1
MILESTONE / FAIT SAISANT	DATE / DATE
DESIGNED BY / CONÇU PAR	CHECKED BY / VÉRIFIÉ PAR
F.L.	F.L.
DRAWN BY / DÉSSINÉ PAR	SCALE
K.B.W./M.K.	AS NOTED
DETAIL NUMBER	PROJECT NORTH
1 DRAWING TITLE	
SCALE	
SHEET NUMBER	

THIS DRAWING IS THE PROPERTY OF THE CITY OF OTTAWA AND ALL COPYRIGHT IS RESERVED. DIMENSIONS ON DRAWING ARE FOR ESTIMATING PURPOSES ONLY. IT IS THE RESPONSIBILITY OF EACH CONTRACTOR AND SUB-CONTRACTOR OR CONSULTANT TO CHECK AND VERIFY ALL DIMENSIONS AND CONDITIONS ON SITE. NOTIFY OWNER OF ANY ERRORS OR OMISSIONS PRIOR TO COMMENCING THE WORK. DO NOT SCALE THE DRAWINGS.

CE Dessin constitue la propriété de la Ville d'Ottawa et tout droit d'auteur est réservé. Les dimensions utilisées le sont à des fins d'estimation seulement. Il incombe à chaque entrepreneur, sous-contractant ou consultant de vérifier toutes les dimensions et les conditions sur le chantier. Veuillez informer le propriétaire de toute erreur ou omission avant d'entreprendre les travaux. Ne dressez pas les plans à l'échelle.

ARCHITECT / ARCHITECTE

CONSULTANT / EXPERT-CONSEIL

**F.R. LAFLÈRE**  
LICENSED PROFESSIONAL ENGINEER  
100149997  
January 23, 2020  
PROVINCE OF ONTARIO

CONSULTANT / EXPERT-CONSEIL

CONSULTANT / EXPERT-CONSEIL

PROJECT / LOCATION / PROJET / ENDROIT  
**LARRY ROBINSON ARENA  
NEW ADDITION**

2785 8th LINE ROAD  
OTTAWA, ONTARIO

DRAWING / DÉSSIN  
**DETAILS**

BUSINESS ENTITY / NUMERO DE L'ENTITE  
BUILDING NUMBER / NUMERO DU BATIMENT

PROJECT NO. / NUMERO DE PROJET  
CF000533

SHEET NO. / FEUILLE NO.  
**C006**