

(0.30 RESERVE)

Site Statistics

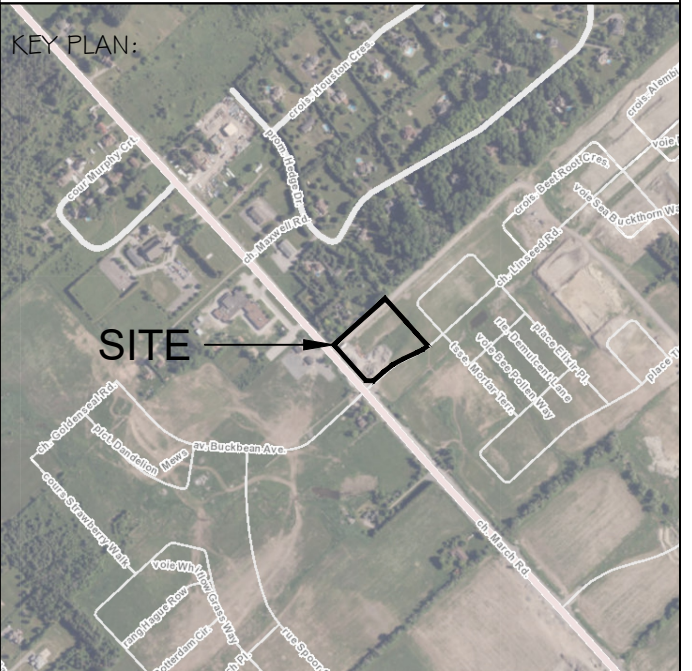
Site Area	10,891 m ²
Paved Area	4,735 m ²
Landscaped Area	2,808 m ²
Building Coverage	3,348 m ²
Gross Floor Area	7,693 m ²
Commercial Gross Floor Area	707 m ²
Total Units	72 Units
	48 Townhouse
	24 Apartment
Density	66UPH

Zoning Provisions

	Required	Proposed	Conforms
GM15(3021) Zone			
Front Yard Setback (min)	3m	6.64m	Y
Corner Side Yard Setback (min)	3m	3.0m	Y
Interior Side Yard Setback (min)	3m	7.25m	Y
Mixed Use	5m	66.74m	Y
Stacked Townhouse	3m	7.25m	Y
Rear Yard Setback (min)	7.5m	7.5m	Y
Lot Coverage Floor Space Index (max)	2	0.69	Y
Building Height (max)	18m	11.4m	Y
Mixed Use	18m	11.4m	Y
Stacked Townhouse	18m	11.4m	Y
Parking Spaces (min)	110 spaces	110 spaces	Y
Commercial (3.4/100m ²)	24 spaces	24 spaces	Y
Residential (1/unit)	72 spaces	72 spaces	Y
Residential Visitor (0.2/unit)	14 spaces	14 spaces	Y
Accessible Spaces	5 spaces	5 spaces	Y
Type A	2 spaces	2 spaces	Y
Type B	3 spaces	3 spaces	Y
Size of Space	2.6 x 5.2m	2.6 x 5.2m	Y
Driveway Width (min)	6m	6.7m	Y
Aisle Width (min)	6.7m	6.7m	Y
Residential Use	6.0m	6.0m	Y
Parking Lot Landscaped Area (min)	15%	28%	Y
Parking Lot Landscaped Buffer (min)			
Abutting a Street	3m	11.99m	Y
Not Abutting a Street	3m	3.56m	Y
Refuse Collection (min)			
Abutting a Public Street	9m	11.99m	Y
From any Lot Line	3m	4.57m	Y
Bicycle Parking (min)	39 spaces	39 spaces	Y
Commercial (1/250m ²)	3 spaces	3 spaces	Y
Residential (0.5/unit)	36 spaces	36 spaces	Y
Amenity Space (min) (6m ² /unit)	432m ²	965m ²	Y
Communal (50% of required)	216m ²	342m ²	Y
Private	N/A	623m ²	Y
Landscaped Area Width (min)			
Abutting a Street	3m	3m	Y
Abutting a Residential Zone	7.5m	7.5m	Y
Cumulative Non-Residential GFA (min)	700m ²	707m ²	Y
Private Way Width (min)	6m	6m	Y
Residential Setback to Private Way (min)	1.8m	3.8m	Y
Separation Area Between Buildings (min)	1.2m	5.14m	Y

- NOTES**
- Property information from Plan 4M-1767, dated July 29, 2025, prepared by J.D. Barnes Limited, 62 Steacie Drive, Suite 103 Kanata, ON K2K 2A9
 - Excess snow to be removed from site at owner's expense
 - Building A, B, and D to be serviced by in ground waste collection bins. Building C to be serviced by internal waste room, with external pick-up area.

UNIT 10-163 STERLING ROAD TORONTO, ON CANADA M8R 2B2 PH: 437.700.5446
 UNIT 101-45 SPENCER STREET OTTAWA, ONTARIO K1V 2P5 PH: 437.700.5446 / 613.897.1237



LEGEND:

- PROPERTY LINE
- BUILDING
- ASPHALT
- CONCRETE
- CURB CUT
- LANDSCAPED
- BARRIER FREE PARKING
- BARRIER FREE PARKING SIGN
- EV CHARGING SPACE
- BUILDING ENTRANCE
- VISITOR PARKING
- COMMERCIAL PARKING
- FIRE ROUTE
- FIRE ROUTE SIGN
- PROPOSED FIRE HYDRANT
- PROPOSED SANITARY SEWER MANHOLE
- PROPOSED STORM SEWER MANHOLE
- PROPOSED CATCHBASIN MANHOLE
- PROPOSED CATCHBASIN
- EXISTING STREET TREE
- SIAMESE CONNECTION

03	REISSUED FOR SPA	2026-03-19
02	REISSUED FOR SPA	2025-12-18
01	ISSUED FOR SPA	2025-11-10
NO.	REVISION:	DATE:

GENERAL NOTES:
 ALL MEASUREMENTS ARE IN METRIC UNLESS SPECIFIED OTHERWISE. DO NOT SCALE THE DRAWINGS.
 COPYRIGHT RESERVED: THIS DRAWING IS THE EXCLUSIVE PROPERTY OF URBANTYPOLOGY INC. AND SHALL NOT BE REPRODUCED OR USED FOR PURPOSES OTHER THAN INTENDED BY THE OWNER WITHOUT PERMISSION.

IT IS THE RESPONSIBILITY OF THE OWNER TO:
 • VERIFY ALL DIMENSIONS AND CONDITIONS ON SITE.
 • REPORT ALL ERRORS AND/OR OMISSIONS TO THE CONTRACT ADMINISTRATOR.
 • COMPLY WITH ALL PERTINENT CODES, BY-LAWS AND LAWS.
 • VERIFY LOCATION OF ALL UNDERGROUND SERVICES AND UTILITIES WITH RESPECTIVE AUTHORITIES PRIOR TO COMMENCEMENT OF WORK.

PROJECT TEAM:

LANDSCAPE ARCHITECTURE URBANTYPOLOGY UNIT 10-163 STERLING ROAD TORONTO, ONTARIO M8R 2B2 PH: 437.700.5446	PLANNING FOTENIM 450 OGDON STREET OTTAWA, ON K2P 1A4	ARCHITECTURE BHM STUDIO 100 KING STREET WEST, 3RD FLOOR TORONTO, ONTARIO M5X 1C5 PH: 416.593.8888
TRANSPORTATION CGH TRANSPORTATION 1700 SHEPPARD AVENUE EAST, SUITE 201 SCARBOROUGH, ONTARIO M1S 1T7	CIVIL ENGINEER STANTEC 300-1231 COTTRELL AVENUE OTTAWA, ON K2C 3S4	KOHM 110 SPADINA AVENUE, SUITE 501 TORONTO, ONTARIO M5S 2S1

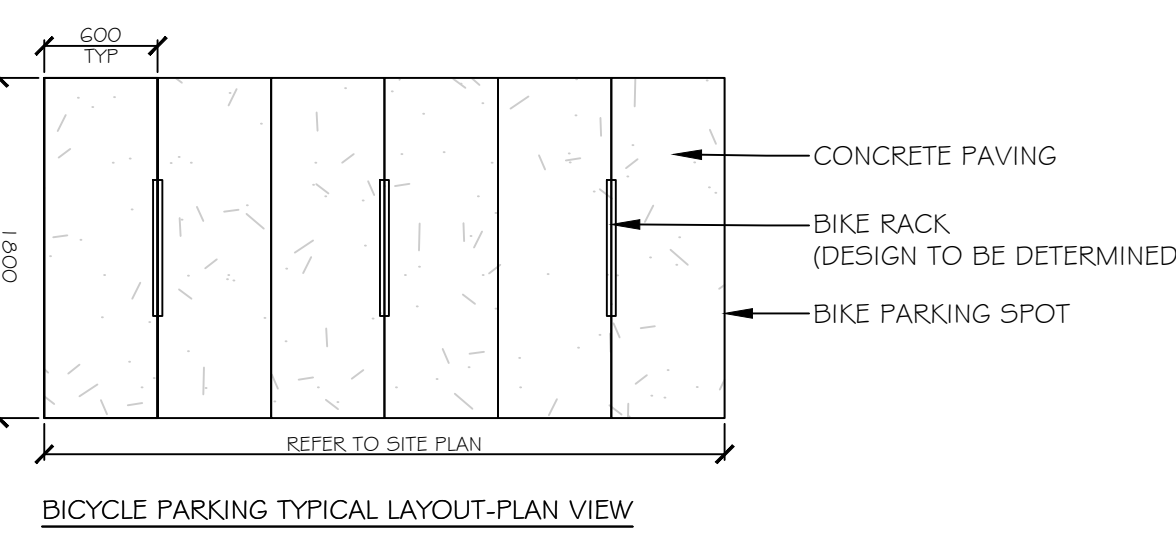
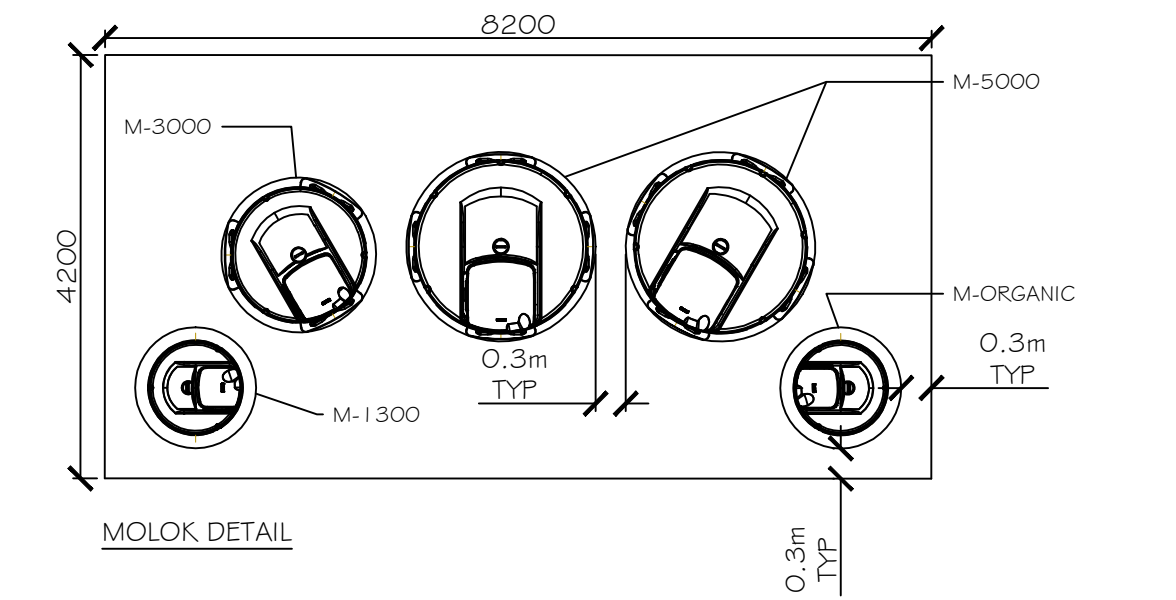


PROJECT INFORMATION:
 NORTHWOODS PHASE 6
 1020-1070 MARCH ROAD
 PH: 04527-1016
 Block 188 Plan 4M-1767

TITLE:

SITE PLAN

FILE NO.:	25.08
DATE:	2025-11-05
DRAWN:	VG
CHECKED:	JH
SCALE:	1:250
SHEET NO.:	SP1.0



Last Save: 2026-03-19 4:31:51 PM
 File Location: C:\GP\Urbantypology\ICOUT\Projects - Documents\BUT - Mattamy Ottawa - Northwood P6 17 Design\2025-09-30 Phase 6 SPA\2025-03-04 Northwood Phase 6 SPA.dwg
 Plot Location: C:\GP\Urbantypology\ICOUT\Projects - Documents\BUT - Mattamy Ottawa - Northwood P6 17 Design\2025-09-30 Phase 6 SPA\2025-03-04 Northwood Phase 6 SPA.dwg

D07-12-25-01-46; PLAN # 19393