

DESIGN FOR ACCESSIBLE WASHROOM

4011 VAUGHAN SIDE ROAD, CARP, ON
HIDDEN POND WINERY

DIMENSION NOTES

- EXISTING DIMENSIONS ARE FIELD MEASUREMENTS AND MAY VARY FROM SITE CONDITIONS.
- THE CONTRACTOR IS TO VERIFY ALL DIMENSIONS OF THE EXISTING CONDITIONS ON SITE AND REPORT ANY DISCREPANCIES TO THE ENGINEER BEFORE PROCEEDING WITH FABRICATION.
- ALL DIMENSIONS ARE FIELD MEASUREMENTS AND APPROXIMATE THE EXISTING PLAN, ELEVATIONS AND LAYOUT. NO PRECISION, ACCURACY NOR TOLERANCE IS IMPLIED IN THESE DIMENSIONS.
- FIELD MEASUREMENTS OF EXISTING CONDITIONS HAVE INHERENT ERRORS THAT MUST BE CONFIRMED BY THE CONTRACTOR. THE PROFESSIONAL ENGINEER'S STAMP DOES NOT ASSUME LIABILITY OF ERROR FOR ANY FIELD MEASUREMENTS.
- DRAWINGS ARE METRIC AND GOVERN OVER IMPERIAL DIMENSIONS SHOWN.

GENERAL NOTES

- PROJECT SHALL CONFORM WITH THE FOLLOWING CODES/STANDARDS:
 - ONTARIO BUILDING CODE 2024 (OBC 2024)
- AS PER SECTION 53 OF O.REG 941, THESE DRAWINGS CAN ONLY BE USED FOR THE INTENDED PURPOSE AS INDICATED IN THE TITLE BLOCK.

SHOP DRAWINGS

- CONTRACTOR IS REQUIRED TO SUBMIT THE FOLLOWING SHOP DRAWINGS, SPECIFICATIONS, AND DETAILS FOR APPROVAL BY THE COORDINATING LICENSED PROFESSIONAL AND PRODUCTION OF CONSTRUCTION DRAWINGS.
 - INTERIOR DESIGN & LAYOUTS (COLOURS, KITCHENS, BATHROOMS)
 - PROPRIETARY FASTENERS, AND PRODUCTS NOT SPECIFIED,
 - ELECTRICAL DESIGN & LAYOUT,
 - MECHANICAL/HVAC DESIGN & LAYOUT, AND
 - PLUMBING DESIGN & LAYOUT.

HANDRAILS

- TYPICAL DETAILS SHOWN. FINAL STYLE AND DETAILS MAY DIFFER. CONTRACTOR TO SUBMIT SHOP DRAWINGS FOR REVIEW AND APPROVAL.
- HANDRAILS WERE DESIGNED TO 9.8. ONTARIO BUILDING CODE DIVISION B.
- HANDRAILS DESIGNED FOR A CONCENTRATED LOAD OF 0.9KN AND A UNIFORM LOAD OF 0.9KN/m APPLIED AT ANY POINT TO 9.8.7.7.

OBC 2024 PART 9 NOTES

- CONSTRUCTION IS TO COMPLY WITH ALL REQUIREMENTS OF PART 9 OF THE ONTARIO BUILDING CODE 2024 AS REFERENCED. THE ONTARIO BUILDING CODE IS AVAILABLE ONLINE AT <https://www.ontario.ca/laws/regulation/120332>.

MATERIALS, SYSTEMS AND EQUIPMENT (SECTION 9.3)

- CONCRETE SHALL CONFORM TO ALL REQUIREMENTS OF SUBSECTION 9.3.1. (U.N.O.).
- LUMBER AND WOOD PRODUCTS SHALL CONFORM TO SUBSECTION 9.3.2. (U.N.O.).

DESIGN OF AREAS, SPACES AND DOORWAYS (SECTION 9.5)

- STUD WALLS TO BE REINFORCED IN THE MAIN BATHROOM TO PERMIT THE FUTURE INSTALLATION OF GRAB BARS: (SEE ARTICLE 9.5.2.3)
 - FOR A WATER CLOSET, CLAUSES 3.8.3.8.(3)(a) AND 3.8.3.8.(3)(c).
 - FOR A SHOWER, CLAUSE 3.8.3.13.(2)(f).
 - FOR A BATHTUB, CLAUSE 3.8.3.13.4(4)(c).
- MINIMUM DOOR SIZES SHALL CONFORM TO SUBSECTION 9.5.11. SEE TABLE 9.5.11.1.

HANDRAILS (SECTION 9.8)

- ALL INTERIOR HANDRAILS SHALL CONFORM TO SECTION 9.8.
- HANDRAILS LOCATED AS A MEANS OF EGRESS SHALL ADDITIONALLY CONFORM TO SECTION 9.9.
- CONTRACTOR TO SUBMIT SHOP DRAWINGS OF ANY PRE-MANUFACTURED PRODUCTS USED FOR REVIEW BY THE DESIGNER.

VENTILATION (SECTION 9.32)

- VENTILATION OF ROOMS BY NATURAL VENTILATION AND SELF-CONTAINED MECHANICAL VENTILATION SYSTEMS SHALL CONFORM TO SECTION 9.32.
- NATURAL VENTILATION TO COMPLY WITH TABLE 9.32.2.1.
- MECHANICAL VENTILATION TO COMPLY WITH SENTENCE 9.32.3.2 AND PART 6.

HEATING AND AIR CONDITIONING (SECTION 9.33)

- HVAC SYSTEM TO BE DESIGNED BY THE INSTALLER.
- DESIGN AND INSTALLATION OF HEATING AND AIR CONDITIONING SHALL CONFORM TO SECTION 9.33 AND PART 6.
- CARBON MONOXIDE ALARMS TO BE PROVIDED ADJACENT TO ALL SLEEPING AREAS AND GARAGE.

ELECTRICAL FACILITIES (SECTION 9.34)

- ELECTRICAL SERVICES TO COMPLY WITH SECTION 9.34.
- ELECTRICAL SYSTEM TO BE DESIGNED BY THE INSTALLER AND IS SUBJECT TO ELECTRICAL SAFETY AUTHORITY PERMITTING.

Ontario Building Code Data Matrix Part 9 Housing and Small Buildings				
Building Code Version: O. Reg. 163/24 Last Amendment: O. Reg. 447/24				Building Code Reference
Project Type:	Renovation			Div. A.11.2.
	Description:	Design Accessible Washroom		
Major Occupancy Classification	Occupancy	Use		Div. B. 9.10.2.
		Group F-3 (Low Hazard Industrial) Group E (Mercantile)		
Superimposed Major Occupancies	Yes			Div. B. 9.10.2.3.
	Description:	Group E (Mercantile)		
Building Area (m²)	Description	Existing	New	Total
	F-3 (Winery)	92.9	0	92.9
	E (Shop)	57.1	0	57.1
	Total:			150
Gross Area (m²)	Description	Existing	New	Total
	Main floor	150	0	150
	Total:			150
	Stores Above Grade:	1	Height Above Grade:	5.5m
Building Height	Stores Below Grade:	0		Div. A. 1.4.1.2. Div. B. 9.10.4.
Number of Streets & Firefighter Access	Streets: 1			Div. B. 9.10.20.
Sprinkler System	Not Required			Div. B. 9.10.8.2.-4.
Fire Alarm System	Not Required			Div. B. 9.10.18.
Water Service is Adequate	NA			
Construction Type	Restrictions: No Actual: N/A Heavy Timber Construction: No			Div. B. 9.10.6.
Post Disaster Building	Normal Occupancy, Not a Post Disaster Building			Div. A. 1.1.1.2.2.(2).
Occupant Load	Floor Level/Area	Occupancy Type	Based On	Occupant Load (Persons)
	F-3	Low Hazard Industrial	per design	4
	E	Mercantile	3.7/m ²	15
Barrier Free Design	Yes - 1			Div. B. 9.5.2.
Hazardous Substances	No			Div. B. 9.10.1.3.
Plumbing Fixture Requirements	Ratio: 1:1, Male:Female, Unless noted otherwise			
	Floor Level/Area	Occupant Load	OBC Reference	Fixtures Required
	F-3	4	Div. B. 3.7.4.8.(3)	0
	E	15	Div. B. 3.7.4.9.(2)	2

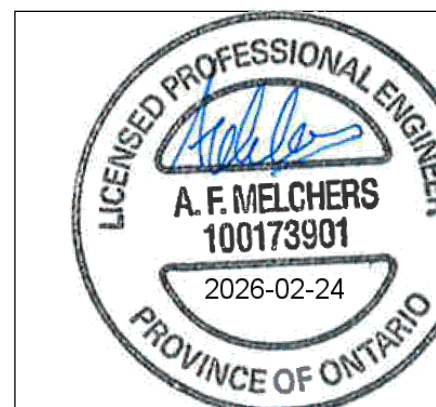
Ontario Building Code Data Matrix Part 11 Renovation				
Building Code Version: O.Reg. 332/12 Last Amendment: O. Reg. 191/14				Building Code Reference
Building Size	Small	Description: T11.2.1.1-K for Stores (Variety)		Div. B. T.11.2.1.1.B.-N.
Existing Building Classification	Change in Major Occupancy:	No Change		Div. B. 11.2.1.1.
	Construction Index:	3		
	Hazard Index:	4		Div. B. T.11.2.1.1.B.-N.
	Importance Category:	Normal		Div. B. 4.2.1.(3). Div. B. 5.2.2.1.(2)
Renovation Type	Basic Renovation			Div. B. 11.3.3.1 Div. B. 11.3.3.2.
Barrier Free Design	Description: New Accessible Washroom			Div. B. 9.5.2.
Reduction in Performance Level	Structural:	No		Div. B. 11.4.2.1
	By Increase in occupant load:	No-Existing to remain		Div. B. 11.4.2.2
	By change of major occupancy:	No		Div. B. 11.4.2.3
	Plumbing:	No		Div. B. 11.4.2.4
	Sewage-systems:	No		Div. B. 11.4.2.5
	Extension of Combustible Construction	No		Div. B. 11.4.2.6
Compensating Construction	General:	No		Div. B. 11.4.3.1.
	Structural:	No		Div. B. 11.4.3.2.
	Increase in occupant load:	No		Div. B. 11.4.3.3.
	Change in Major Occupancy:	No		Div. B. 11.4.3.4.
	Plumbing:	No		Div. B. 11.4.3.5.
	Sewage Systems	No		Div. B. 11.4.3.6.
Compliance Alternatives Proposed	Extension of Combustible Construction			Div. B. 11.4.3.7.
	No			Div. B. 11.5.1.



DOOR SCHEDULES

NOTE: CONTRACTOR TO CONFIRM ALL WINDOW AND DOOR SIZES PRIOR TO ORDERING, CONFIRM ANY DISCREPANCIES WITH THE DESIGNER

ALL DRAWINGS ARE NOT TO SCALE
DO NOT SCALE THE DRAWINGS



PART 9

THIS DOCUMENT WAS DIGITALLY SEALED. CONTACT US TO VERIFY AUTHENTICITY. THIS DRAWING CANNOT BE RELIED UPON UNLESS SEALED AND SIGNED.

CLIENT

HIDDEN POND WINERY

4011 Vaughan Side Road, Carp, ON, K0A 1L0 | horne83@gmail.com | 343-575-4790

DESIGNER



PLANNING
LAND DEVELOPMENT
ENGINEERING
BUILDING DESIGN

inengineering.ca | Brockville, Ottawa, Kingston | engineering@ineng.ca

1	ET	February 18, 2026	ISSUED FOR PERMIT
NO.	BY	DATE	REVISIONS
REVIEWER	DESIGNER	DRAFTER	FILE NO.
AFM	ET	ET	12486

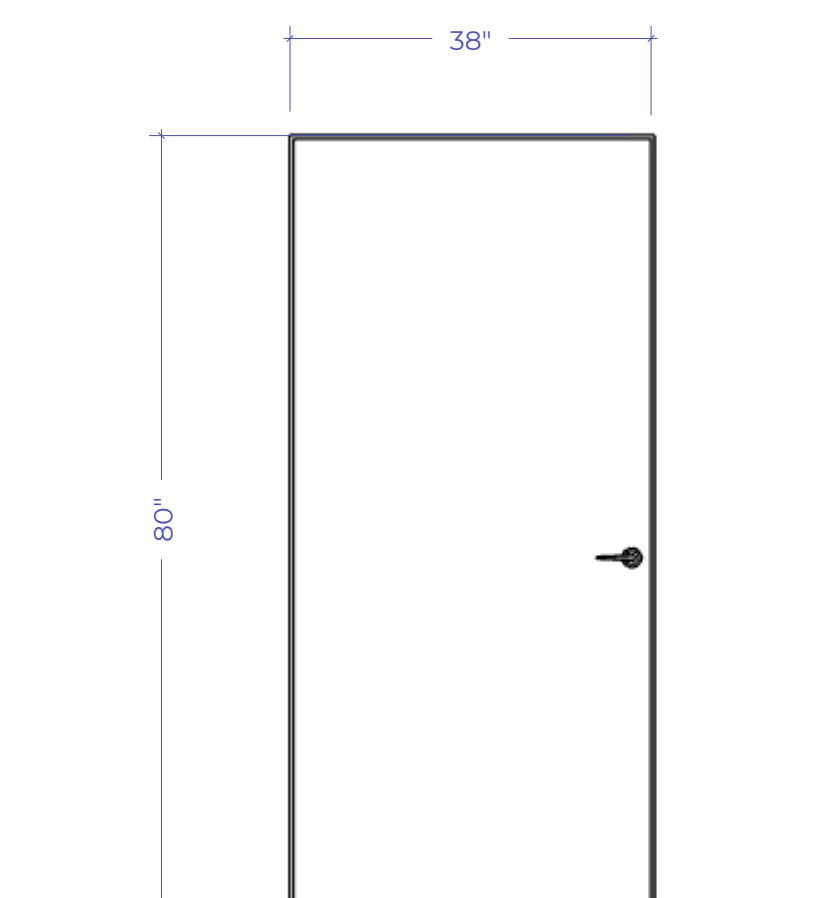
Design for Accessible Washroom
4011 VAUGHAN SIDE ROAD, CARP, O

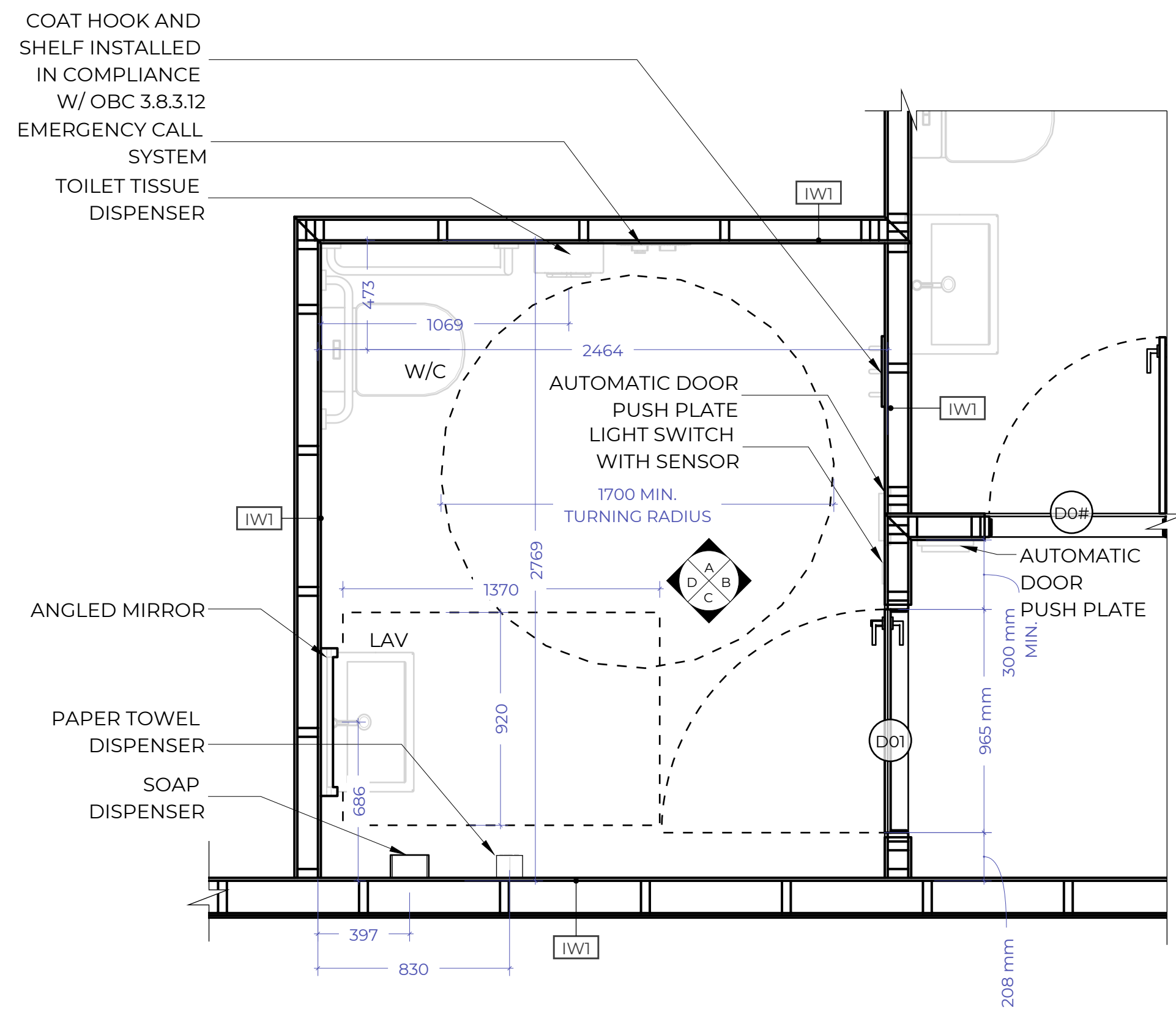
GENERAL ARRANGEMENT

COVER PAGE

GA-0

SHEET NUMBER	SHEET NAME
GA-0	COVER PAGE
A-1	MAIN FLOOR PLAN & DETAILS

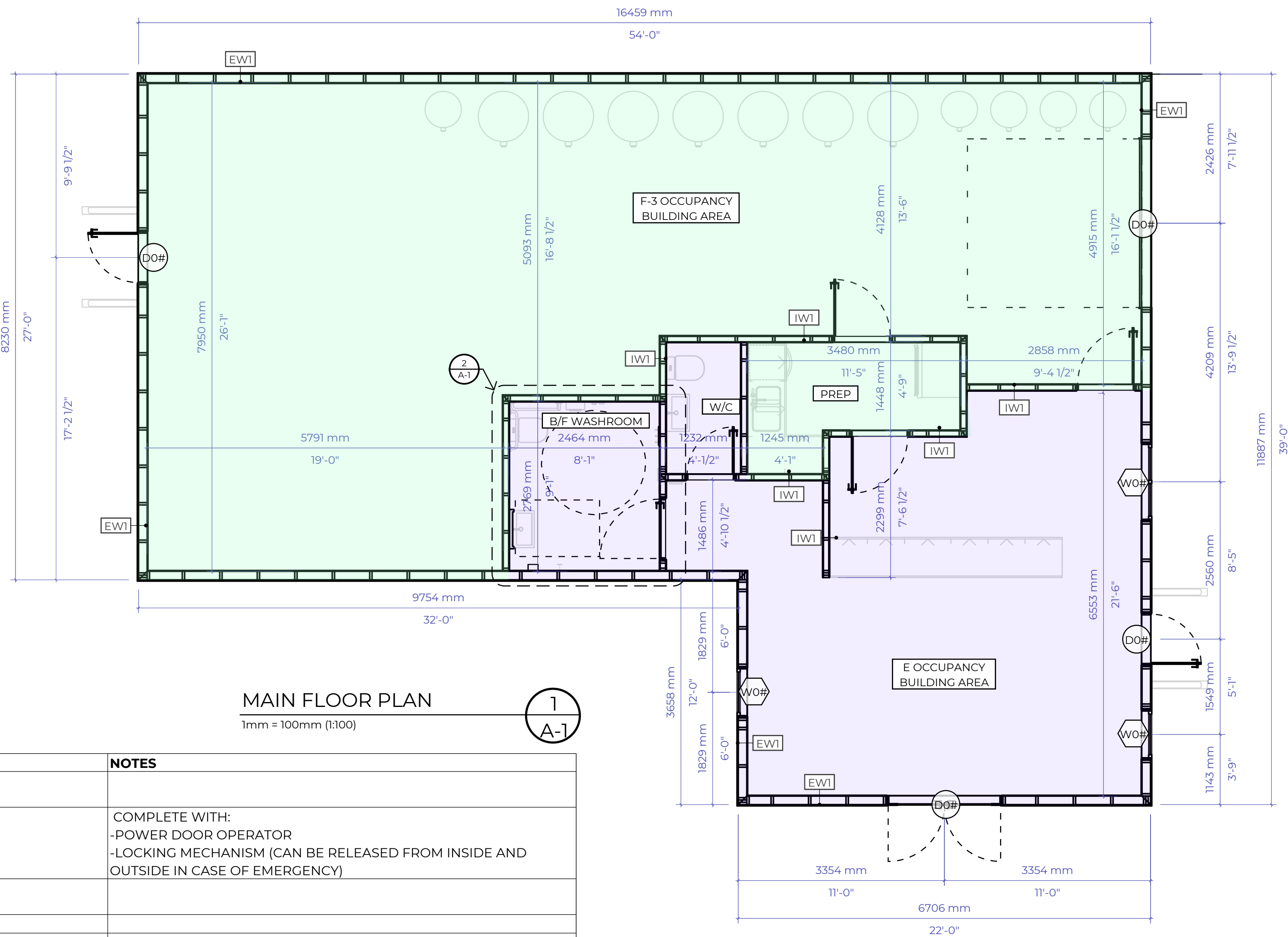




ENLARGED ACCESSIBLE WASHROOM PLAN

1mm = 20mm (1:20)

2
A-1

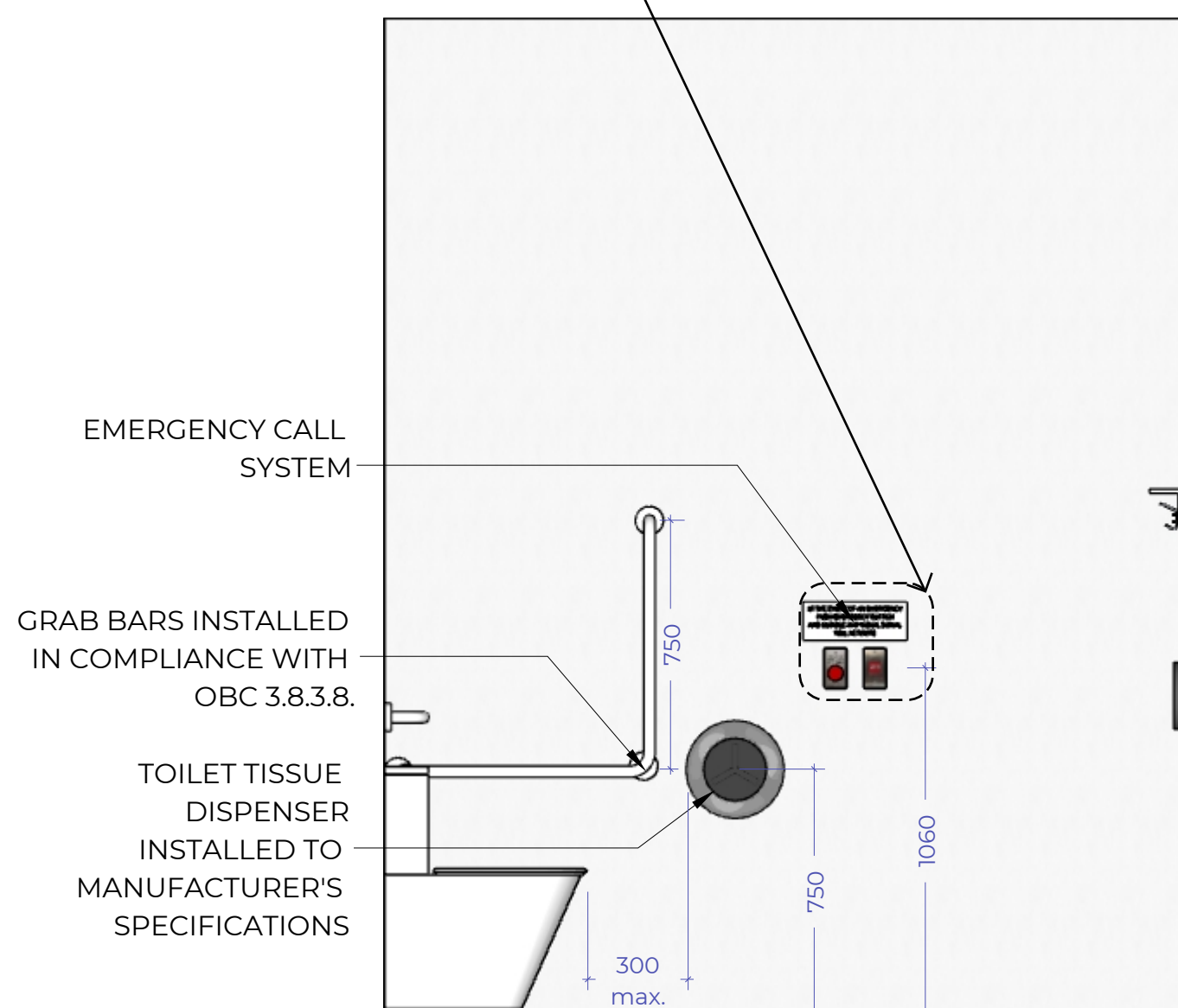
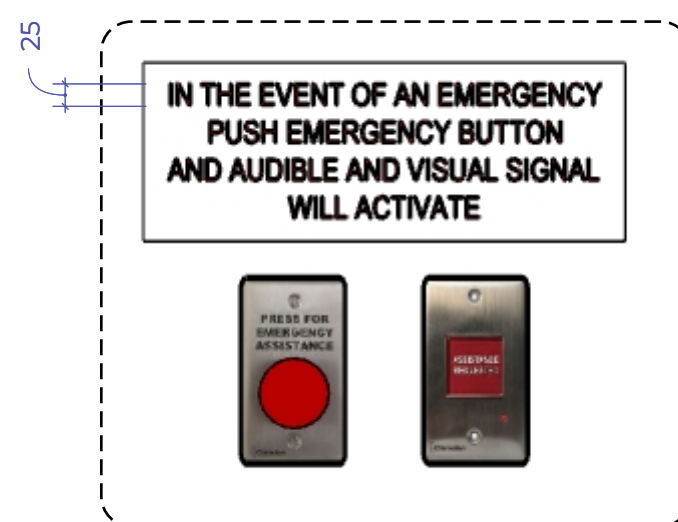


MAIN FLOOR PLAN

1mm = 100mm (1:100)

1
A-1

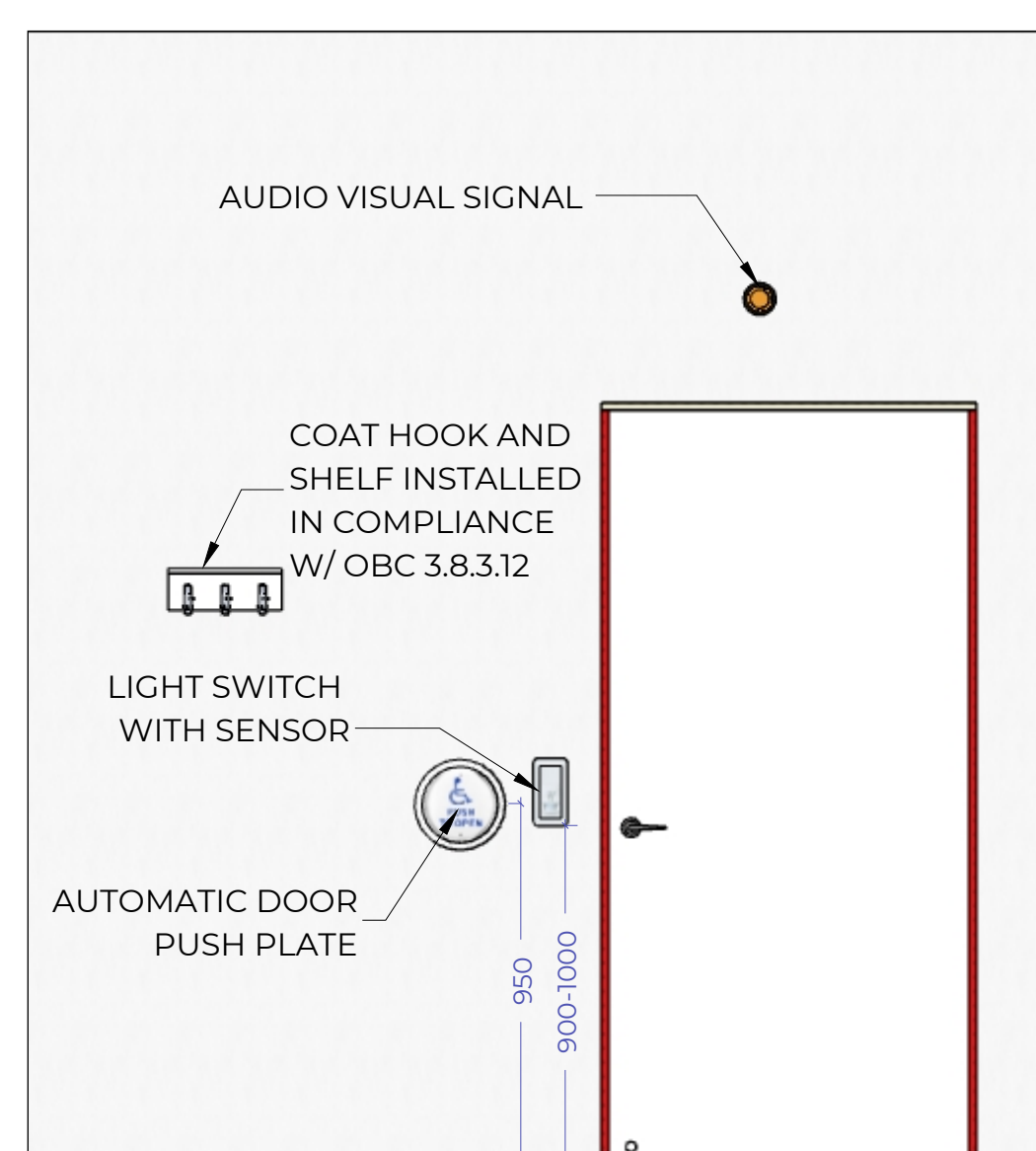
DESCRIPTION	DIMENSIONS	NOTES
UNISEX UNIVERSAL WASHROOM SIGN		
ACCESSIBLE ENTRANCE DOOR	min. 860mm CLEAR WIDTH	COMPLETE WITH: -POWER DOOR OPERATOR -LOCKING MECHANISM (CAN BE RELEASED FROM INSIDE AND OUTSIDE IN CASE OF EMERGENCY)
GRASPABLE OPERATING HANDLE & LOCKING MECHANISM	900mm TO 1000mm A.F.F.	
CLEAR TURNING RADIUS	RADIUS OF 1700mm	
STANDARD WASHROOM AMENITIES	600mm TO 120mm A.F.F.	MIRROR, SOAP DISPENSER, HAND DRYER, TOILET PAPER DISPENSER
HORIZONTAL GRAB BAR	600mm LONG, 840mm TO 920 mm A.F.F. 150mm ABOVE TOILET TANK	ANCHORED TO BLOCK WALL, APPLIED min. FORCE OF 1.3 kN
FOLDABLE GRAB BAR	760mm LONG, 390mm TO 410mm A.F.F.	
MOTION SENSORED LIGHT & SWITCH		
AUDIBLE & VISUAL ALARM	900mm A.F.F.	LOCATED ON INTERIOR & EXTERIOR
CLEAR SPACE FOR VANITY	920mm x 1370mm	
POWER DOOR OPERATOR	900mm A.F.F.	
TOILET	SEAT BETWEEN 430mm TO 485mm HIGH, 460mm FROM CL TO SIDE WALL	
ACCESSIBLE VANITY, SINK & FAUCET	TOP 820mm A.F.F. KNEE HEIGHT OF 685mm	
EMERGENCY SIGN (BILINGUAL)		"IN THE EVENT OF AN EMERGENCY PUSH BUTTON AND SIGNAL WILL ACTIVATE"



BF WASHROOM ELEVATION A

1mm = 20mm (1:20)

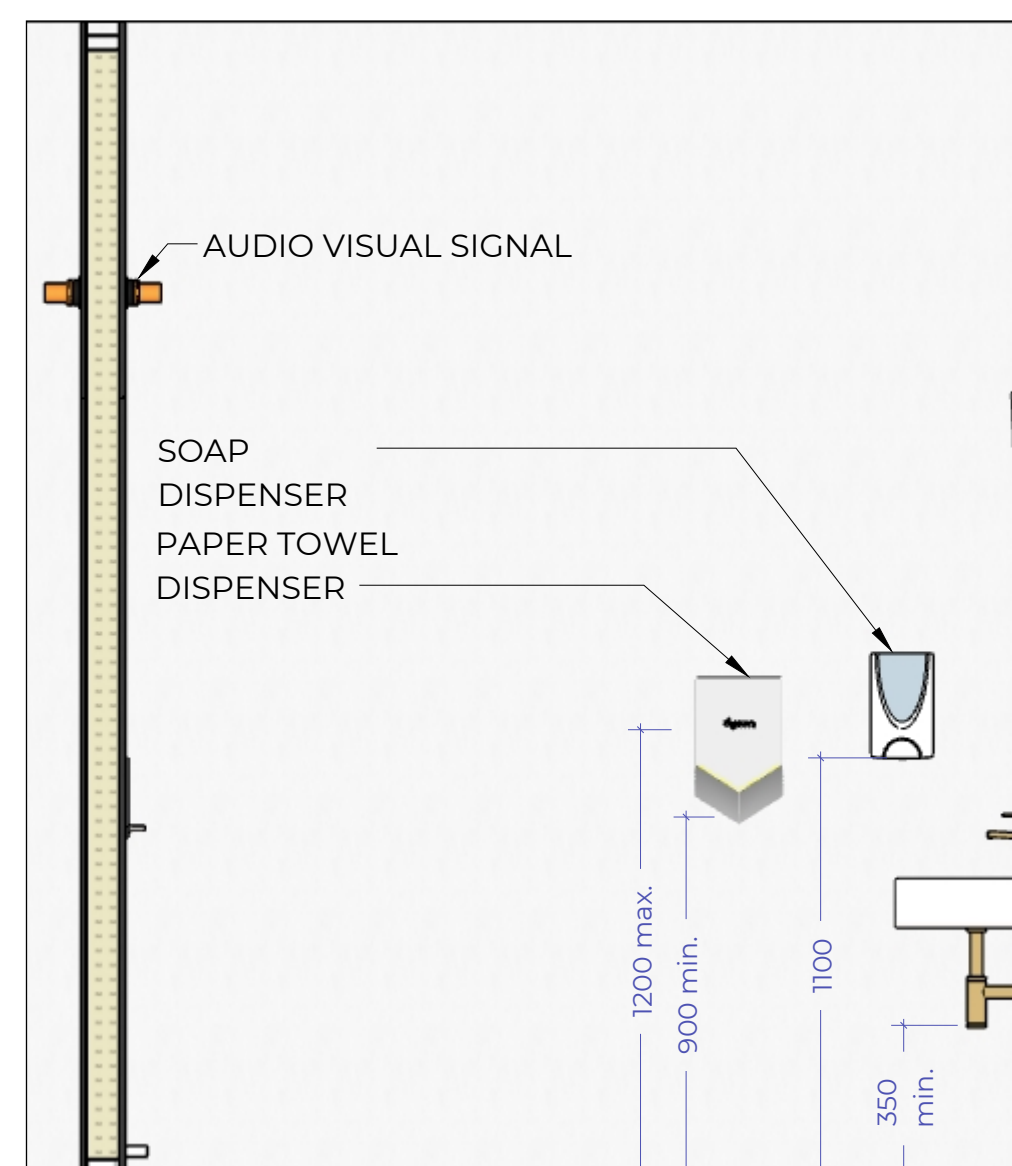
A
A-1



BF WASHROOM ELEVATION B

1mm = 20mm (1:20)

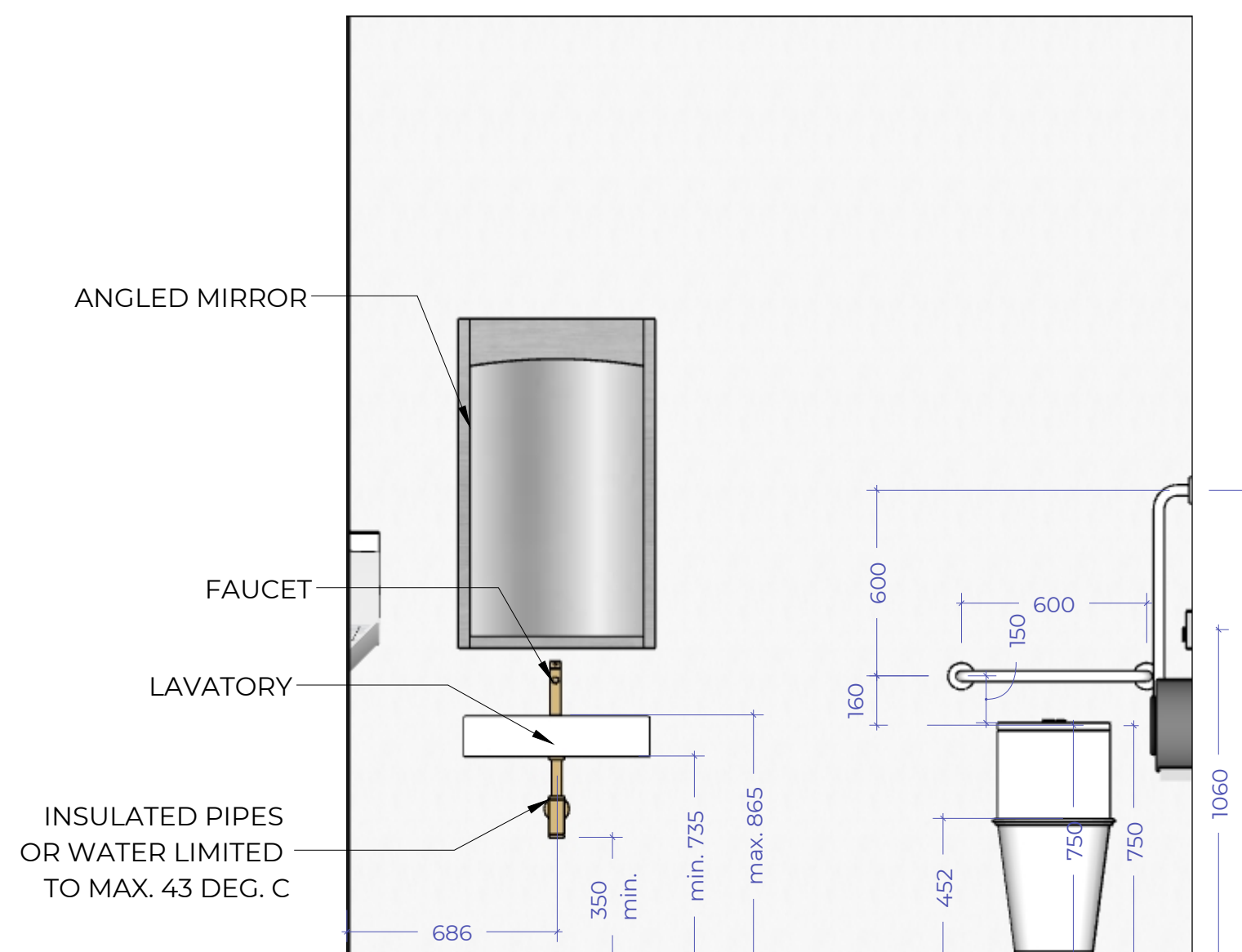
B
A-1



BF WASHROOM ELEVATION C

1mm = 20mm (1:20)

C
A-1



BF WASHROOM ELEVATION D

1mm = 20mm (1:20)

D
A-1

SYMBOL LEGEND

FLOOR ASSEMBLIES

E1 - EXISTING MAIN FLOOR CONSTRUCTION (TO REMAIN - OUT OF SCOPE)

WALL ASSEMBLIES

EW1 - EXISTING EXTERIOR WALL (BOARD & BATTEN SIDING) (TO REMAIN - OUT OF SCOPE)

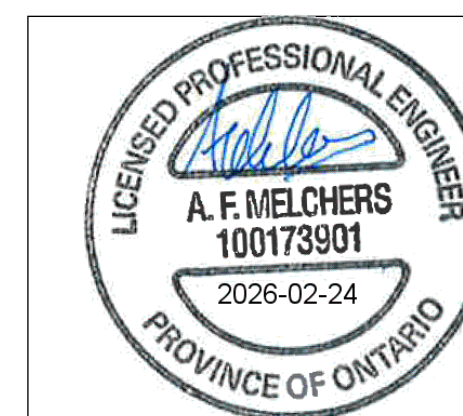
IW1 - EXISTING INTERIOR WALL (TO REMAIN - OUT OF SCOPE)

ROOF ASSEMBLY

R1 - EXISTING HYBRID RAFTER & TIMBER TRUSS FRAMING ROOFING (TO REMAIN - OUT OF SCOPE)

DO# EXISTING DOORS

WO# EXISTING WINDOWS



PART 9

THIS DOCUMENT WAS DIGITALLY SEALED. CONTACT US TO VERIFY AUTHENTICITY. THIS DRAWING CANNOT BE RELIED UPON UNLESS SEALED AND SIGNED.

CLIENT

HIDDEN POND WINERY

4011 Vaughan Side Road, Carp, ON, K0A 1L0 | horne83@gmail.com | 343-575-4790

DESIGNER



inengineering.ca | Brockville, Ottawa, Kingston | engineering@ineng.ca

PLANNING
LAND DEVELOPMENT
ENGINEERING
BUILDING DESIGN

NO. ET February 18, 2026 ISSUED FOR PERMIT

REVIEWER AFM DESIGNER ET DRAFTER ET FILE NO. 12486

REVISIONS

1

Design for Accessible Washroom

4011 VAUGHAN SIDE ROAD, CARP, O

ARCHITECTURAL

MAIN FLOOR - PLAN & DETAILS

A-1