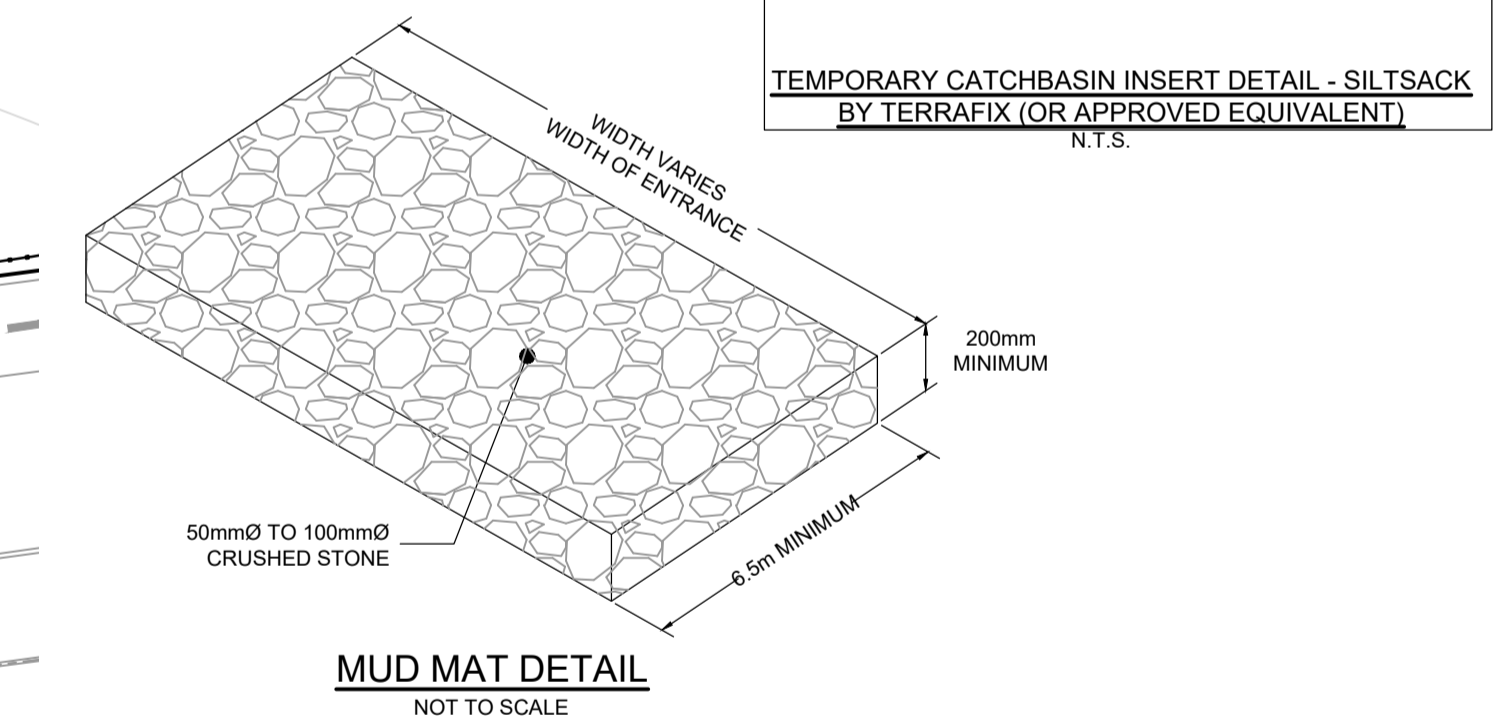
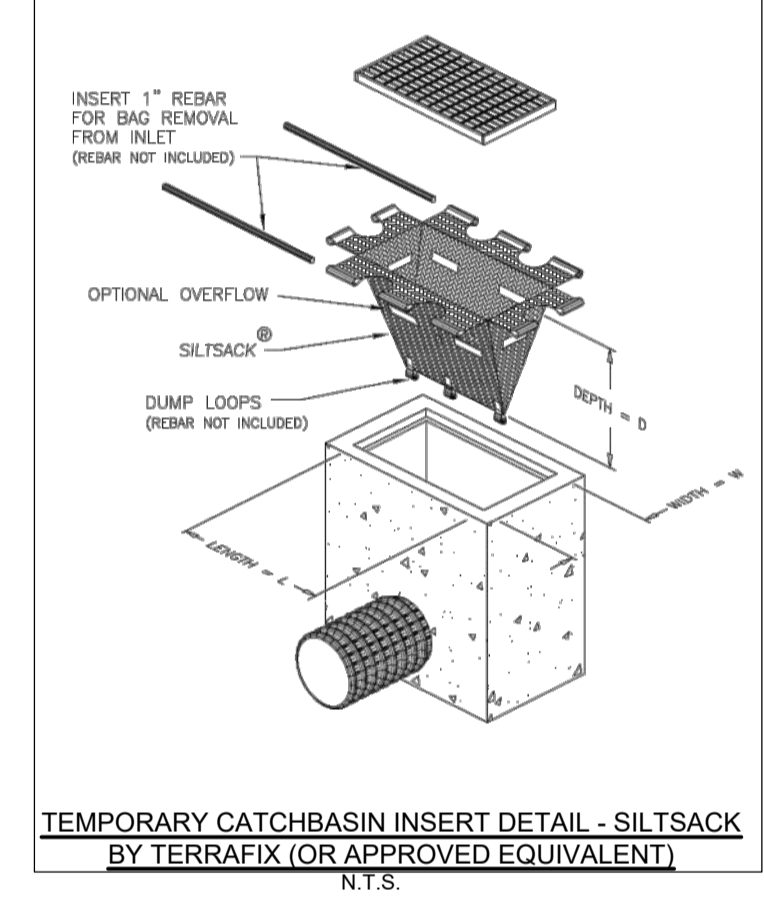


LEGEND

---	SITE PROPERTY LINE	○	PROPOSED STORM MANHOLE
---	MISC LEGAL LINE (EASEMENT, PROPERTY LINES) REFER TO LEGAL PLAN FOR DETAILS	○	PROPOSED STORM MANHOLE C/W ICD
---	PROPOSED NOISE WALL	○	PROPOSED CATCHBASIN MANHOLE
---	PROPOSED CONCRETE SIDEWALK	○	PROPOSED CATCHBASIN MANHOLE C/W ICD
---	PROPOSED RETAINING WALL C/W RAILING	○	PROPOSED CATCHBASIN
---	PROPOSED CURB	○	PROPOSED CATCHBASIN C/W ICD
---	PROPOSED DEPRESSED CURB	○	PROPOSED LANDSCAPE DRAIN
---	SWALE c/w SUBDRAIN AND DIRECTION OF FLOW	○	EXISTING STORM MANHOLE
---	PROPOSED TRANSFORMER WITH BOLLARDS	○	EXISTING CATCHBASIN
---	PROPOSED MUD MAT	○	EXISTING LIGHT STANDARD
---	LIGHT DUTY SILT FENCE (OPSD 219-110)	○	FENCE BY OTHERS
---	PROPOSED FILTER BAGS AT CATCHBASINS, CATCHBASIN MANHOLES	○	EXISTING DITCH CENTRELINE
		○	EXISTING HYDRO INFRASTRUCTURE



EROSION AND SEDIMENT CONTROL NOTES:

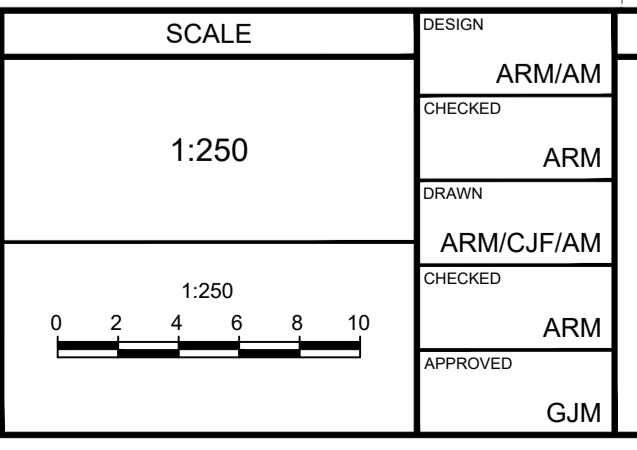
THE CONTRACTOR SHALL IMPLEMENT BEST MANAGEMENT PRACTICES, TO PROVIDE FOR PROTECTION OF THE AREA DRAINAGE SYSTEM AND THE RECEIVING WATERCOURSE, DURING CONSTRUCTION ACTIVITIES. THE CONTRACTOR ACKNOWLEDGES THAT FAILURE TO IMPLEMENT APPROPRIATE EROSION AND SEDIMENT CONTROL MEASURES MAY BE SUBJECT TO PENALTIES IMPOSED BY ANY APPLICABLE REGULATORY AGENCY.

- THE OWNER AGREES TO PREPARE AND IMPLEMENT AN EROSION AND SEDIMENT CONTROL PLAN TO THE SATISFACTION OF THE CITY OF OTTAWA, APPROPRIATE TO THE SITE CONDITIONS, PRIOR TO UNDERTAKING ANY SITE ALTERATIONS (FILLING, GRADING, REMOVAL OF VEGETATION, ETC.) AND DURING ALL PHASES OF SITE PREPARATION AND CONSTRUCTION IN ACCORDANCE WITH THE CURRENT BEST MANAGEMENT PRACTICES FOR EROSION AND SEDIMENT CONTROL, SUCH AS BUT NOT LIMITED TO INSTALLING FILTER CLOTHS ACROSS MANHOLE/CATCHBASIN LIDS TO PREVENT SEDIMENTS FROM ENTERING STRUCTURES AND INSTALL AND MAINTAIN A LIGHT DUTY SILT FENCE BARRIER AS REQUIRED.
- THE CONTRACTOR SHALL PLACE FILTER BAGS UNDER THE CATCHBASIN AND MANHOLE GRATES FOR THE DURATION OF CONSTRUCTION AND WILL REMAIN IN PLACE DURING ALL PHASES OF CONSTRUCTION.
- SILT FENCING FOR ENTIRE PERIMETER OF SITE, SHALL BE UTILIZED TO CONTROL EROSION FROM THE SITE DURING CONSTRUCTION.
- THE CONTRACTOR ACKNOWLEDGES THAT FAILURE TO IMPLEMENT EROSION AND SEDIMENT CONTROL MEASURES MAY BE SUBJECT TO PENALTIES IMPOSED BY ANY APPLICABLE REGULATORY AGENCY.
- PROVIDE MUD MATS AT ALL CONSTRUCTION ACCESS POINTS TO MINIMIZE SEDIMENT TRANSPORT OFFSITE.
- EROSION AND SEDIMENT CONTROL MEASURES MAY BE MODIFIED IN THE FIELD AT THE DISCRETION OF THE CITY OF OTTAWA SITE INSPECTOR OR CONSERVATION AUTHORITY.

REFER TO 122144-ND FOR ADDITIONAL NOTES & DETAILS

NOTE:
THE POSITION OF ALL POLE LINES, CONDUITS, WATERMANS, SEWERS AND OTHER UNDERGROUND AND OVERGROUND UTILITIES AND STRUCTURES IS NOT NECESSARILY SHOWN ON THE CONTRACT DRAWINGS, AND WHERE SHOWN, THE ACCURACY OF THE POSITION OF SUCH UTILITIES AND STRUCTURES IS NOT GUARANTEED. BEFORE STARTING WORK, DETERMINE THE EXACT LOCATION OF ALL SUCH UTILITIES AND STRUCTURES AND ASSUME ALL LIABILITY FOR DAMAGE TO THEM.

No.	REVISION	DATE	BY	No.	REVISION	DATE	BY
8.	ISSUED FOR CONSTRUCTION	JAN 23/2026	ARM	1.	ISSUED FOR SITE PLAN APPLICATION	MARCH 21/25	GJM
7.	REVISED PER LANSCAPE PLAN	DEC 03/25	ARM	2.	REVISED PER COMPLETENESS REVIEW COMMENTS	MAY 09/25	GJM
6.	REVISED PER CITY COMMENTS	NOV 18/25	ARM	3.	REVISED PER CITY COMMENTS	AUG 12/25	GJM
5.	REVISED PER RETAINING WALL ALTERATIONS	OCT 07/25	GJM	4.	ADDITION OF GEOTECHNICAL RECOMMENDATIONS	AUG 19/25	GJM
4.	ADDITION OF GEOTECHNICAL RECOMMENDATIONS	AUG 19/25	GJM	5.	REVISED PER RETAINING WALL ALTERATIONS	OCT 07/25	GJM
3.	REVISED PER CITY COMMENTS	AUG 12/25	GJM	6.	REVISED PER CITY COMMENTS	NOV 18/25	ARM
2.	REVISED PER COMPLETENESS REVIEW COMMENTS	MAY 09/25	GJM	7.	REVISED PER LANSCAPE PLAN	DEC 03/25	ARM
1.	ISSUED FOR SITE PLAN APPLICATION	MARCH 21/25	GJM	8.	ISSUED FOR CONSTRUCTION	JAN 23/2026	ARM



DESIGN: ARM/AM
CHECKED: ARM
DRAWN: ARM/CJF/AM
CHECKED: ARM
APPROVED: GJM

NOVATECH
Engineers, Planners & Landscape Architects
Suite 200, 240 Michael Cowpland Drive
Ottawa, Ontario, Canada K2M 1P6
Telephone: (613) 254-9643
Facsimile: (613) 254-5867
Website: www.novatech-eng.com

LOCATION
1101 SPOOR STREET, CITY OF OTTAWA
COPPERWOOD FLATS - BLOCK 125

DRAWING NAME
EROSION AND SEDIMENT CONTROL PLAN

PROJECT No: 122144
REV: REV#11
DRAWING No: 122144-ESC

M:\2021\122144\BLOCK_307\CAD\CIVIL\22144-BLK125-ESC.dwg, ESC, Feb 27, 2026, - 4:35pm, cfargison