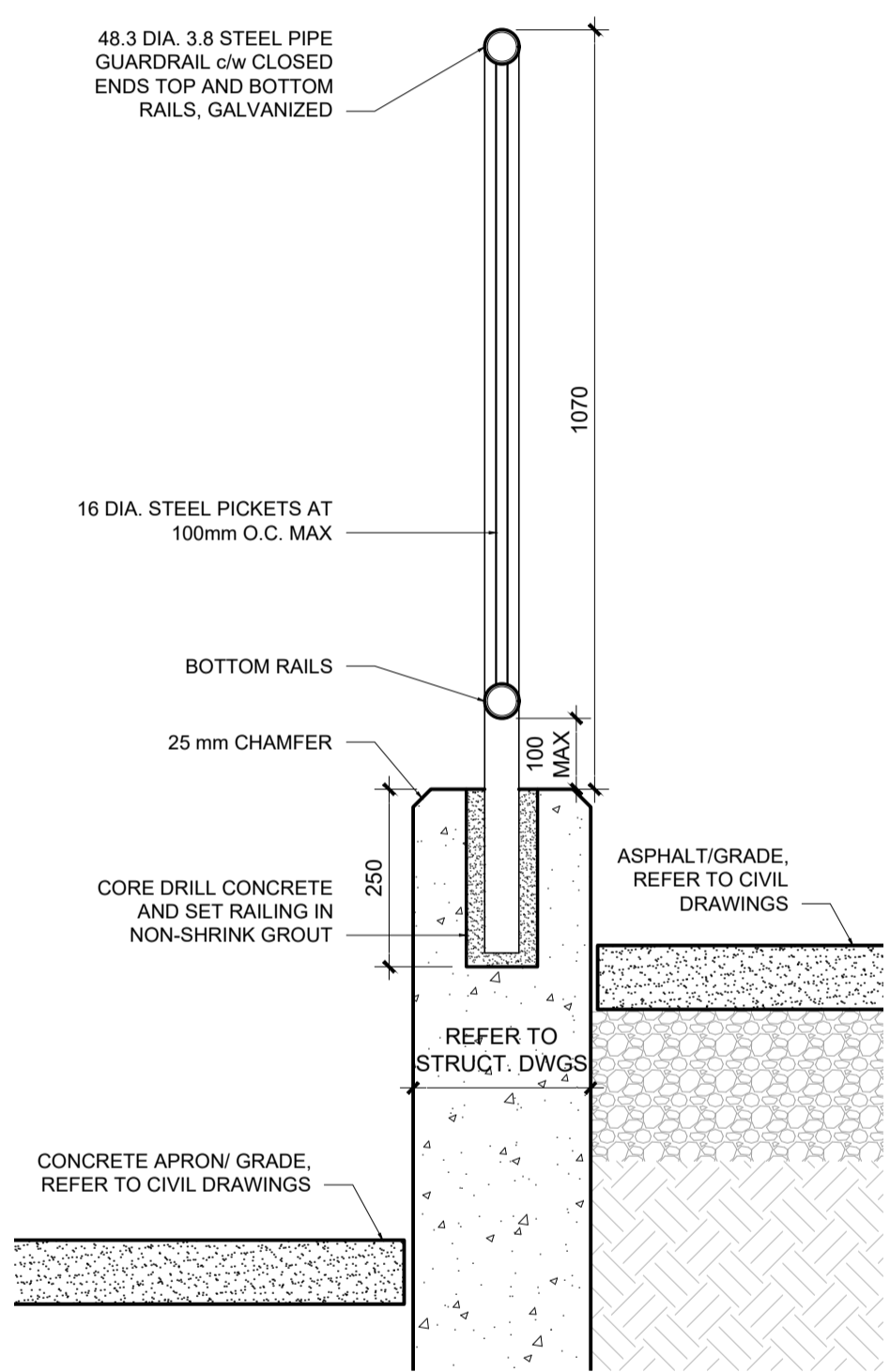
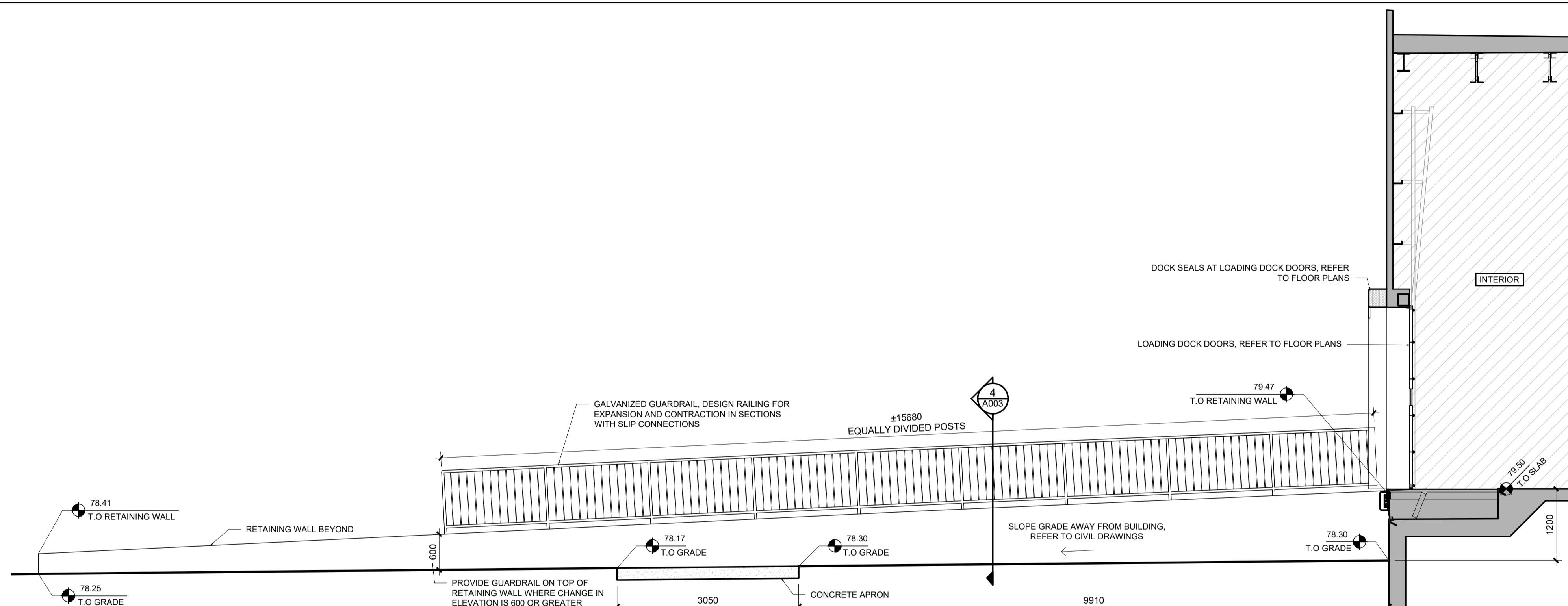


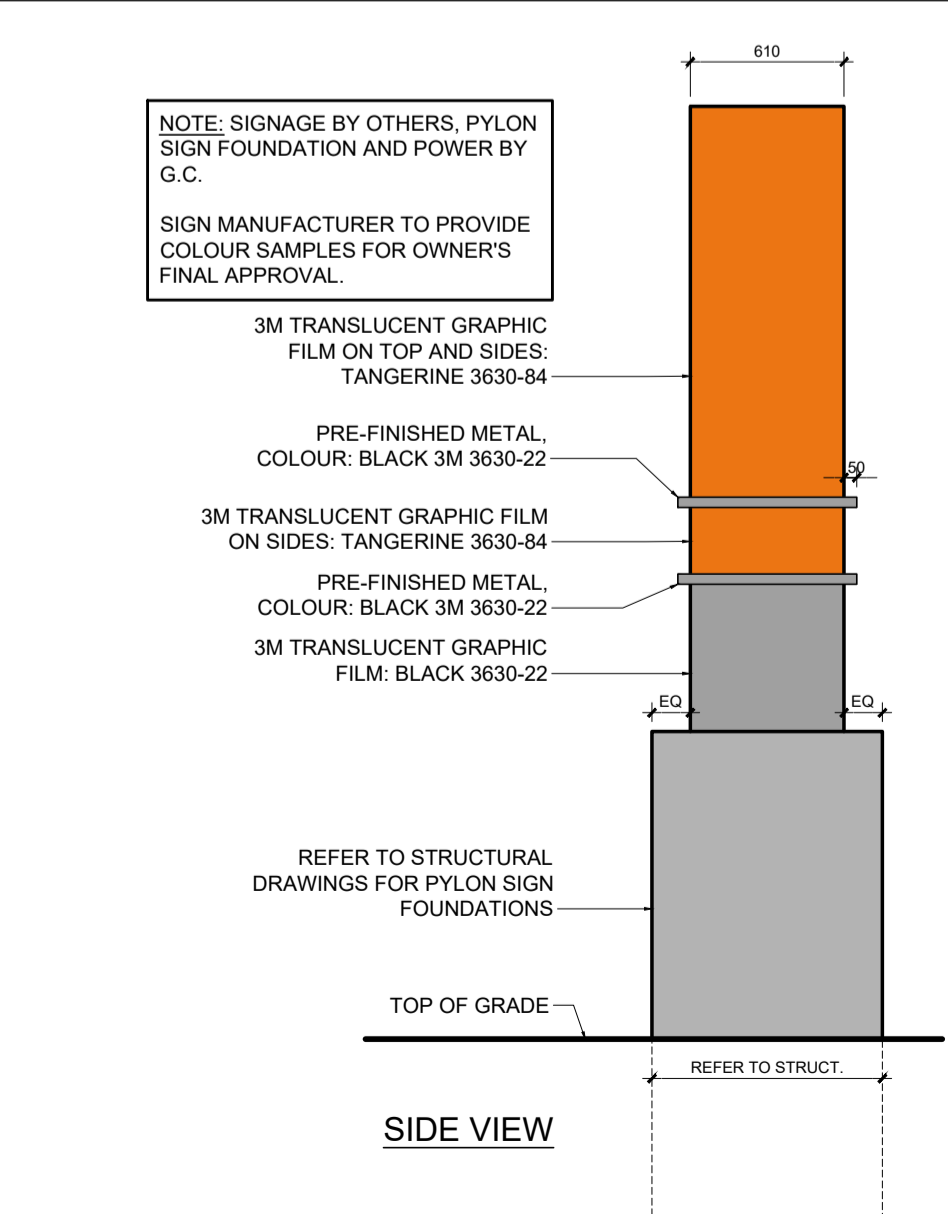
5 RETAINING WALL DETAIL
SCALE 1:50



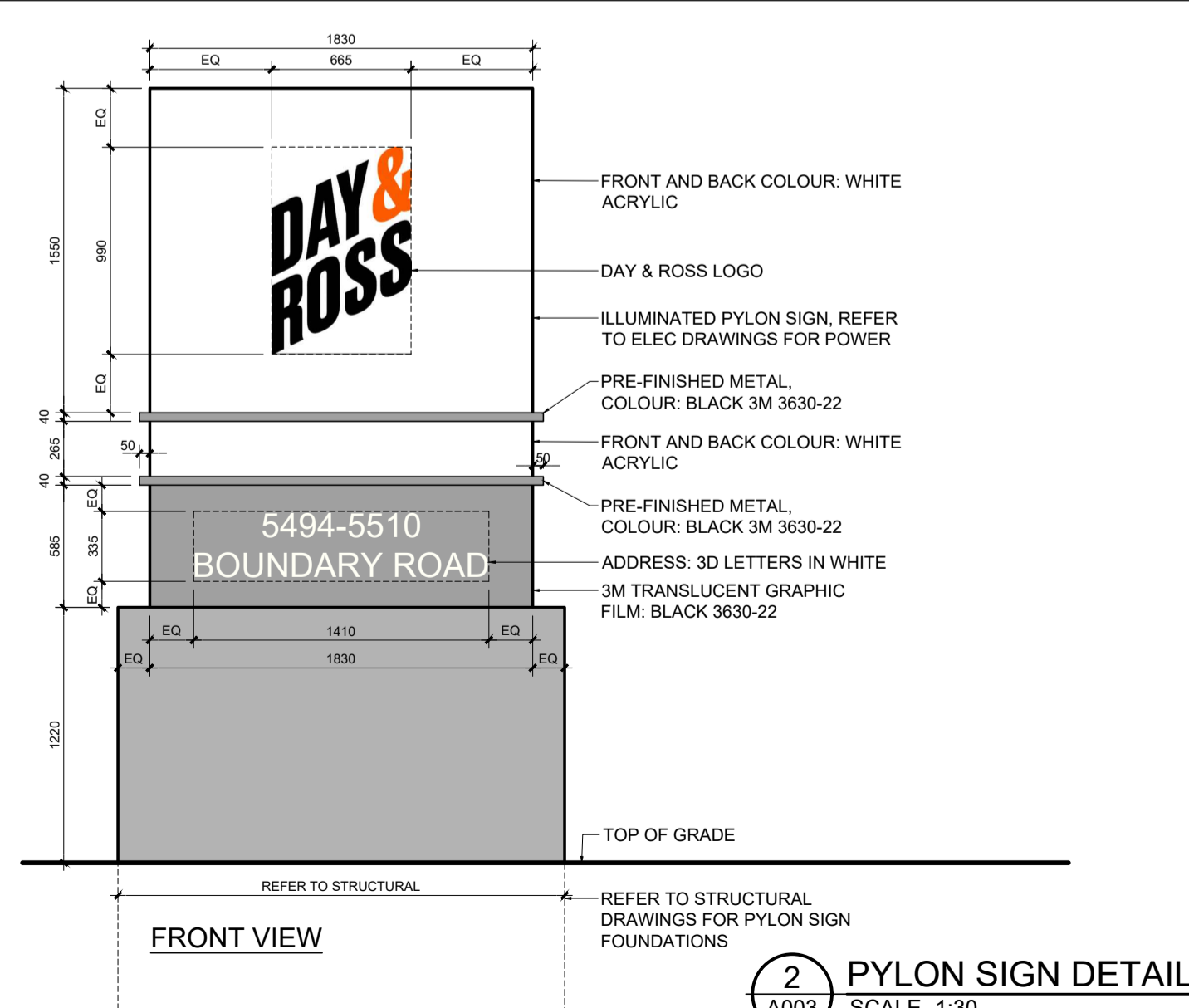
4 GUARDRAIL DETAIL
SCALE 1:10



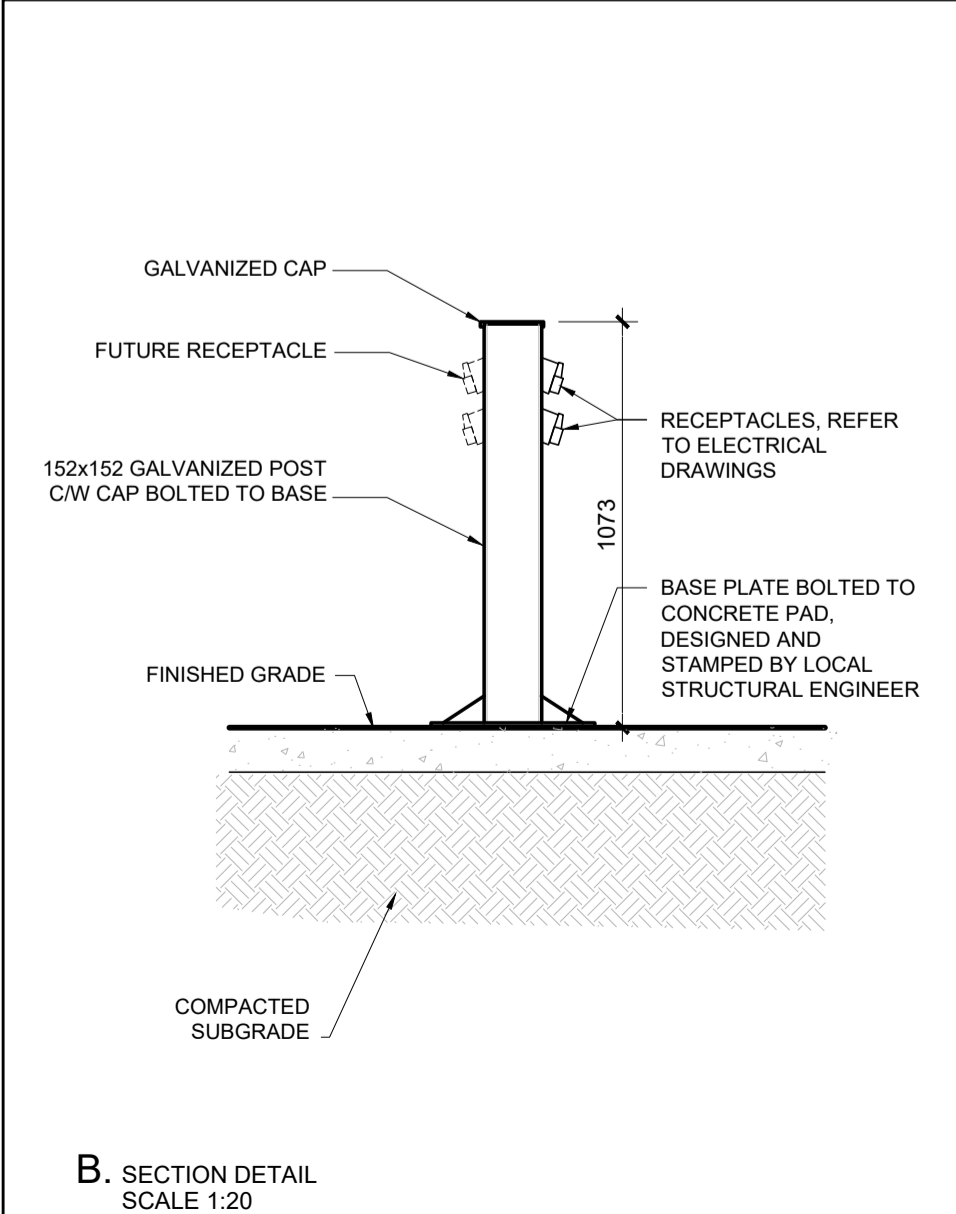
3 RETAINING WALL DETAIL
SCALE 1:50



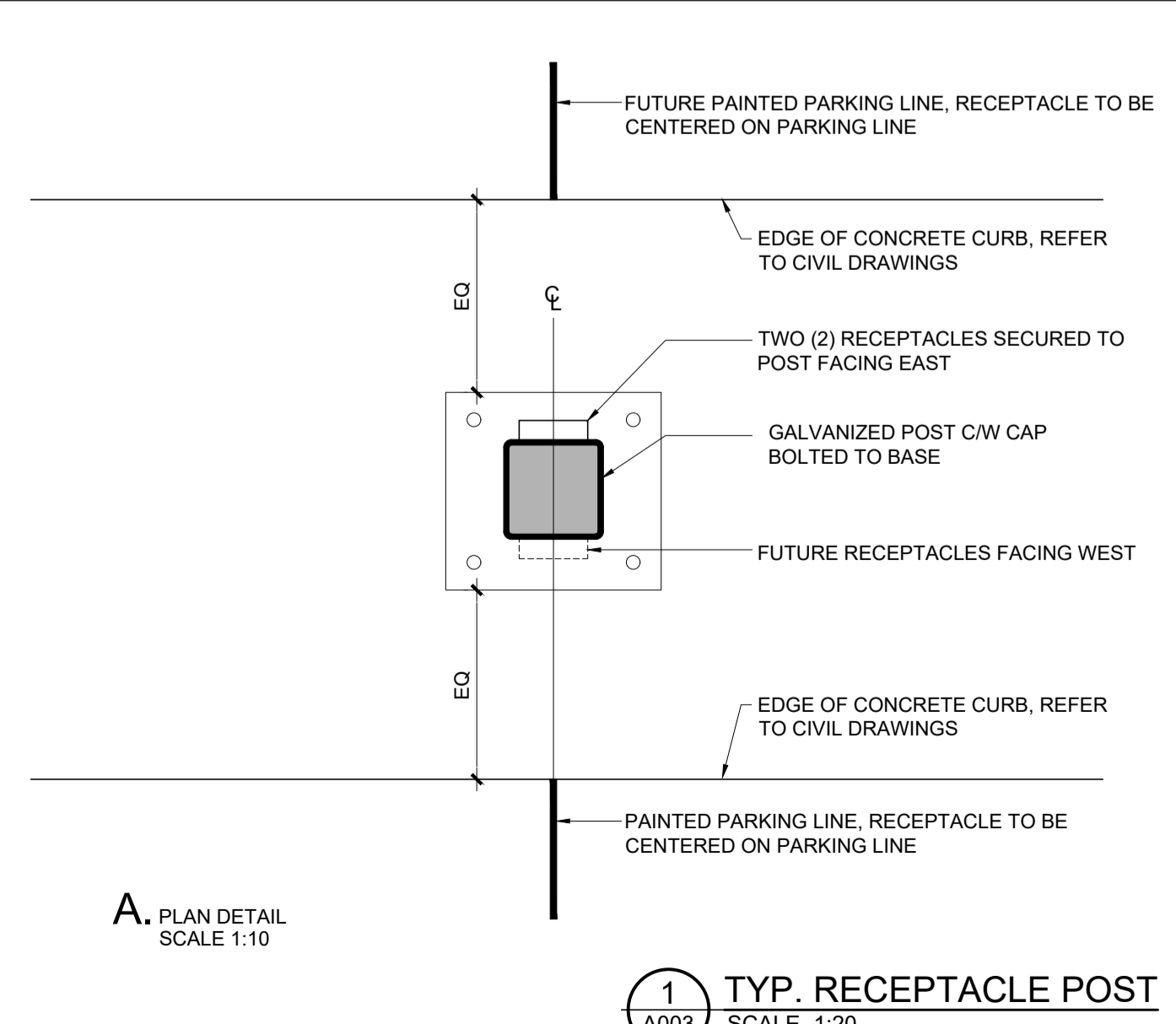
SIDE VIEW



2 PYLON SIGN DETAIL
SCALE 1:30



B. SECTION DETAIL
SCALE 1:20



A. PLAN DETAIL
SCALE 1:10

1 TYP. RECEPTACLE POST
SCALE 1:20

no.	revision	date
05	SPA COMMENTS RESPONSE	2 MAR 2026
04	ISSUE FOR BUILDING PERMIT	24 OCT 2024
03	ISSUE FOR 90% SUBMISSION	03 OCT 2024
02	ISSUE FOR SITE PLAN CONTROL APPLICATION	24 SEPT 2024
01	ISSUE FOR 60% SUBMISSION	15 AUG 2024

N45 ARCHITECTURE INC.
71 Bank Street, 7th Floor - Ottawa, Ontario, K1P 5N2
tel. 613.224.0095 fax 613.224.9811

DAY & ROSS
5494-5510 BOUNDARY ROAD
GLOUCESTER, ON



drawing title	
SITE DETAILS	
scale AS SHOWN	drawn by DL
date JUNE 2024	checked by RM
project number 22-765	drawing number A003
CONTRACTOR TO VERIFY ALL DIMENSIONS AND NOTIFY THE ARCHITECT OF ANY DISCREPANCIES BEFORE WORK COMMENCES.	
DO NOT SCALE DRAWINGS	revision 05