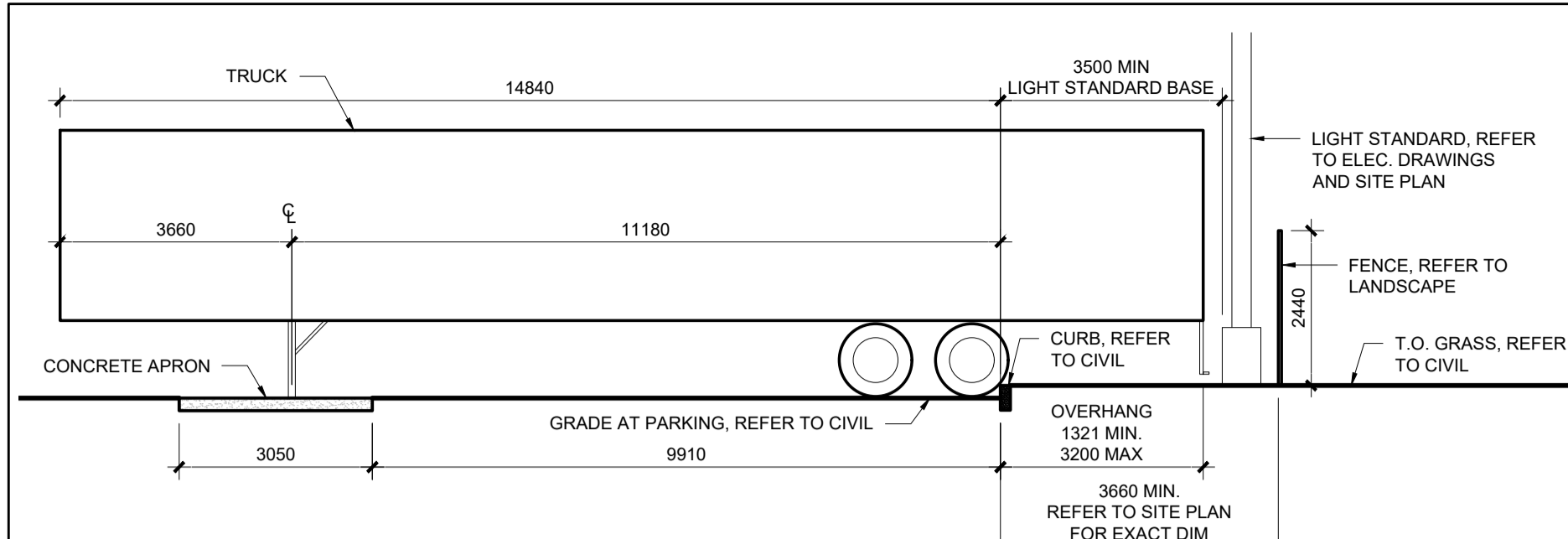
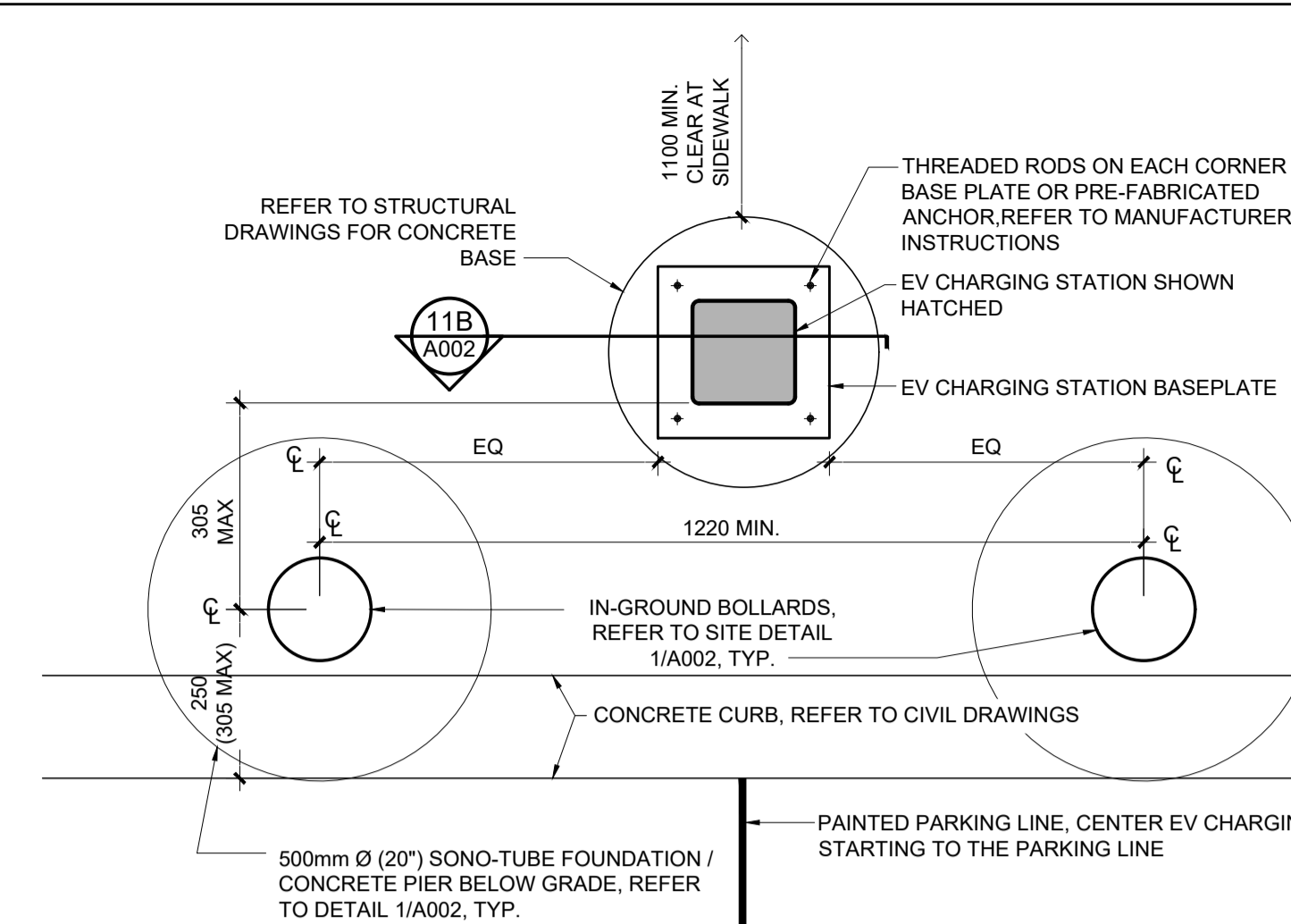


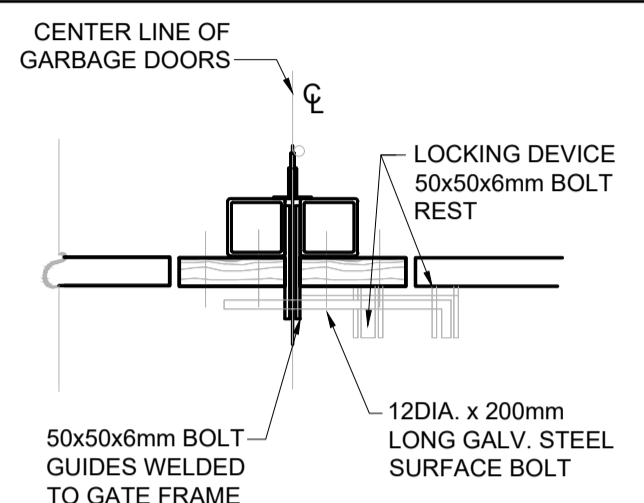
10
A002 GARBAGE ENCLOSURE ELEVATION
SCALE 1:50



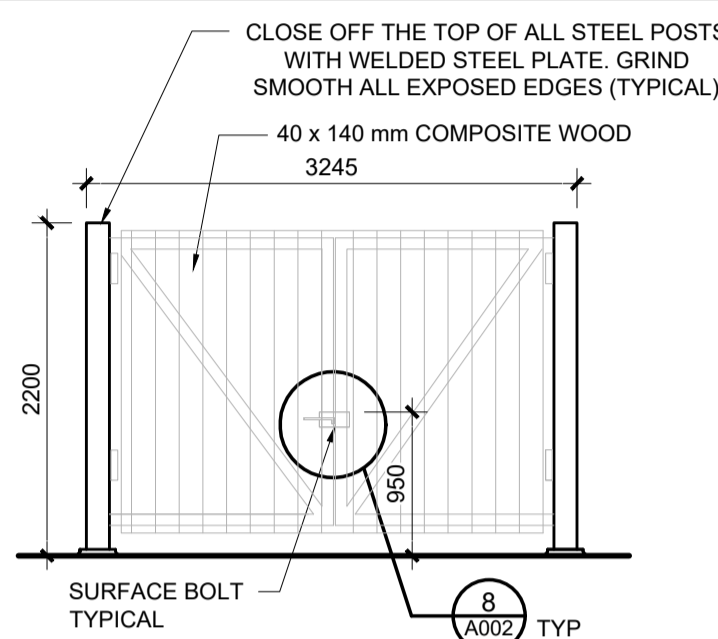
3
A002 TYP. TRUCK TRAILER PARKING
SCALE 1:100



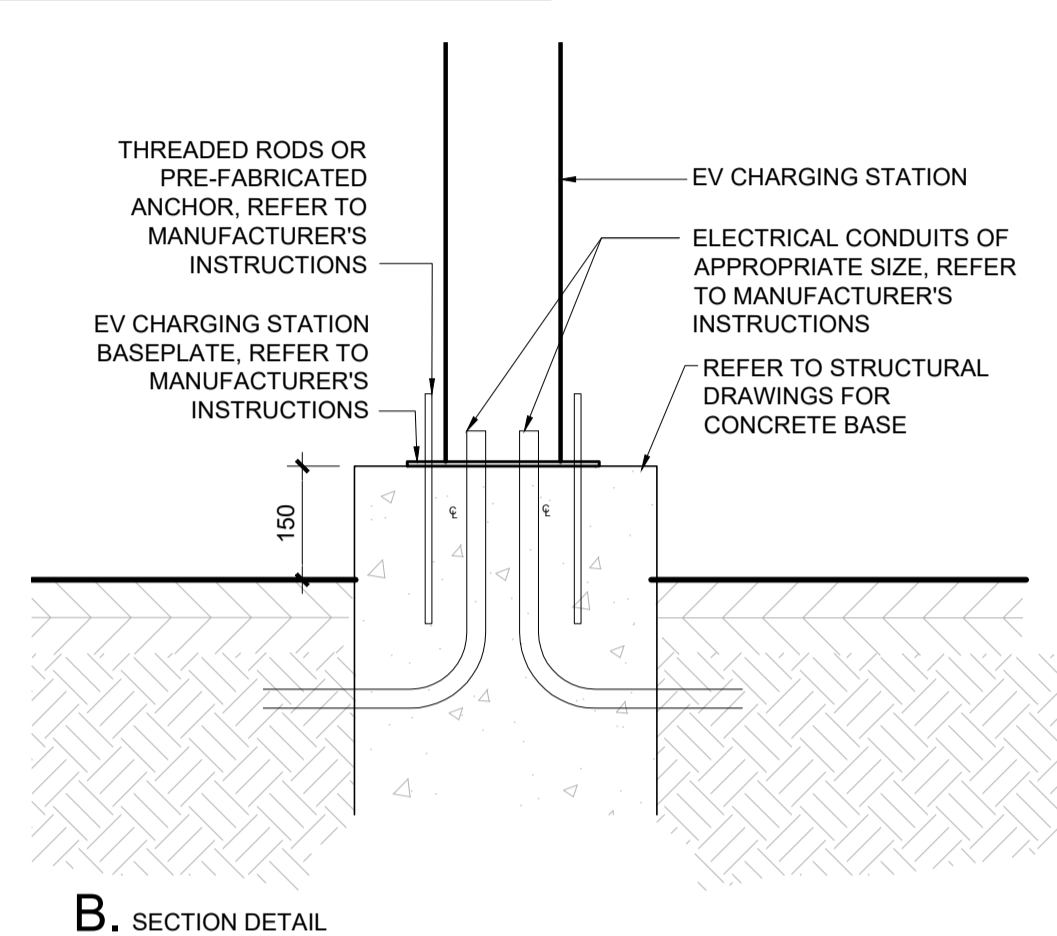
11
A002 TYP. EV CHARGER STATION
SCALE 1:10



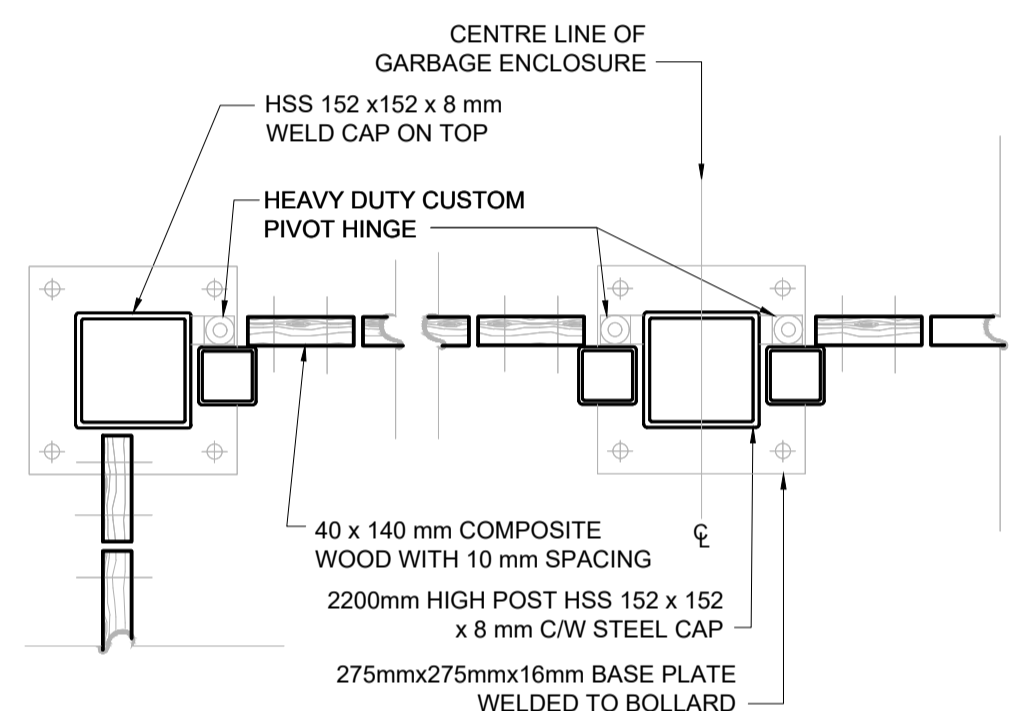
8
A002 GARBAGE ENCLOSURE BOLT DETAIL
SCALE 1:10



9
A002 GARBAGE ENCLOSURE ELEVATION
SCALE 1:50



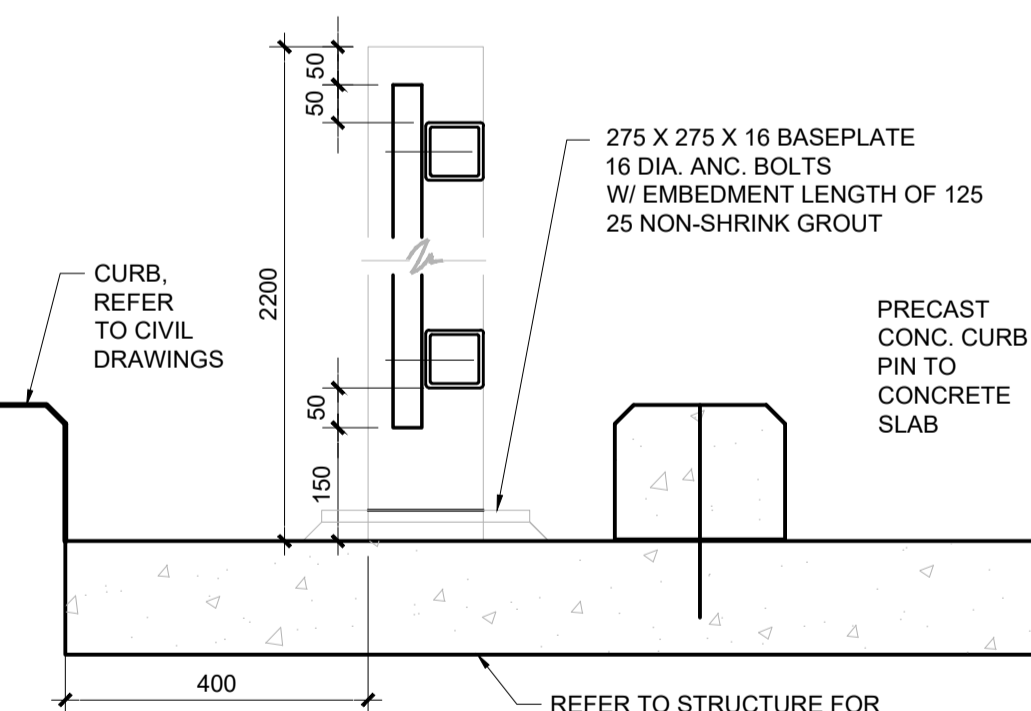
B. SECTION DETAIL



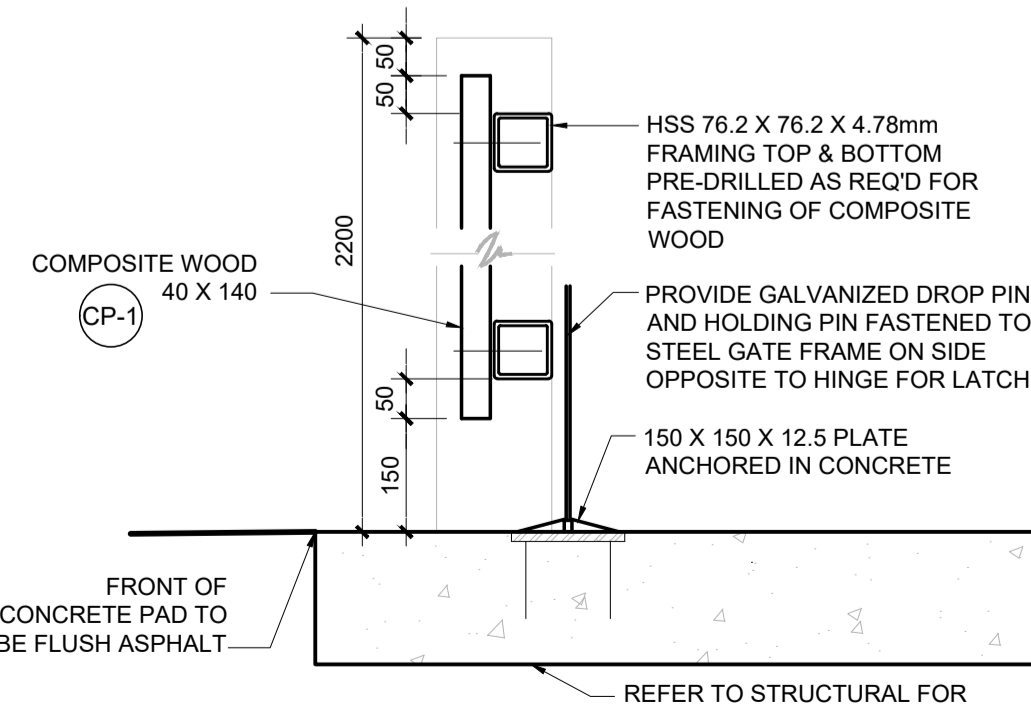
7
A002 GARBAGE ENCLOSURE PLAN DETAIL
SCALE 1:10

GATE CONSTRUCTION:
H.S.S. 75 x 75 x 5 mm ON FOUR (4) SIDES AND FOR THE DIAGONAL MEMBERS.
PRE-DRILL AS REQUIRED FOR COMPOSITE WOOD PLANKS.
ENSURE ALL STEEL CONNECTIONS ARE FLUSH TO THE WIDTH OF POST AND BEAMS TO AVOID NOTCHING THE COMPOSITE WOOD PLANKS.

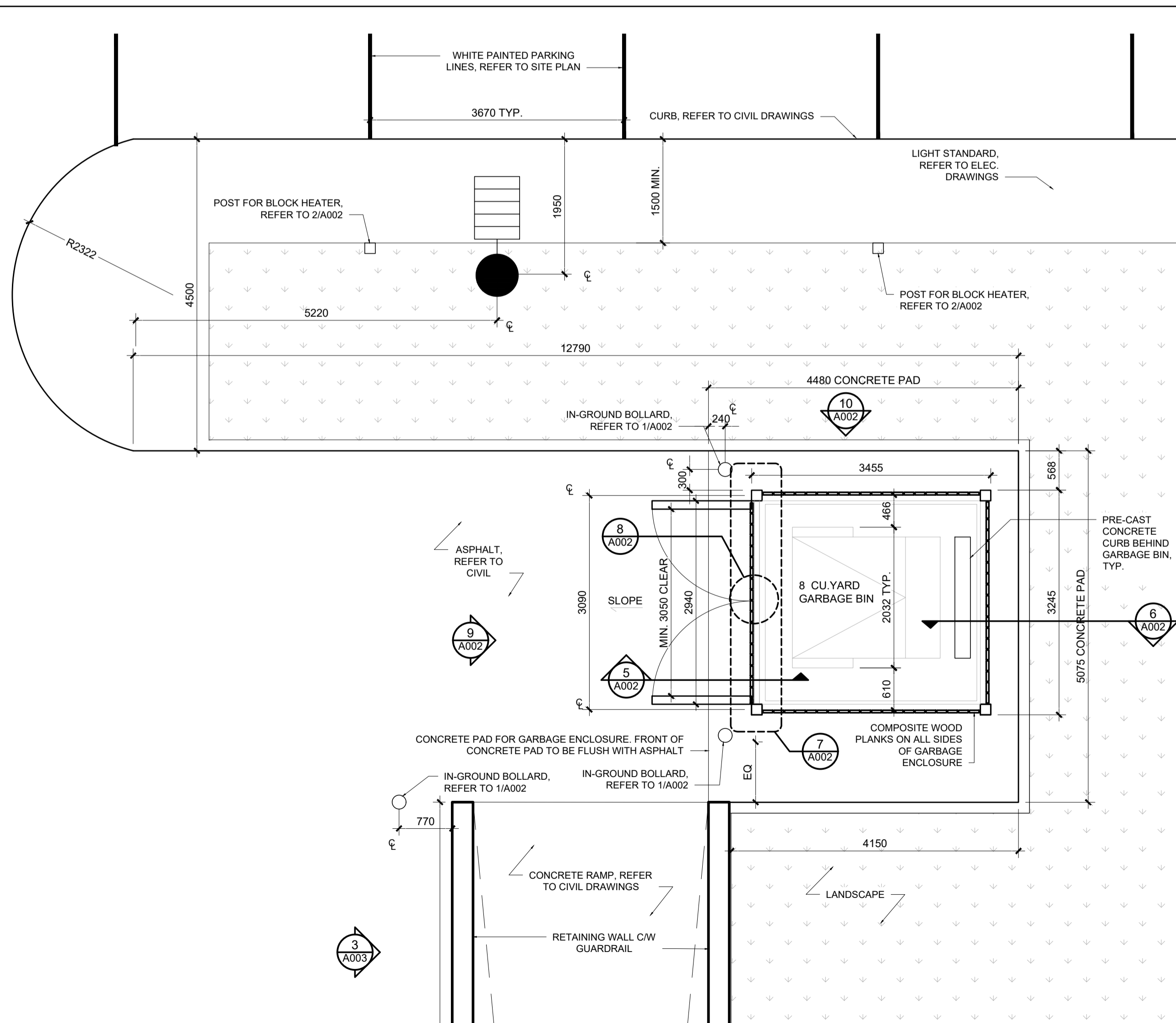
9
A002 GARBAGE ENCLOSURE ELEVATION
SCALE 1:50



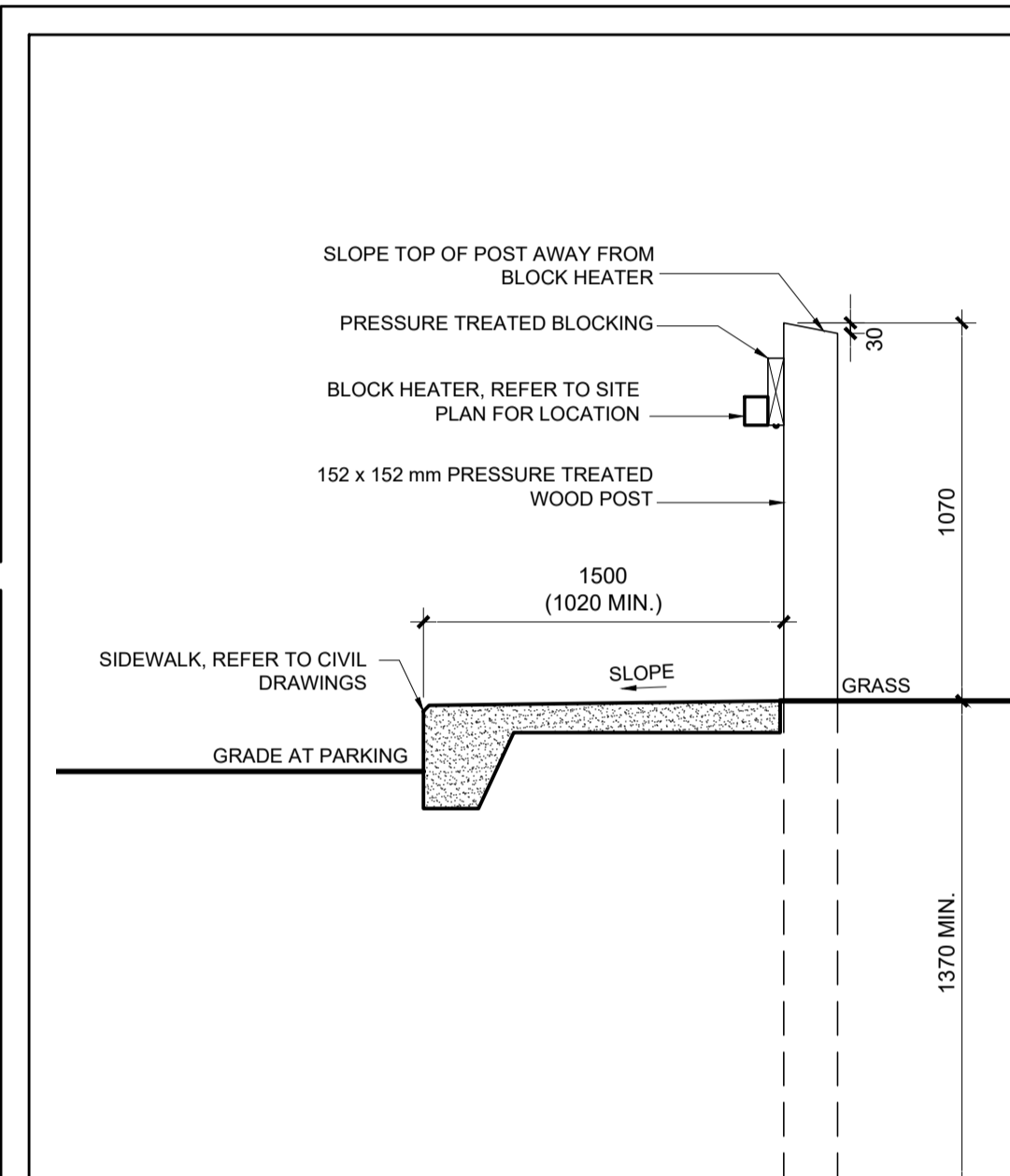
6
A002 GARBAGE ENCLOSURE DETAIL
SCALE 1:10



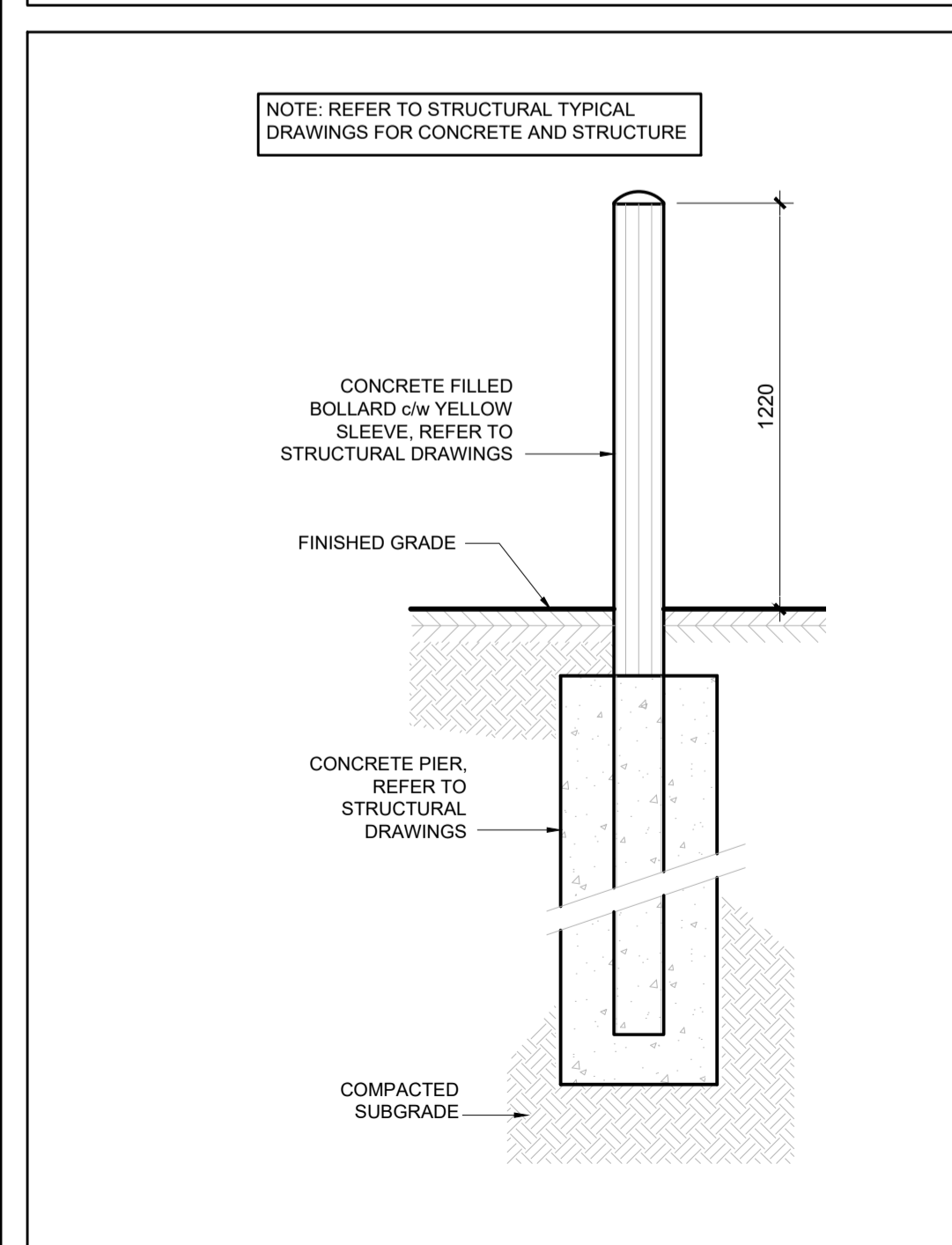
5
A002 GARBAGE ENCLOSURE DETAIL
SCALE 1:10



4
A002 GARBAGE ENCLOSURE
SCALE 1:50



2
A002 TYP. BLOCK HEATER DETAIL
SCALE 1:20

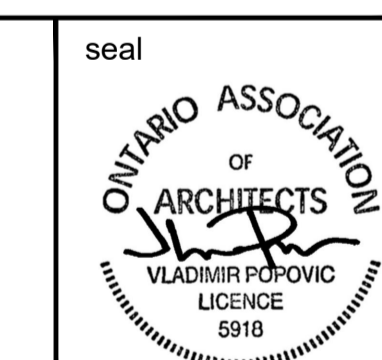


1
A002 TYP. IN-GROUND BOLLARD
SCALE 1:20

no.	revision	date
06	SPA COMMENTS RESPONSE	2 MAR 2026
05	ISSUE FOR BUILDING PERMIT	24 OCT 2024
04	ISSUE FOR 90% SUBMISSION	03 OCT 2024
03	ISSUE FOR SITE PLAN CONTROL APPLICATION	24 SEPT 2024
02	ISSUE FOR 60% SUBMISSION	15 AUG 2024
01	ISSUE FOR 30% SUBMISSION	27 JUNE 2024

N45 ARCHITECTURE INC.
71 Bank Street, 7th Floor - Ottawa, Ontario, K1P 5N2
tel. 613.224.0095 fax 613.224.9811

DAY & ROSS
5494-5510 BOUNDARY ROAD
GLOUCESTER, ON



drawing title	
SITE DETAILS	
scale AS SHOWN	drawn by DL
date JUNE 2024	checked by RM
project number 22-765	drawing number A002
CONTRACTOR TO VERIFY ALL DIMENSIONS AND NOTIFY THE ARCHITECT OF ANY DISCREPANCIES BEFORE WORK COMMENCES.	
DO NOT SCALE DRAWINGS	revision 06