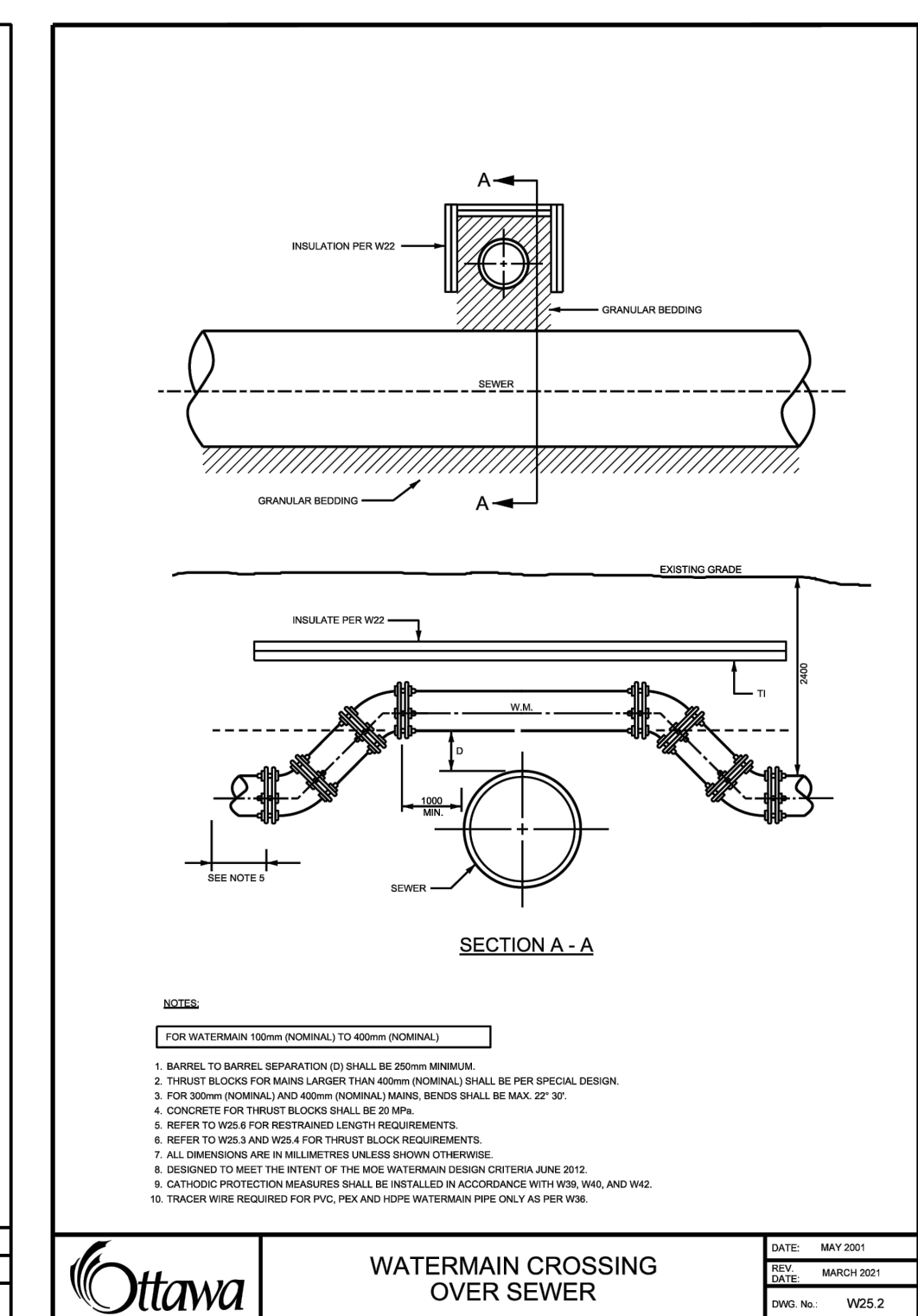
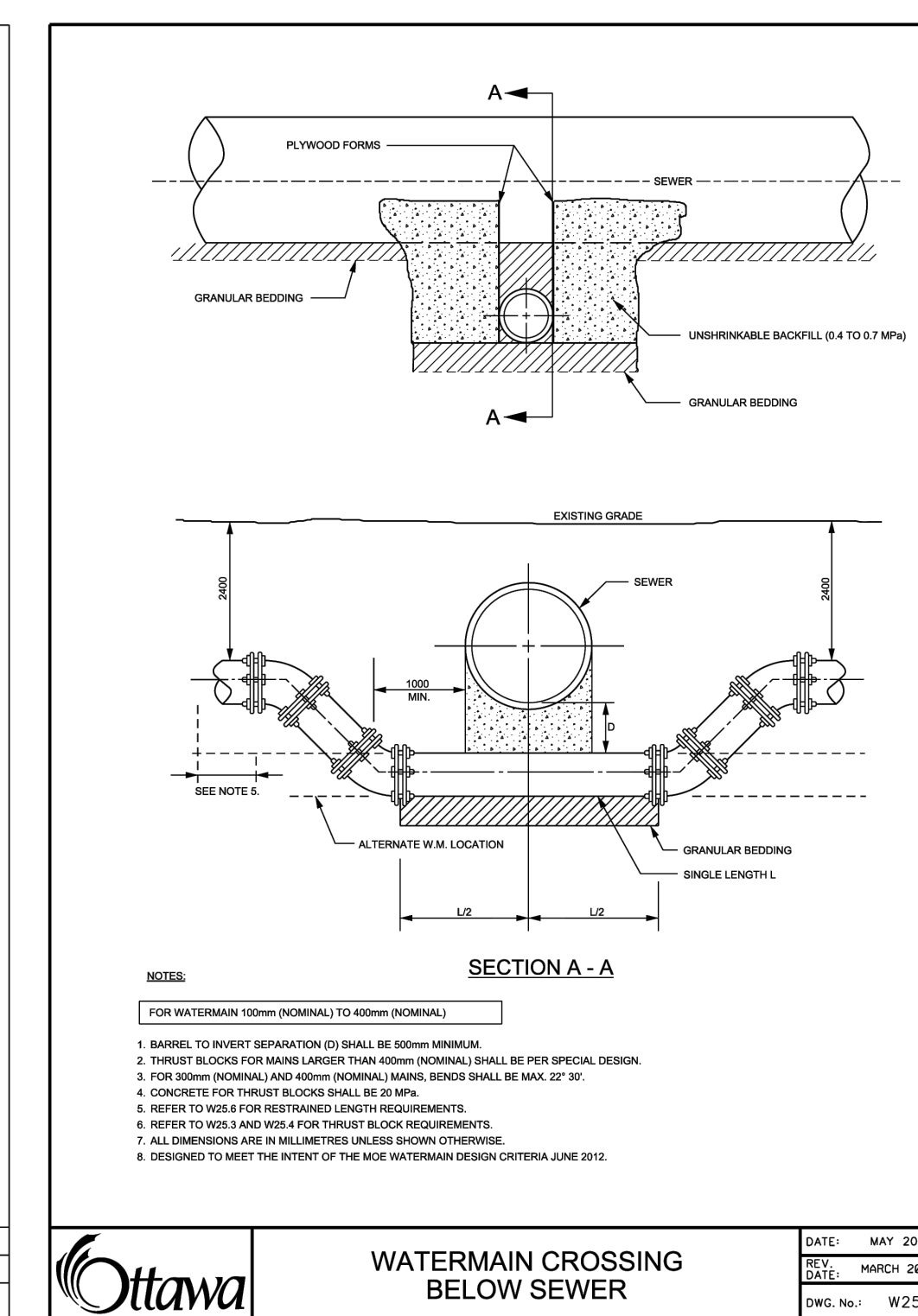
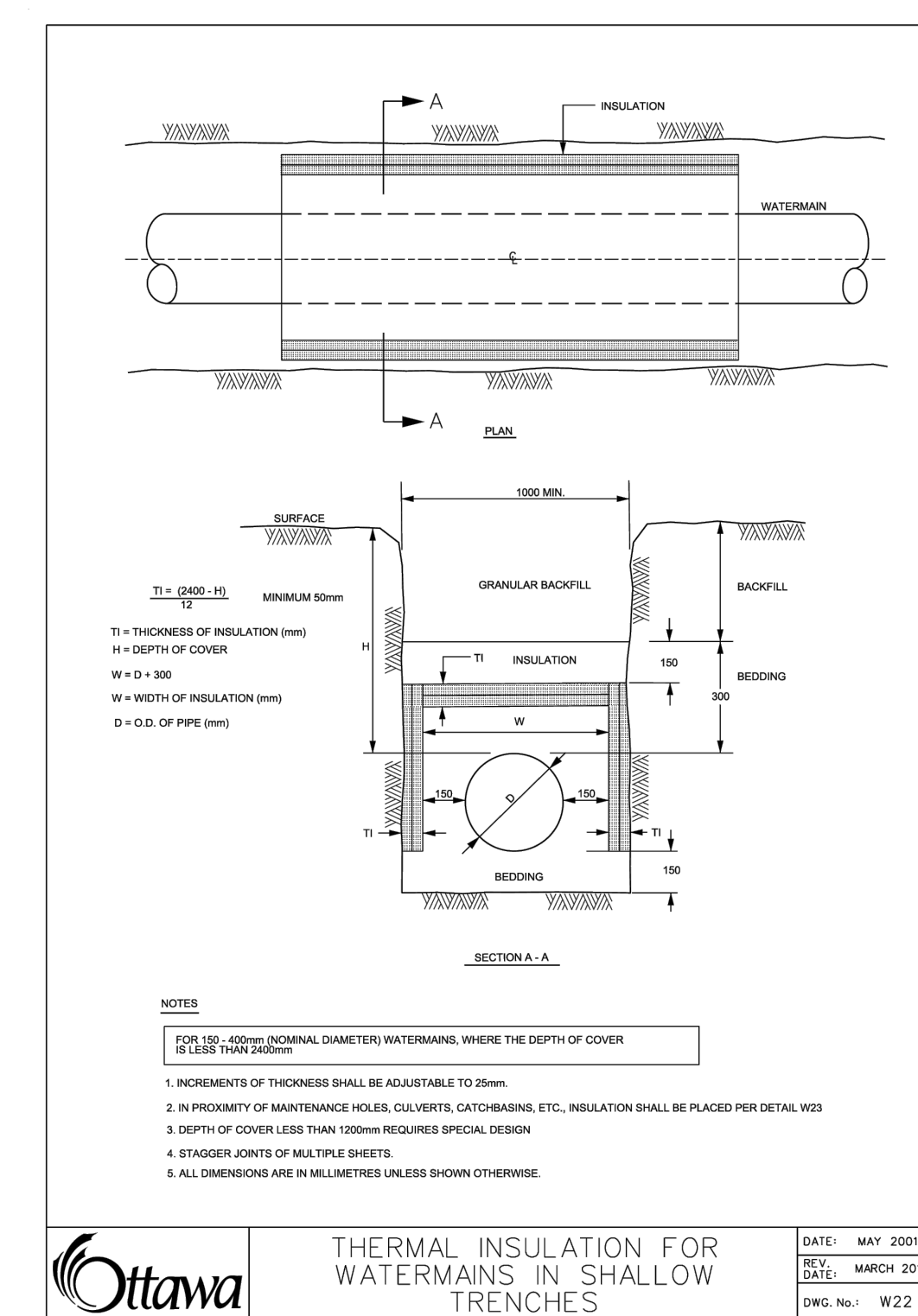
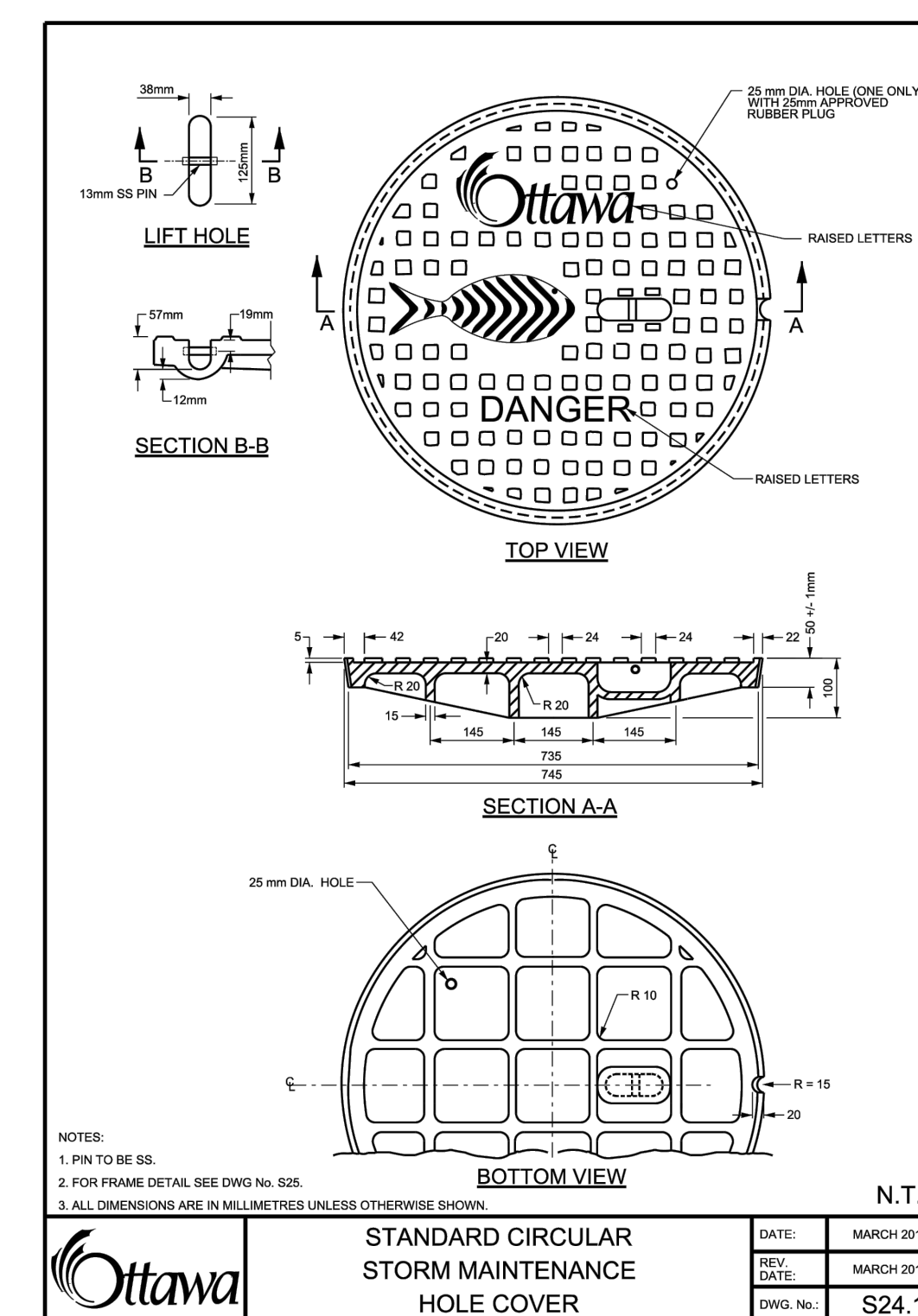
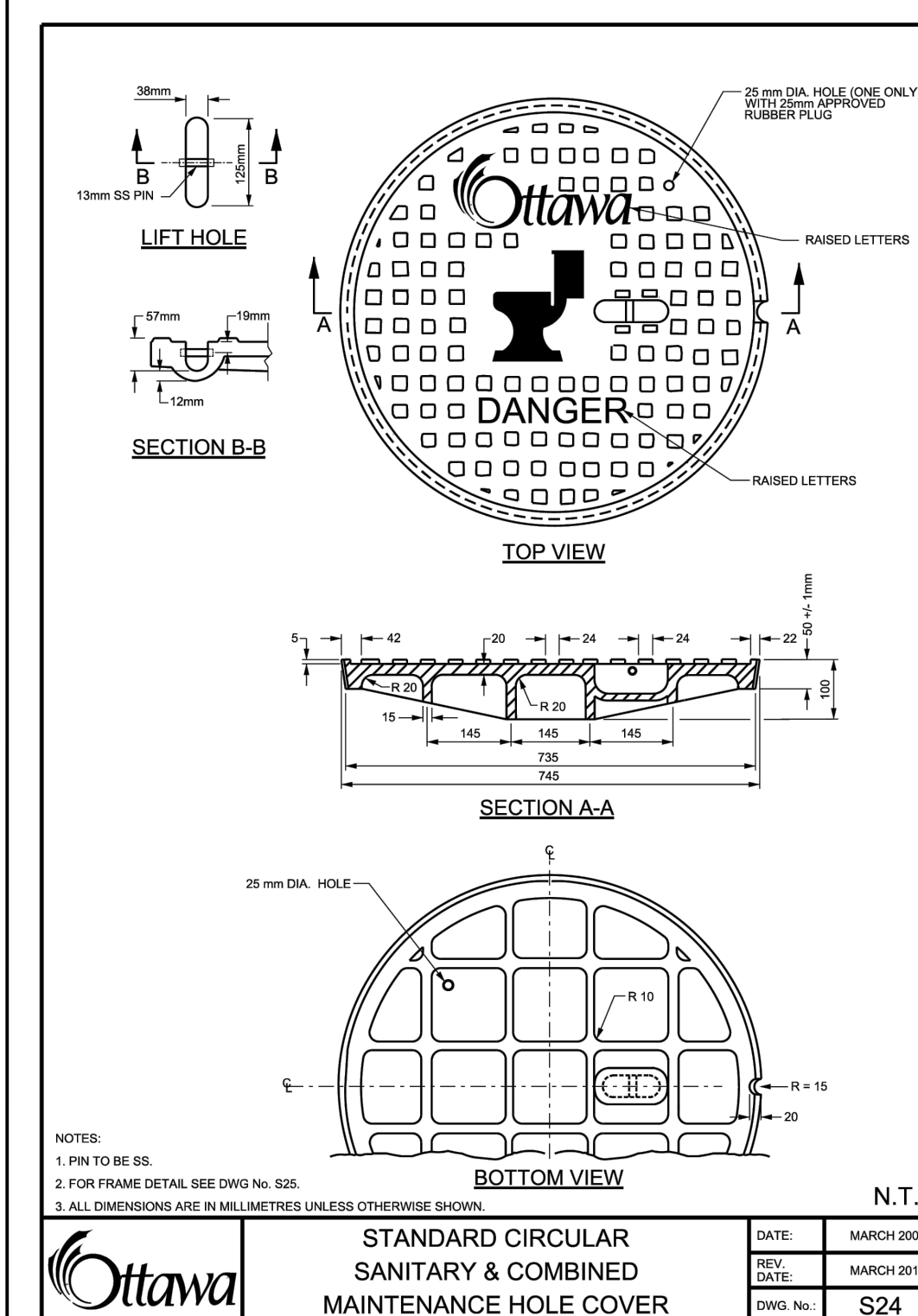
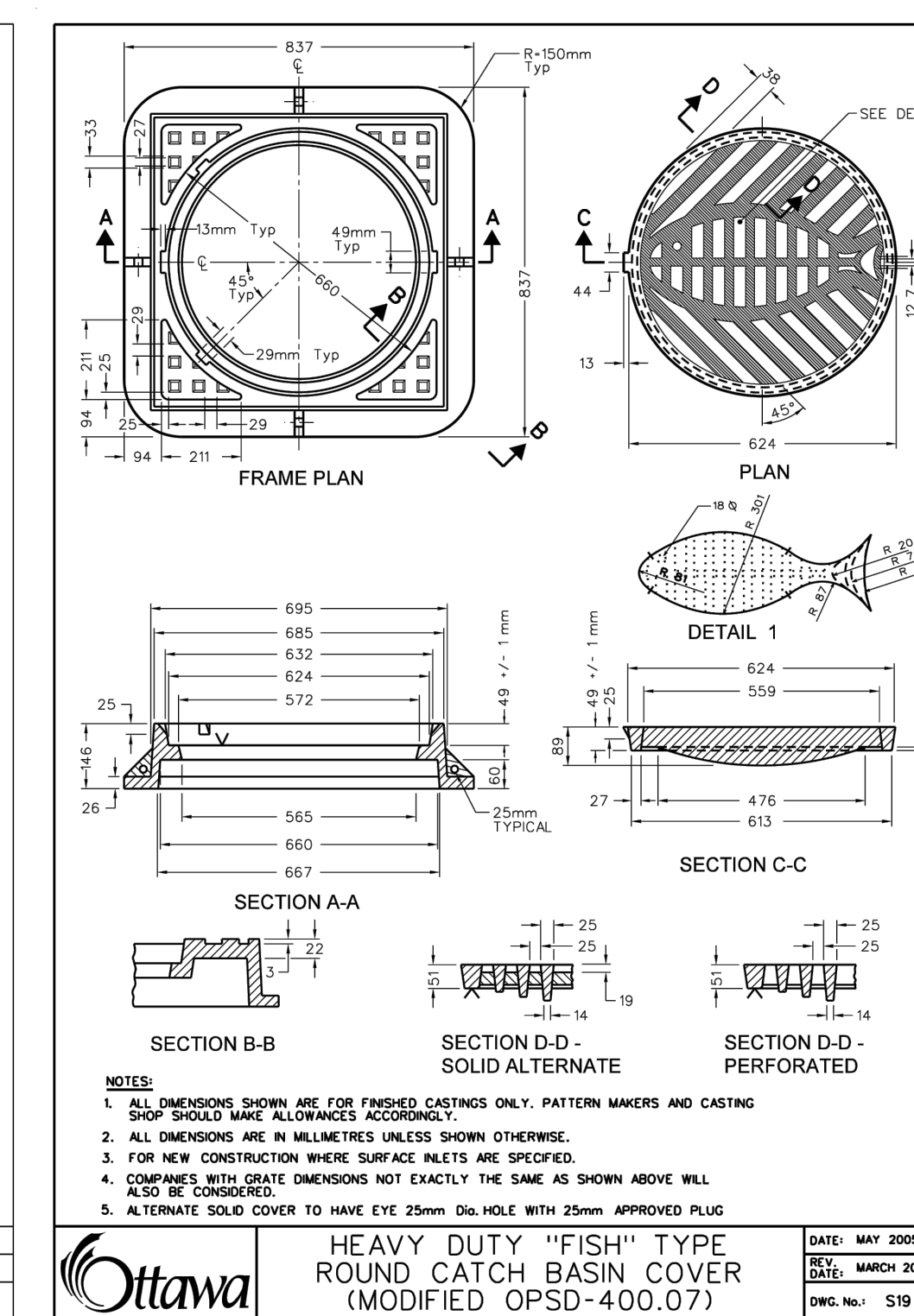
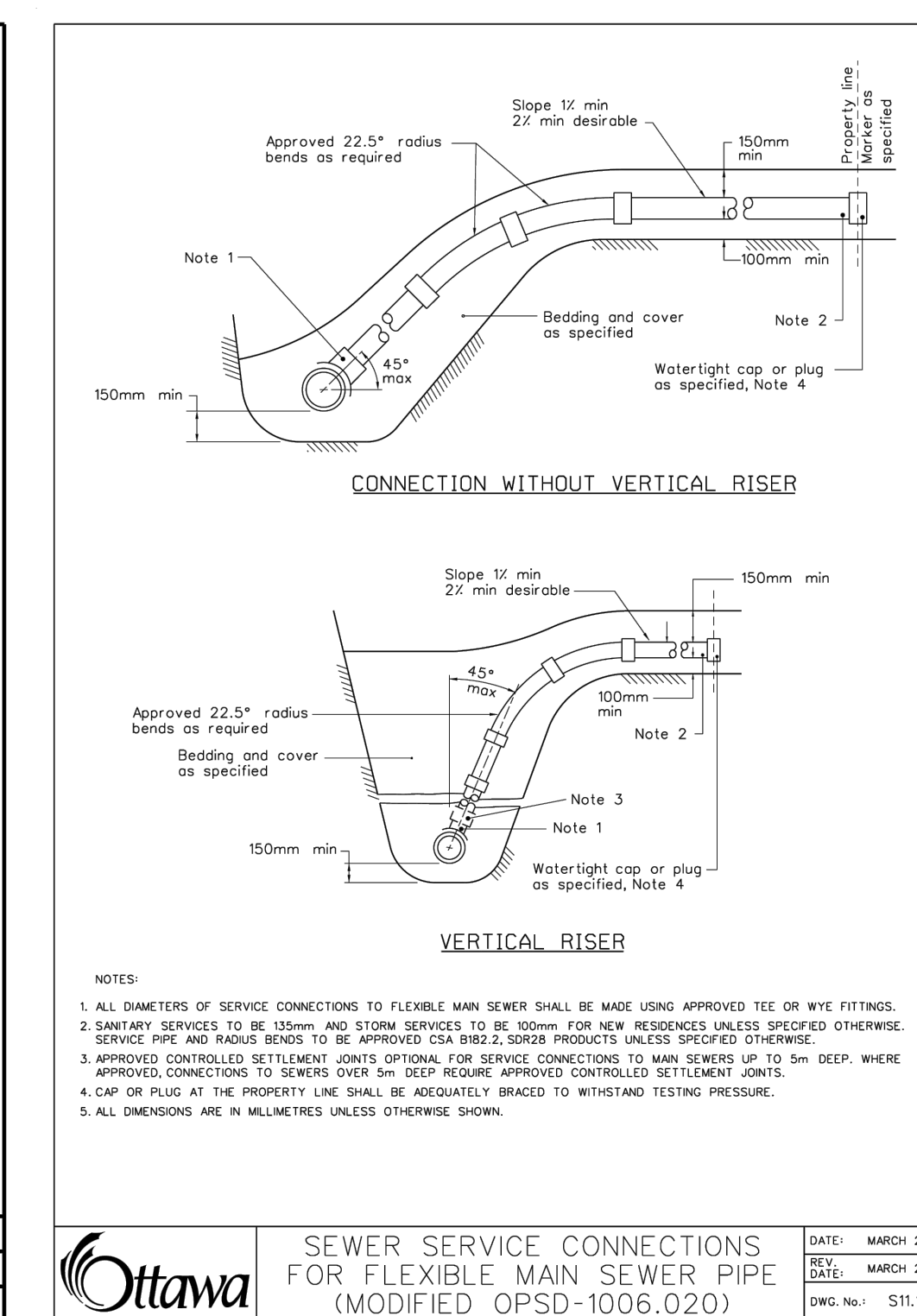
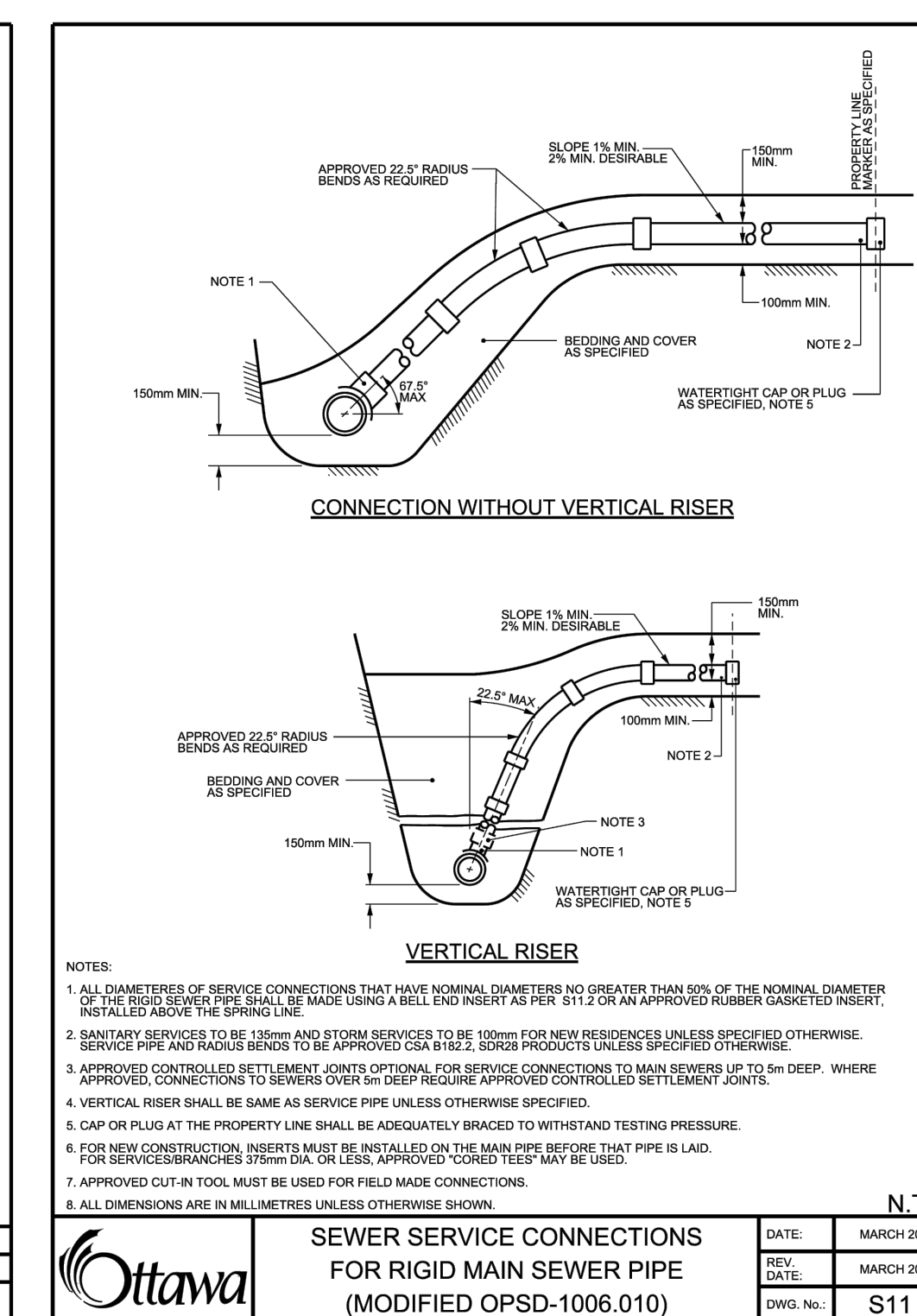
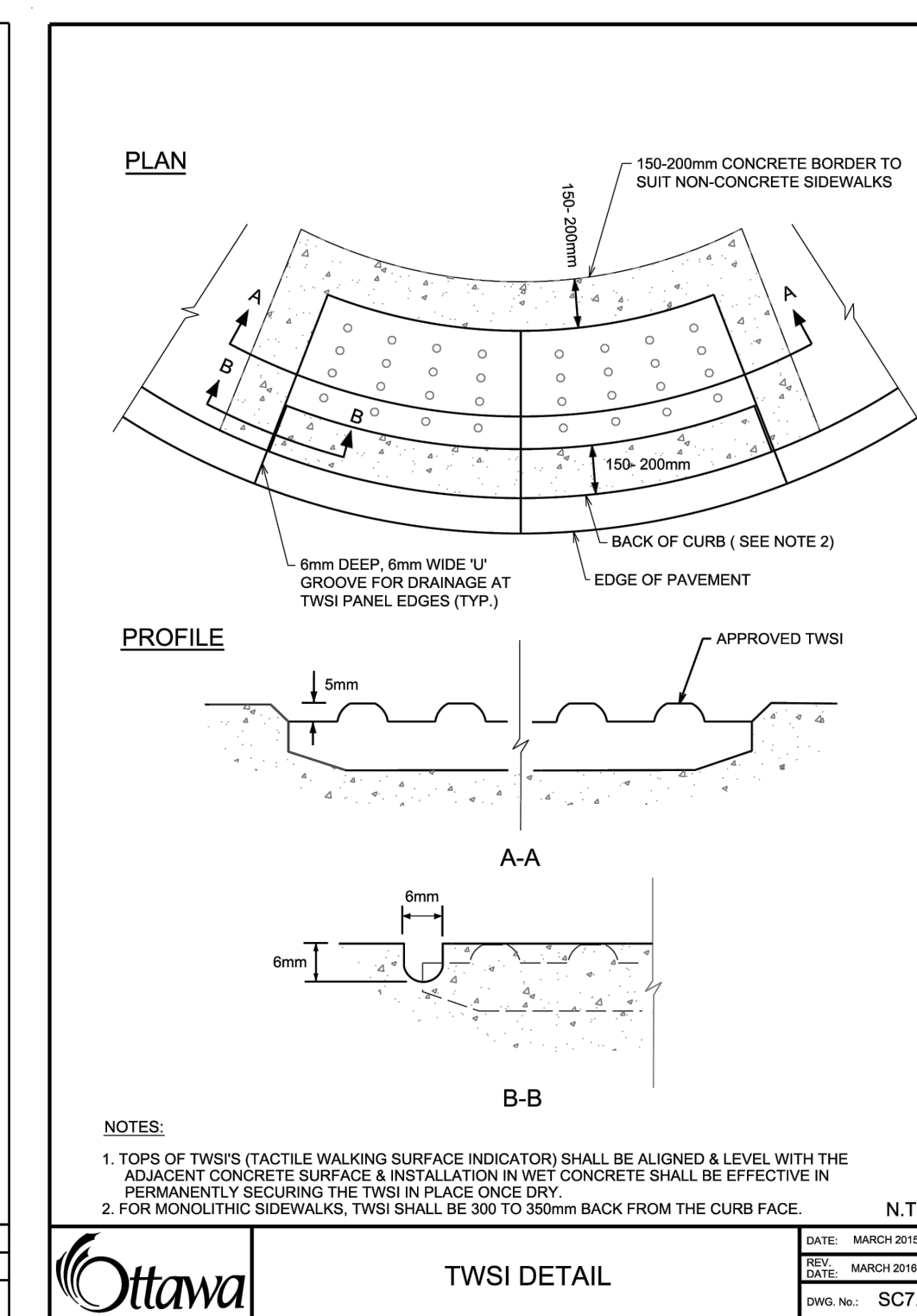
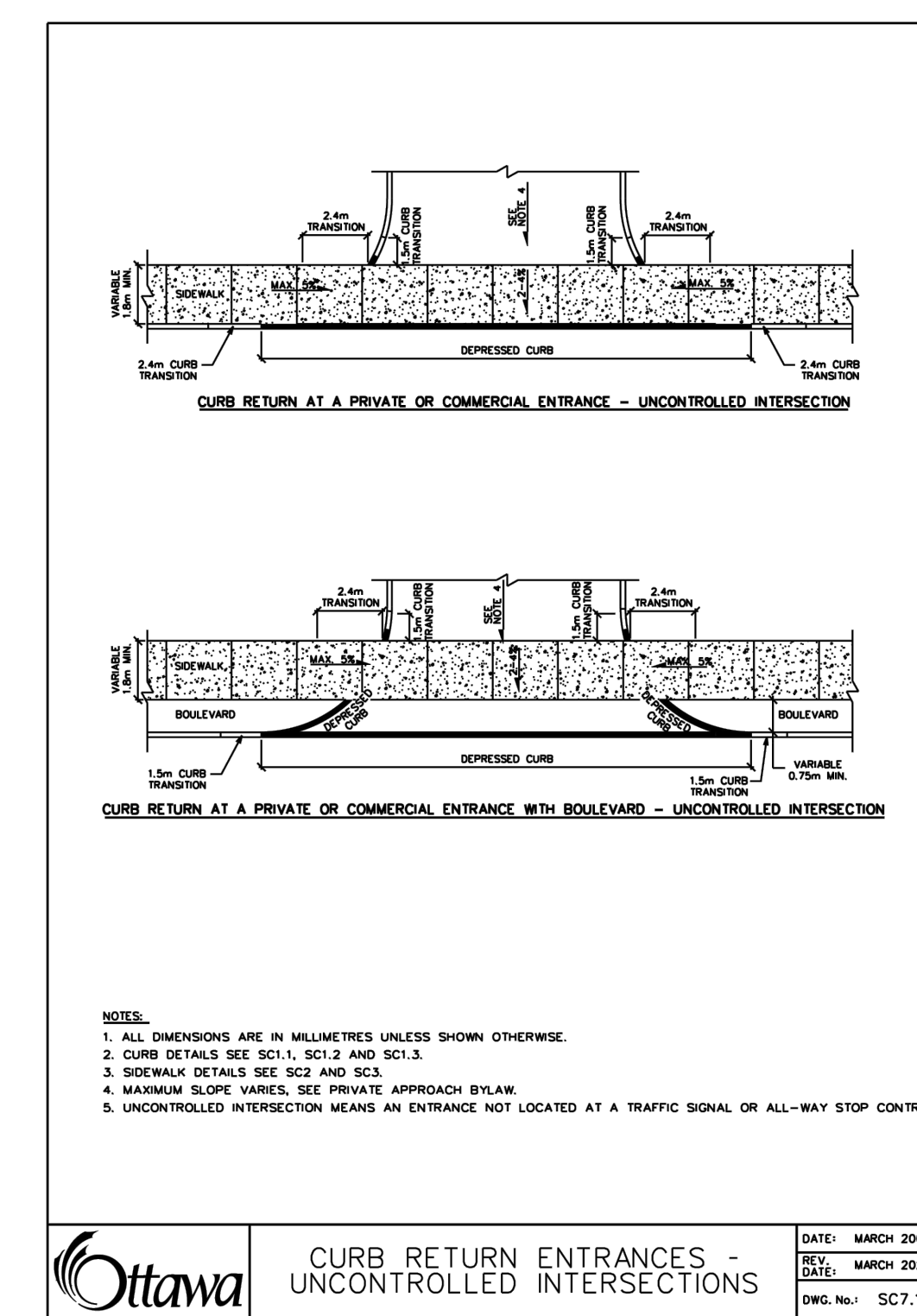
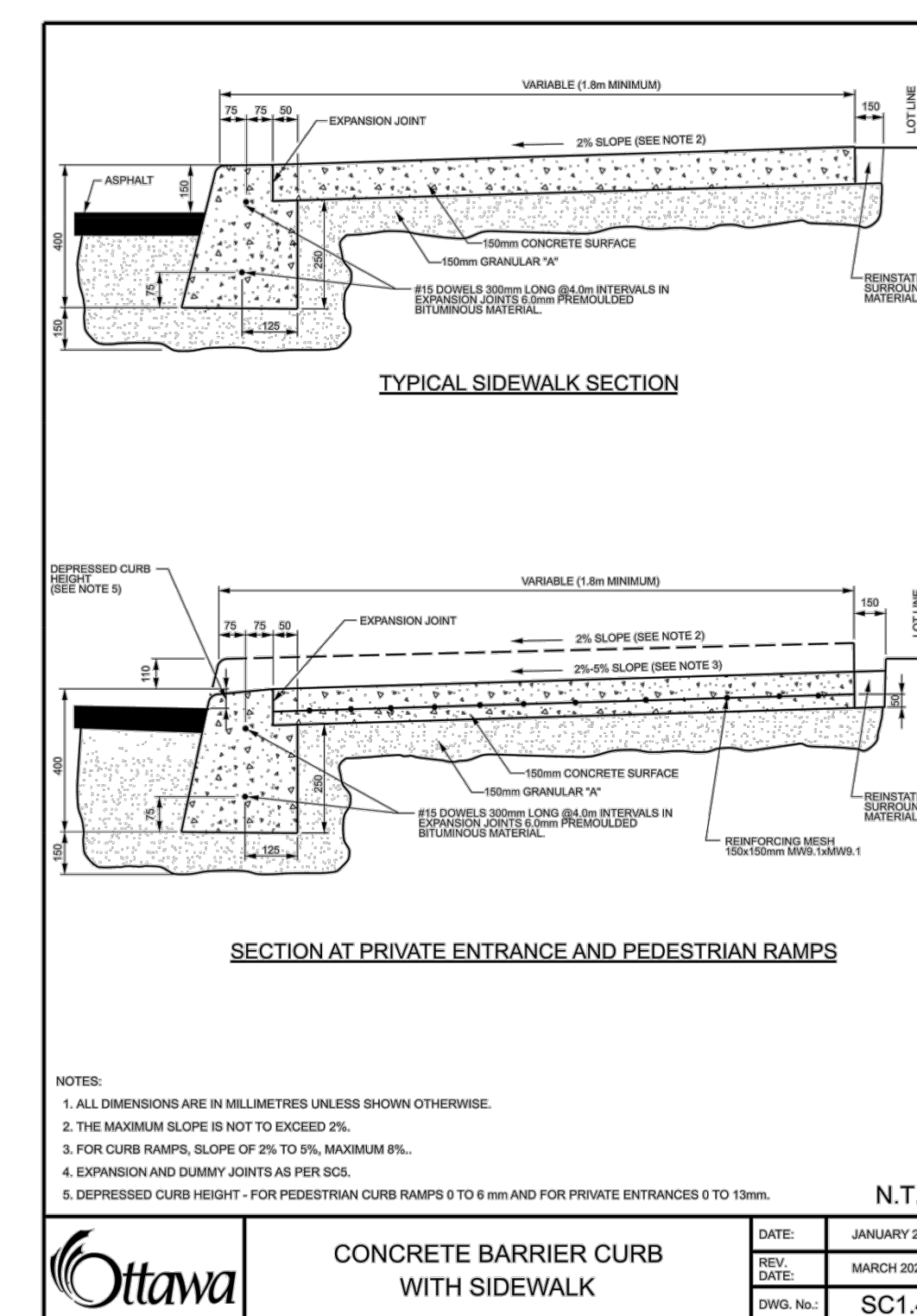
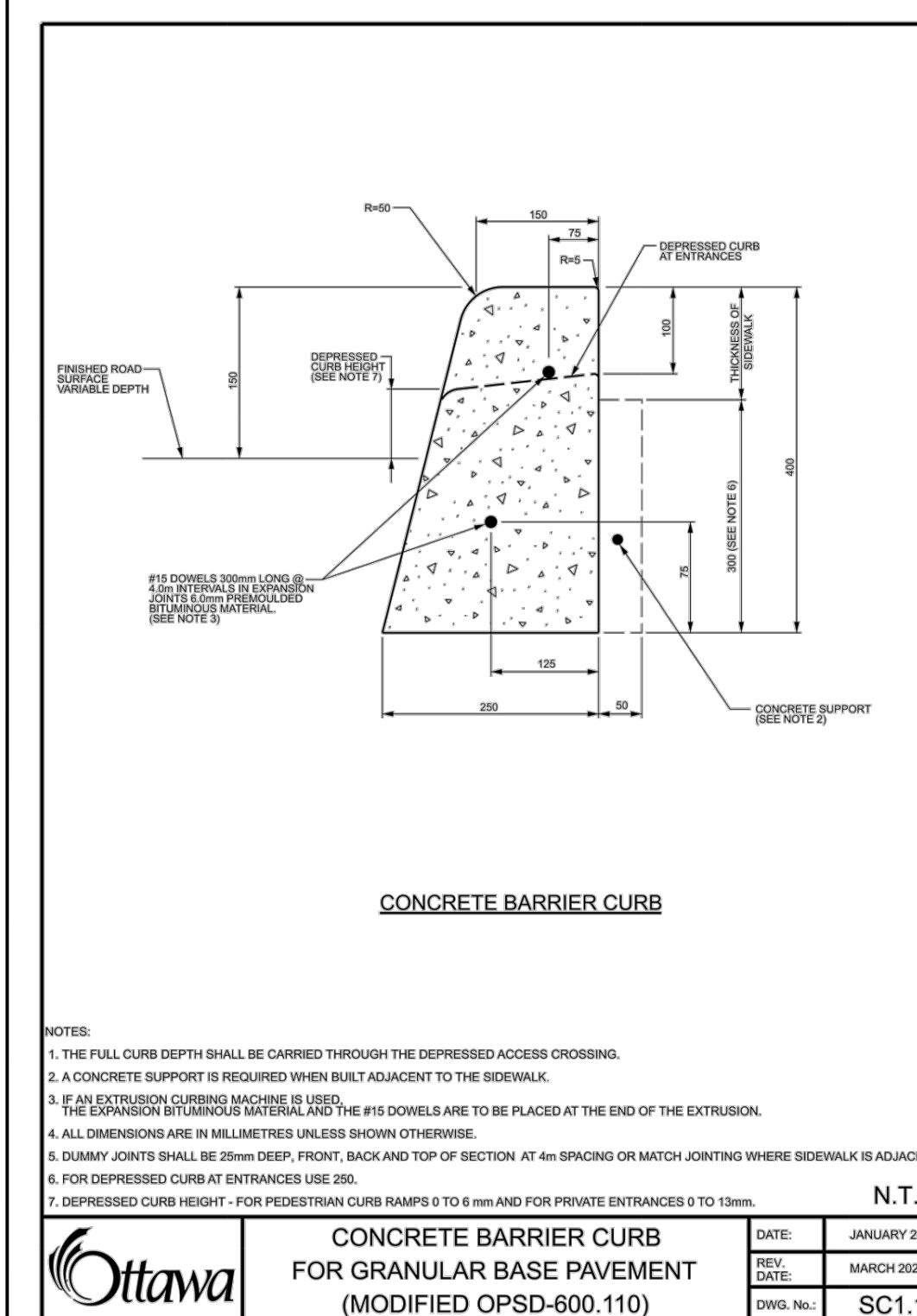
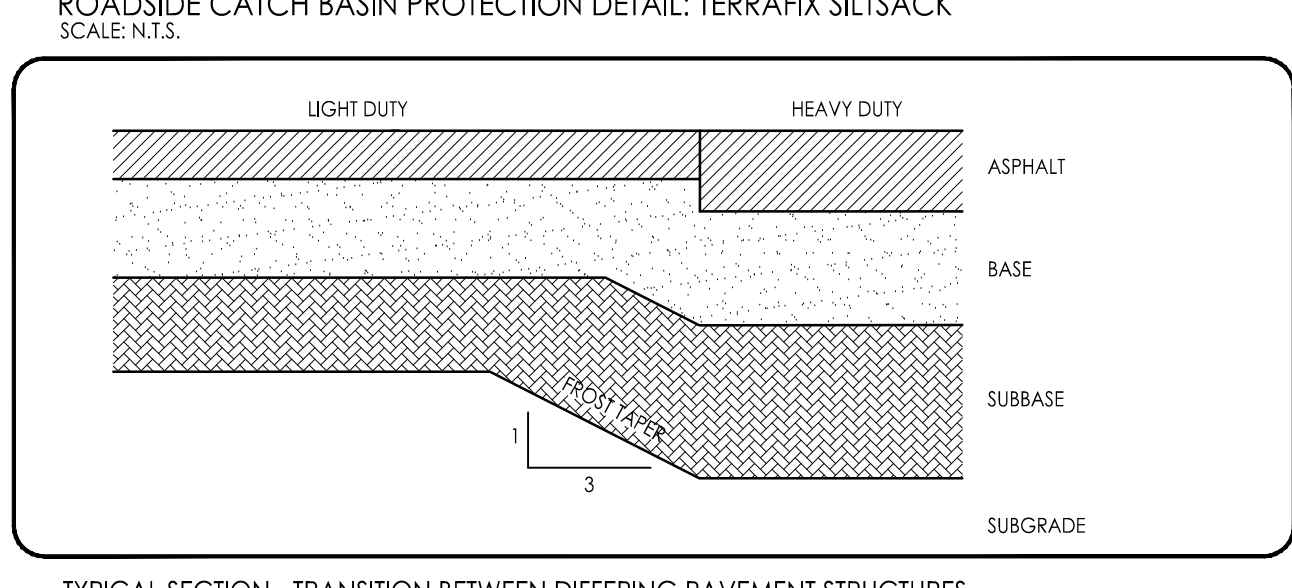
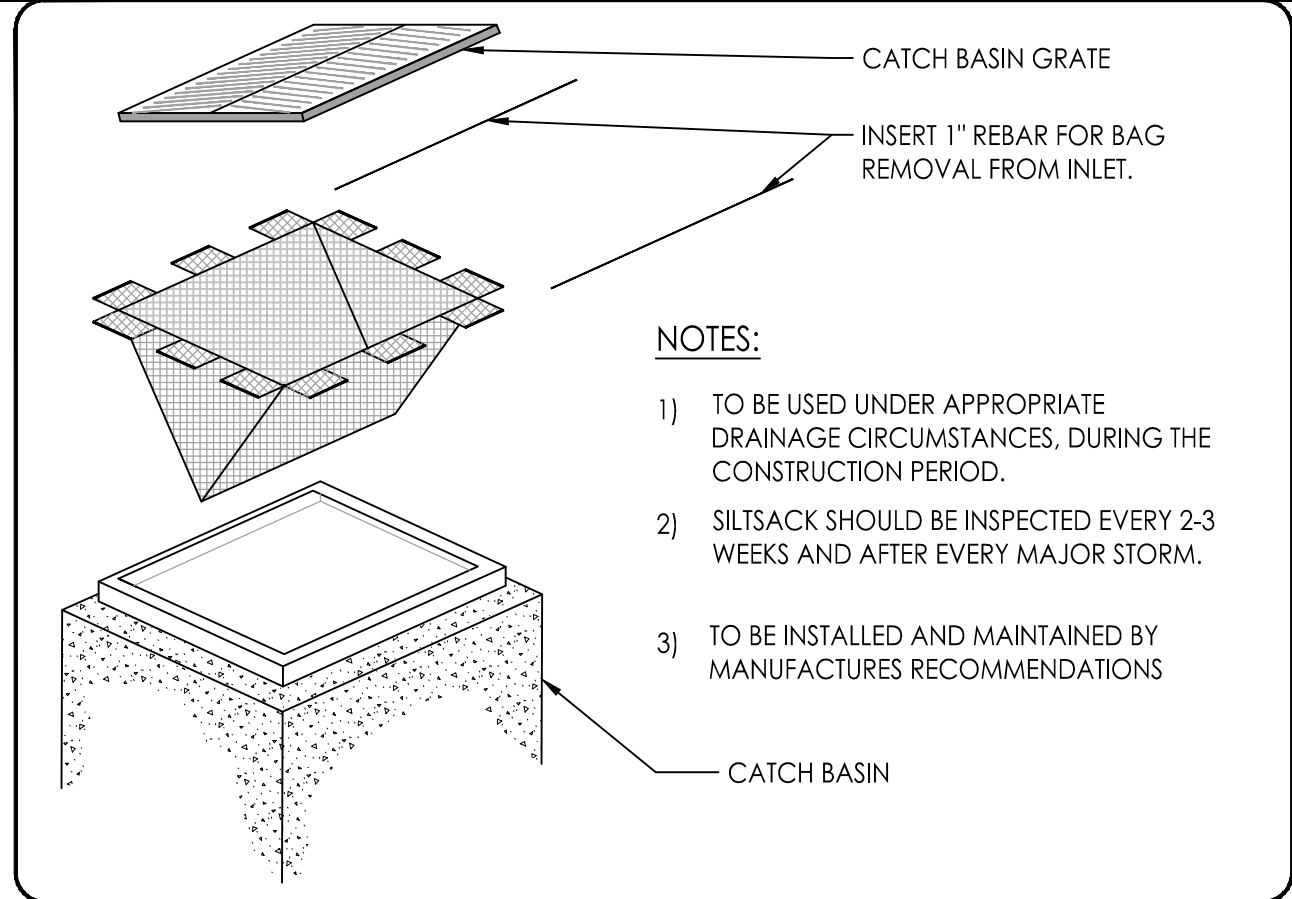
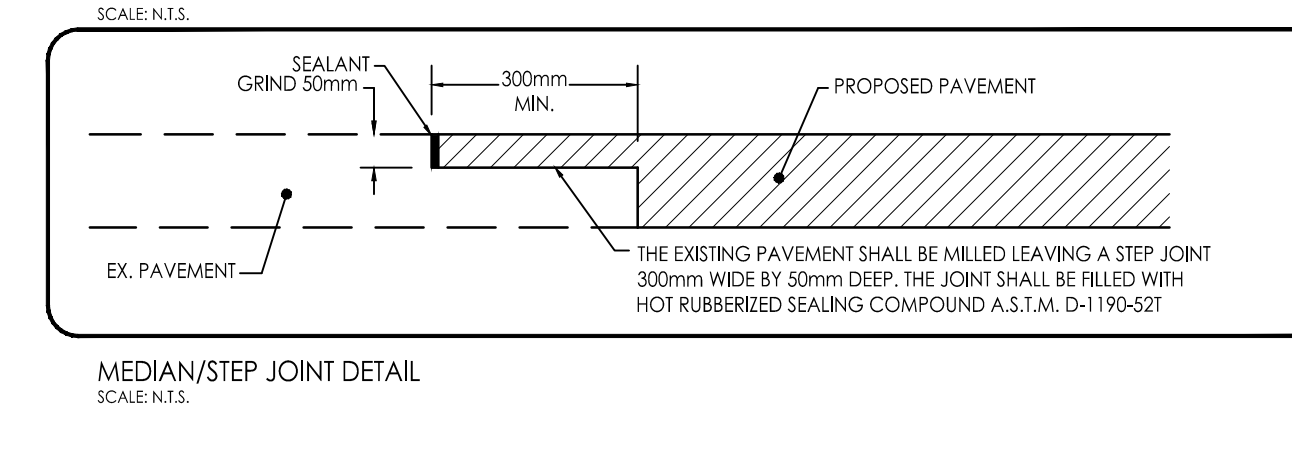
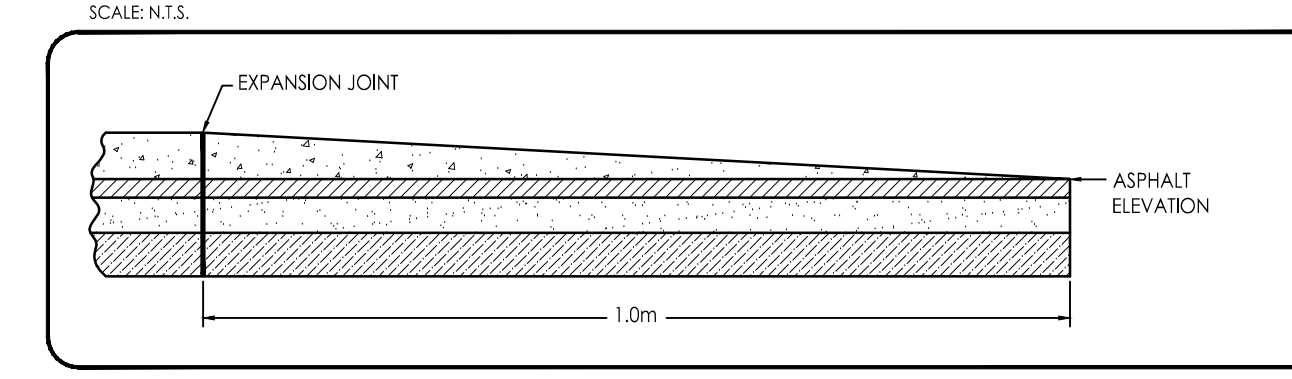
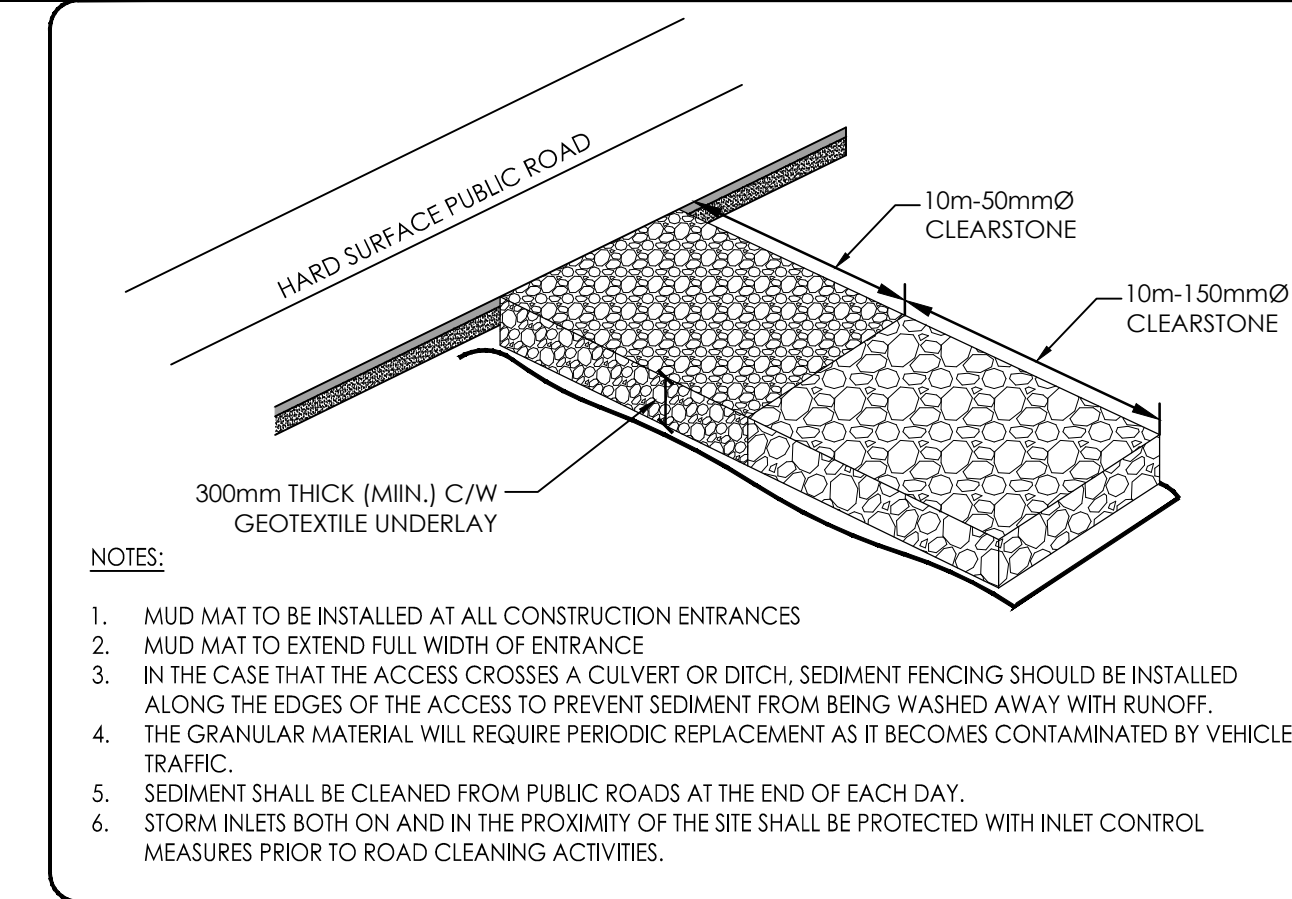
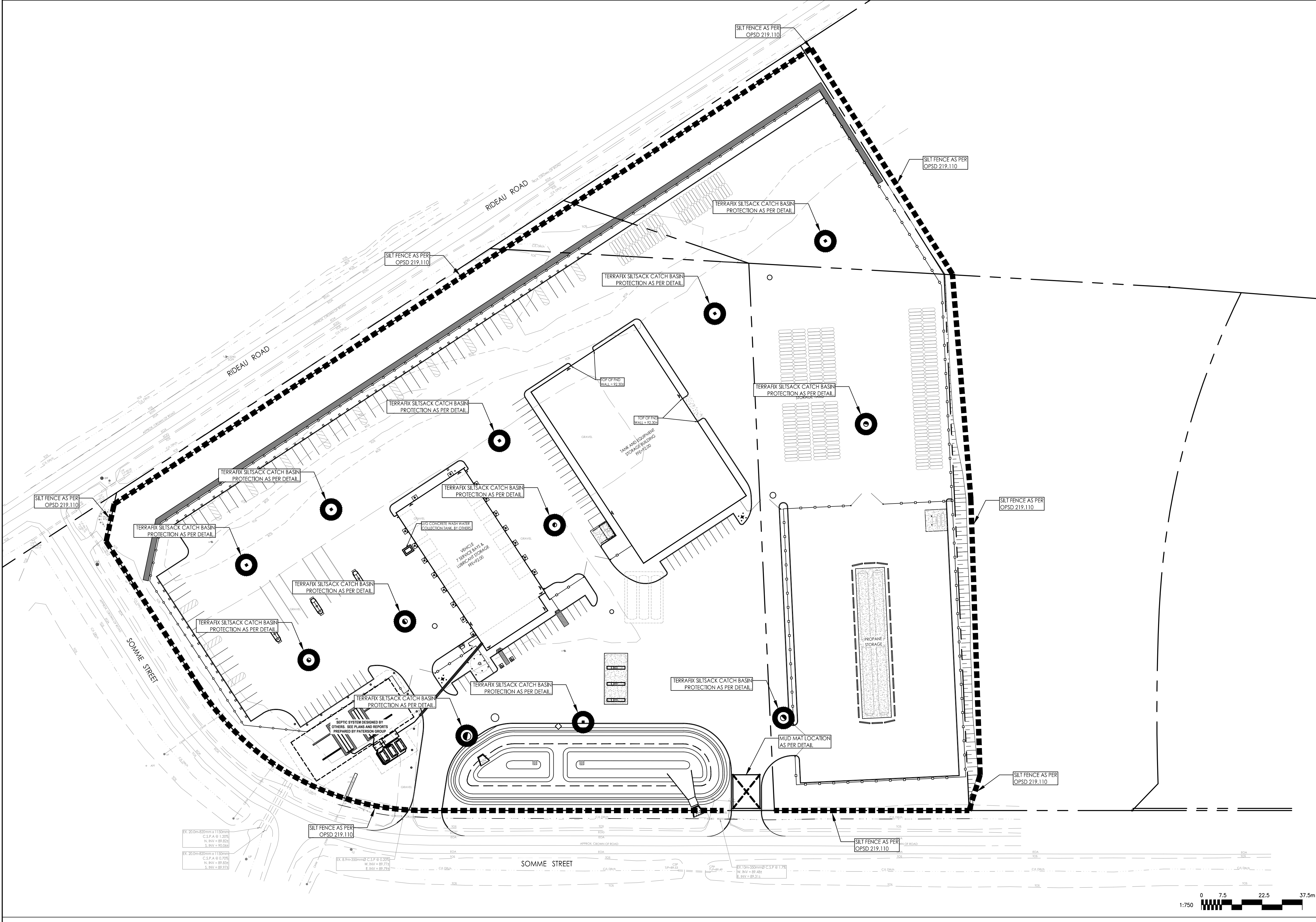


- PROPOSED 3/4" FENCE BOUNDARY AS PER OPSD 219.110
- PROPOSED CATCH BASIN PROTECTION AS PER TERRAFIX SILTSACK DETAIL
- ⊗ PROPOSED MUD MAT LOCATION
- ⊕ PROPOSED VALVE BOX
- ⊖ PROPOSED VALVE CHAMBER
- ⊙ PROPOSED FRIE HYDRANT
- ⊚ PROPOSED SANITARY SEWER MANHOLE
- ⊛ PROPOSED STORM SEWER MANHOLE
- ⊜ PROPOSED CATCH-BASIN

Notes



| | | | | |
|---|-------------------|------|-------|--------------|
| 0 | ISSUED FOR REVIEW | M.S. | P.M. | 25.08.22 |
| 1 | Revision | By | App'd | Y.M.A.M.O.O. |
| 2 | Revision | By | App'd | Y.M.A.M.O.O. |
| 3 | Revision | By | App'd | Y.M.A.M.O.O. |
| 4 | Revision | By | App'd | Y.M.A.M.O.O. |

Permit-Seal

Client/Project
W. O. Stinson & Son Ltd.
Albion Road Property
VEHICLE YARD SERVICE BUILDING
301 SOMME STREET
OTTAWA, ON, CANADA

Title
EROSION CONTROL PLAN
AND DETAIL SHEET

Project No. 160402138 Scale N.T.S.
Drawing No. Sheet Revision
ECDS-1 5 of 9 0