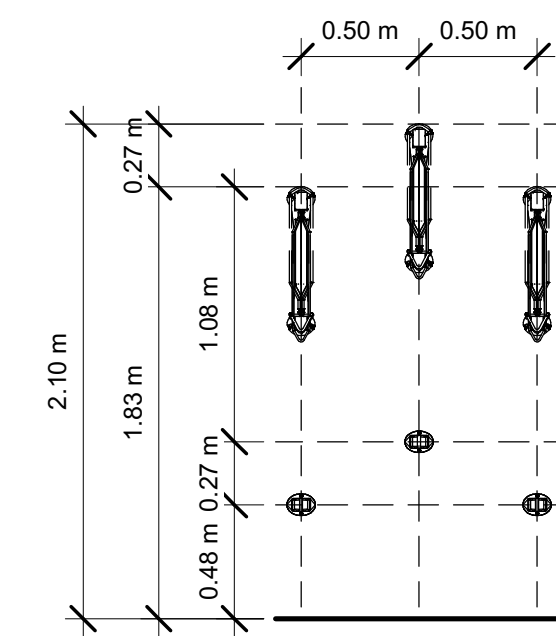
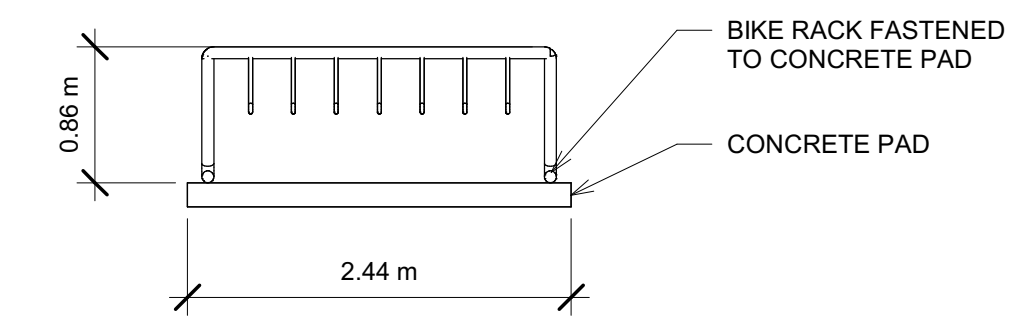
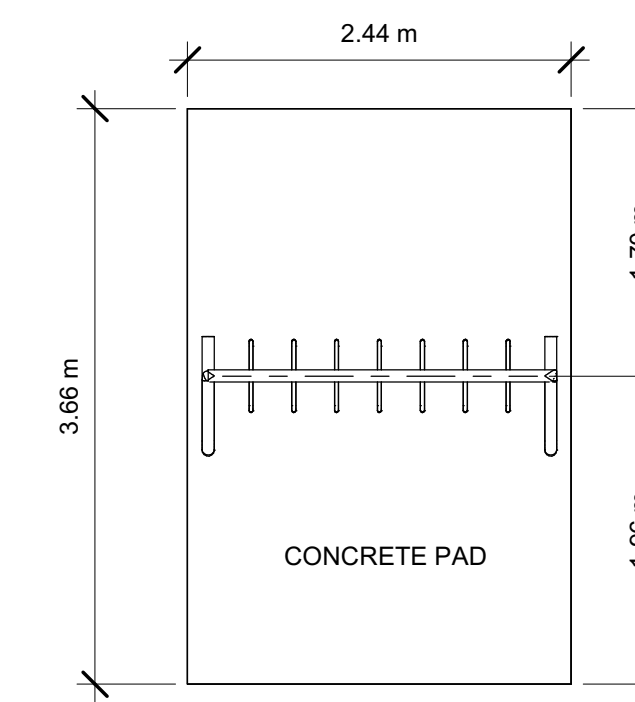


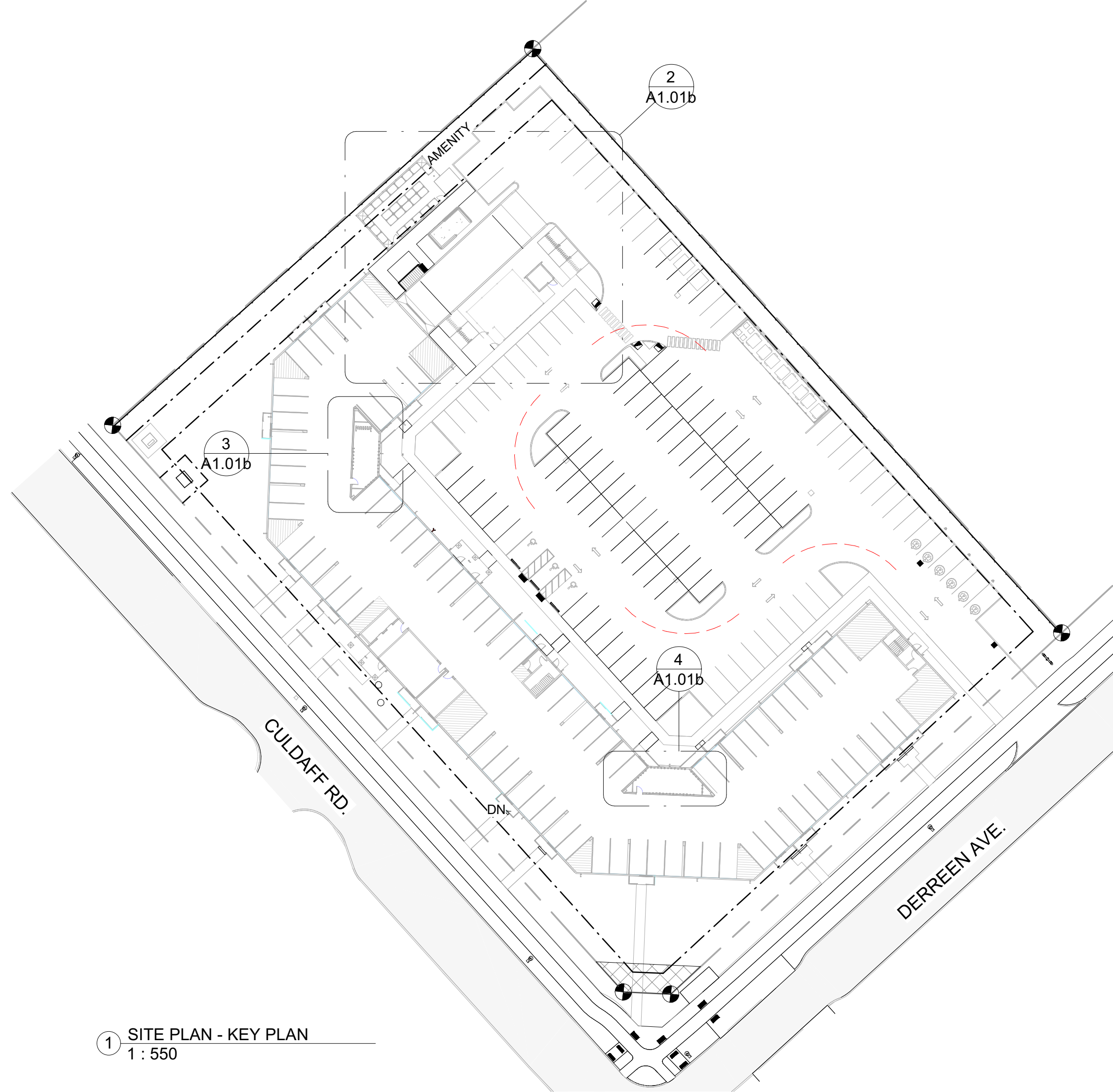
BICYCLE PARKING				
	RATE	UNITS/AREA	REQUIRED	PROPOSED
APARTMENT BUILDING	0.5 / UNIT	177	89	108
<b>TOTAL BICYCLE</b>			<b>89</b>	<b>108</b>
<b>OTHER BICYCLE PROVISIONS</b>				
MAX BIKE STALLS IN LANDSCAPED AREA	50%	-	45	40
MIN HORIZONTAL BIKE STALL	50%	-	45	48
MIN SECURED BIKE STALLS	25%	-	22	68



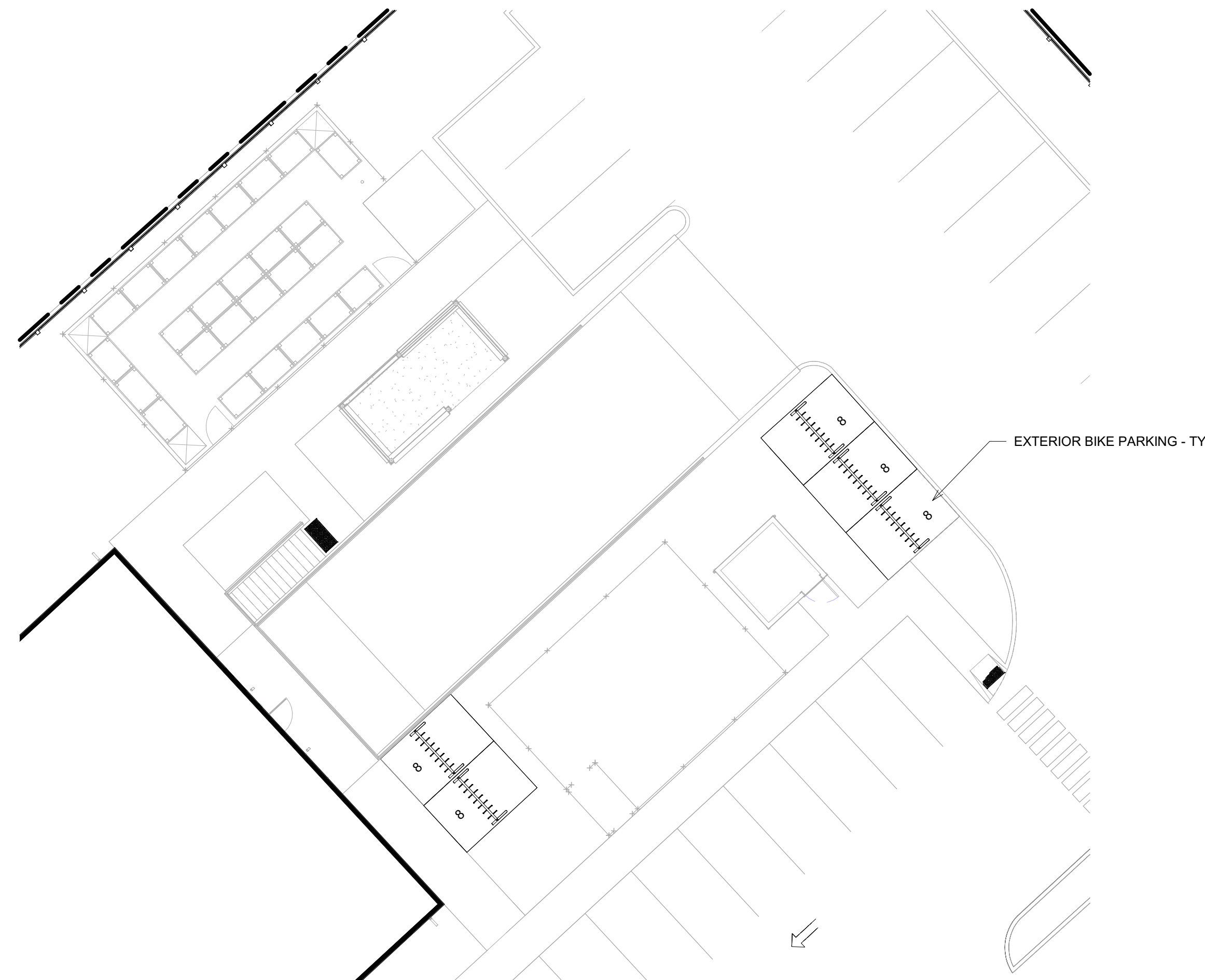
○ VERTICAL BIKE LAYOUT  
1 : 32



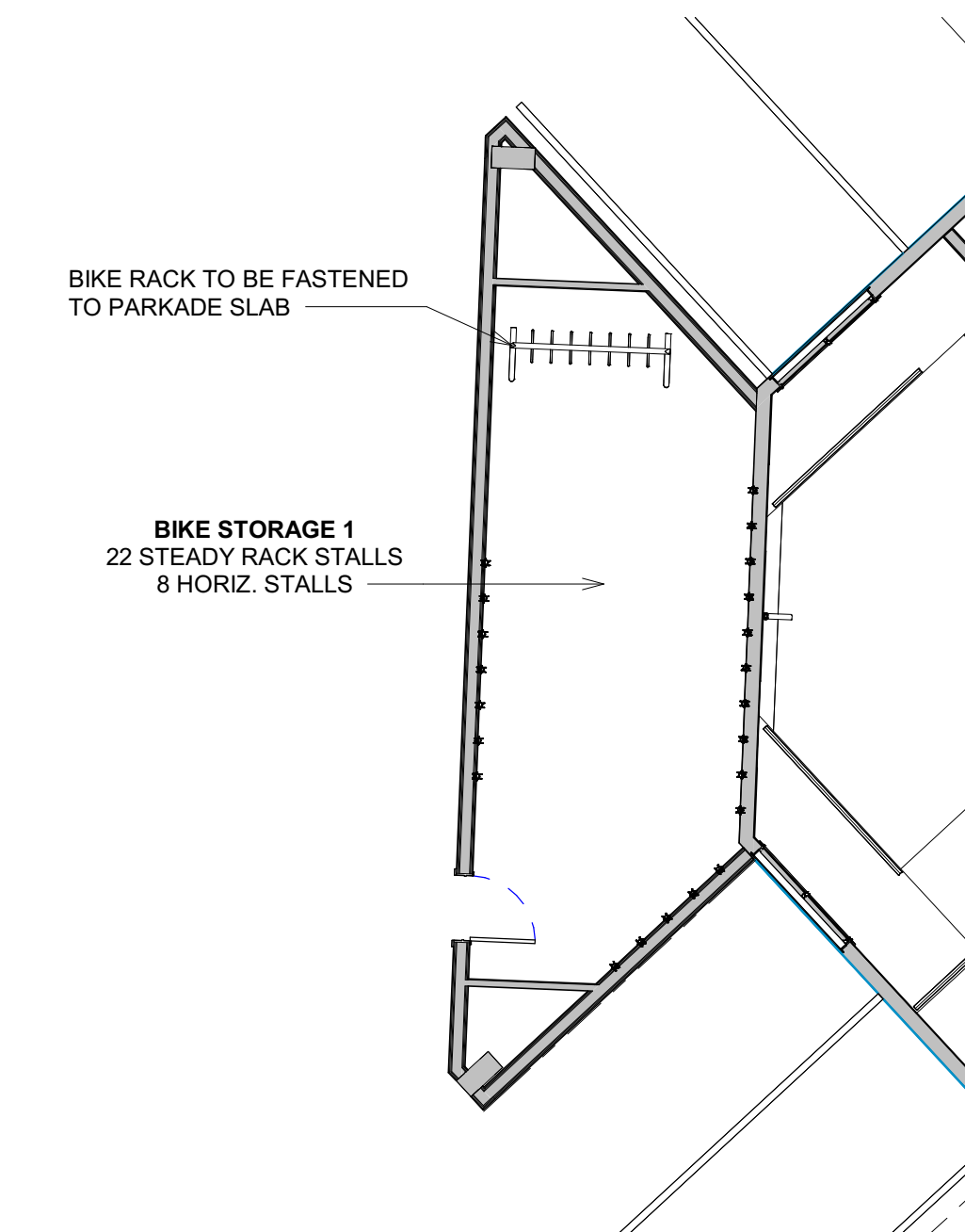
○ BIKE PAD DETAIL  
1 : 48



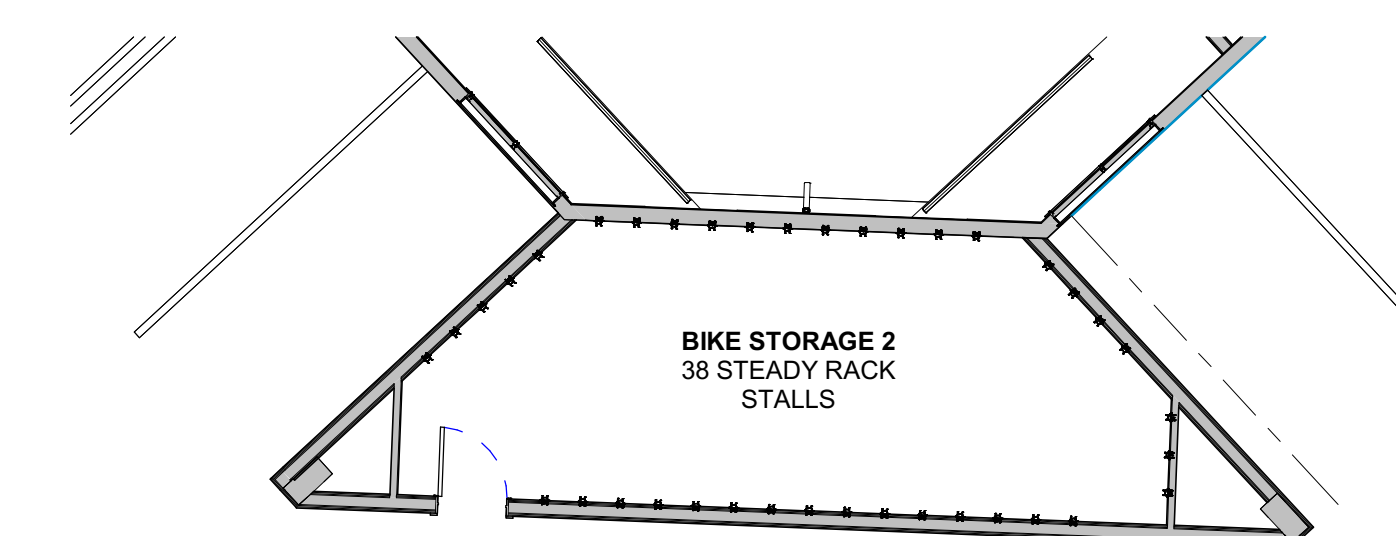
① SITE PLAN - KEY PLAN  
1 : 550



② SITE - AMENITY AREA  
1 : 150

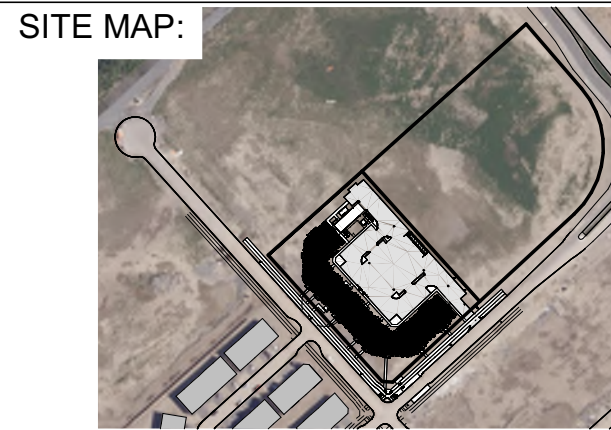


③ PARKADE PLAN - BIKE STORAGE 1  
1 : 100



④ PARKADE PLAN - BIKE STORAGE 2  
1 : 100

INFORMATION ON THIS SHEET  
PROVIDED FOR SITE PLAN  
CONTROL APPROVAL ONLY



PROJECT STATUS:

DEVELOPMENT PERMIT

Revision Schedule

No.	Description	Revision Date
A	ISSUED FOR D.P.	OCT 15, 2024
B	RE-ISSUED FOR D.P.	FEB 14, 2025

SEAL: **ABELEARCHITECTURE**  
THOMAS C. ABEL ARCHITECT P. ENG. T. 604-682-6818



TRADE CONTRACTORS SHALL VERIFY ALL DIMENSIONS AND REPORT ANY DISCREPANCIES OR INCONSISTENCIES TO SEYMOUR PACIFIC DEVELOPMENTS LTD., WITHOUT DELAY. FOR CLARIFICATION AND/OR CONFIRMATION. DO NOT SCALE DRAWINGS. DESIGNS REPRESENTED AND SERVICE SHALL REMAIN THE COPYRIGHT AND PROPERTY OF SEYMOUR PACIFIC DEVELOPMENTS LTD. ANY REPRODUCTION OR USE FOR ANY PURPOSE OTHER THAN THAT AUTHORIZED BY SEYMOUR PACIFIC DEVELOPMENTS LTD. IS PROHIBITED.

CONTRACTORS SHALL REMAIN FAMILIAR WITH, SHALL REFER TO, AND SHALL PERFORM IN ACCORDANCE WITH LOCAL LAWS, REGULATIONS AND BUILDING CODES. CONTRACTORS SHALL MAINTAIN GOOD INDUSTRY BUILDING AND SAFETY PRACTICES CONSISTENT WITH THE CONTRACT INTENT AND THE REQUIREMENTS OF JURISDICTIONAL AUTHORITIES.

ADDITIONAL CLAIMS AND COSTS RELATED TO NON-MATERIAL CHANGES WILL NOT BE ACCEPTED BY SEYMOUR PACIFIC DEVELOPMENTS LTD. NON-MATERIAL CHANGES ARE DEEMED TO BE PLAN CHANGES OR SPECIFICATION ADJUSTMENTS THAT DO NOT SUBSTANTIALLY AFFECT THE VALUE, TIME, COST AND QUALITY OF CONSTRUCTION.

CONTRACTORS SHALL MAKE EVERY REASONABLE EFFORT TO MAINTAIN SCHEDULE TARGETS AND PROVIDE GOOD EFFICIENCY, PROGRESS, WORKMANSHIP AND QUALITY TOWARD DEFICIENCY-FREE RESULTS.

PROJECT NAME:

PALLADIUM TERRACE

PROJECT NUMBER:

VP 2402

ADDRESS:

425 CULDAFF RD  
OTTAWA, ON

DRAWING TITLE:

BIKE PARKING & STORAGE

DRAWN BY: EC

CHECKED BY: CG

DATE: FEB 14, 2025

SCALE: As indicated

DRAWING #:

A1.01b

REV #:

B