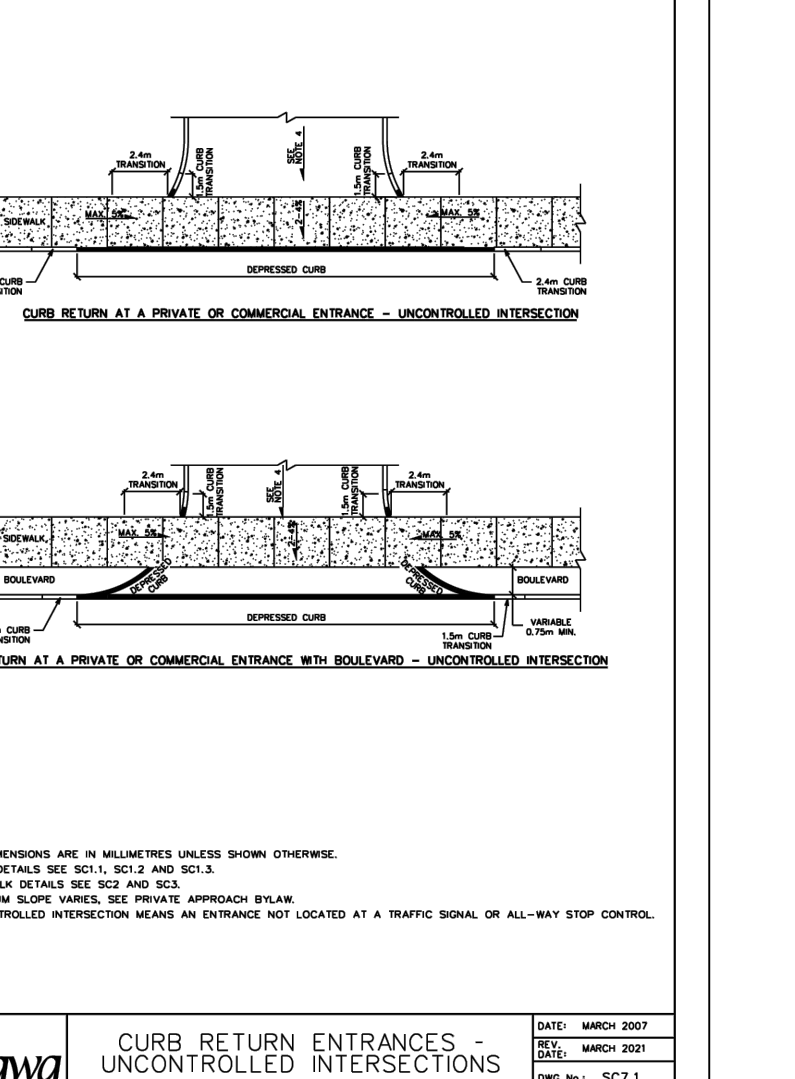
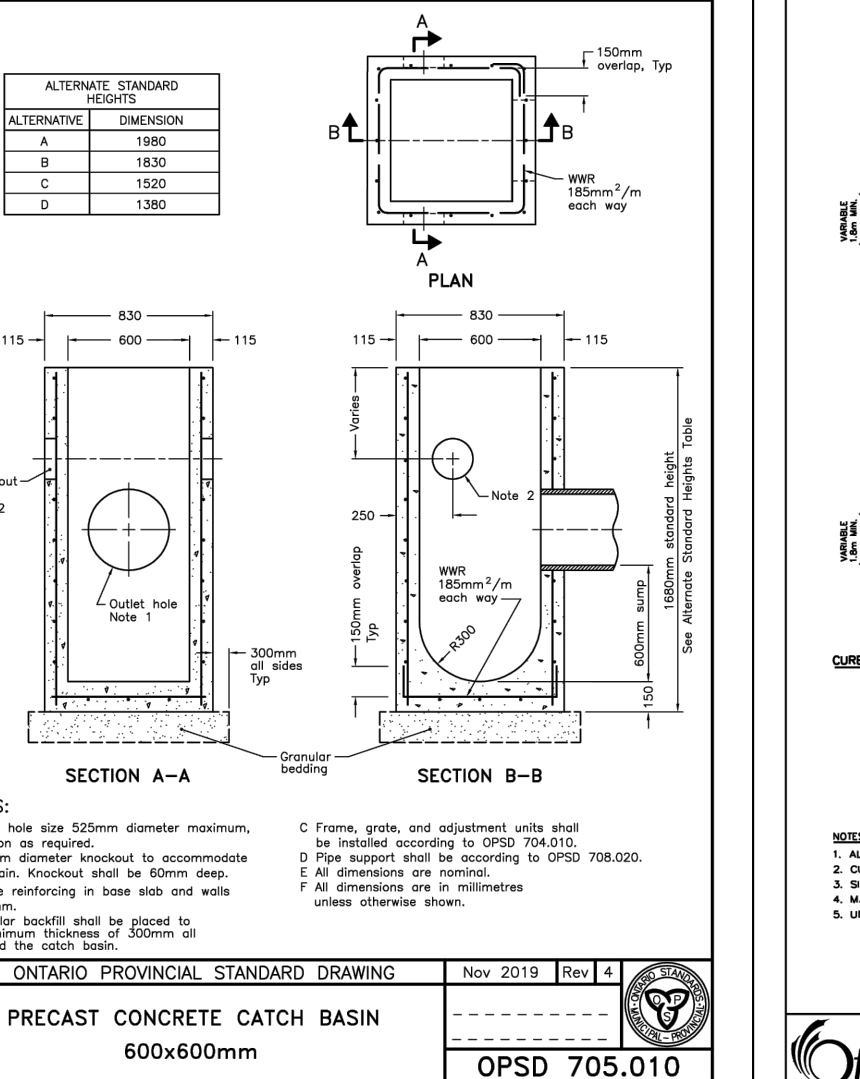
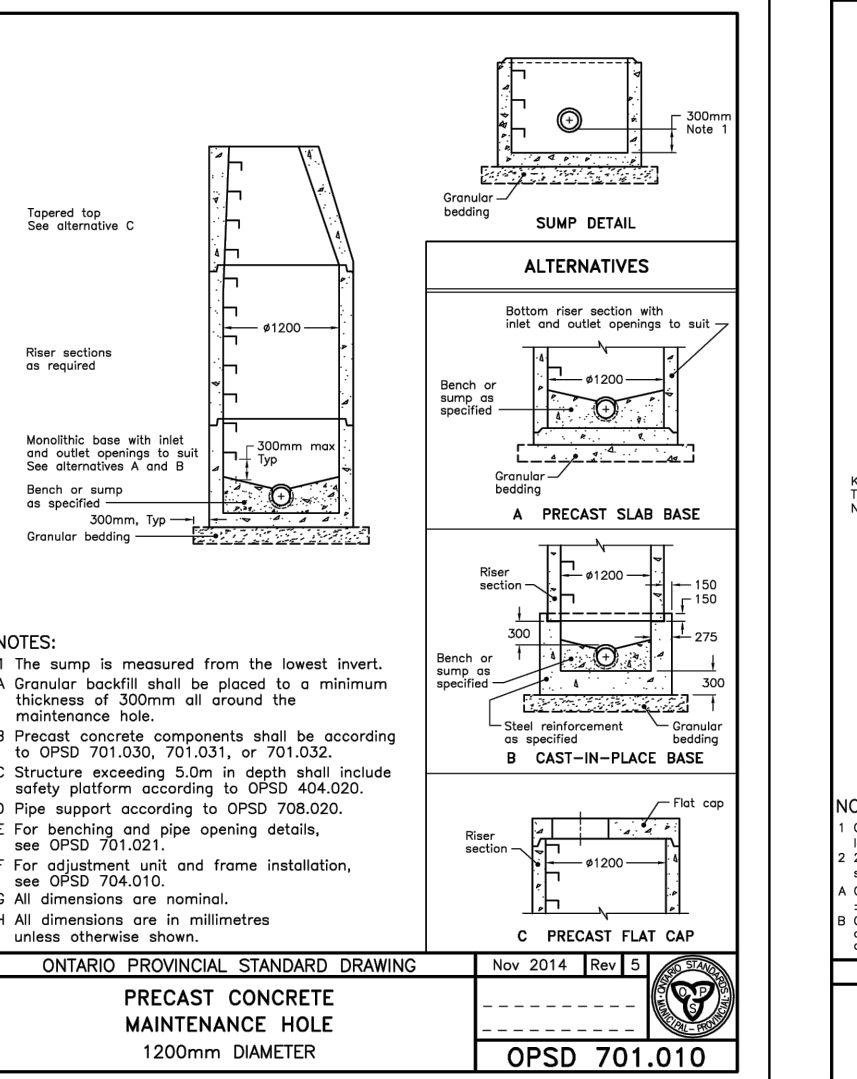
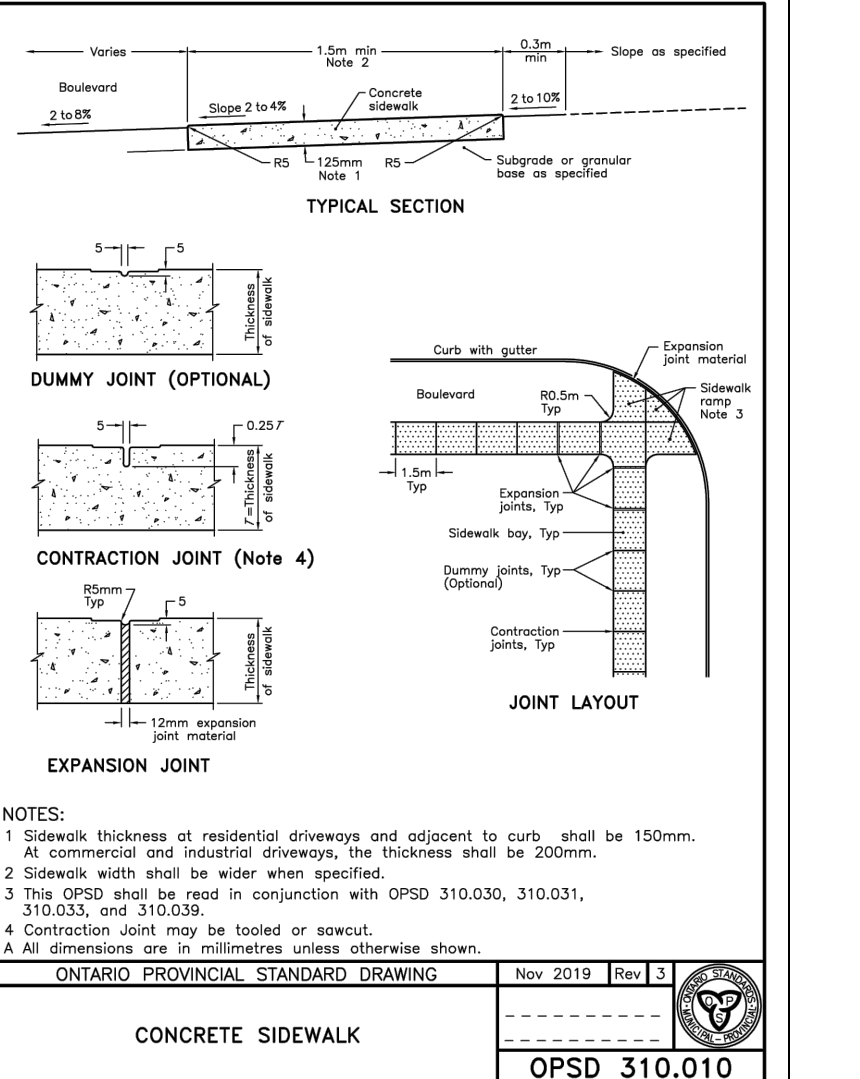
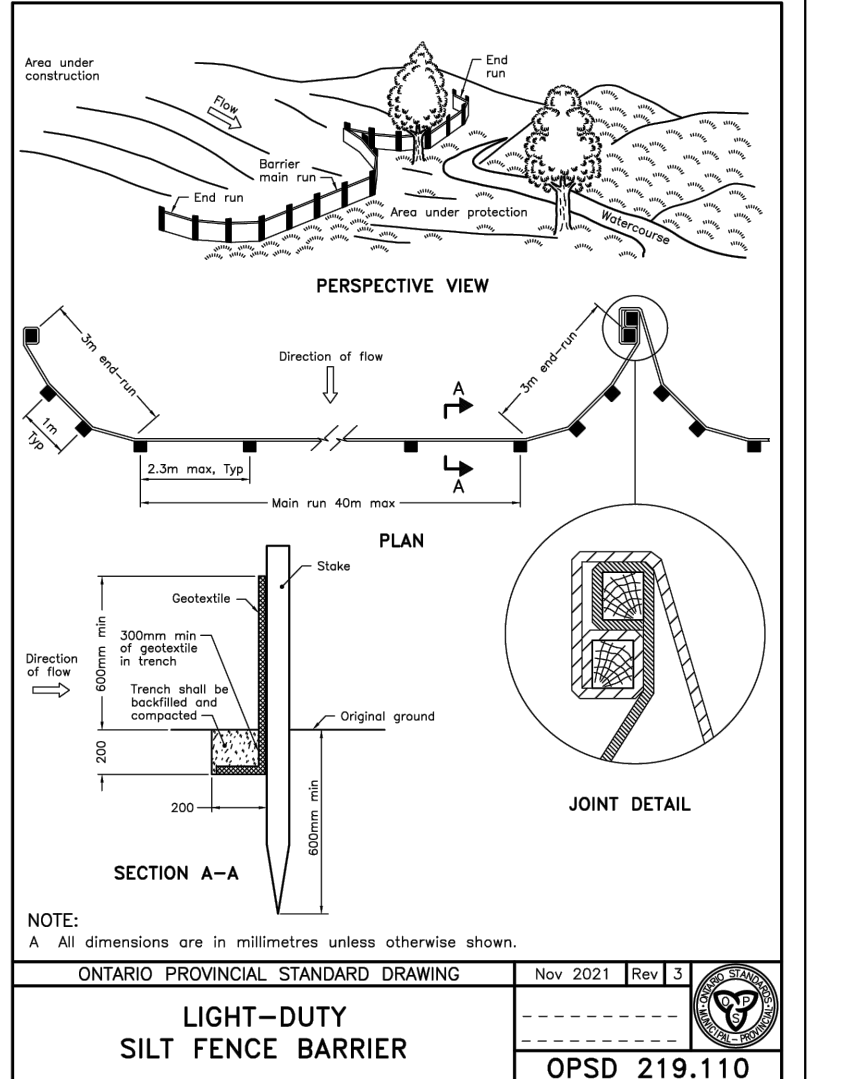
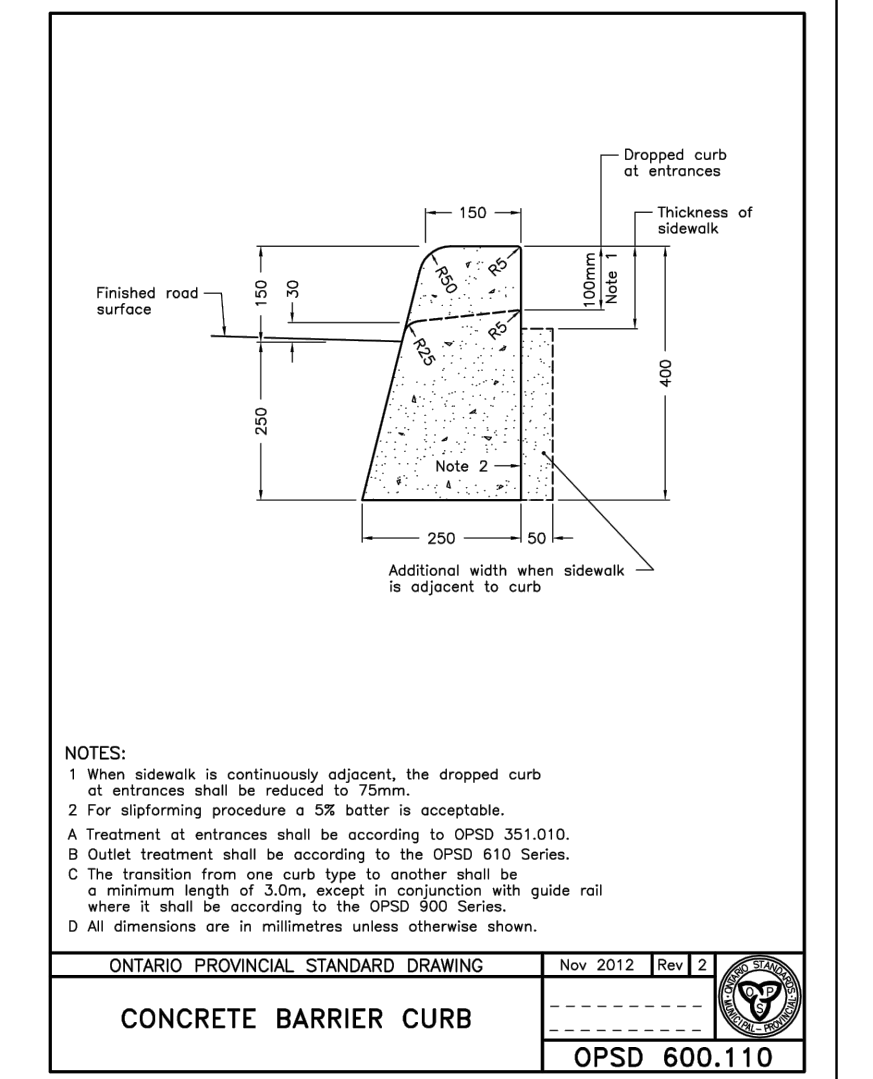


JOHN SEVIGNY C.E.T.
MANAGER (A), DEVELOPMENT REVIEW EAST
PLANNING, DEVELOPMENT & BUILDING SERVICES
DEPARTMENT, CITY OF OTTAWA

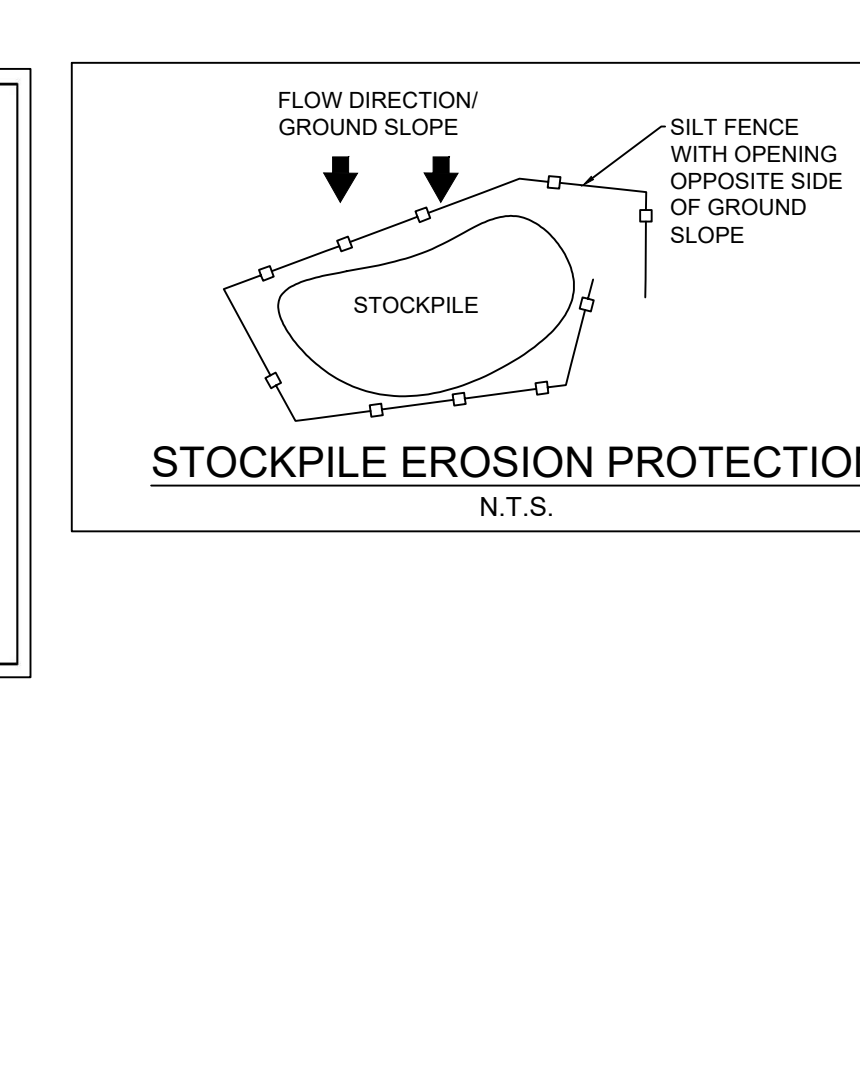
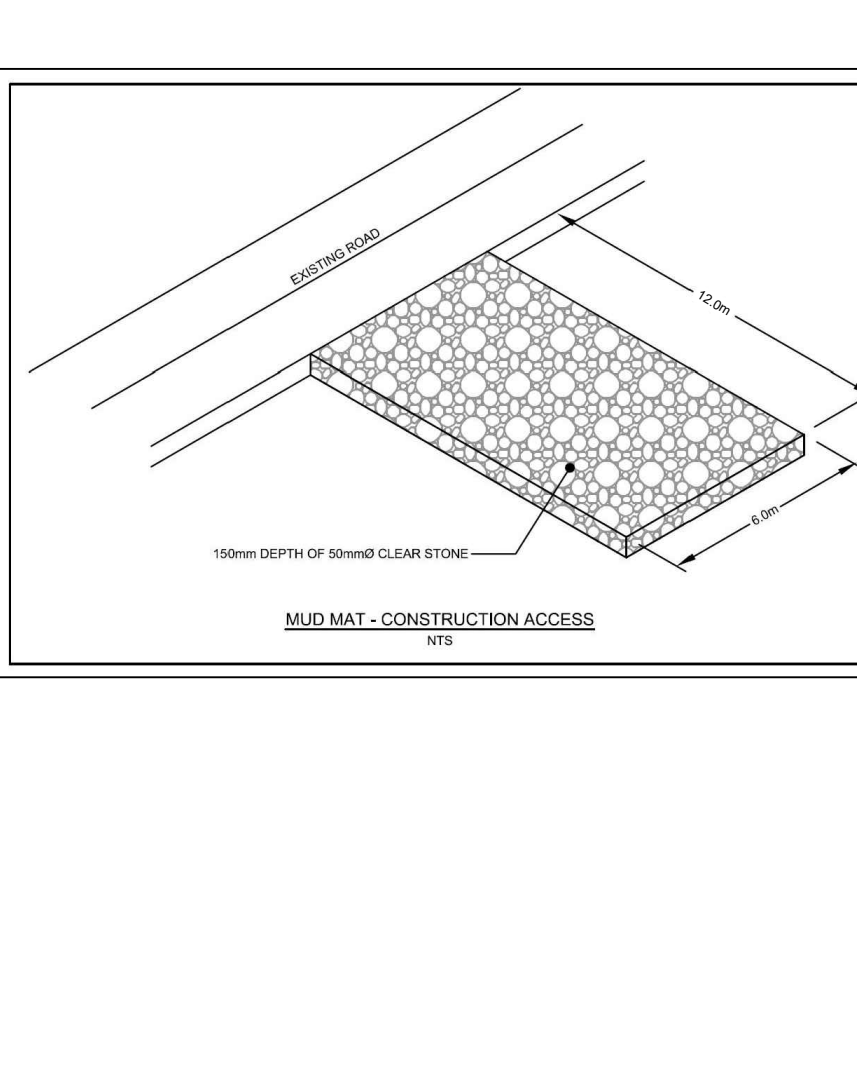
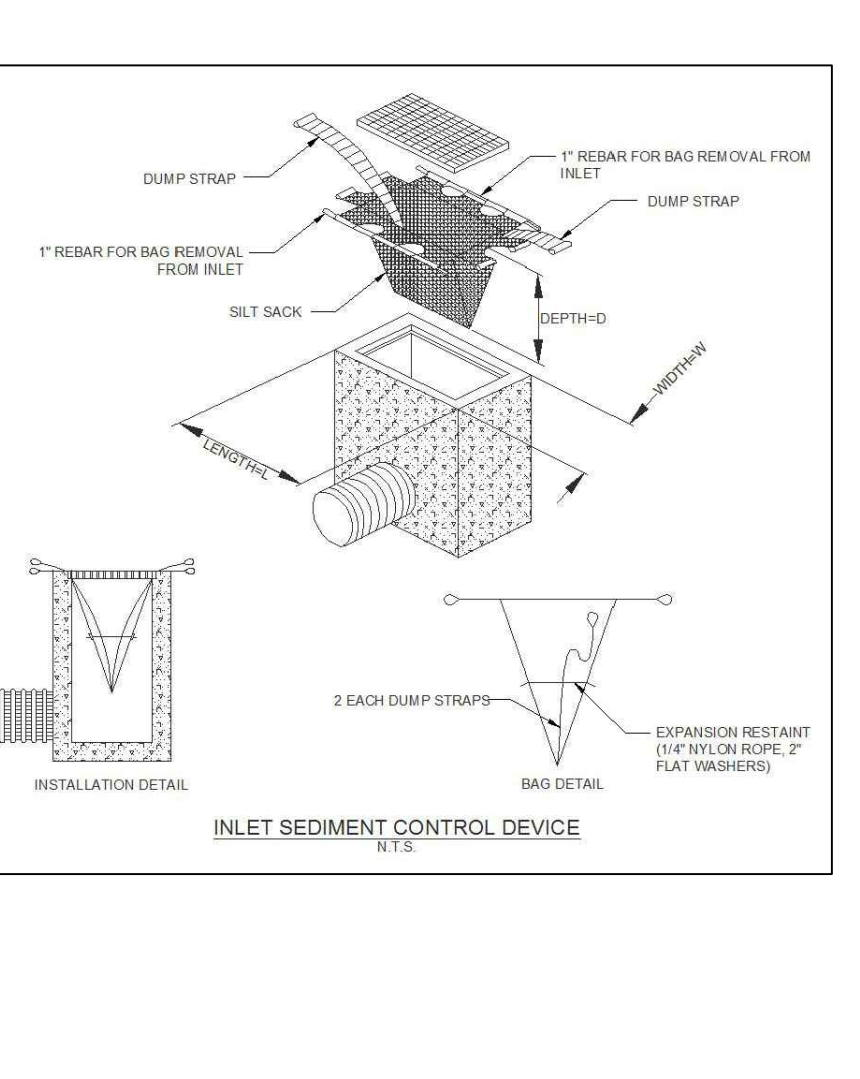
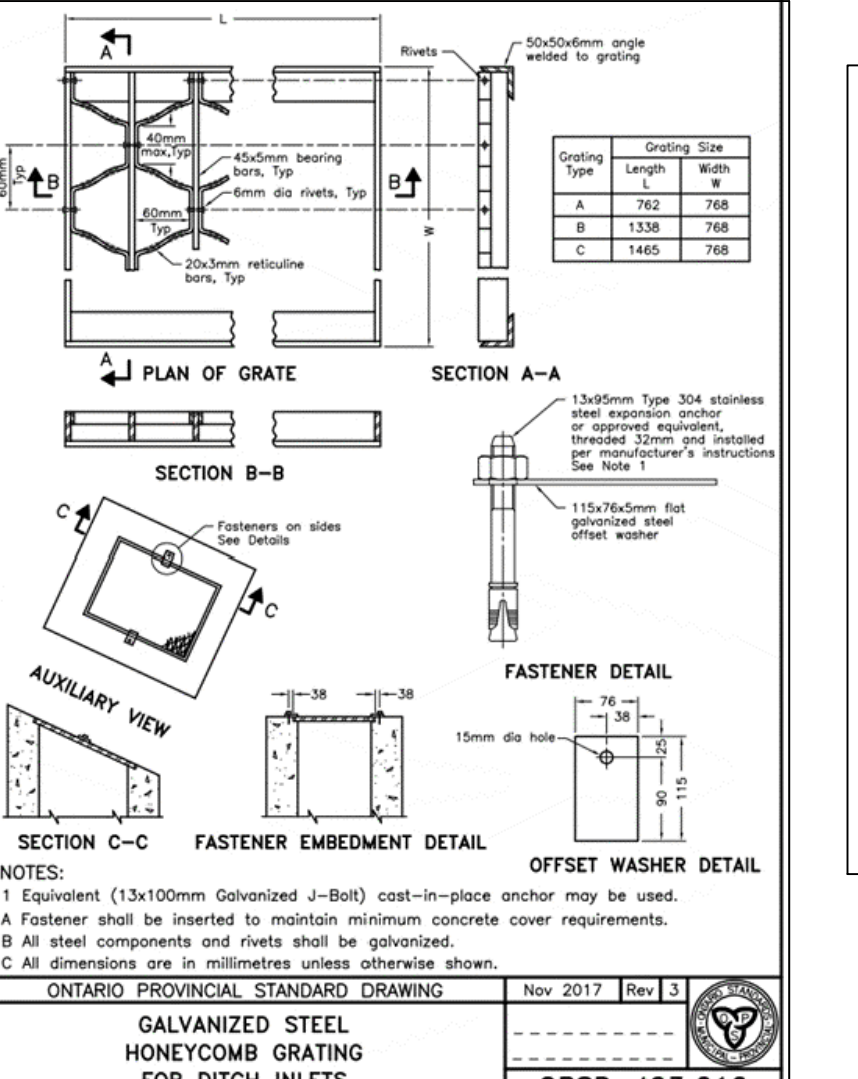
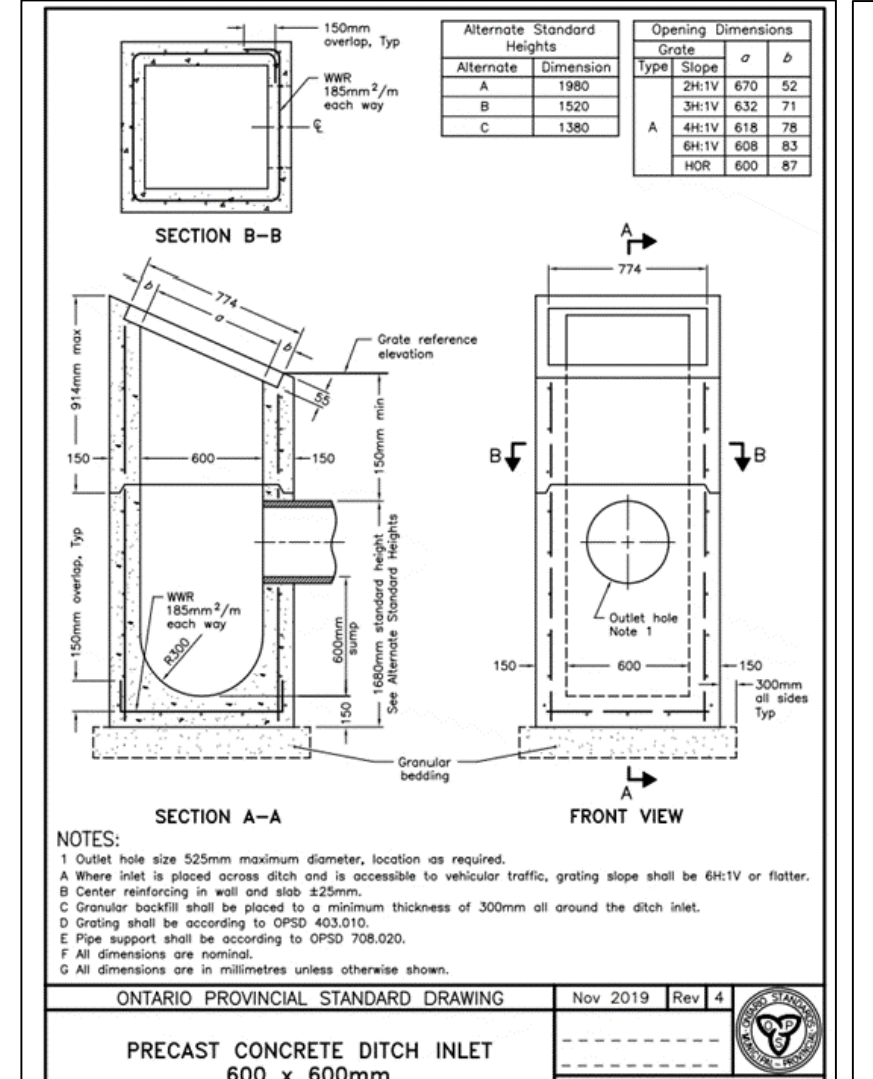
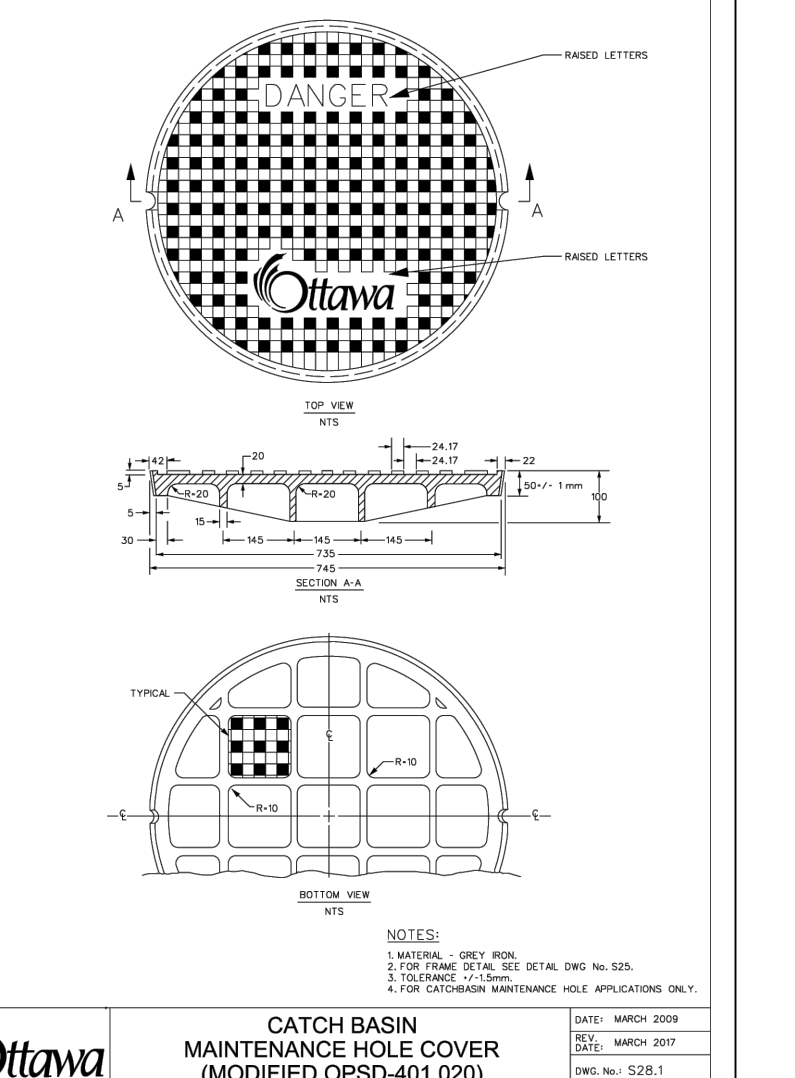
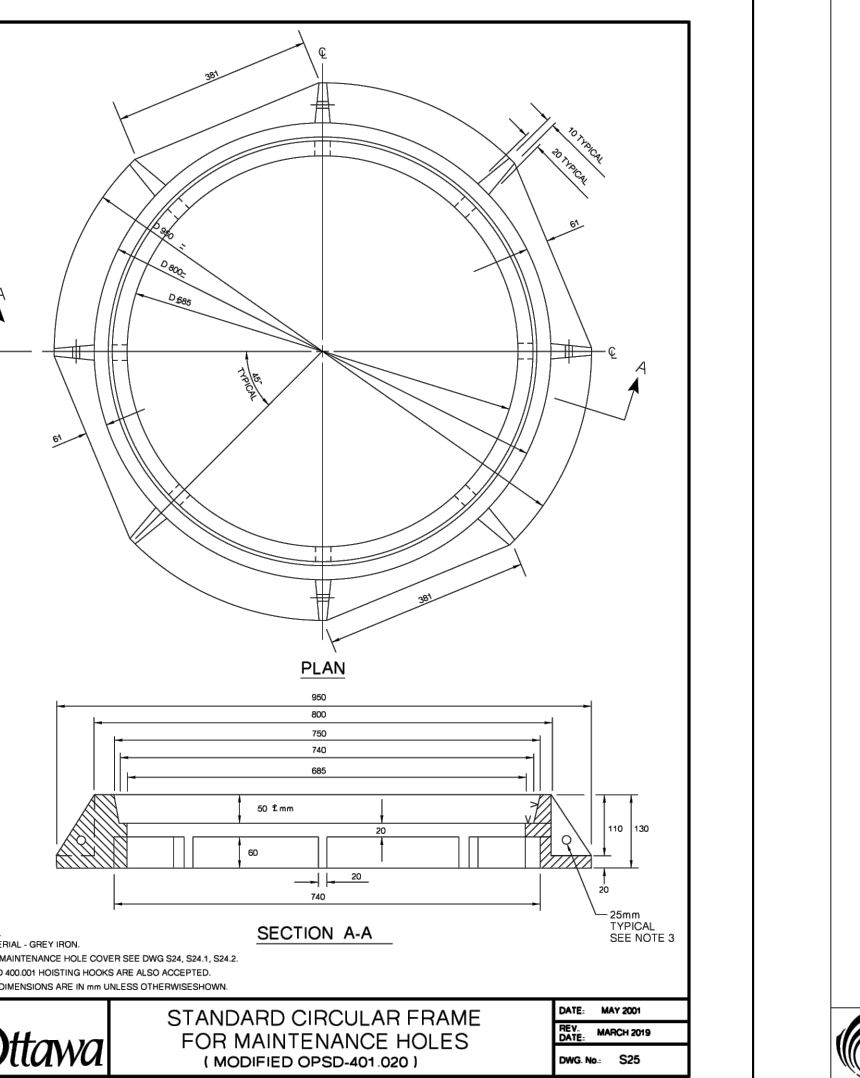
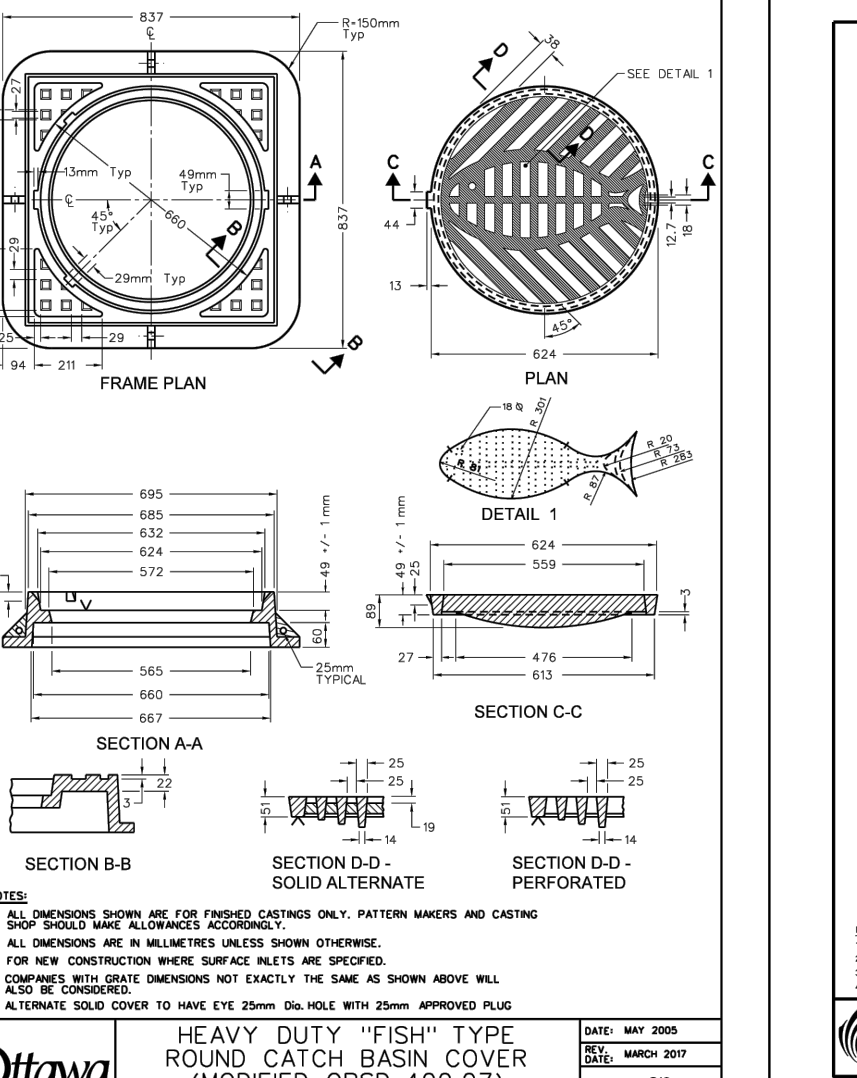
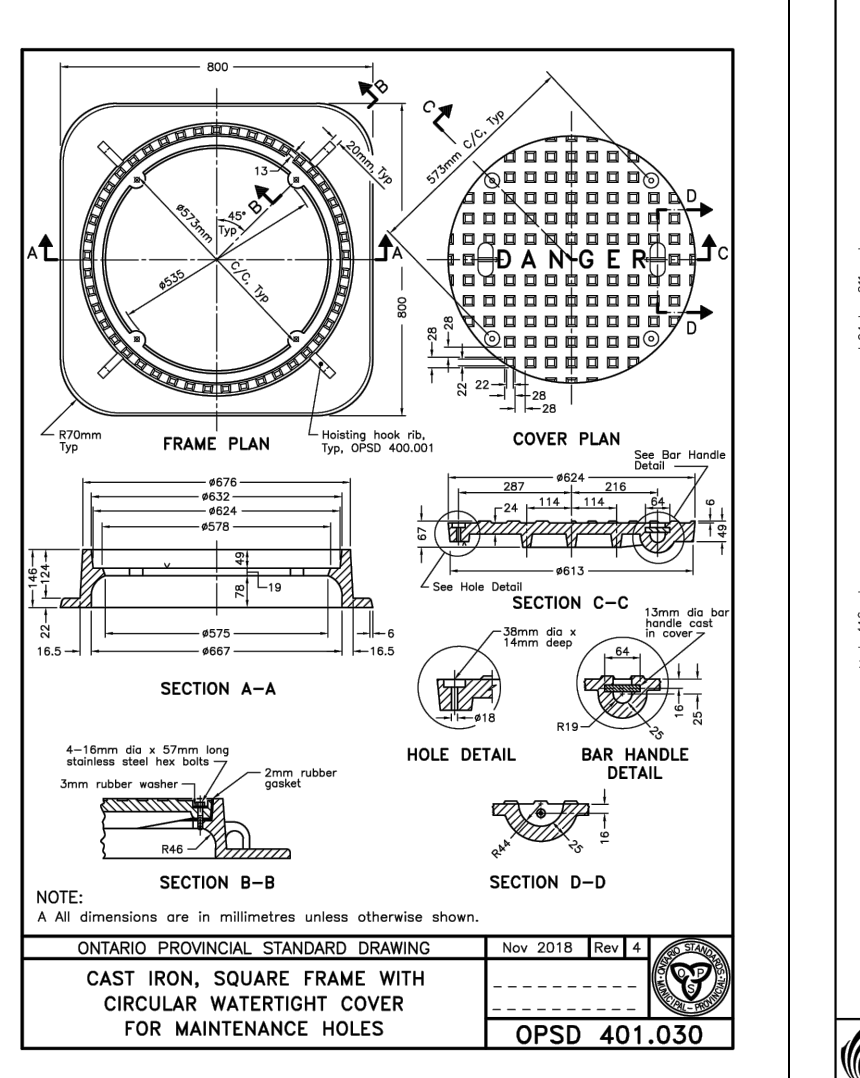
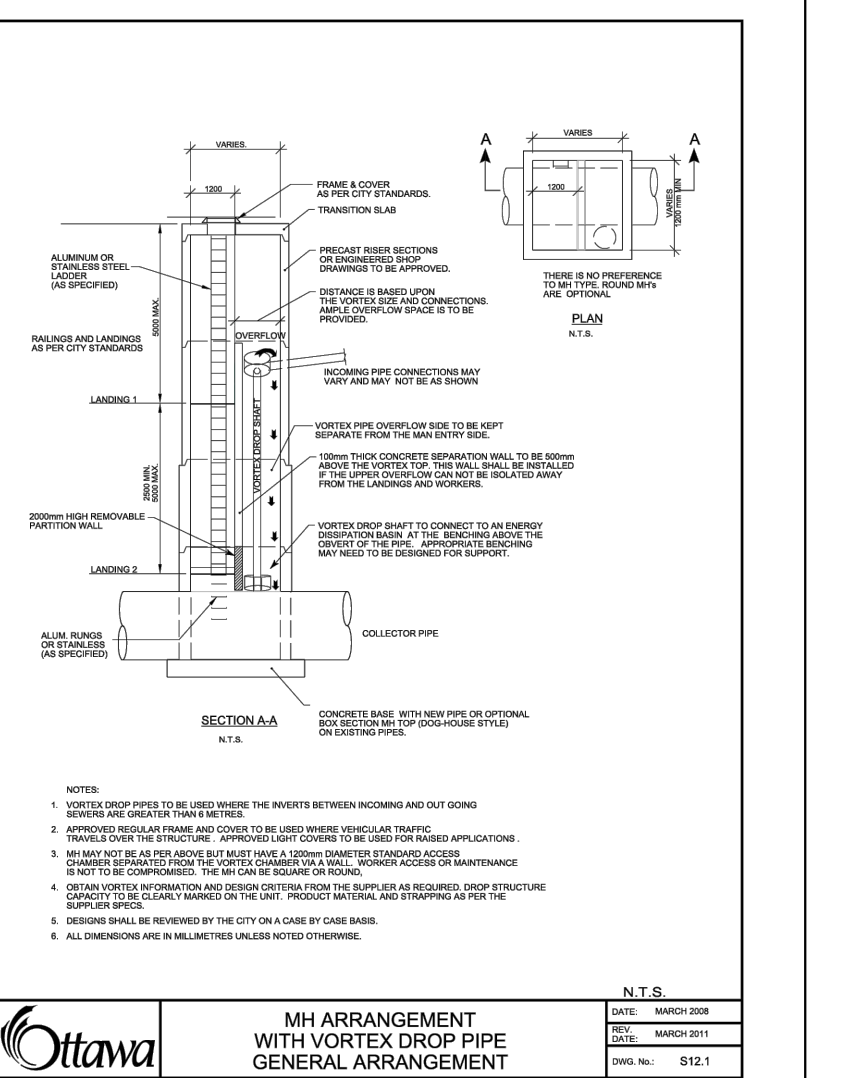
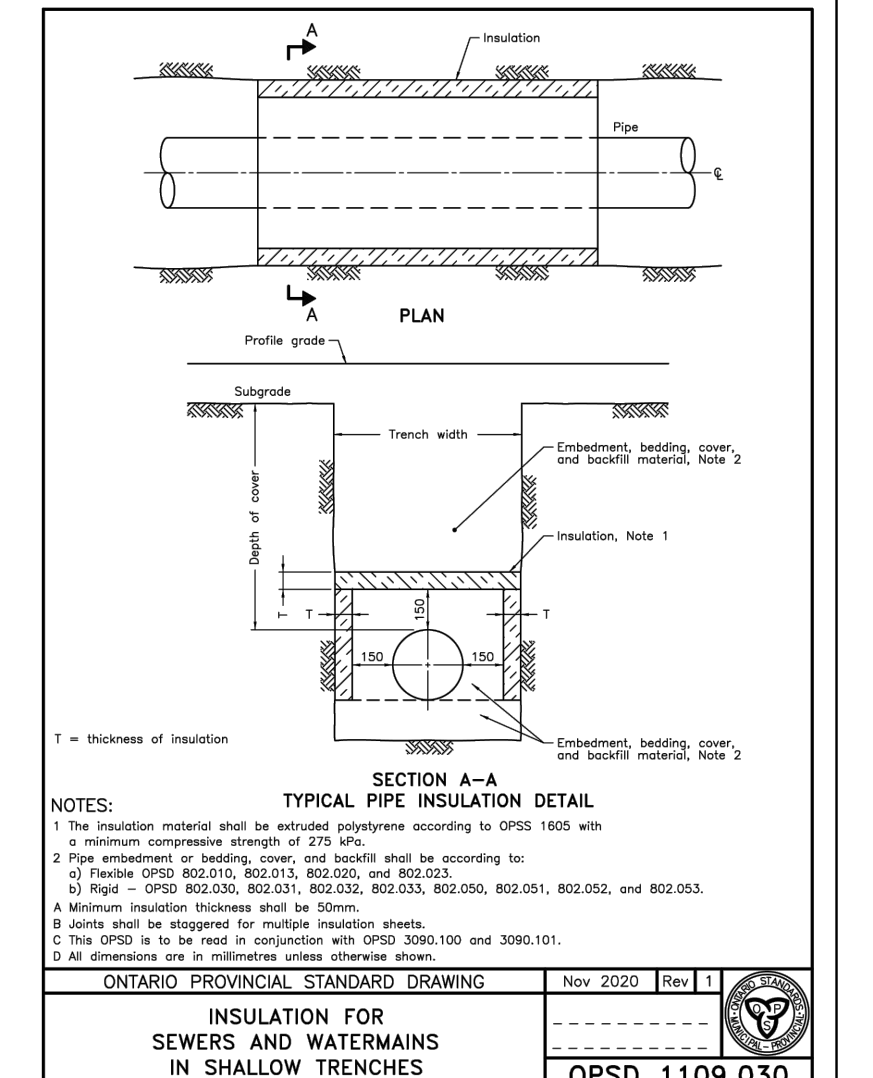
APPROVED
By sevignyjo at 4:22 pm, Jan 22, 2025

GENERAL AND INTERPRETATION OF DRAWINGS
GENERAL CONDITIONS OF THE CONTRACT FOR CONSTRUCTION ARE PART OF THE CONTRACT DOCUMENTS AND DESCRIBE THE SCOPE AND INTENT OF THE DRAWINGS. THE CONTRACTOR AGREES TO HOLD HIMSELF AND HIS SUBCONTRACTORS TO THE CONDITIONS OF THE CONTRACT DOCUMENTS AND TO BE RESPONSIBLE FOR THE WORK SHOWN HEREON, COMPLETELY AND EXCLUSIVELY, EXCEPT AS OTHERWISE INDICATED IN THE CONTRACT DOCUMENTS.



SUBJECT FOR APPROVAL

No.	REVISIONS	BY	DATE
10	ISSUED FOR APPROVAL	M.L.	14 JAN 2025
09	ISSUED FOR APPROVAL	M.L.	17 DEC 2024
08	ISSUED FOR APPROVAL	M.L.	24 OCT 2024
07	ISSUED FOR APPROVAL	M.L.	11 OCT 2024
06	ISSUED FOR APPROVAL	M.L.	08 AUG 2024
05	ISSUED FOR APPROVAL	S.V.	30 JUL 2024
04	ISSUED FOR APPROVAL	M.L.	28 JUN 2024
03	ISSUED FOR APPROVAL	M.L.	29 JAN 2024
02	ISSUED FOR APPROVAL	M.L.	25 OCT 2023
01	ISSUED FOR COORDINATION	M.L.	06 OCT 2023



M.BASNET
100501996
2025/1/14
PROVINCE OF ONTARIO

NOT AUTHENTIC UNLESS SIGNED AND DATED

LRL
ENGINEERING | INGENIERIE
5430 Canotek Road | Ottawa, ON, K1J 9G2
www.lrl.ca | (613) 842-3434

CLIENT
TRIM WORKS DEVELOPMENT LTD

DESIGNED BY: M.L. DRAWN BY: M.L. APPROVED BY: M.B.

PROJECT
PLAZA TRIM ROAD DEVELOPMENT
1280 TRIM RD,
OTTAWA, ON

DRAWING TITLE
CONSTRUCTION DETAIL PLAN

PROJECT NO. 230202
DATE APRIL 2023

C901