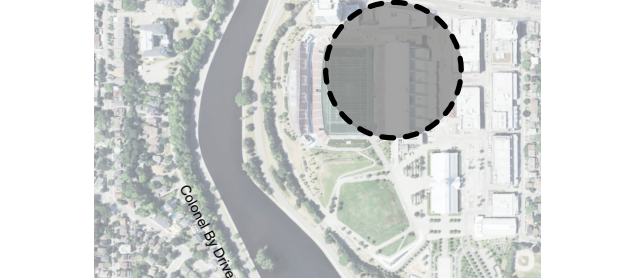


NO.	DESCRIPTION	DATE
4	ISSUED FOR SPA	2024/12/20
3	ISSUED FOR 50% PROGRESS SET	2024/11/08
2	ISSUED FOR 50% DD	2024/10/18
1	ISSUED FOR 35% DD	2024/10/04

REVISIONS/ ISSUES
 CONTRACTOR SHALL CHECK AND VERIFY ALL DIMENSIONS AND REPORT ANY OMISSIONS OR DISCREPANCIES TO THE ARCHITECT BEFORE PROCEEDING WITH THE WORK. DO NOT SCALE THE DRAWINGS



SEAL THIS DOCUMENT IS RELEASED FOR THE PURPOSE OF PRELIMINARY SUBMITTAL

IT IS NOT TO BE USED FOR CONSTRUCTION PURPOSES

DRAWN CM / JA
 DATE 05/31/24
 CHECKED JC

**LANSDOWNE 2.0
 EVENT CENTRE,
 NORTH SIDE STANDS
 AND PUBLIC REALM
 ENHANCEMENTS**
 945 & 1015 BANK STREET

DWG. TITLE **LANDSCAPE PLAN
 GROUND FLOOR**

SCALE 1 : 250
 PROJ. NO. CSW #1766-12
 DWG. NO. NS-L1.0

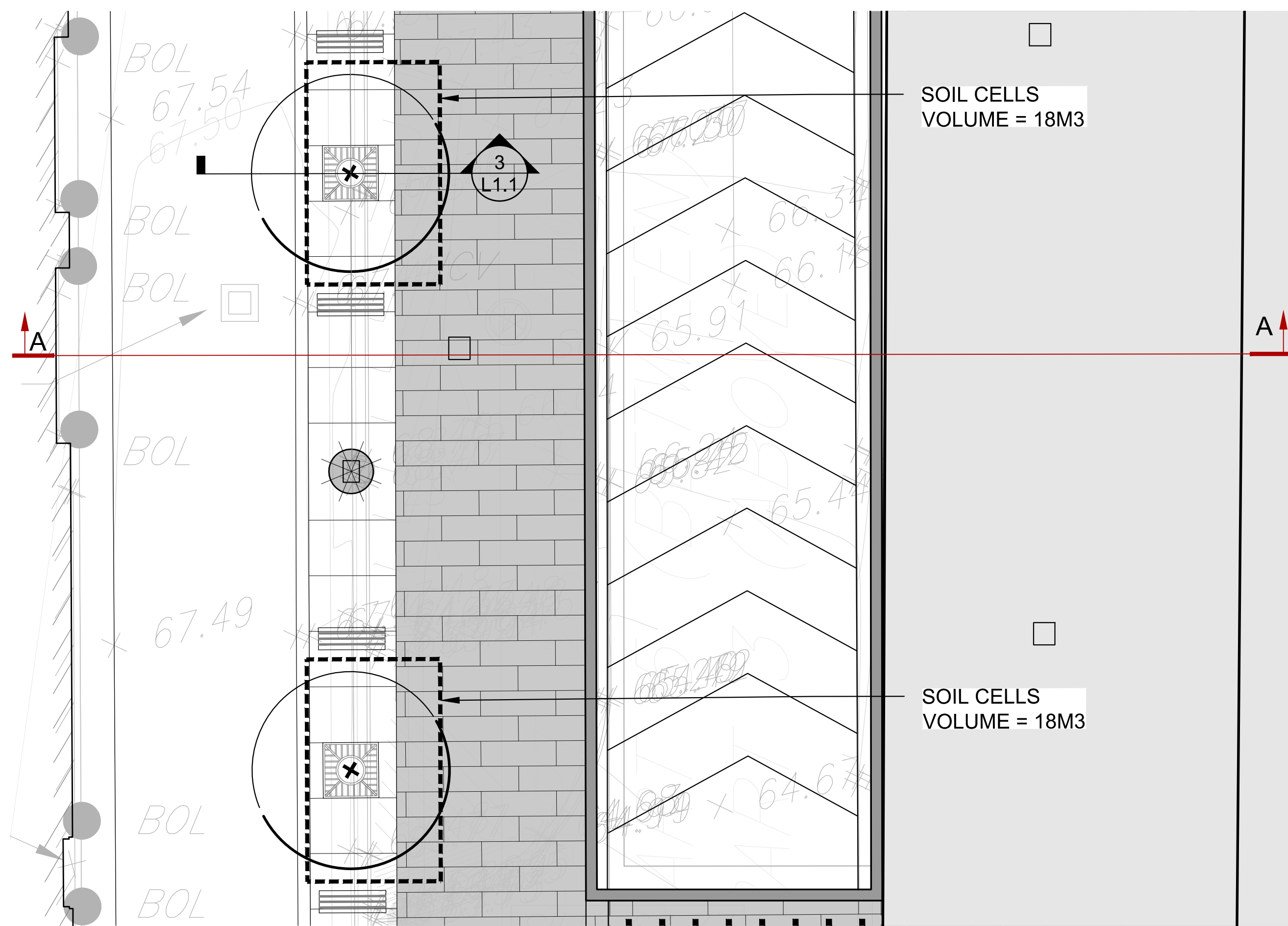
DATE PLOTTED: 01 January, 2000
 © Copyright of BBB Architects Toronto Inc. 2024.
 Not to be reproduced or distributed without written authorization of the copyright owner.

- LEGEND:**
- PEDESTRIAN UNIT PAVING
 - HEAVY DUTY UNIT PAVING
 - RAISED PLANTER WALLS
 - LANDSCAPE CURB
 - TRENCH DRAIN
 - TWSI TYPE 2: ATTENTION
 - PRECAST CONCRETE STEPS WITH HAND-RAILS
 - LIGHT COLUMNS
 - BOLLARDS
 - PROPOSED SPOT ELEVATION
 - EXISTING SPOT ELEVATION
 - SHRUB / PERENNIAL PLANTING
 - TREE PLANTING
 - 40 YEARS TREE CANOPY COVER 15M DIA.

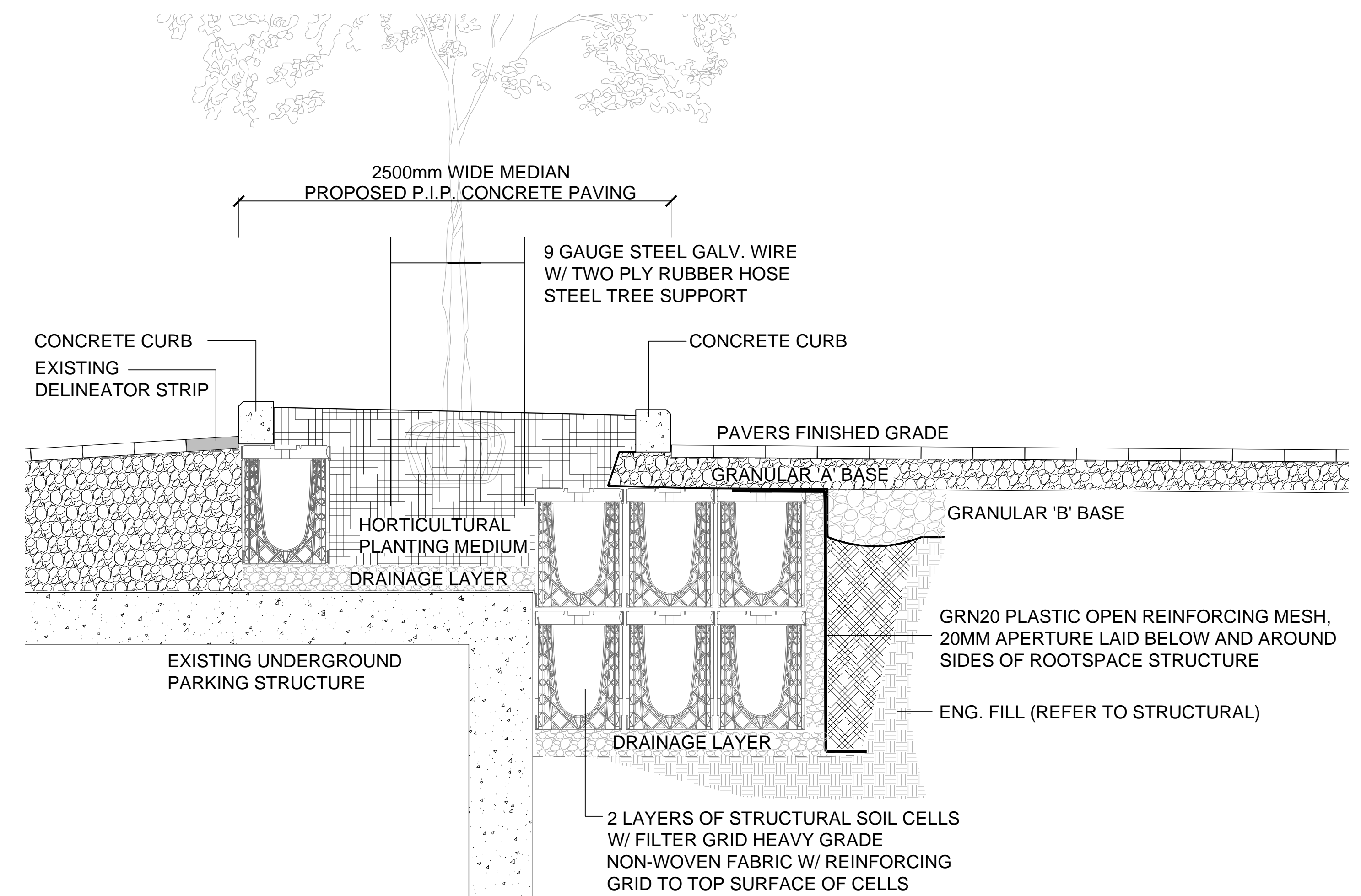
PLANT LIST

SYM.	BOTANICAL NAME	COMMON NAME	QTY.	SIZE	REMARKS
UP	ULMUS X 'PIONEER'	PIONEER AMERICAN ELM	2	70mm	NON NATIVE
CA	CLETHRA ALNIFOLIA 'CRYSTALLINA'	SUGARTINA SUMMERSWEET	--	1.2 m. HT	POT. 1000mm O.C.
DL	DIERVILLA LONICERA	BUSH HONEYSUCKLE	--	1.2 m. HT	POT. 1000mm O.C.
AV	ANEMONE VIRGINIANA	TALL THIMBLEWEED	--	0.5 m. HT	POT. 550mm O.C.
ET	ECHINACEA 'TOMATO SOUP'	CONEFLOWER	--	0.5 m. HT	POT. 550mm O.C.
AV	LONICERA X HECKROTTII 'GOLD FLAME'	HONEYSUCKLE	--	6.0 m. HT	POT. 550mm O.C.

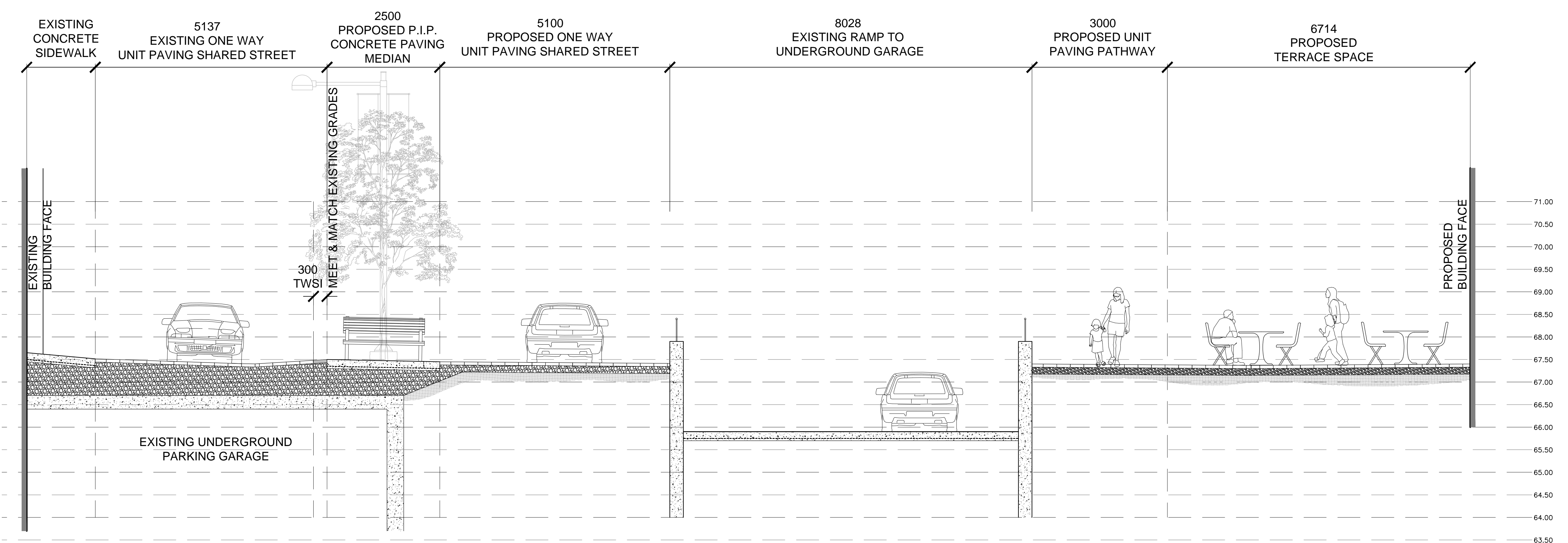




1 SECTION LINE
L1.1 SCALE - 1 : 100



3 SOIL CELL CROSS - SECTION
L1.1 SCALE - 1 : 20



2 CROSS - SECTION A-A
L1.1 SCALE - 1 : 50

Ottawa

OSEG
Ottawa Sports and Entertainment Group

BRISBROOK ARCHITECTS
14 DUNCAN ST 4TH FLOOR
TORONTO, ON M5H 3G8
(416) 591-8999

ENTUITIVE
275 SLATER STREET, SUITE 1001
OTTAWA, ON K1P 5H9
(613) 900-6219

TMP
200 KING ST. WEST, SUITE 310
TORONTO, ON M5H 3T4
(416) 499-8000

MULVEY & BANANI
90 SHEPPARD AVE EAST, SUITE 500
TORONTO, ON M2N 3A
(416) 751-2520

C.S.W.
319 MCRAE AVENUE, SUITE 502
OTTAWA, ONTARIO K1Z 0B9
(613) 729-4536

NO.	DESCRIPTION	DATE
4	ISSUED FOR SPA	2024/12/20
3	ISSUED FOR 10% PROGRESS SET	2024/11/28
2	ISSUED FOR 50% DD	2024/10/18
1	ISSUED FOR 35% DD	2024/10/04

REVISIONS/ ISSUES

CONTRACTOR SHALL CHECK AND VERIFY ALL DIMENSIONS AND REPORT ANY OMISSIONS OR DISCREPANCIES TO THE ARCHITECT BEFORE PROCEEDING WITH THE WORK. DO NOT SCALE THE DRAWINGS

SEAL: THIS DOCUMENT IS RELEASED FOR THE PURPOSE OF PRELIMINARY SUBMITTAL

IT IS NOT TO BE USED FOR CONSTRUCTION PURPOSES

DRAWN: CM / JA
DATE: 05/31/24
CHECKED: JC

LANSLOWNE 2.0
EVENT CENTRE,
NORTH SIDE STANDS
AND PUBLIC REALM
ENHANCEMENTS

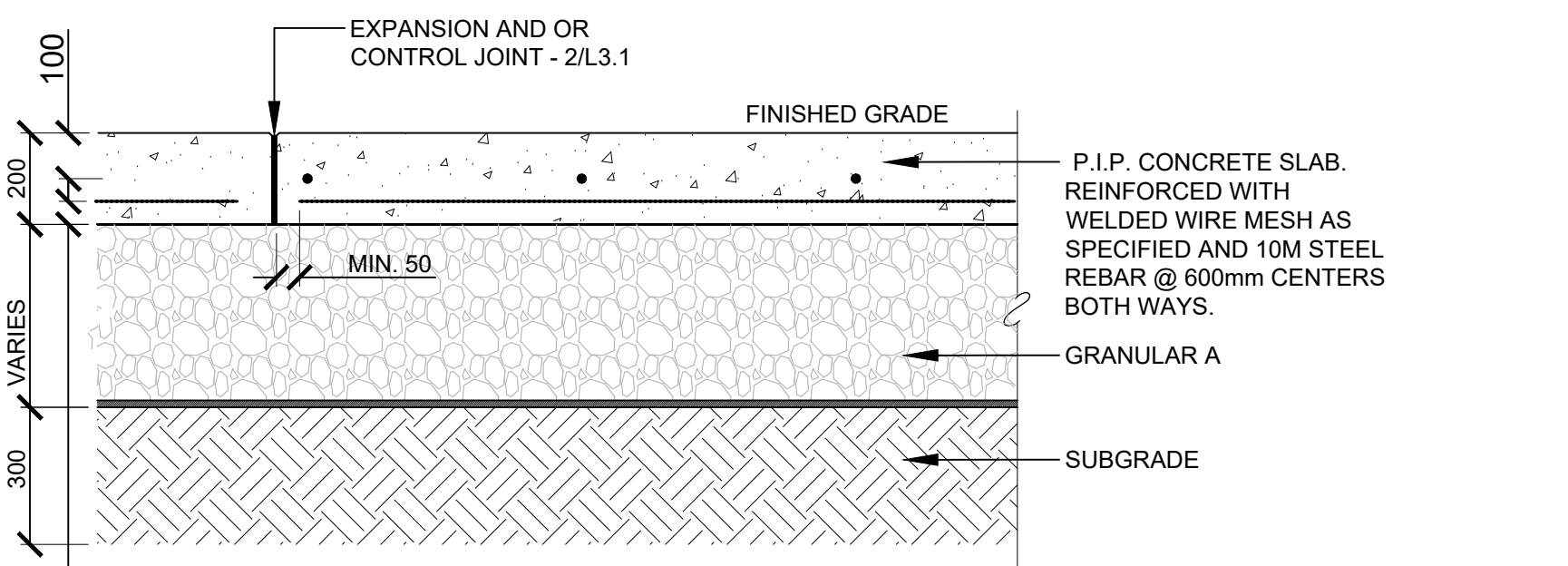
945 & 1015 BANK STREET

DWG. TITLE: **LANDSCAPE CROSS - SECTION**

SCALE: AS SHOWN DWG. NO.: NS-L1.1
PROJ. NO.: CSW #1766-12

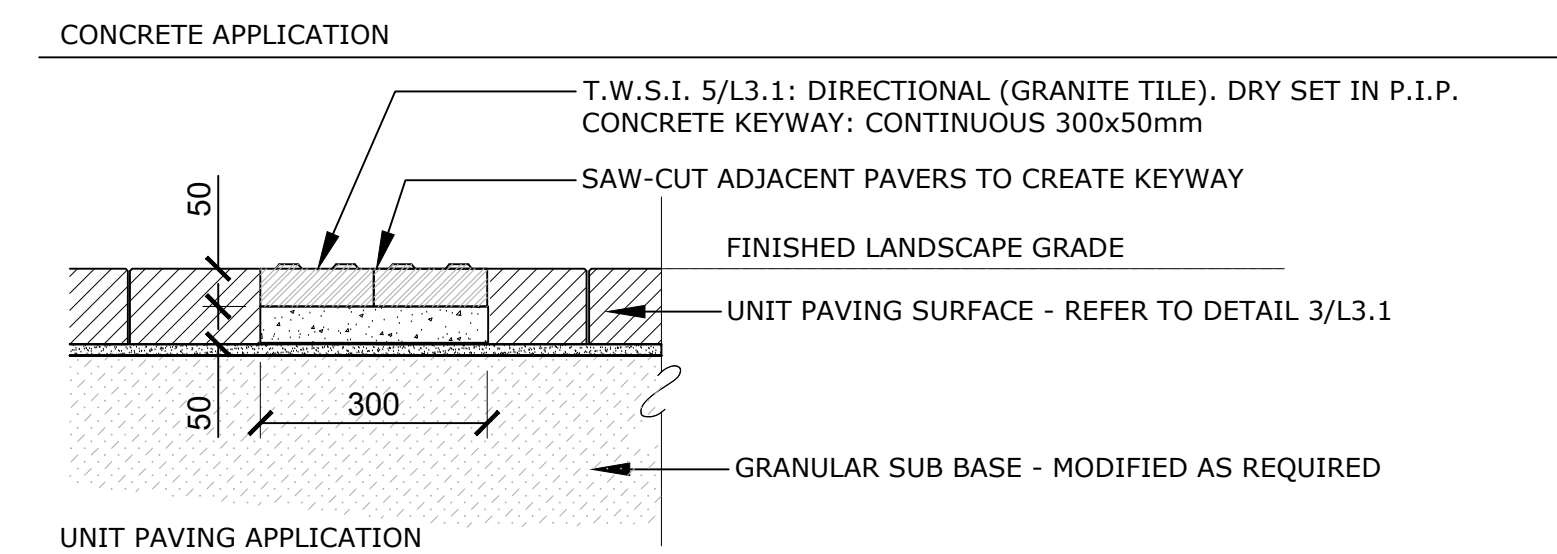
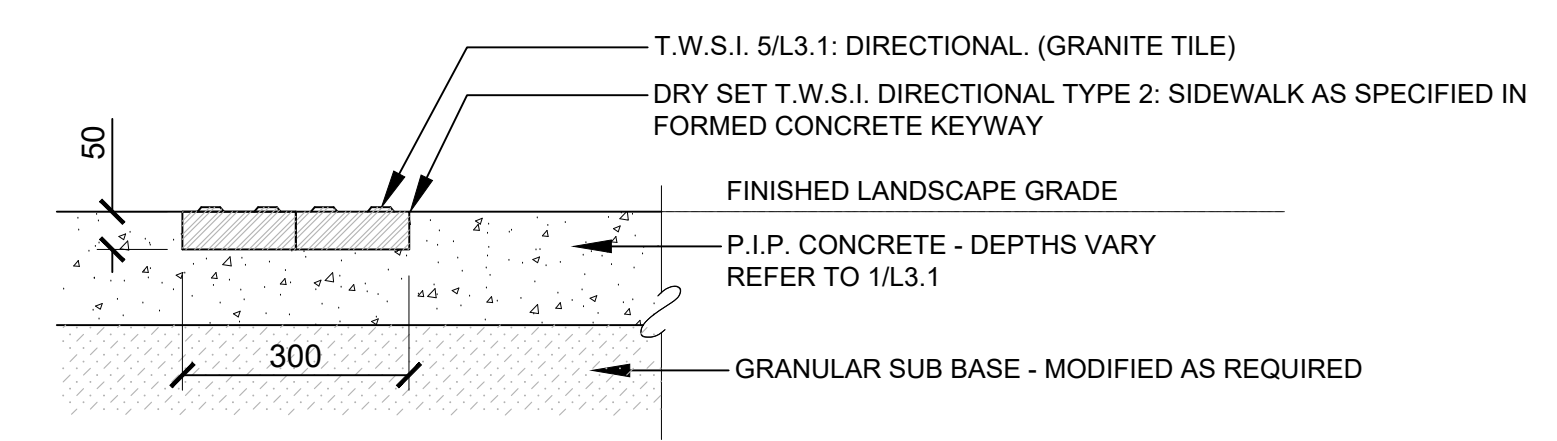
© Copyright of BBB Architects Toronto Inc. 2024.
Not to be reproduced or distributed without written authorization of the copyright owner.
DATE PLOTTED: 01 January, 2000

- NOTES:
- FINISHES AS SPECIFIED: REFER TO PATTERNING PLAN.
 - REFER TO DETAIL 2/L3.1 FOR JOINTING INFORMATION
 - WELDED WIRE MESH - 50mm FROM BOTTOM OF PROFILE
 - REINFORCING BARS - CENTRED IN PROFILE.

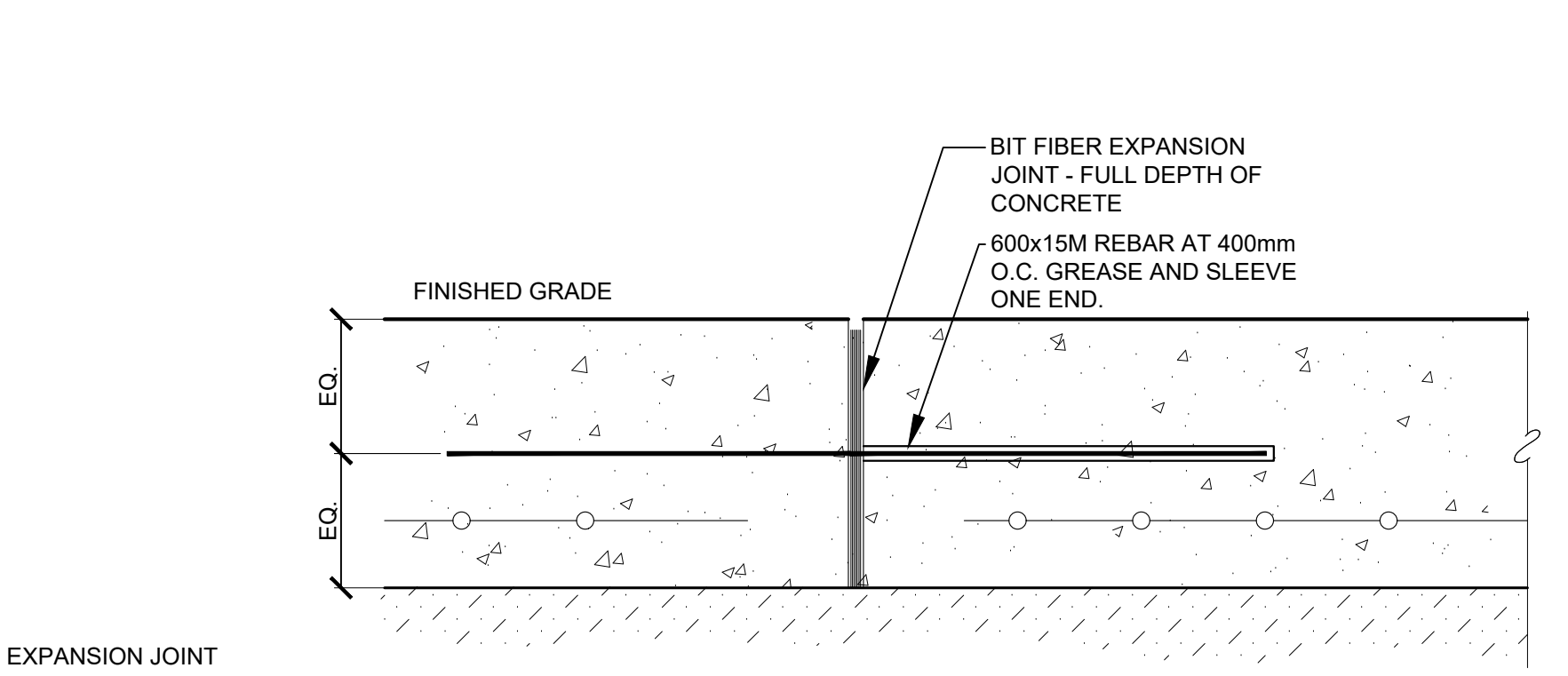
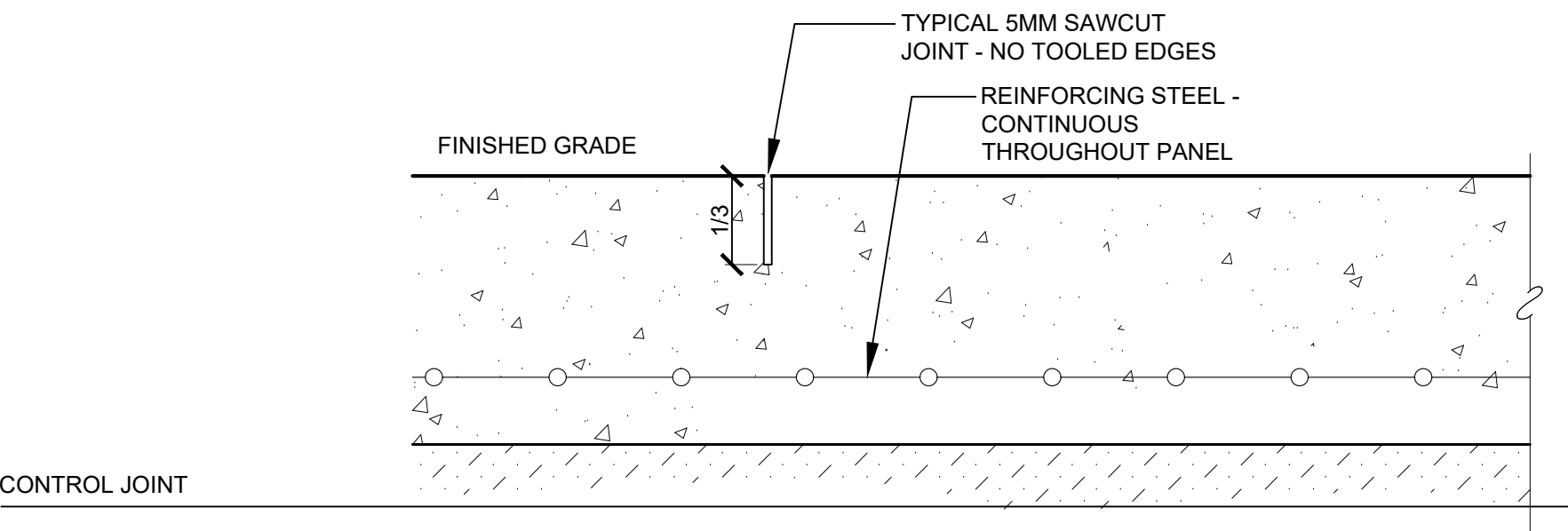


1 CONCRETE SURFACE - REINFORCED
3.1 SCALE - 1:15

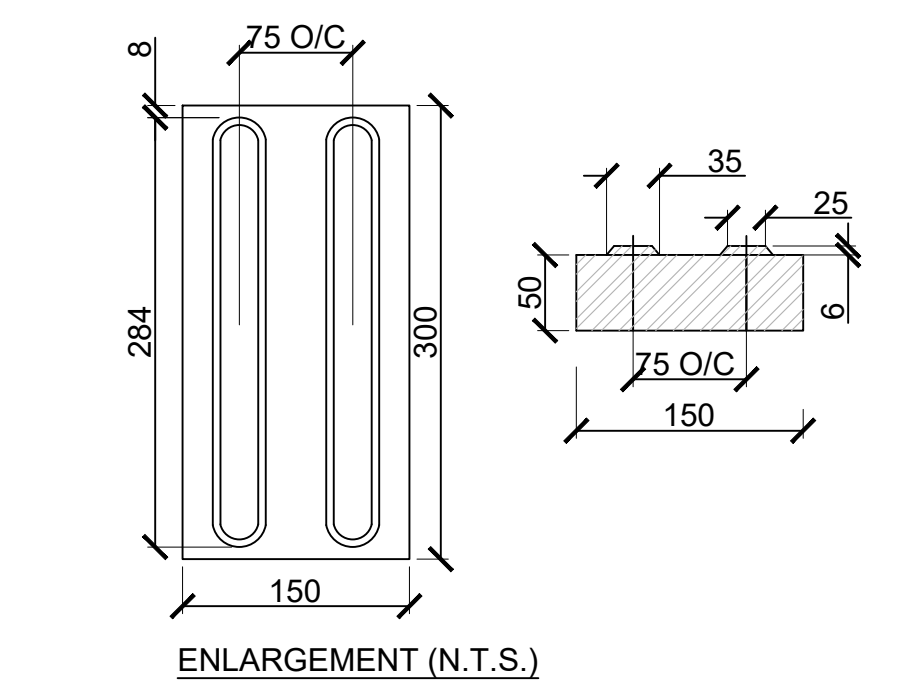
- NOTES:
- INSTALL T.W.S.I. TILE FLUSH WITH FINISHED CONCRETE SURFACE AS PER MANUFACTURER'S INSTRUCTIONS.
 - REFER TO PATTERNING ENLARGEMENT DRAWINGS FOR PLACEMENT AND SPACING - L1.0
 - INSTALL TILES IN CONTINUOUS STRAIGHT AND TRUE LINE. JOINTING BETWEEN TILES TO BE PERFORMED AS PER MANUFACTURER'S RECOMMENDATIONS.



4 TWSI TYPE 1: DIRECTIONAL - SIDEWALK
3.1 SCALE - 1:10

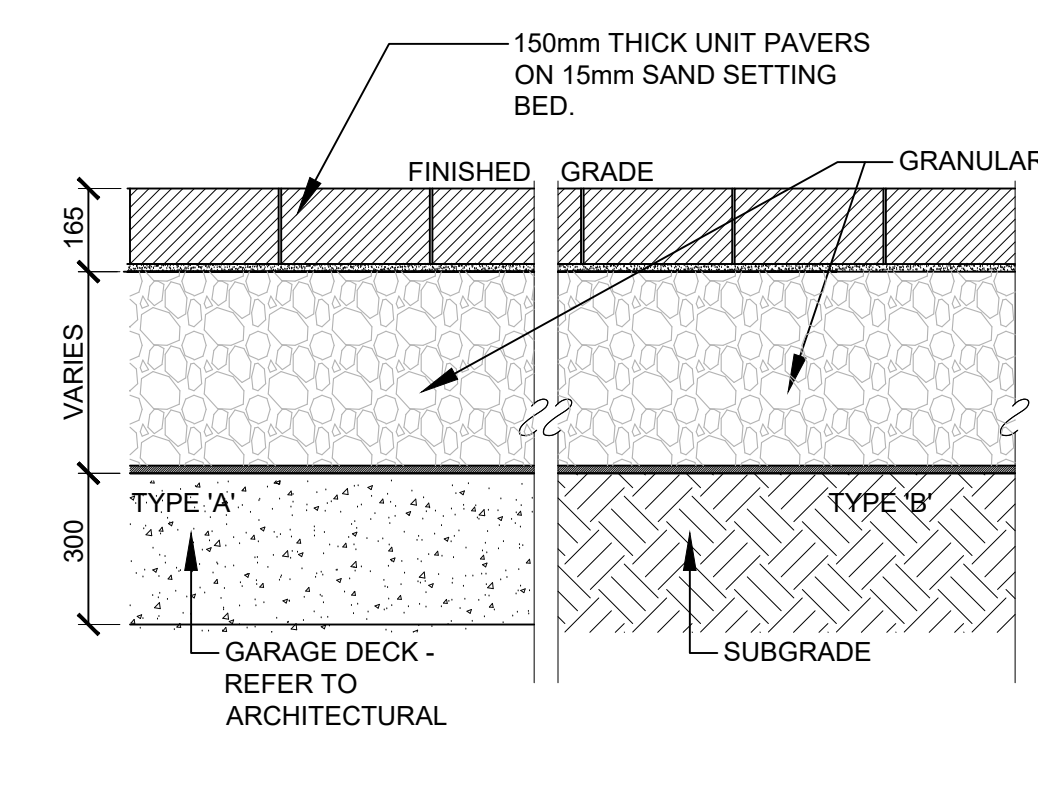


2 TYPICAL CONCRETE JOINTS - 150mm
3.1 SCALE - 1:5

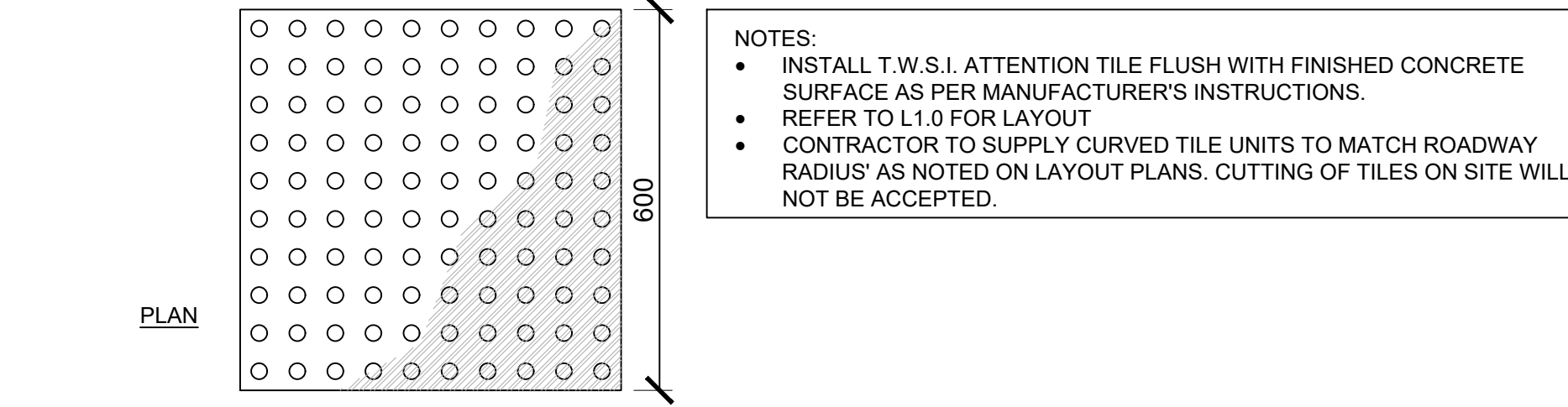
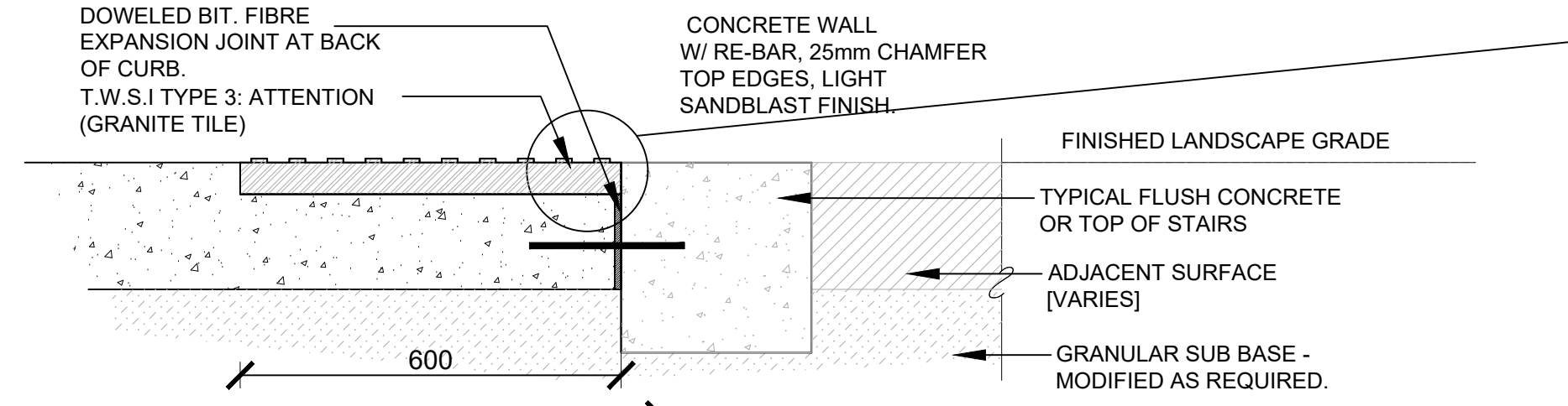


5 TWSI GRANITE TILE - ENLARGEMENT
3.1 SCALE - N.T.S.

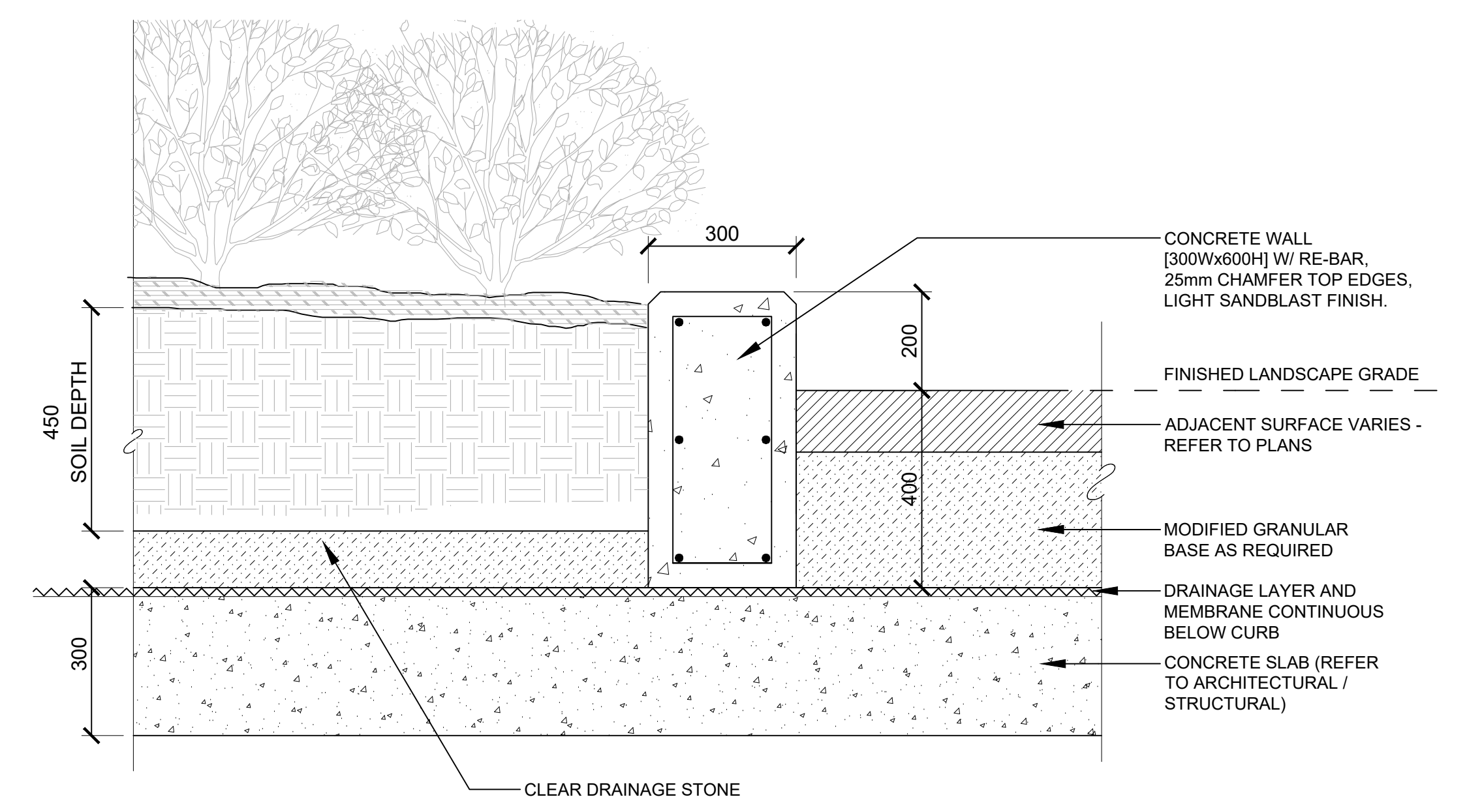
- NOTES:
- TYPICAL PROFILE APPLIES TO ALL UNIT PAVING TYPES.
 - PATTERNS AND LAYOUT VARY BY PAVER TYPE - REFER TO LAYOUT/PATTERNING PLANS.



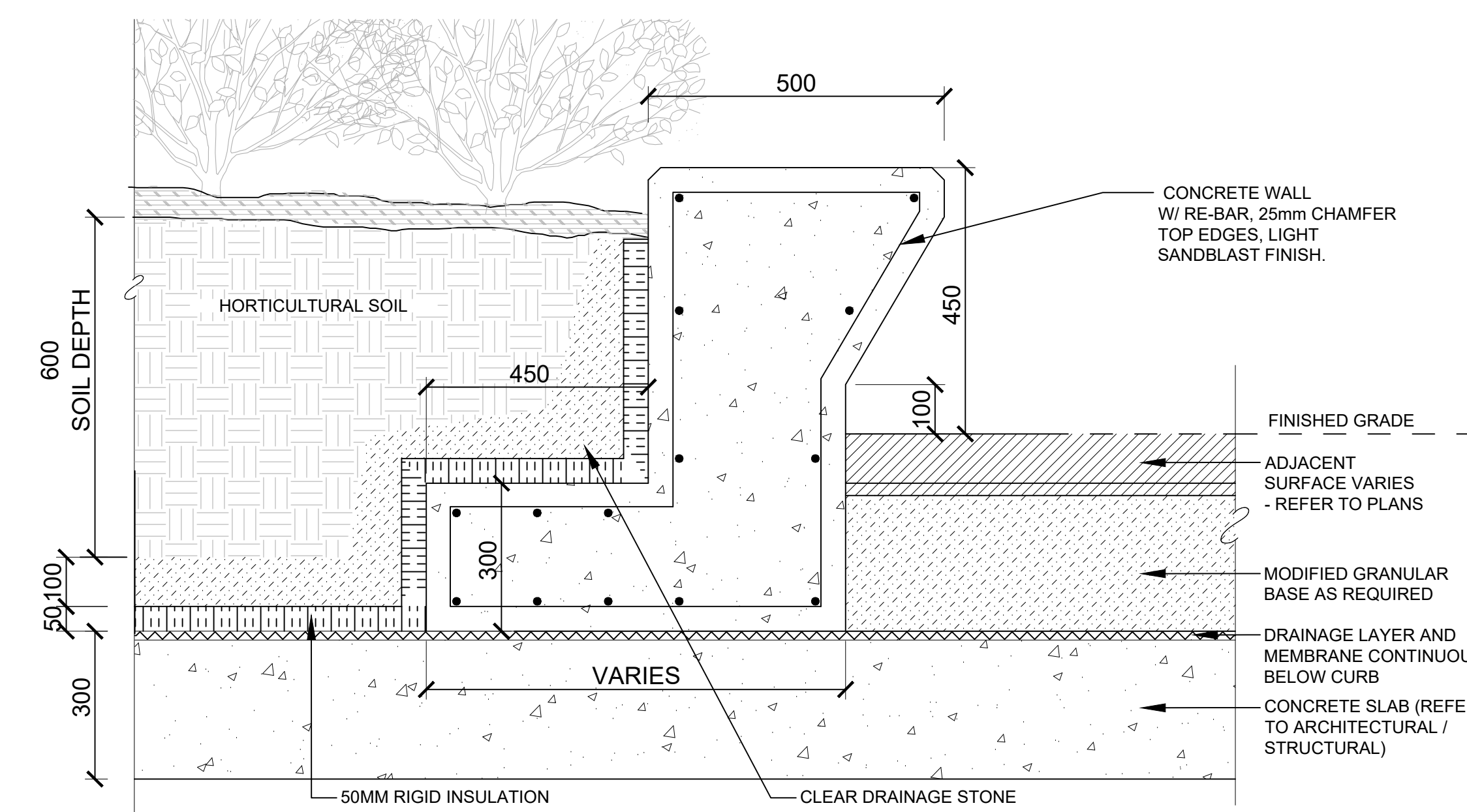
3 UNIT PAVING - TYPICAL PROFILE
3.1 SCALE - 1:15



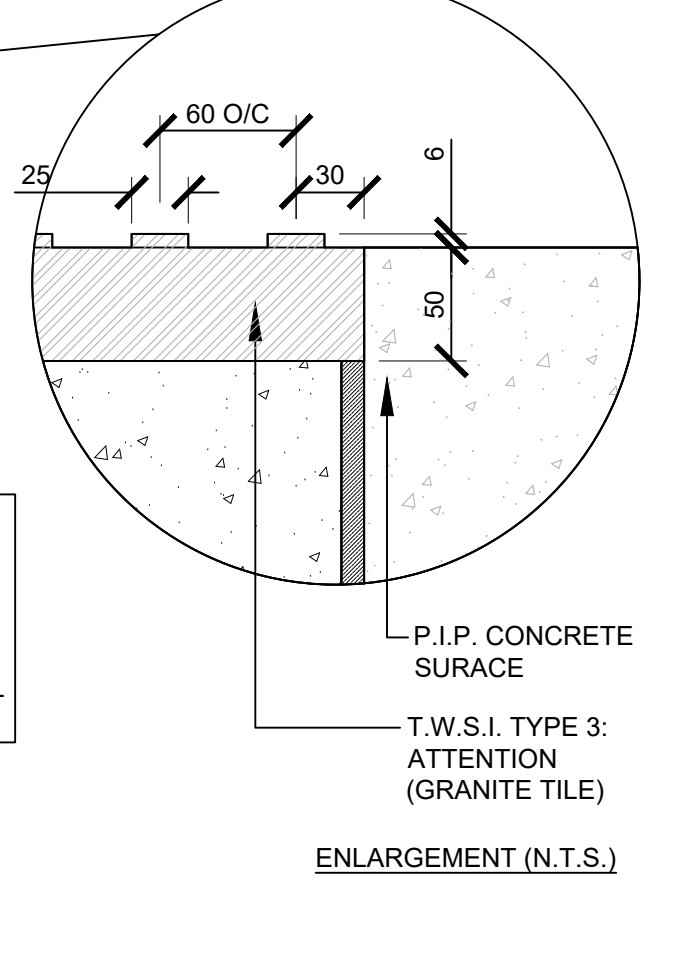
6 TWSI TYPE 2: ATTENTION
3.1 SCALE - 1:10



7 PLANTER CURB - FUN ZONE
3.1 SCALE - 1:10

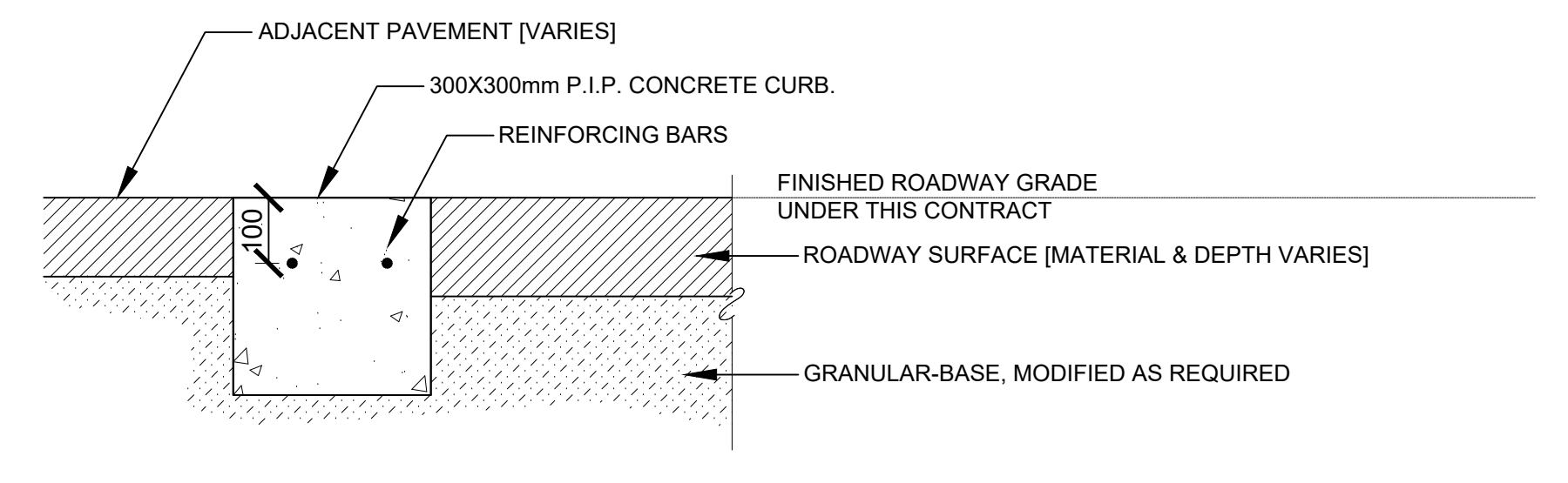


8 CONCRETE SEATING WALL
3.1 SCALE - 1:10



9 ROAD CURB- FLUSH
3.1 SCALE - 1:10

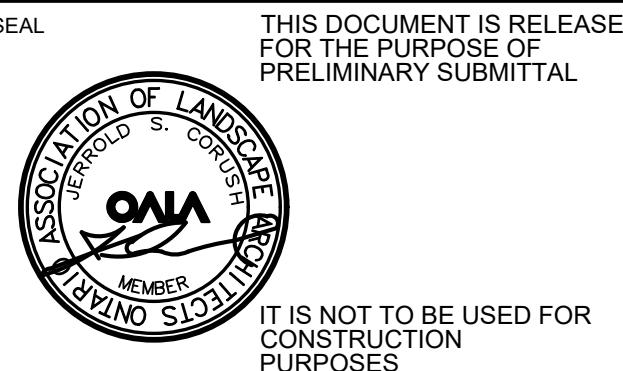
- NOTES:
- PROVIDE DOWELED BIT, FIBRE EXPANSION JOINT BETWEEN CURB AND ALL ADJACENT CONCRETE SURFACES.
 - SAW CUT CONTROL JOINTS FULL WIDTH OF CURB AT EVERY 3m O.C.
 - TOP OF CURB TO BE FLUSH WITH ADJACENT PAVEMENTS BOTH SIDES.
 - REINFORCE CURB WITH CONTINUOUS EPOXY COATED 10M STEEL BARS



NO.	DESCRIPTION	DATE
4	ISSUED FOR SPA	2024/12/20
3	ISSUED FOR 50% PROGRESS SET	2024/11/08
2	ISSUED FOR 50% DD	2024/10/18
1	ISSUED FOR 35% DD	2024/10/04

REVISIONS/ ISSUES

CONTRACTOR SHALL CHECK AND VERIFY ALL DIMENSIONS AND REPORT ANY OMISSIONS OR DISCREPANCIES TO THE ARCHITECT BEFORE PROCEEDING WITH THE WORK. DO NOT SCALE THE DRAWINGS



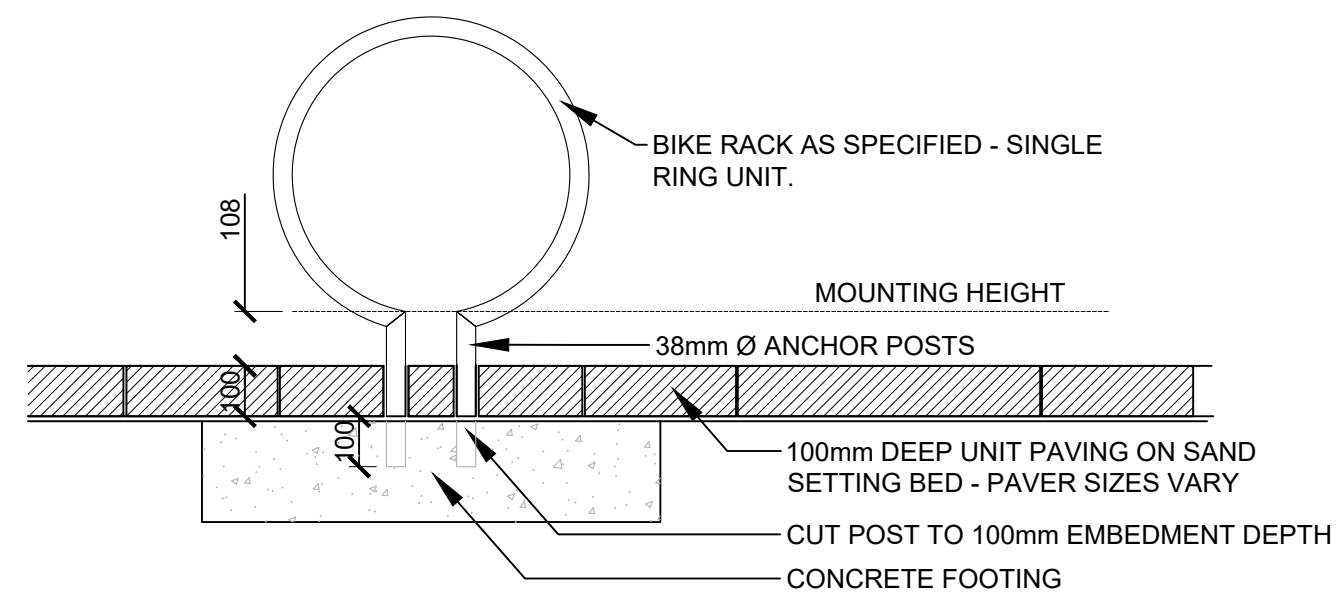
IT IS NOT TO BE USED FOR CONSTRUCTION PURPOSES

DRAWN CM / JA
DATE 05/31/24
CHECKED JC

LANSDOWNE 2.0
EVENT CENTRE,
NORTH SIDE STANDS
AND PUBLIC REALM
ENHANCEMENTS
945 & 1015 BANK STREET

LANDSCAPE DETAILS
PROPOSED DEVELOPMENT

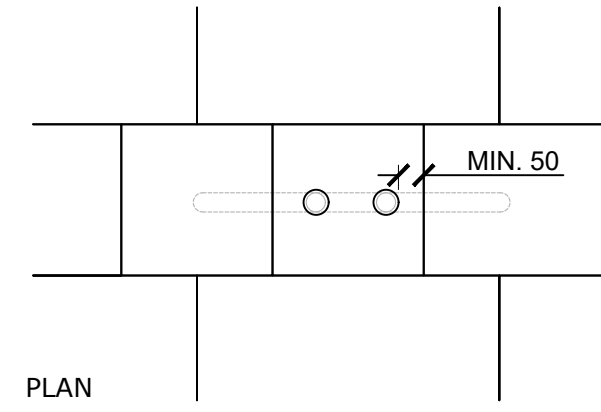
SCALE AS SOWN
PROJ. NO. CSW #1766-12
DWG. NO. NS-L3.1



- NOTES:
- CORE AND GROUT ANCHOR POSTS INTO 50mm DIA HOLE.
 - INSTALL BIKE RACKS PLUMB.
 - BOND IN PLACE WITH NON-SHRINK GROUT.
 - TYPICAL EMBEDMENT DEPTH TO BE 150mm. IN UNIT PAVING - CORE FULL DEPTH OF PAVEMENT AND CUT ANCHOR POSTS TO SEAT BIKE RACK ASSEMBLY AT MOUNTING HEIGHT AS SHOWN.
 - IN UNIT PAVING CONDITION ENSURE MIN. 50mm COVER FROM CORED HOLE TO EDGE OF PAVEMENT. WHERE PAVERS ARE LESS THAN 300x300mm IN SURFACE ARE - EPOXY ADJACENT PAVERS TOGETHER TO FORM SUFFICIENT PAVEMENT FOUNDATION.

1 BIKE RING MOUNTING - UNIT PAVING CONDITION

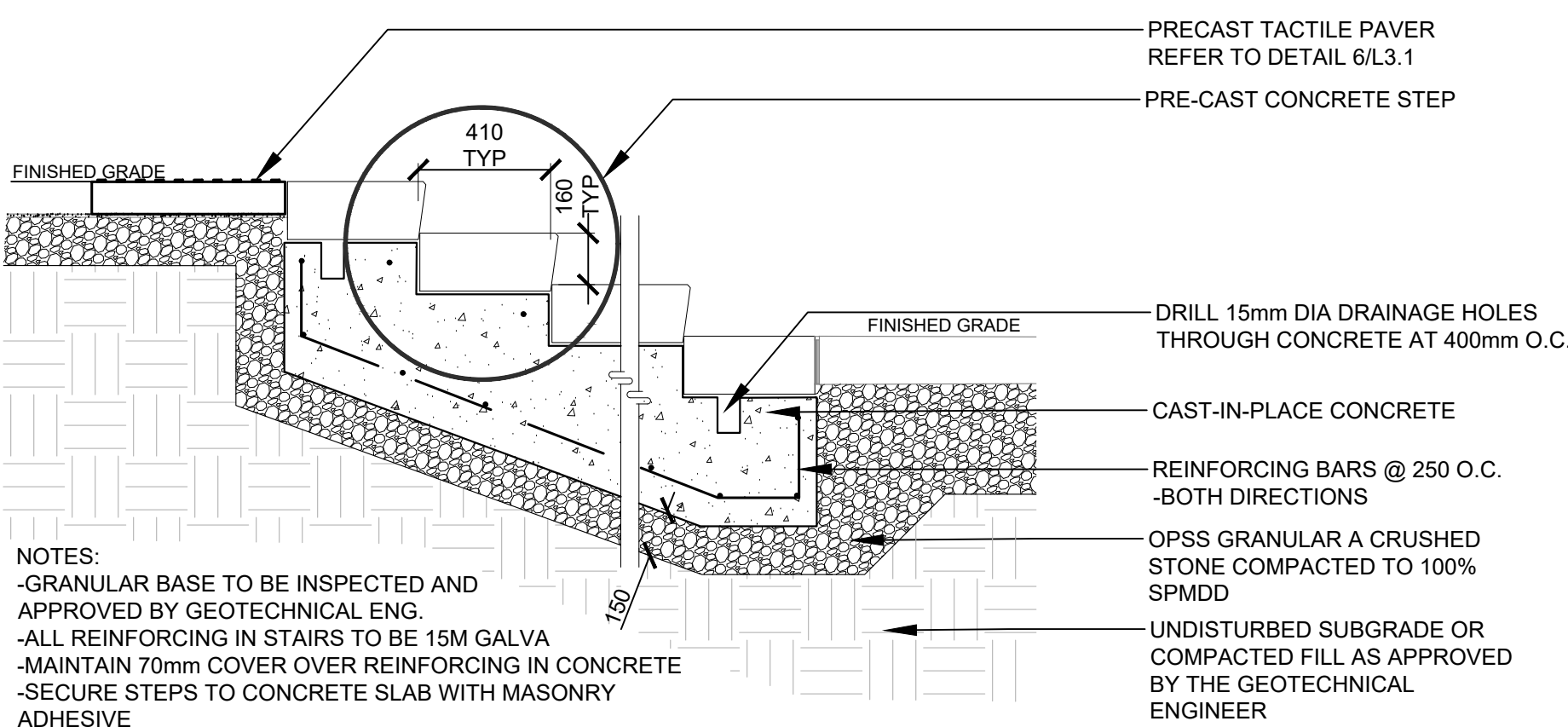
3.2 SCALE - 1:15



- NOTES:
- HANDRAIL TO BE MARINE GRADE, SAE 316, STAINLESS STEEL
 - ALL WELDS TO BE FULL LENGTH AND BOTH SIDES OF ALL METAL SURFACES
 - GRIND SMOOTH ALL JOINTS AND EDGES
 - CONTRACTOR TO SUBMIT SHOP DRAWINGS FOR REVIEW PRIOR TO FABRICATION

2 HANDRAIL

3.2 SCALE - 1:10

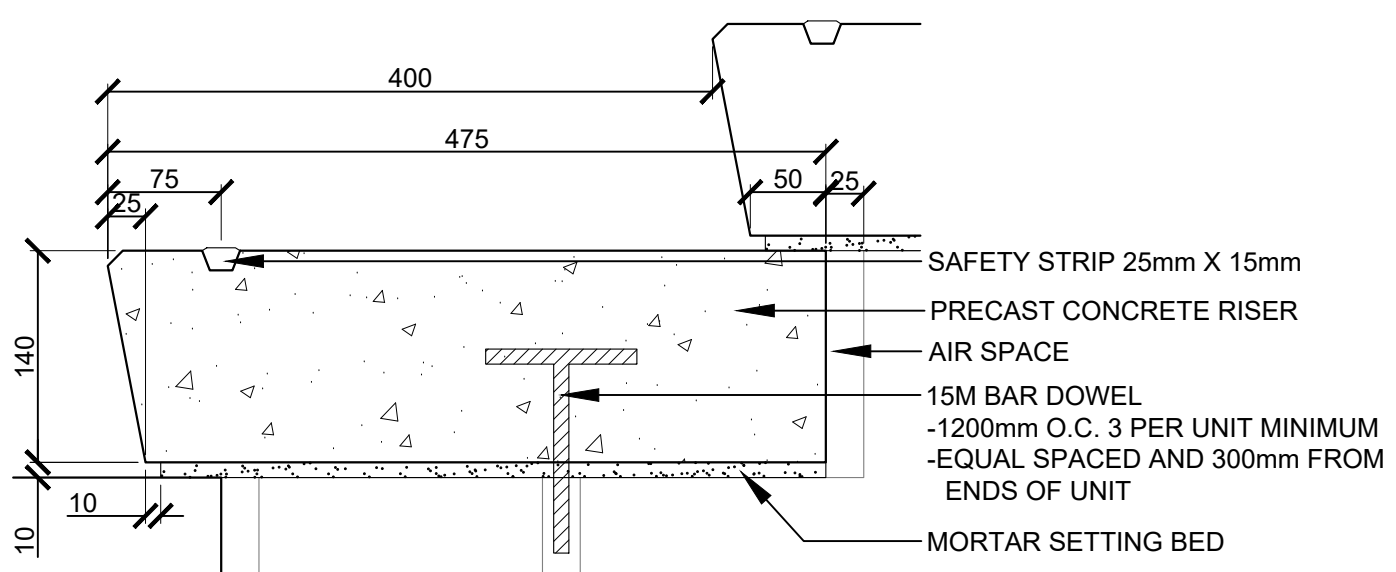


- NOTES:
- GRANULAR BASE TO BE INSPECTED AND APPROVED BY GEOTECHNICAL ENG.
 - ALL REINFORCING IN STAIRS TO BE 15M GALVA
 - MAINTAIN 70mm COVER OVER REINFORCING IN CONCRETE
 - SECURE STEPS TO CONCRETE SLAB WITH MASONRY ADHESIVE
 - REINFORCING BARS @ 250 O.C. -BOTH DIRECTIONS
 - OPSS GRANULAR A CRUSHED STONE COMPACTED TO 100% SPMD
 - UNDISTURBED SUBGRADE OR COMPACTED FILL AS APPROVED BY THE GEOTECHNICAL ENGINEER

3 PRECAST CONCRETE STEPS ON C.I.P. FOOTING

3.2 SCALE - 1:20

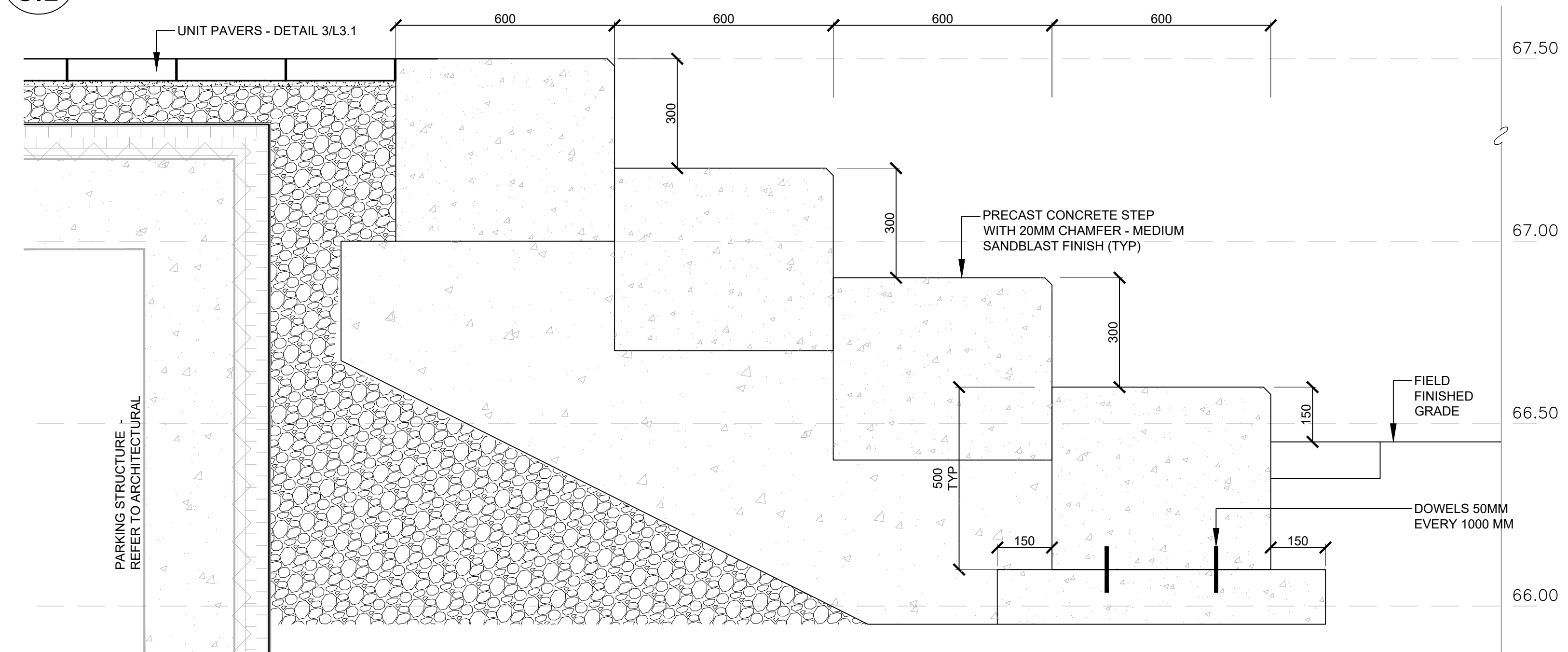
PRECAST CONCRETE STEP SCALE - 1:5



- NOTES:
- ALL RISERS AS PART OF SET OF STAIRS SHALL HAVE THE SAME HEIGHT AND WIDTH OF TREAD
 - SAFETY STRIP
 - CARBORUNDUM / EPOXY MIX
 - RAISED TEXTURE SET INTO EACH STAIR TREAD
 - TERMINATE SAFETY STRIP 50mm FROM EDGE OF STAIRS
 - SLOPE TREADS TO DRAIN AT 1% (ENSURE POSITIVE DRAINAGE ON ALL TREADS)
 - PRECAST UNITS TO HAVE MEDIUM SANDBLAST FINISH
 - CONTRACTOR TO SUBMIT SHOP DRAWINGS FOR REVIEW PRIOR TO FABRICATION

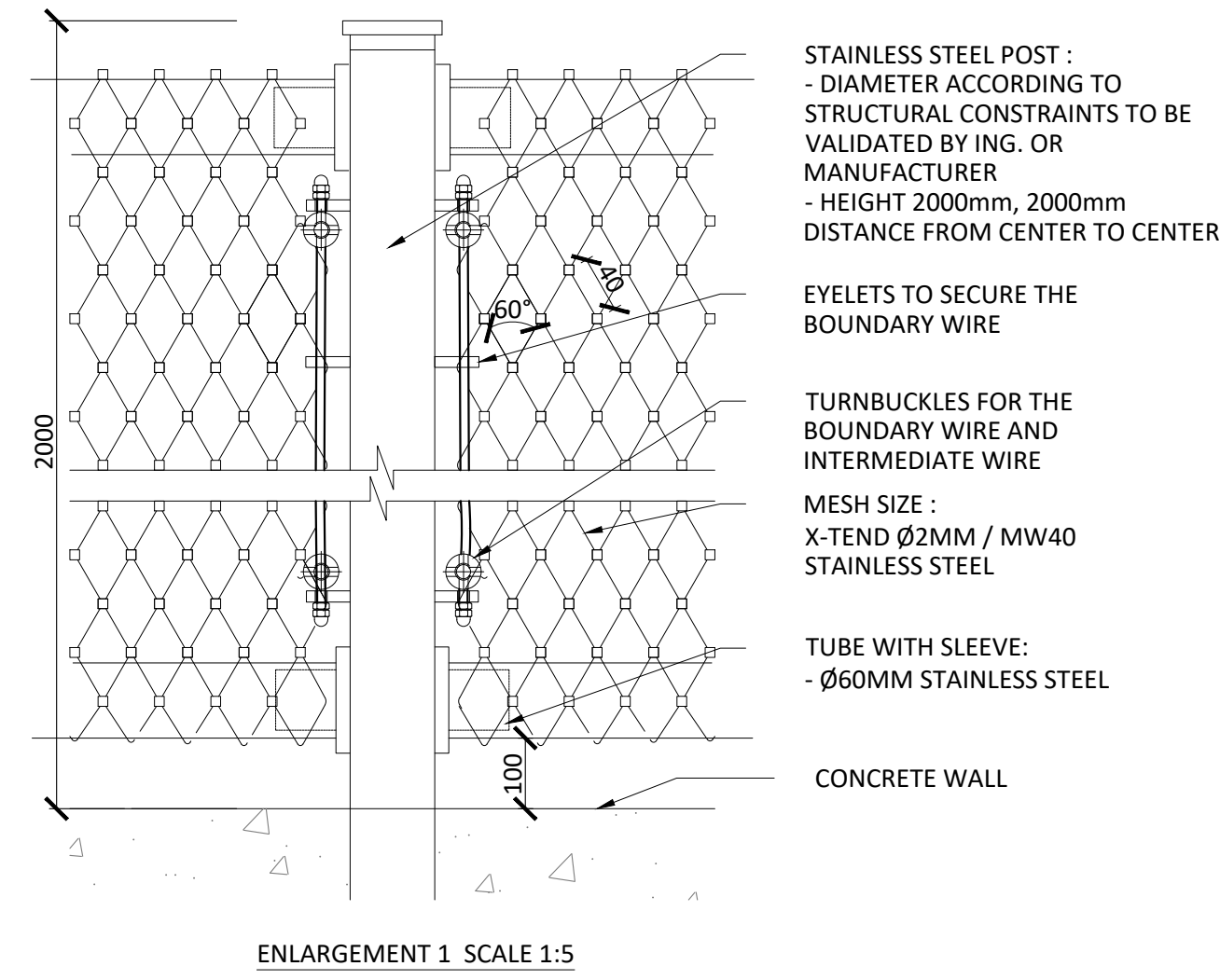
4 PROTECTIVE FENCE

3.2 SCALE - 1:50



5 PRECAST CONCRETE SITTING STEPS

3.2 SCALE - 1:10



ENLARGEMENT 1 SCALE 1:5

- NOTES:
- TOP OF ROOT BALL TO RETAIN SAME ELEVATION AS GROWING CONDITIONS

6 SHRUB / PERENNIAL PLANTING

3.2 SCALE - N.T.S.

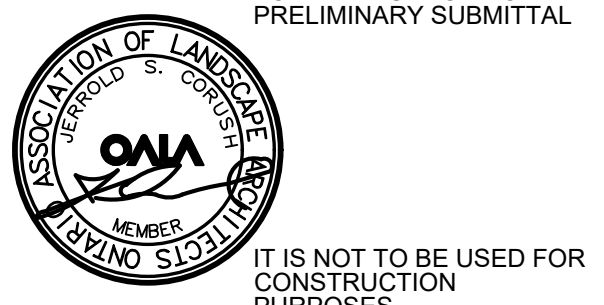
NO.	DESCRIPTION	DATE
4	ISSUED FOR SPA	2024/12/20
3	ISSUED FOR 50% PROGRESS SET	2024/11/08
2	ISSUED FOR 50% DD	2024/10/18
1	ISSUED FOR 35% DD	2024/10/04

REVISIONS/ ISSUES

CONTRACTOR SHALL CHECK AND VERIFY ALL DIMENSIONS AND REPORT ANY OMISSIONS OR DISCREPANCIES TO THE ARCHITECT BEFORE PROCEEDING WITH THE WORK. DO NOT SCALE THE DRAWINGS



SEAL THIS DOCUMENT IS RELEASED FOR THE PURPOSE OF PRELIMINARY SUBMITTAL



IT IS NOT TO BE USED FOR CONSTRUCTION PURPOSES

DRAWN	CM / JA
DATE	05/31/24
CHECKED	JC

LANSDOWNE 2.0
EVENT CENTRE,
NORTH SIDE STANDS
AND PUBLIC REALM
ENHANCEMENTS

945 & 1015 BANK STREET

LANDSCAPE DETAILS
PROPOSED DEVELOPMENT

SCALE	AS SOWN	DWG. NO.	NS-L3.2
PROJ. NO.	CSW #1766-12		