

- LEGEND**
- PROPOSED LARGE DECIDUOUS TREE
 - PROPOSED SMALL DECIDUOUS TREE
 - PROPOSED LARGE CONIFEROUS TREE
 - BENCH
 - BOLLARD
 - TOPSOIL & SOD
 - SHRUB/PERENNIAL PLANTING
 - PEDESTRIAN UNIT PAVING
 - ASPHALT PAVING
 - CONCRETE PAVING
 - CONCRETE PAVING (INTERIM CONDITION)

No.	Revision	Date
8	RE-ISSUED FOR SPA SUBMISSION	27 MAR 2024
7	ISSUED FOR COORDINATION	07 MAR 2024
6	ISSUED FOR COORDINATION	07 FEB 2024
5	RE-ISSUED FOR SPA SUBMISSION	23 JAN 2024
4	RE-ISSUED FOR SPA SUBMISSION	02 OCT 2023
3	ISSUED FOR COORDINATION	08 SEPT 2023
2	ISSUED FOR SPA SUBMISSION	13 JUNE 2023
1	ISSUED FOR COORDINATION	05 JUNE 2023

North:

Stamp:

CSW Landscape Architecture
Urban Design
Site Planning
Recreation and Park Planning
Project Management

319 McRae Avenue, Suite 502, Ottawa, Ontario, K1Z 0B9
Tel: (613) 729-4536

- All measurements in millimeters unless specified otherwise. Do not scale drawing. All drawings to be read in conjunction with written specifications.
- Copyright reserved. This drawing is the exclusive property of CSW Landscape Architects Ltd. and shall not be used without the consent thereof.
- This Drawing may not be used for construction until signed by the landscape architect. It is the responsibility of the contractor to:
 - check and verify all dimensions on site;
 - report all errors and/or omissions to the landscape architect;
 - comply with all pertinent codes and by-laws;
 - check and verify locations of all underground services with all local utilities prior to any digging.

Project:
**RIVERAIN DISTRICT
PHASE 3**

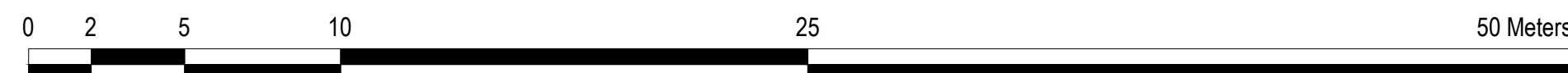
300 MONTGOMERY STREET
OTTAWA., ONTARIO

Drawing:
**LANDSCAPE PLAN
PHASE 3 & INTERIM MEASURES ON
FUTURE PHASES**

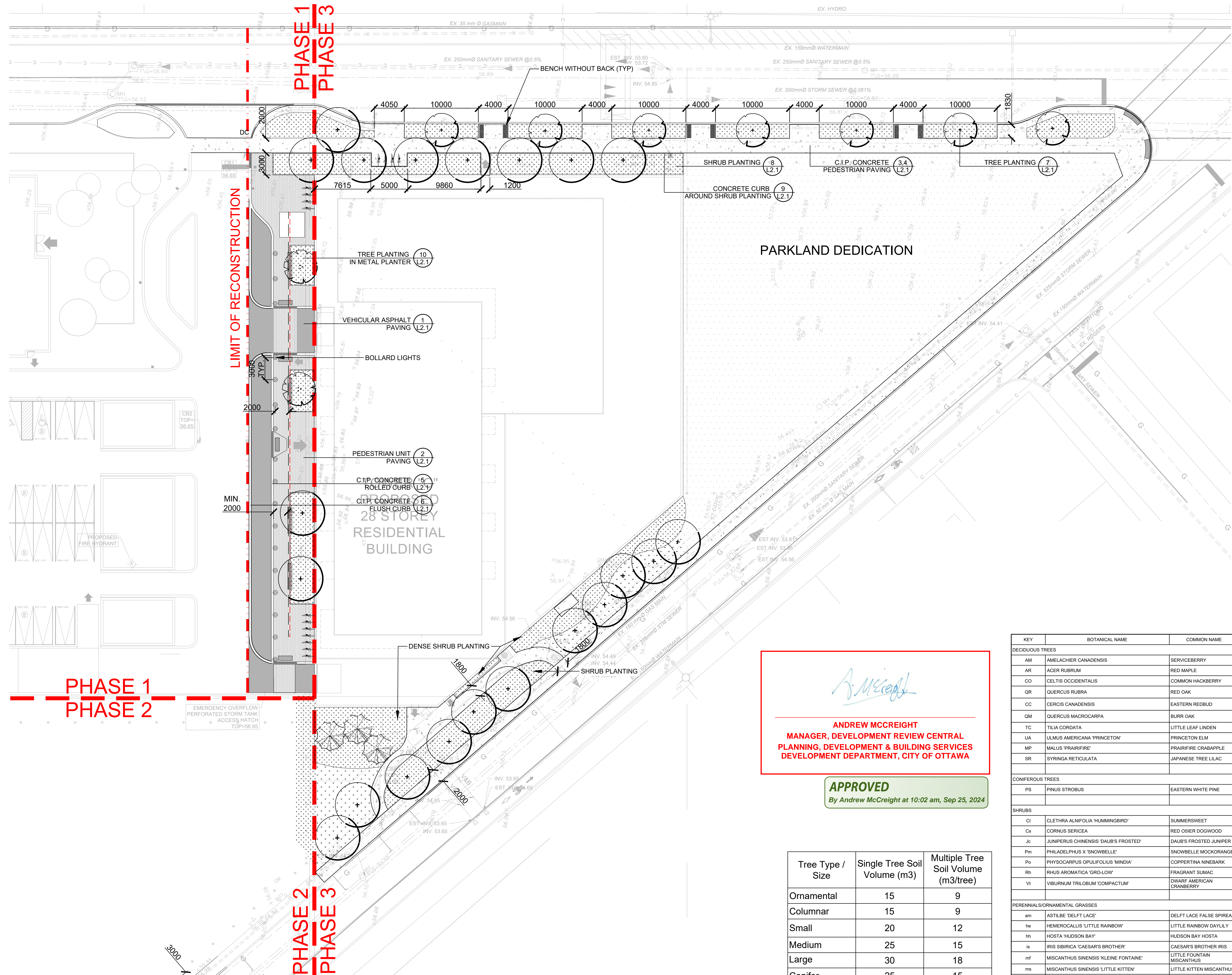
Scale: 1:200	Date: MAY 15, 2023
Design By: AB	Drawn By: AB
Project Number: 2052-02	Sheet Number: L 1.2

ANDREW MCCREIGHT
MANAGER, DEVELOPMENT REVIEW CENTRAL
PLANNING, DEVELOPMENT & BUILDING SERVICES
DEVELOPMENT DEPARTMENT, CITY OF OTTAWA

APPROVED
By Andrew McCreight at 10:02 am, Sep 25, 2024



XXXXXX



LEGEND

- PROPOSED LARGE DECIDUOUS TREE
- PROPOSED SMALL DECIDUOUS TREE
- PROPOSED LARGE CONIFEROUS TREE
- BENCH
- BOLLARD
- TOPSOIL & SOD
- SHRUB/PERENNIAL PLANTING
- WILDFLOWER/MEADOW SEED
- PEDESTRIAN UNIT PAVING
- ASPHALT PAVING
- CONCRETE PAVING

No.	Revision	Date
8	RE-ISSUED FOR SPA SUBMISSION	27 MAR 2024
7	ISSUED FOR COORDINATION	07 MAR 2024
6	ISSUED FOR COORDINATION	07 FEB 2024
5	RE-ISSUED FOR SPA SUBMISSION	23 JAN 2024
4	RE-ISSUED FOR SPA SUBMISSION	02 OCT 2023
3	ISSUED FOR COORDINATION	08 SEPT 2023
2	ISSUED FOR SPA SUBMISSION	13 JUNE 2023
1	ISSUED FOR COORDINATION	05 JUNE 2023

North:

Stamp:

CSW Landscape Architecture
 Urban Design
 Site Planning
 Recreation and Park Planning
 Project Management

319 McRae Avenue, Suite 502, Ottawa, Ontario, K1Z 0B9
 Tel: (613) 729-4536

- All measurements in millimeters unless specified otherwise. Do not scale drawing. All drawings to be read in conjunction with written specifications.
- Copyright reserved. This drawing is the exclusive property of CSW Landscape Architects Ltd. and shall not be used without the consent thereof.
- This Drawing may not be used for construction until signed by the landscape architect. It is the responsibility of the contractor to:
 - check and verify all dimensions on site;
 - report all errors and/or omissions to the landscape architect;
 - comply with all pertinent codes and by-laws;
 - check and verify locations of all underground services with all local utilities prior to any digging.

Project:
**RIVERAIN DISTRICT
 PHASE 3**

300 MONTGOMERY STREET
 OTTAWA, ONTARIO

Drawing:
LANDSCAPE PLAN

Scale: 1:200 Date: MAY 15, 2023

Design By: AB Drawn By: AB

Project Number: 2052-02 Sheet Number: L 1.3

Andrew McCreight

**ANDREW MCCREIGHT
 MANAGER, DEVELOPMENT REVIEW CENTRAL
 PLANNING, DEVELOPMENT & BUILDING SERVICES
 DEVELOPMENT DEPARTMENT, CITY OF OTTAWA**

APPROVED
 By Andrew McCreight at 10:02 am, Sep 25, 2024

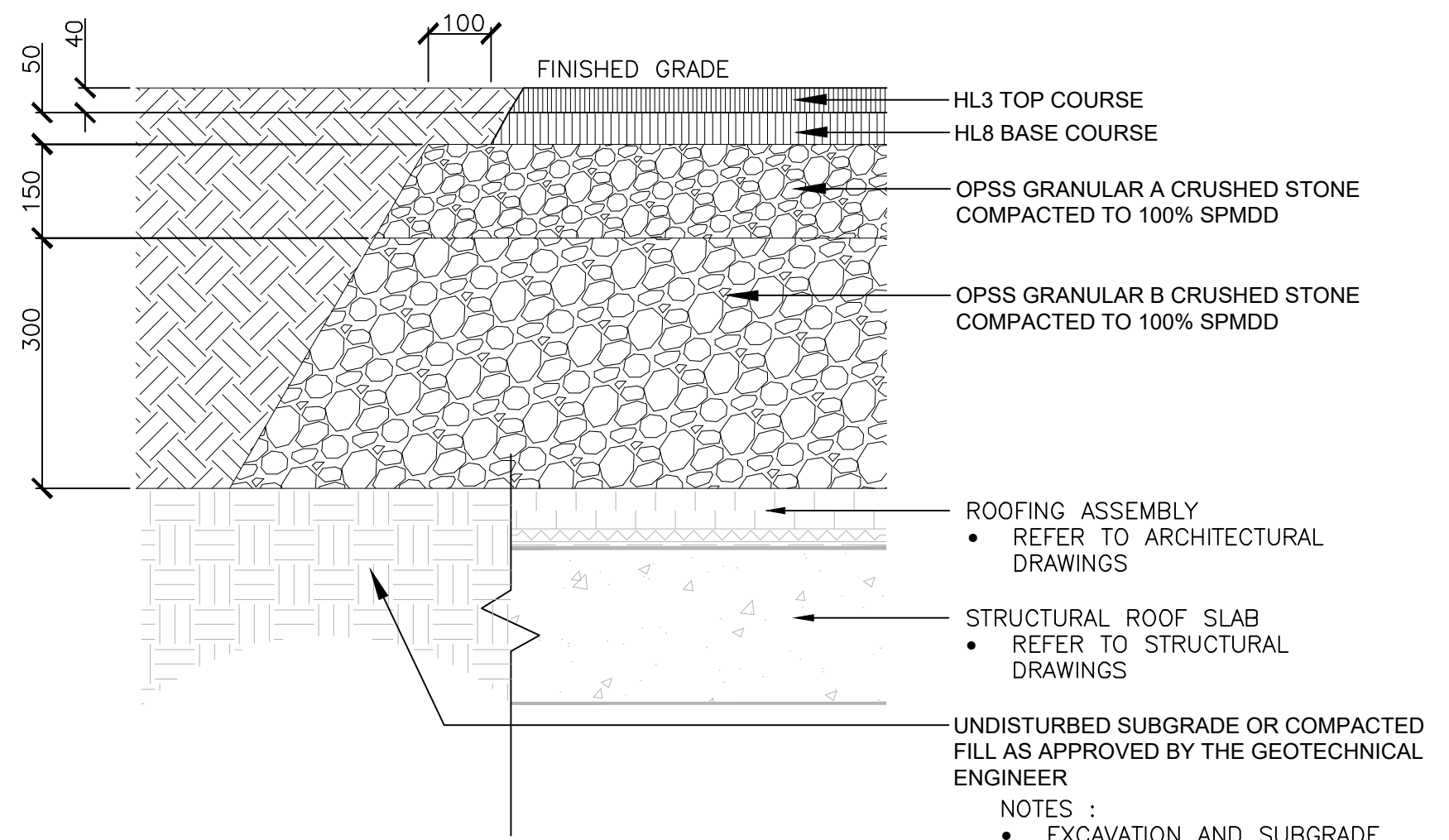
Tree Type / Size	Single Tree Soil Volume (m3)	Multiple Tree Soil Volume (m3/tree)
Ornamental	15	9
Columnar	15	9
Small	20	12
Medium	25	15
Large	30	18
Conifer	25	15

KEY	BOTANICAL NAME	COMMON NAME	QTY	SIZE	REMARKS
DECIDUOUS TREES					
AM	AMELACHER CANADENSIS	SERVICEBERRY	2	50mm CAL.	W.B
AR	ACER RUBRUM	RED MAPLE	4	50mm CAL.	B&B/W.B
CO	CELTIS OCCIDENTALIS	COMMON HACKBERRY	3	50mm CAL.	B&B/W.B
QR	QUERCUS RUBRA	RED OAK	5	50mm CAL.	B&B/W.B
CC	CERCIS CANADENSIS	EASTERN REDBUD	2	50mm CAL.	MULTI STEM B&B/W.B
QM	QUERCUS MACROCARPA	BURR OAK	2	50mm CAL.	B&B/W.B
TC	TILIA CORDATA	LITTLE LEAF LINDEN	3	50mm CAL.	B&B/W.B
UA	ULMUS AMERICANA 'PRINCETON'	PRINCETON ELM	4	50mm CAL.	B&B/W.B
MP	MALUS 'PRAIRIFIRE'	PRAIRIFIRE CRABAPPLE	3	50mm CAL.	W.B.
SR	SYRINGA RETICULATA	JAPANESE TREE LILAC	2	50mm CAL.	W.B.
CONIFEROUS TREES					
PS	PINUS STROBUS	EASTERN WHITE PINE	3	180mm	
SHRUBS					
CI	CLETHRA ALNIFOLIA 'HUMMINGBIRD'	SUMMERSWEET	60	5 GAL.	
Cs	CORNUS SERICEA	RED OSIER DOGWOOD	12	3 GAL.	
Jc	JUNIPERUS CHINENSIS 'DAUB'S FROSTED'	DAUB'S FROSTED JUNIPER	55	3 GAL.	
Pm	PHILADELPHUS X 'SNOWBELLE'	SNOWBELLE MOCKORANGE	37	5 GAL.	
Po	PHYSOCARPUS OPULIFOLIUS 'MINDIA'	COPPERTINA NINEBARK	6	5 GAL.	
Rh	RHUS AROMATICA 'GRO-LOW'	FRAGRANT SUMAC	33	5 GAL.	
Vt	VIBURNUM TRILOBUM 'COMPACTUM'	DWARF AMERICAN CRANBERRY	16	2 GAL.	
PERENNIALS/ORNAMENTAL GRASSES					
am	ASTILBE 'DELFT LACE'	DELFT LACE FALSE SPIREA	130	1 GAL.	500 O.C.
he	HEMEROCALLIS 'LITTLE RAINBOW'	LITTLE RAINBOW DAYLILY	175	1 GAL.	500 O.C.
hh	HOSTA 'HUDSON BAY'	HUDSON BAY HOSTA	85	1 GAL.	600 O.C.
is	IRIS SIBIRICA 'CAESAR'S BROTHER'	CAESAR'S BROTHER IRIS	225	1 GAL.	500 O.C.
mf	MISCANTHUS SINENSIS 'KLEINE FONTAINE'	LITTLE FOUNTAIN MISCANTHUS	120	1 GAL.	750 O.C.
ms	MISCANTHUS SINENSIS 'LITTLE KITTEN'	LITTLE KITTEN MISCANTHUS	130	1 GAL.	500 O.C.
ss	SCHIZACHYRIUM SCOPARIUM	LITTLE BLUESTEM	130	1 GAL.	600 O.C.

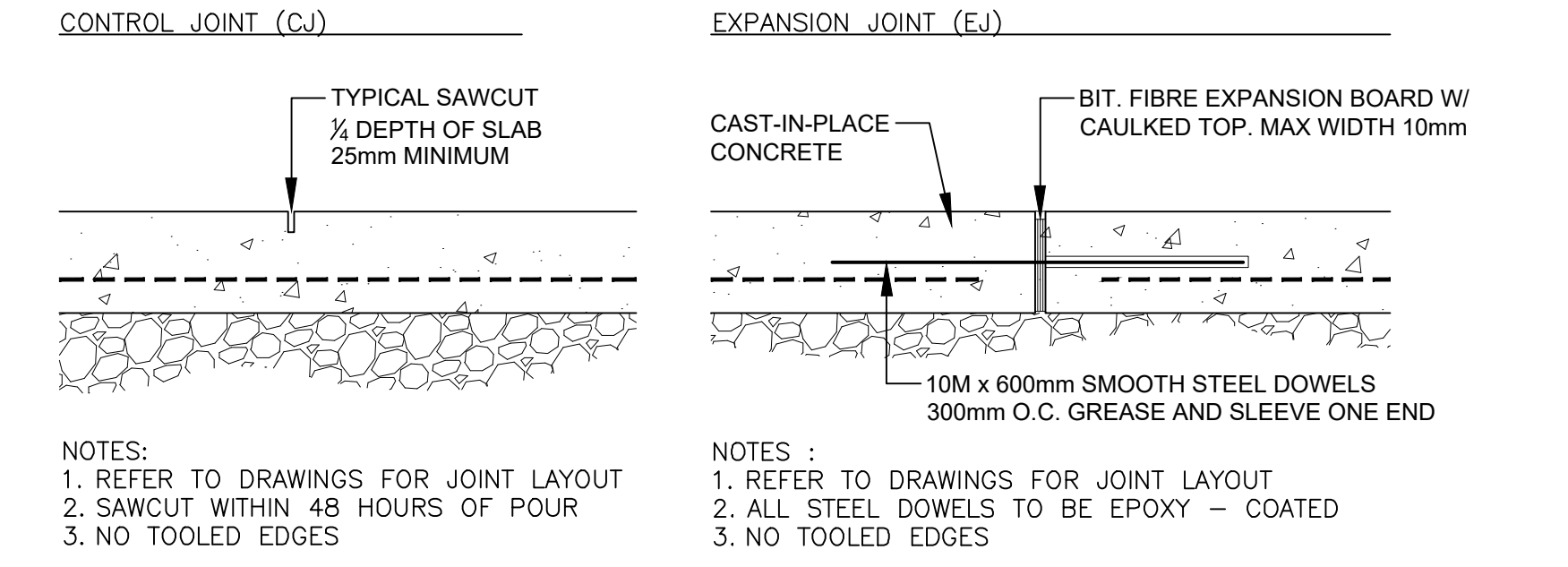


Label Save: 2024-04-10 10:00 PM
 File Location: Z:\Projects\2052-02-29 Selkirk Street - Phase 3\Drawings\03-DD\2052-02-29 Selkirk PH3 (LANDSCAPE)_DD.dwg

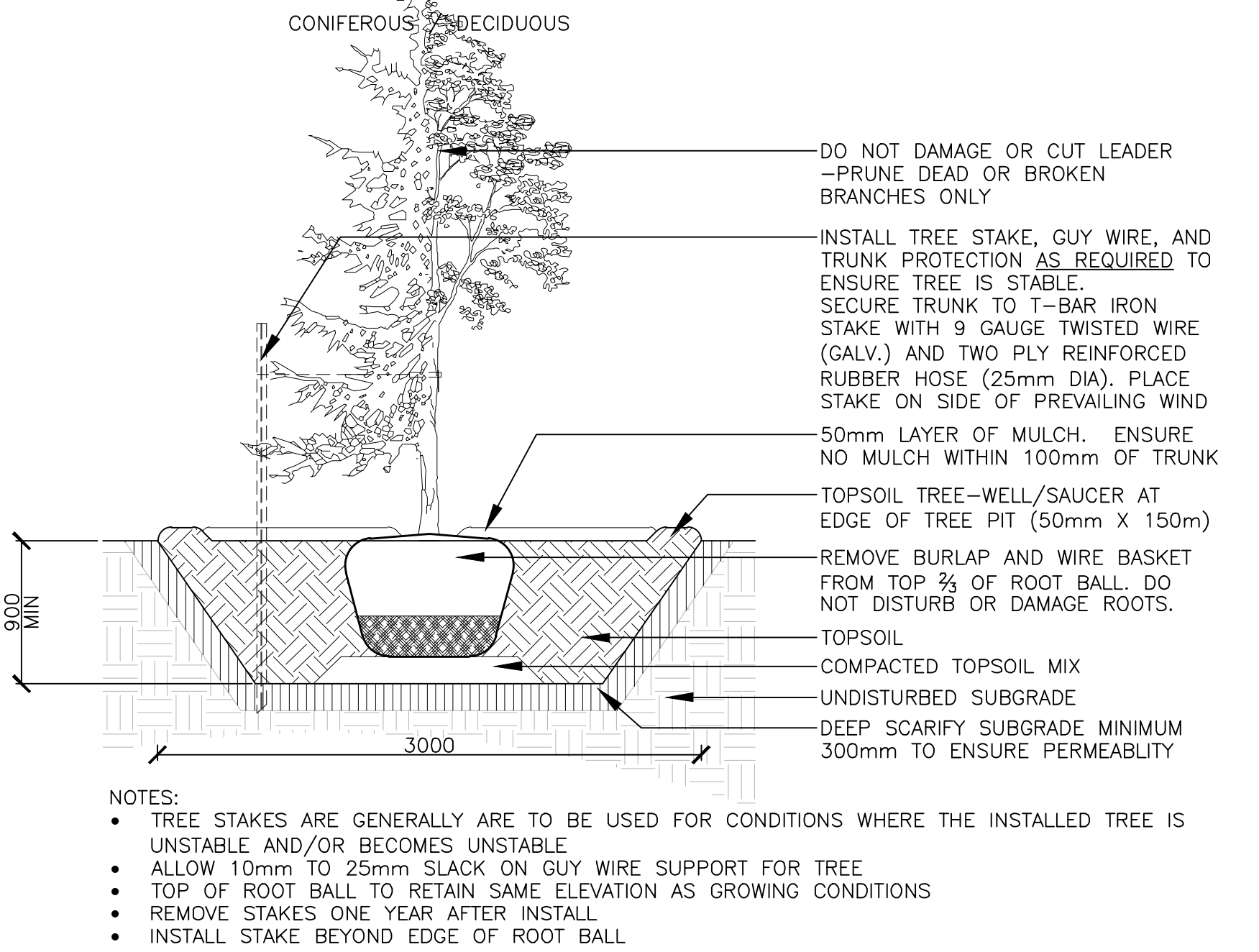
XXX-XX-XXX
 XXX-XX-XXX
 XXX-XX-XXX



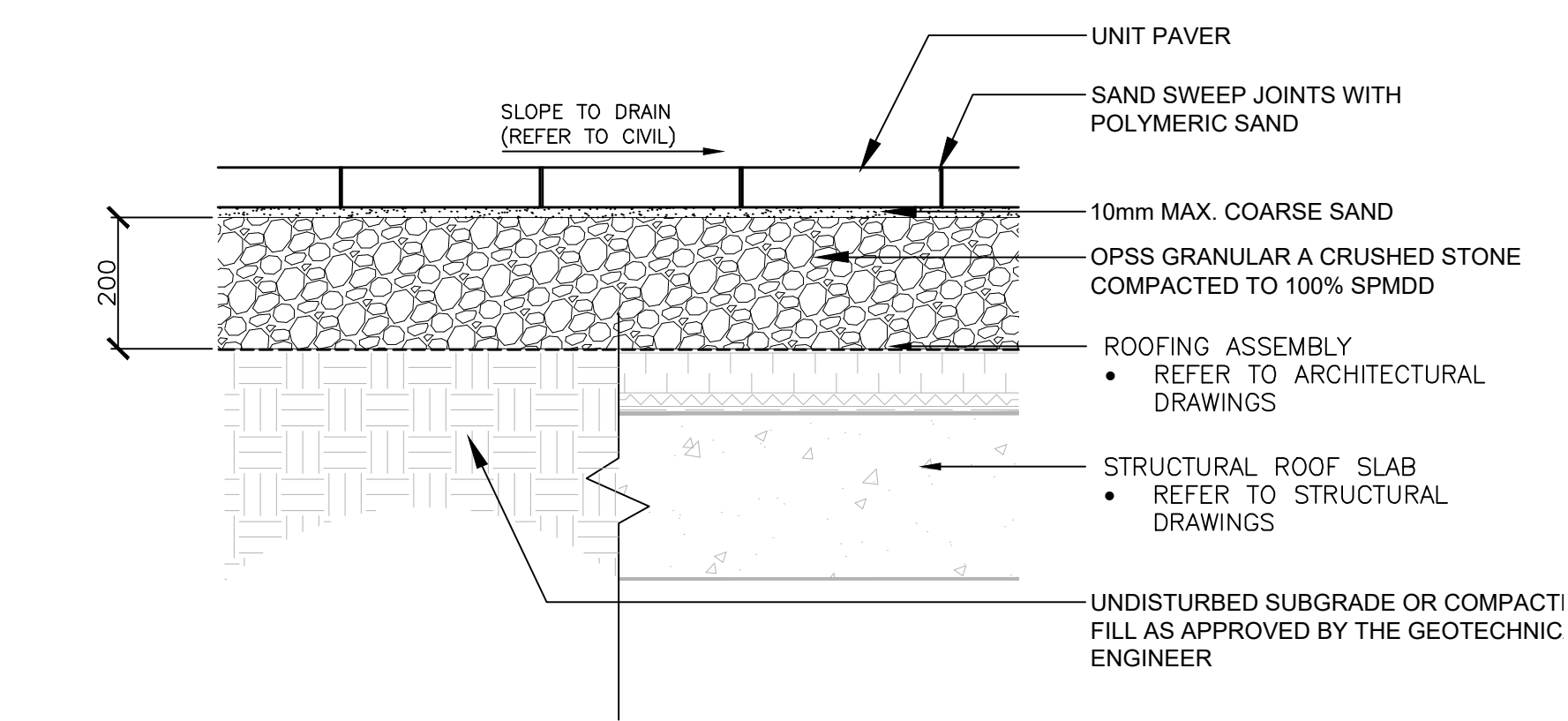
1 VEHICULAR ASPHALT PAVING Scale: 1:10



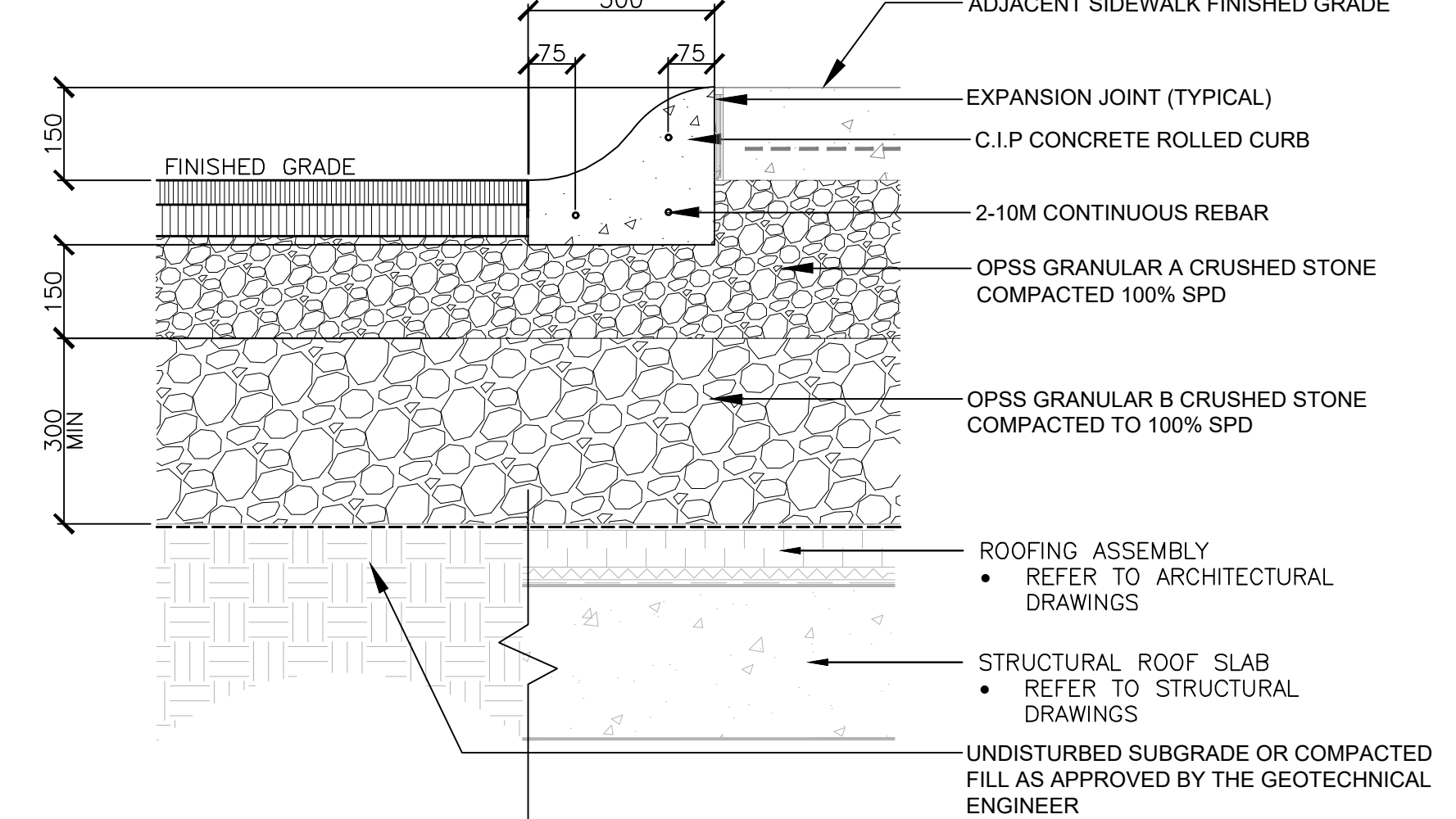
4 C.I.P. CONCRETE JOINTING Scale: 1:10



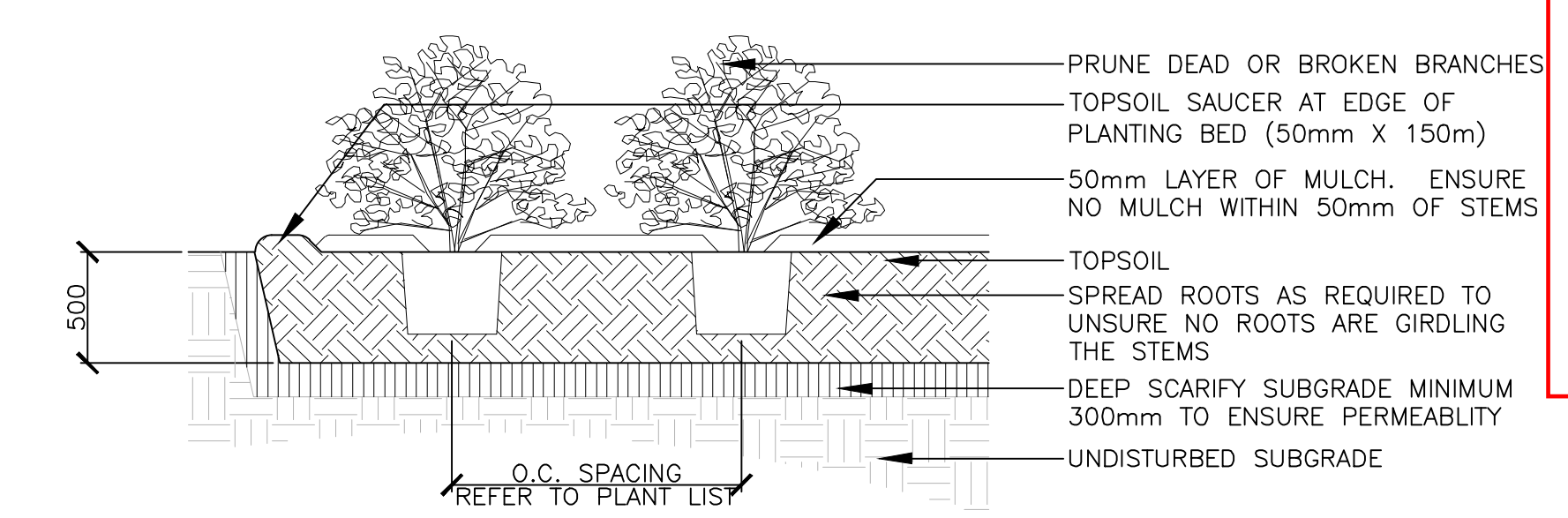
7 TREE PLANTING Scale: 1:30



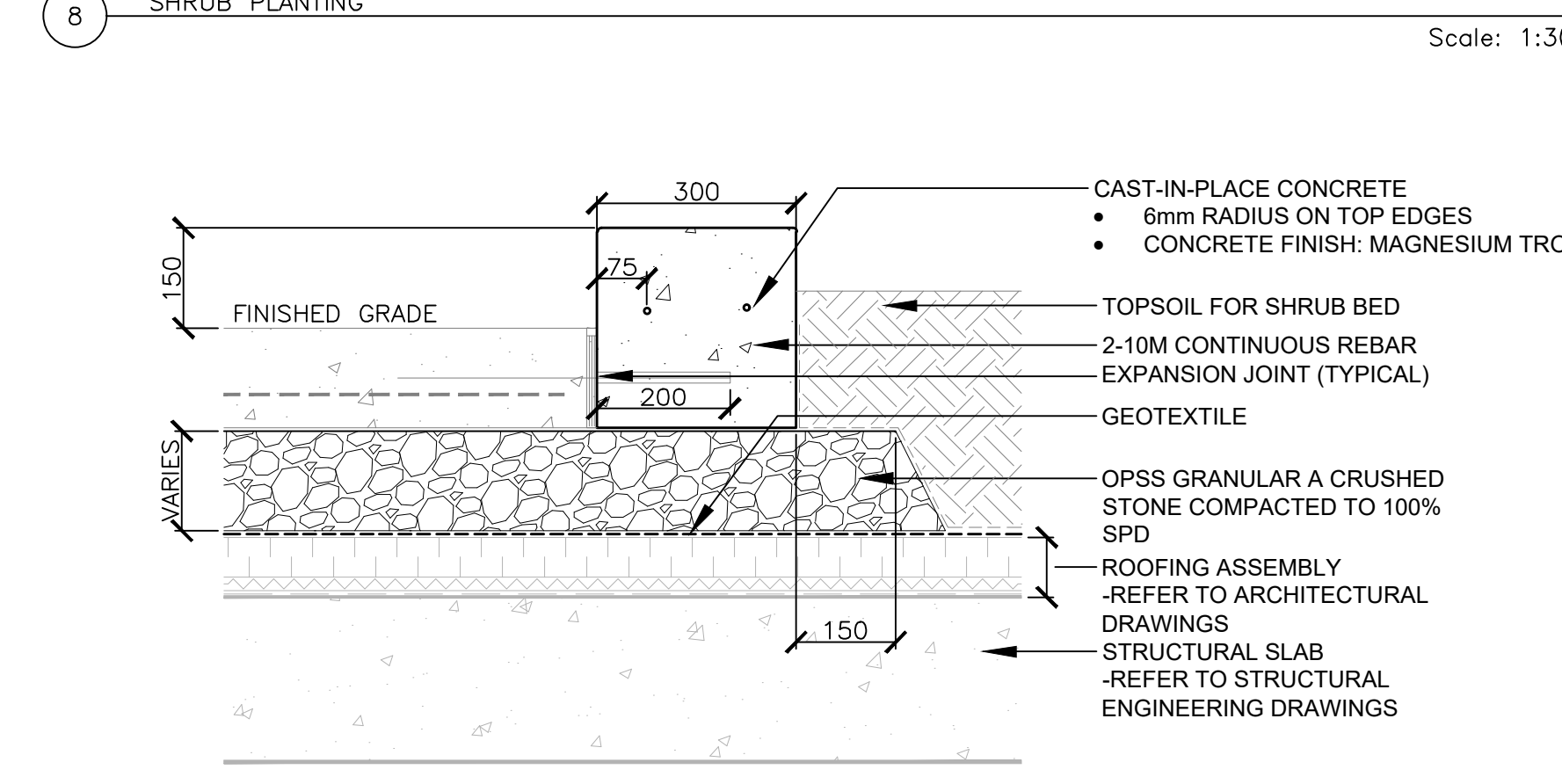
2 PEDESTRIAN UNIT PAVING Scale: 1:10



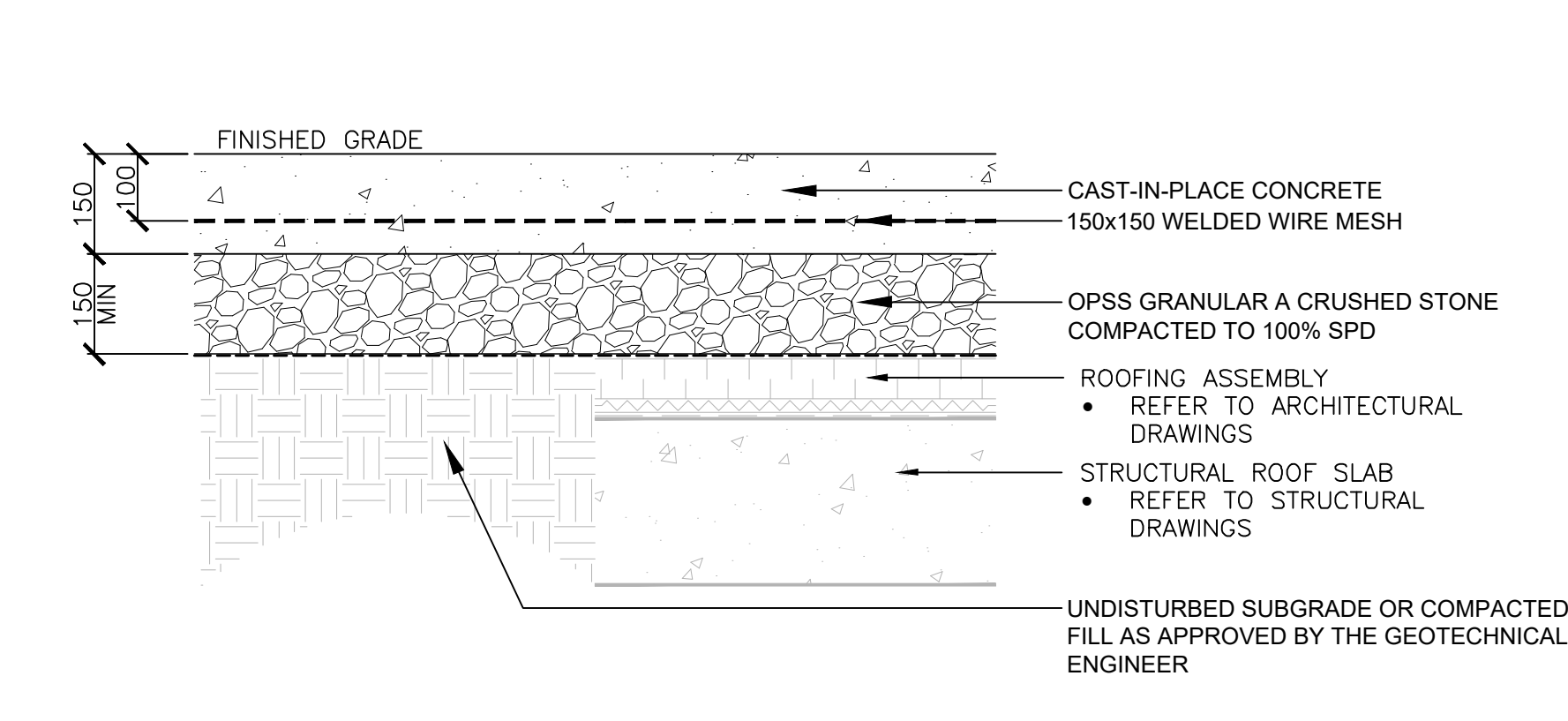
5 C.I.P. CONCRETE ROLLED CURB Scale: 1:10



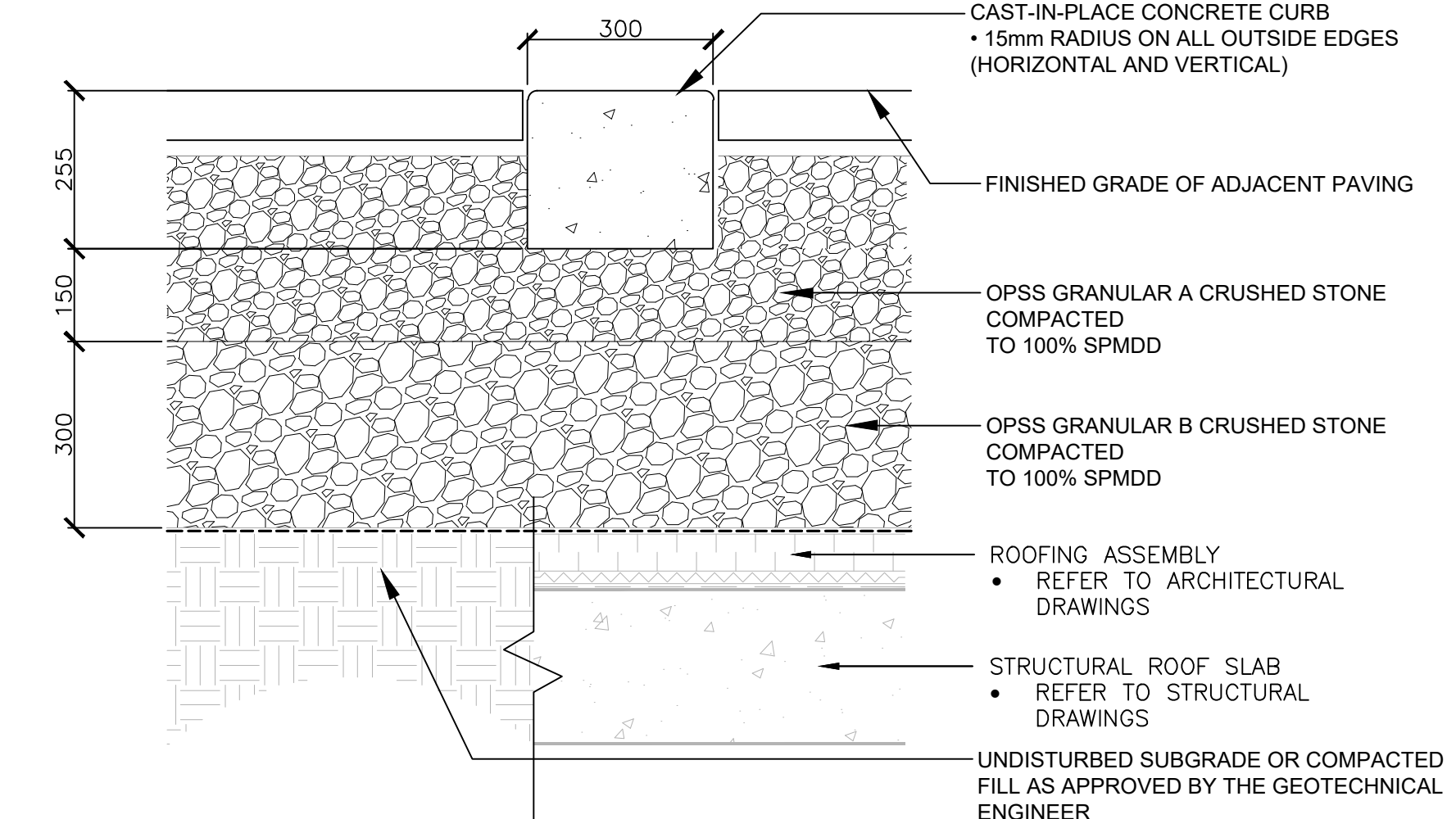
8 SHRUB PLANTING Scale: 1:30



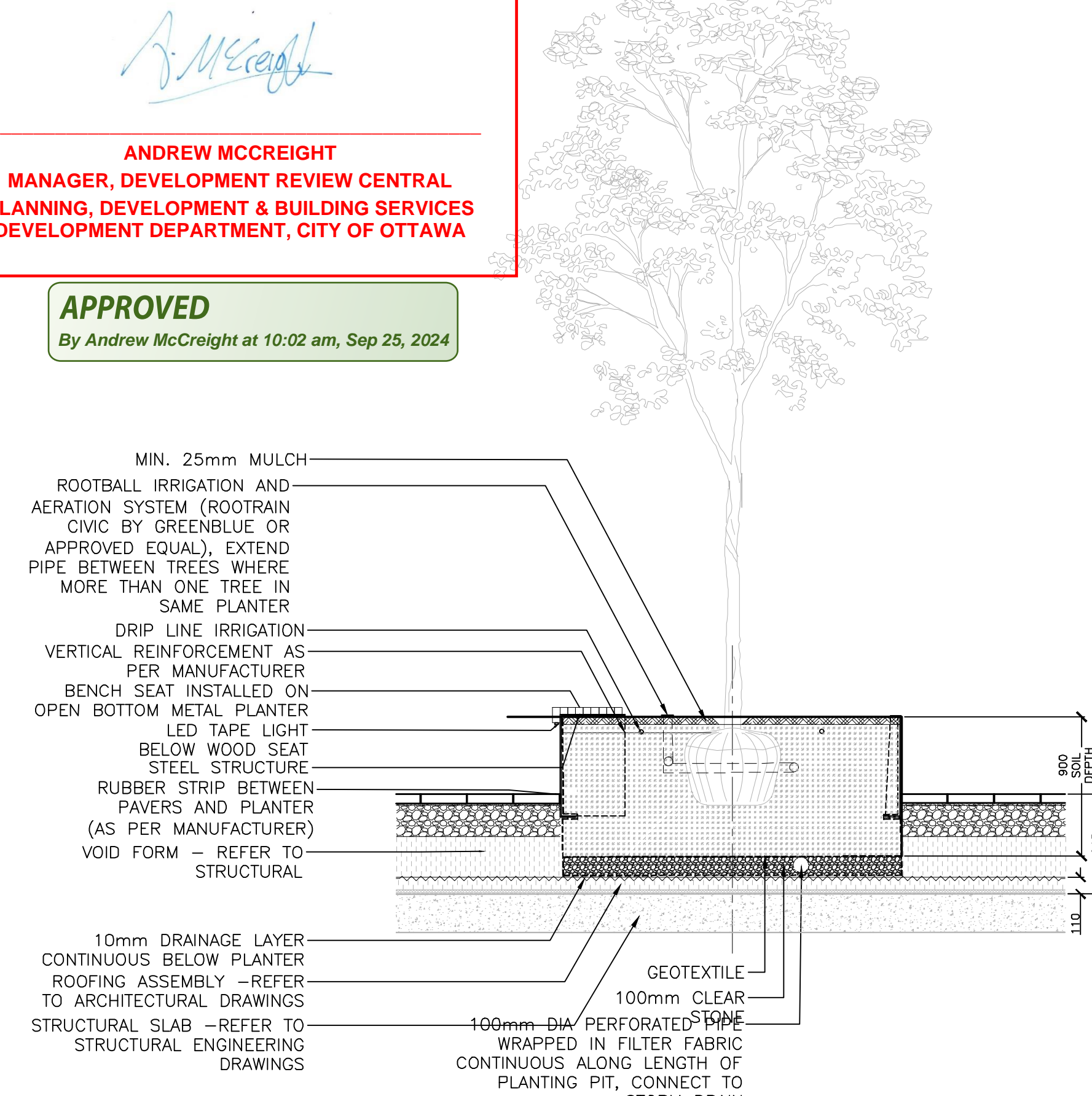
9 CONCRETE CURB AROUND SHRUB PLANTING Scale: 1:10



3 C.I.P. CONCRETE PEDESTRIAN PAVING Scale: 1:10



6 C.I.P. CONCRETE FLUSH CURB Scale: 1:10



10 TREE PLANTING IN METAL PLANTER Scale: 1:20

APPROVED
By Andrew McCreight at 10:02 am, Sep 25, 2024

No.	Revision	Date
6	ISSUED FOR COORDINATION	07 MAR 2024
5	ISSUED FOR COORDINATION	07 FEB 2024
4	RE-ISSUED FOR SPA SUBMISSION	23 JAN 2024
3	RE-ISSUED FOR SPA SUBMISSION	02 OCT 2023
2	ISSUED FOR SPA SUBMISSION	13 JUNE 2023
1	ISSUED FOR COORDINATION	05 JUNE 2023

North: Stamp:

CSW Landscape Architecture
Urban Design
Site Planning
Recreation and Park Planning
Project Management

1960 Scott Street, Suite 200, Ottawa, Ontario K1Z 8L8
Tel: (613) 729-4536 Fax: (613) 729-3018

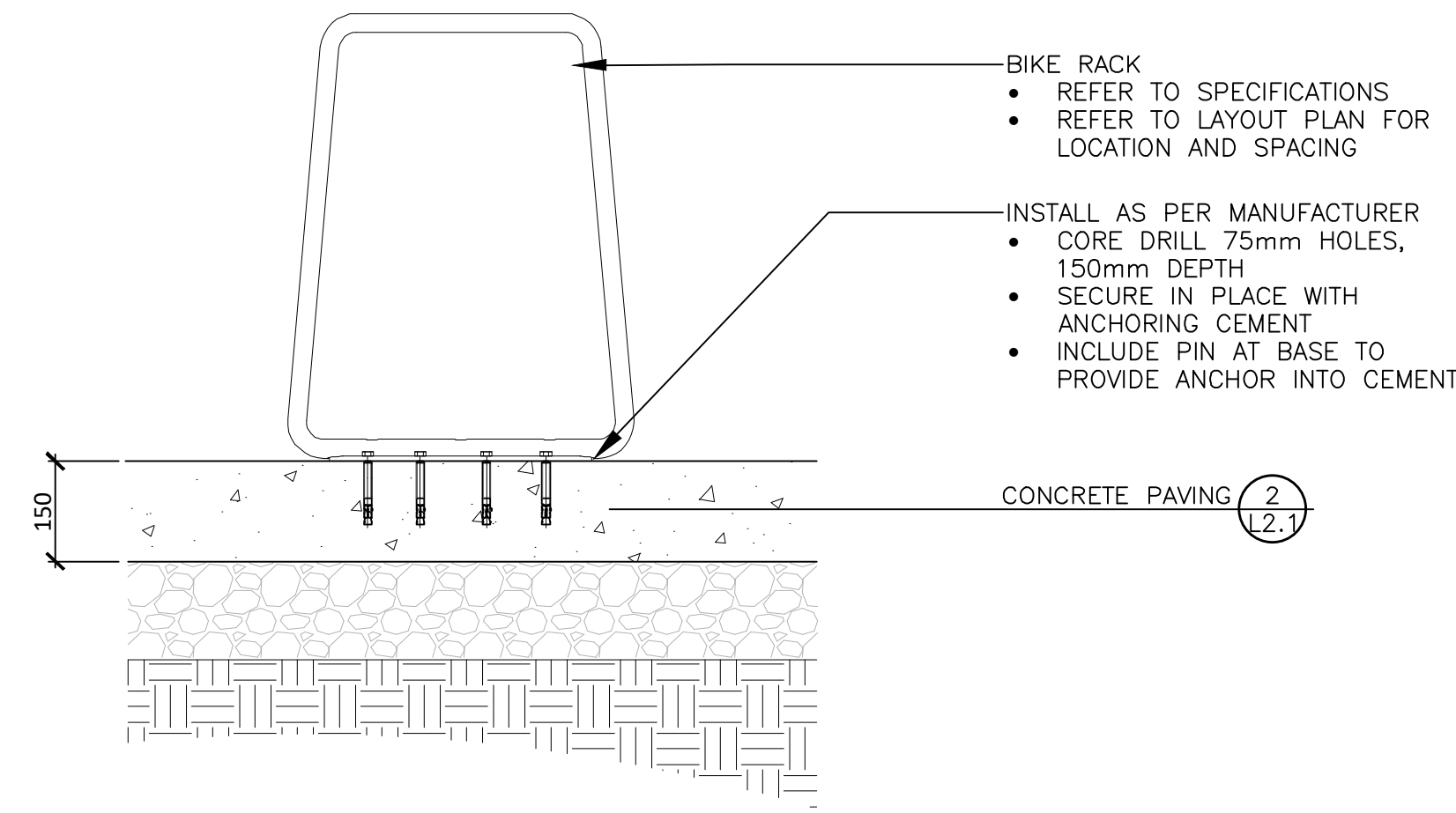
- All measurements in millimeters unless specified otherwise. Do not scale drawing. All drawings to be read in conjunction with written specifications.
- Copyright reserved. This drawing is the exclusive property of CSW Landscape Architects Ltd. and shall not be used without the consent thereof.
- This Drawing may not be used for construction until signed by the landscape architect. It is the responsibility of the contractor to:
 - check and verify all dimensions on site;
 - report all errors and/or omissions to the landscape architect;
 - comply with all pertinent codes and by-laws;
 - check and verify locations of all underground services with all local utilities prior to any digging.

Project: **RIVERAIN DISTRICT PHASE 3**
300 MONTGOMERY STREET
OTTAWA, ONTARIO

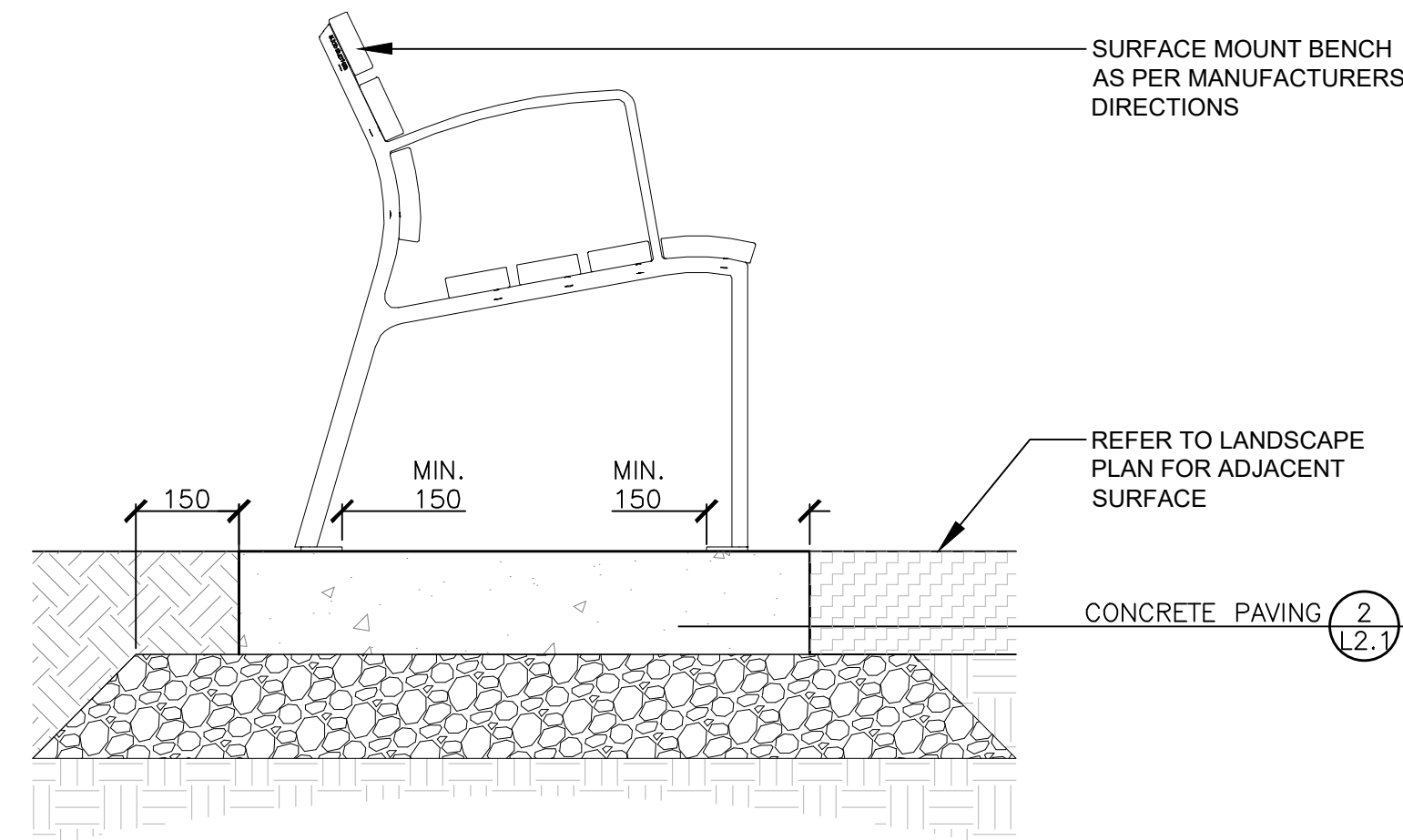
Drawing: **LANDSCAPE DETAILS**

Scale:	Date:
Design By:	Drawn By:
Project Number:	Sheet Number:

2023-05-26
AB AB
2052-01 L2.1



1 BIKE RACK Scale: 1:10



2 BENCH Scale: 1:10

Andrew McCreight

ANDREW MCCREIGHT
 MANAGER, DEVELOPMENT REVIEW CENTRAL
 PLANNING, DEVELOPMENT & BUILDING SERVICES
 DEVELOPMENT DEPARTMENT, CITY OF OTTAWA

APPROVED
 By Andrew McCreight at 10:02 am, Sep 25, 2024

Key Plan

No.	Revision	Date
6	ISSUED FOR COORDINATION	07 MAR 2024
5	ISSUED FOR COORDINATION	07 FEB 2024
4	RE-ISSUED FOR SPA SUBMISSION	23 JAN 2024
3	RE-ISSUED FOR SPA SUBMISSION	02 OCT 2023
2	ISSUED FOR SPA SUBMISSION	13 JUNE 2023
1	ISSUED FOR COORDINATION	05 JUNE 2023

North:	Stamp:
--------	--------

CSW Landscape Architecture
 Urban Design
 Site Planning
 Recreation and Park Planning
 Project Management

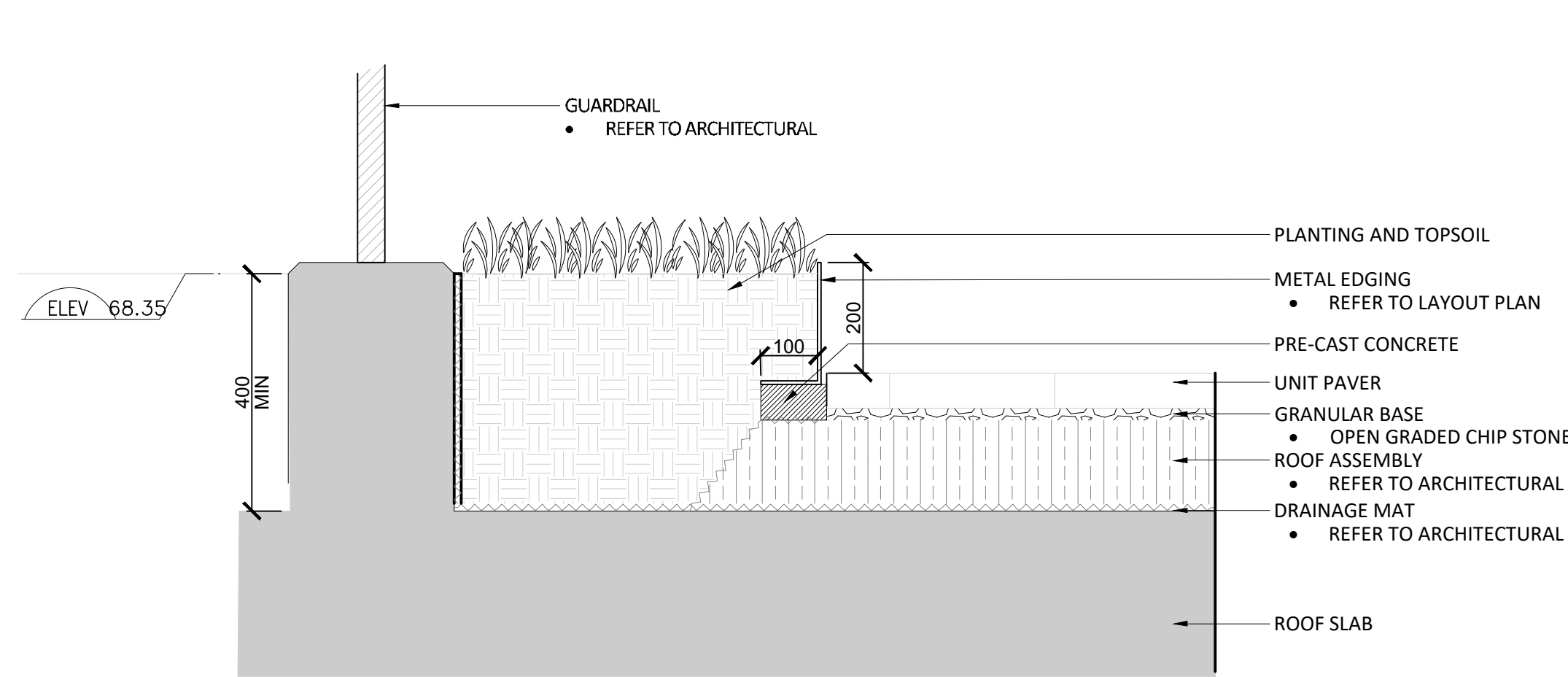
1960 Scott Street, Suite 200, Ottawa, Ontario K1Z 8L8
 Tel: (613) 729-4536 Fax: (613) 729-3018

- All measurements in millimeters unless specified otherwise. Do not scale drawing. All drawings to be read in conjunction with written specifications.
- Copyright reserved. This drawing is the exclusive property of CSW Landscape Architects Ltd. and shall not be used without the consent thereof.
- This Drawing may not be used for construction until signed by the landscape architect. It is the responsibility of the contractor to:
 - check and verify all dimensions on site;
 - report all errors and/or omissions to the landscape architect;
 - comply with all pertinent codes and by-laws;
 - check and verify locations of all underground services with all local utilities prior to any digging.

Project:
**RIVERAIN DISTRICT
 PHASE 3**
 300 MONTGOMERY STREET
 OTTAWA., ONTARIO

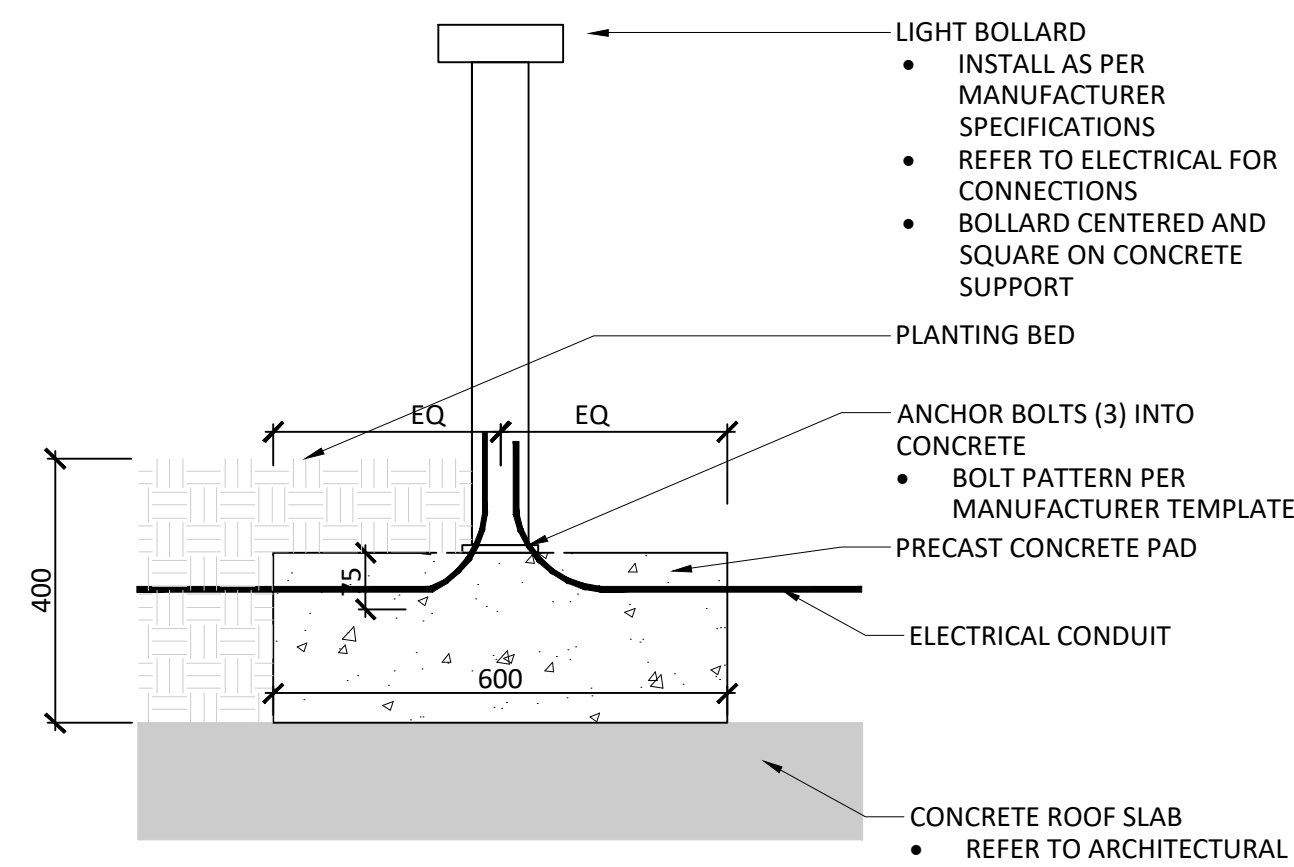
Drawing:
LANDSCAPE DETAILS

Scale:	Date: 2023-05-26
Design By: AB	Drawn By: AB
Project Number: 2052-01	Sheet Number: L2.2



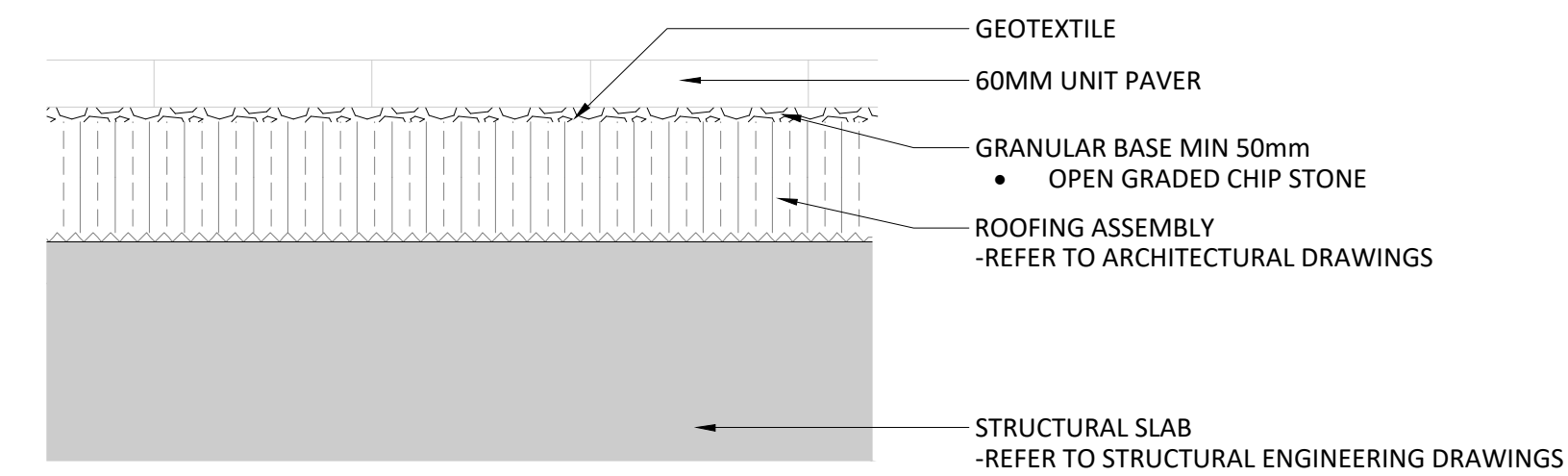
1 PLANTING BED AT GAURD RAIL

Scale: 1:10



2 GARDEN LIGHT BOLLARD

Scale: 1:10



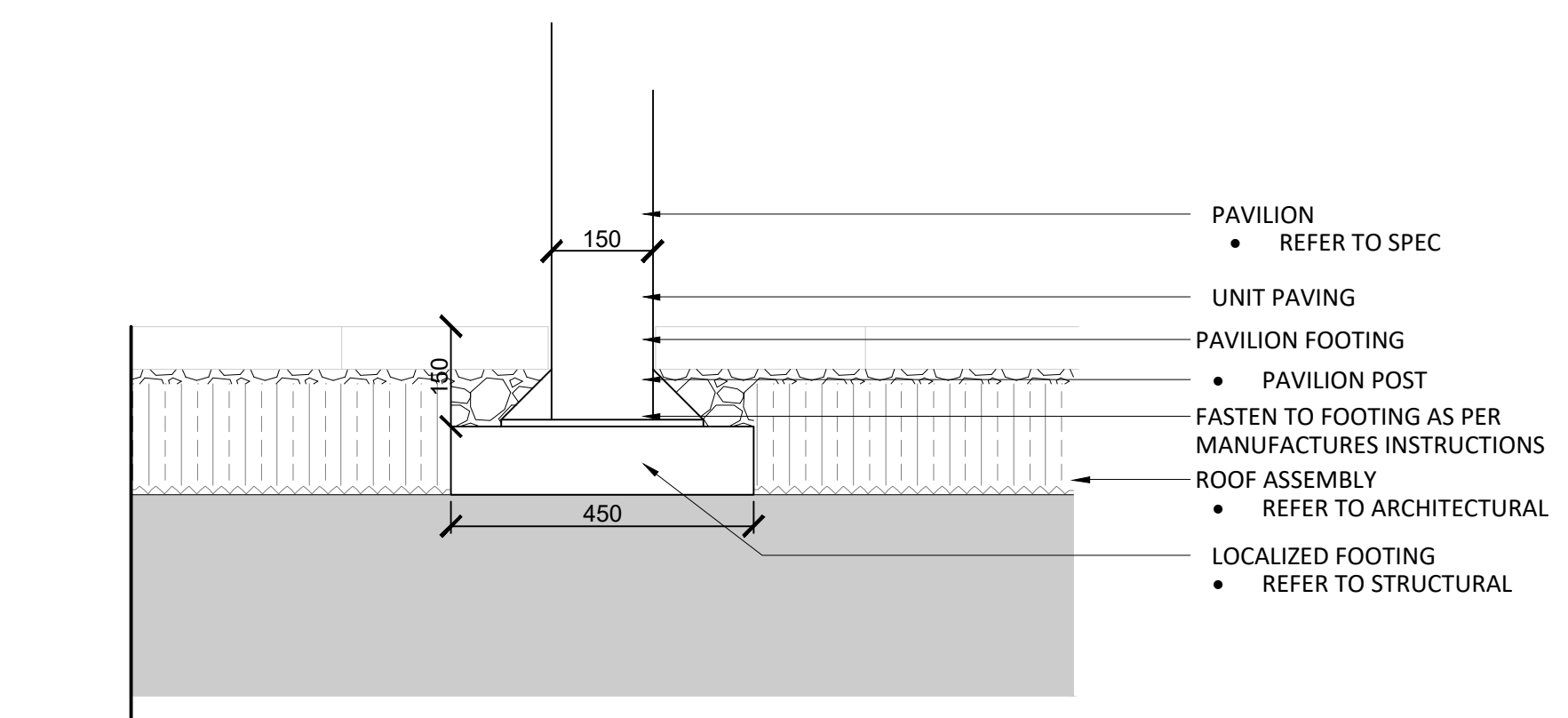
3 UNIT PAVING

Scale: 1:10

NOTES:
 1. ARTIFICIAL GRASS MUST BE INSTALLED AND SEAMED WITH ADJACENT PIECES RUNNING IN THE SAME DIRECTION; SEAMS SHOULD BE GLUED WITH SUITABLE SEAMING GLUE AND SEAMING CLOTH, NOT ADHESIVE TAPE.
 2. INCLUDE 'ENVIROFILL', NON-TOXIC, ANTIMICROBIAL SAND, QUANTITY AND INSTALLATION AS PER MANUFACTURER'S RECOMMENDATION.
 3. INSTALLATION TO BE COMPLETED IN ACCORDANCE WITH SPECIFICATIONS BY FACTORY AUTHORIZED INSTALLERS.

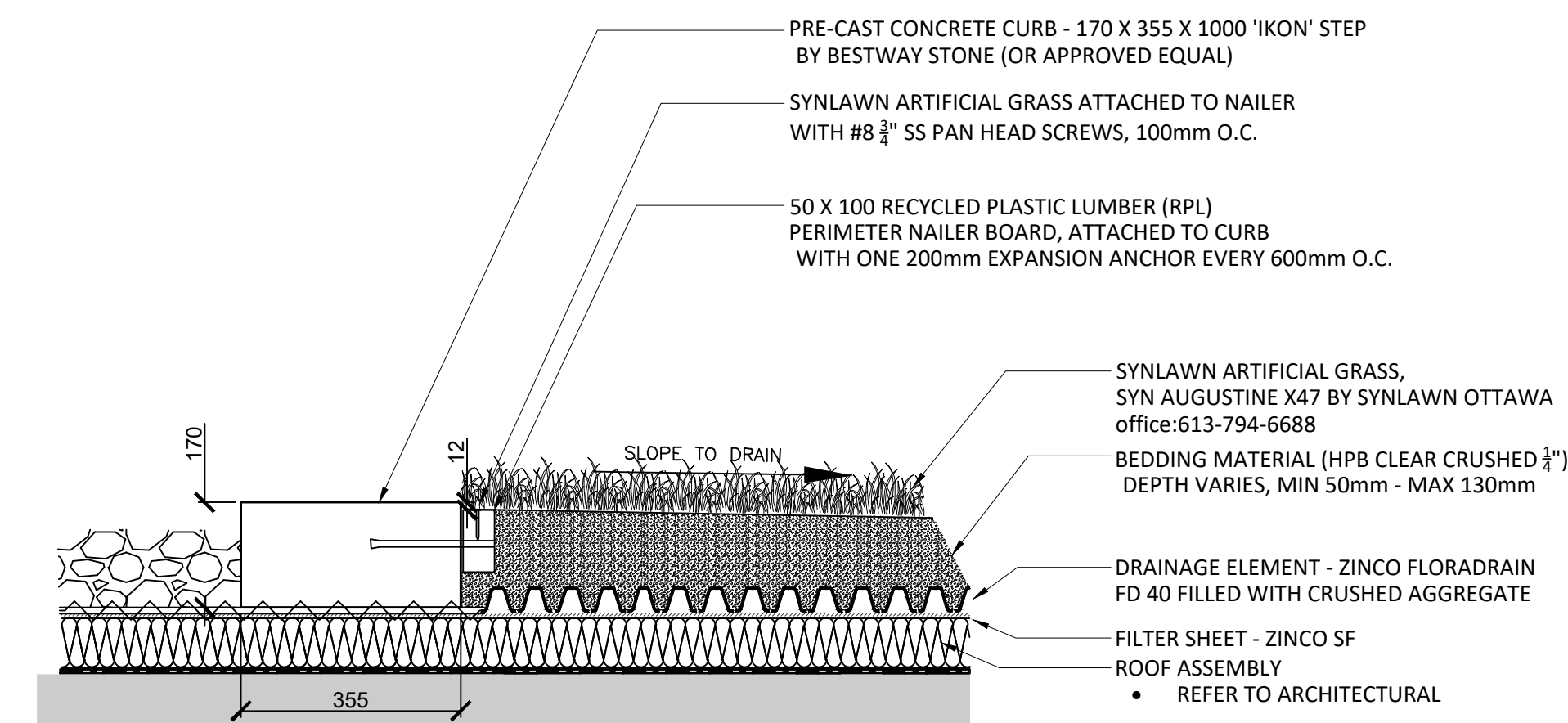
Andrew McCreight
ANDREW MCCREIGHT
 MANAGER, DEVELOPMENT REVIEW CENTRAL
 PLANNING, DEVELOPMENT & BUILDING SERVICES
 DEVELOPMENT DEPARTMENT, CITY OF OTTAWA

APPROVED
 By Andrew McCreight at 10:02 am, Sep 25, 2024



4 PAVILLION FOOTING

Scale: 1:10



5 SYNTHETIC TURF

Scale: 1:10

No.	Revision	Date
6	ISSUED FOR COORDINATION	07 MAR 2024
5	ISSUED FOR COORDINATION	07 FEB 2024
4	RE-ISSUED FOR SPA SUBMISSION	23 JAN 2024
3	RE-ISSUED FOR SPA SUBMISSION	02 OCT 2023
2	ISSUED FOR SPA SUBMISSION	13 JUNE 2023
1	ISSUED FOR COORDINATION	05 JUNE 2023

North:	Stamp:
--------	--------

CSW Landscape Architecture
 Urban Design
 Site Planning
 Recreation and Park Planning
 Project Management

1960 Scott Street, Suite 200, Ottawa, Ontario K1Z 8L8
 Tel: (613) 729-4536 Fax: (613) 729-3018

- All measurements in millimeters unless specified otherwise. Do not scale drawing. All drawings to be read in conjunction with written specifications.
- Copyright reserved. This drawing is the exclusive property of CSW Landscape Architects Ltd. and shall not be used without the consent thereof.
- This Drawing may not be used for construction until signed by the landscape architect. It is the responsibility of the contractor to:
 - check and verify all dimensions on site;
 - report all errors and/or omissions to the landscape architect;
 - comply with all pertinent codes and by-laws;
 - check and verify locations of all underground services with all local utilities prior to any digging.

Project:
**RIVERAIN DISTRICT
 PHASE 3**
 300 MONTGOMERY STREET
 OTTAWA., ONTARIO

Drawing:
**LANDSCAPE DETAILS
 ROOFTOP**

Scale:	Date: 2023-05-26
Design By: AB	Drawn By: AB
Project Number: 2052-01	Sheet Number: L2.2