

Copyright Reserved

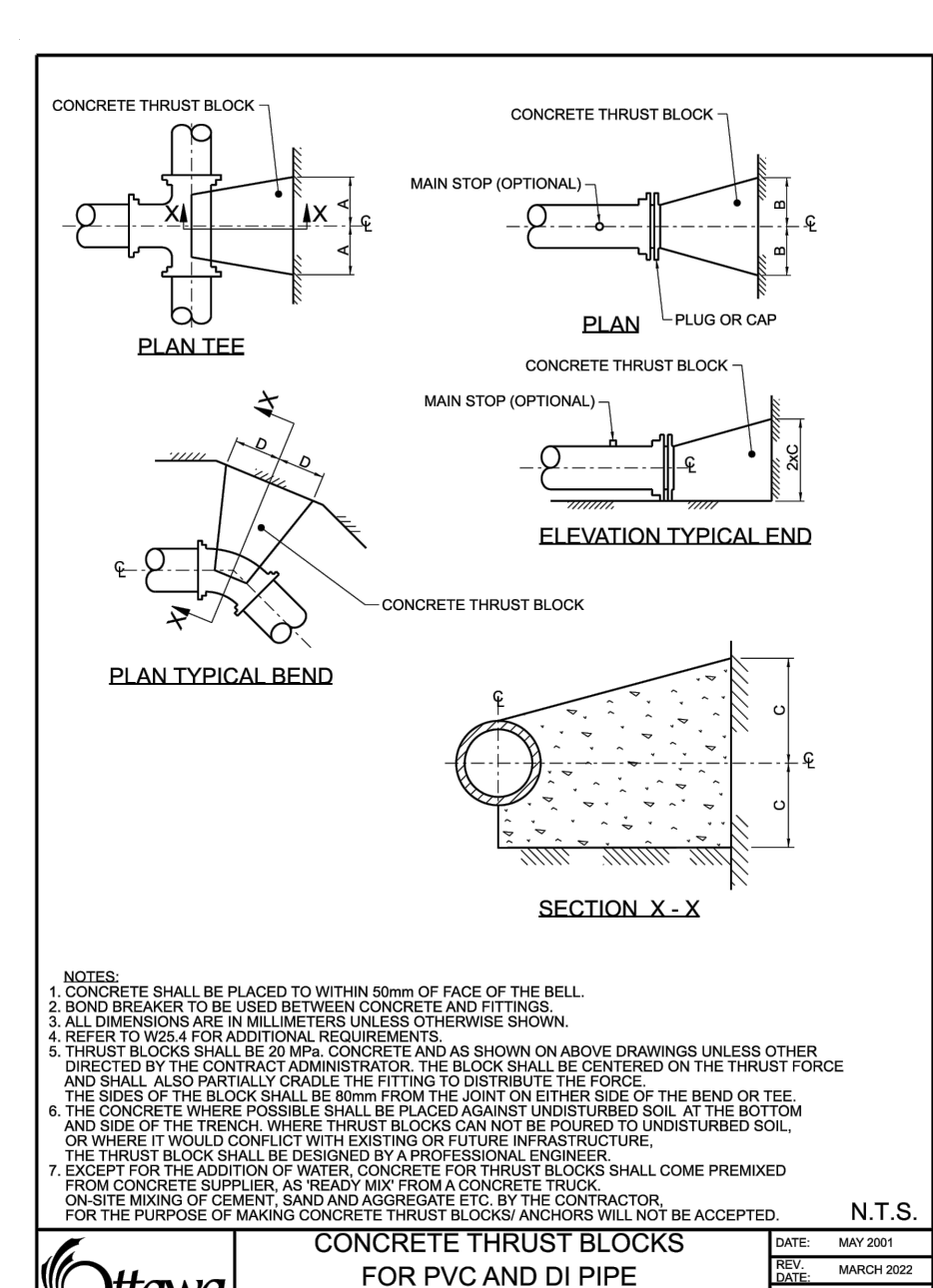
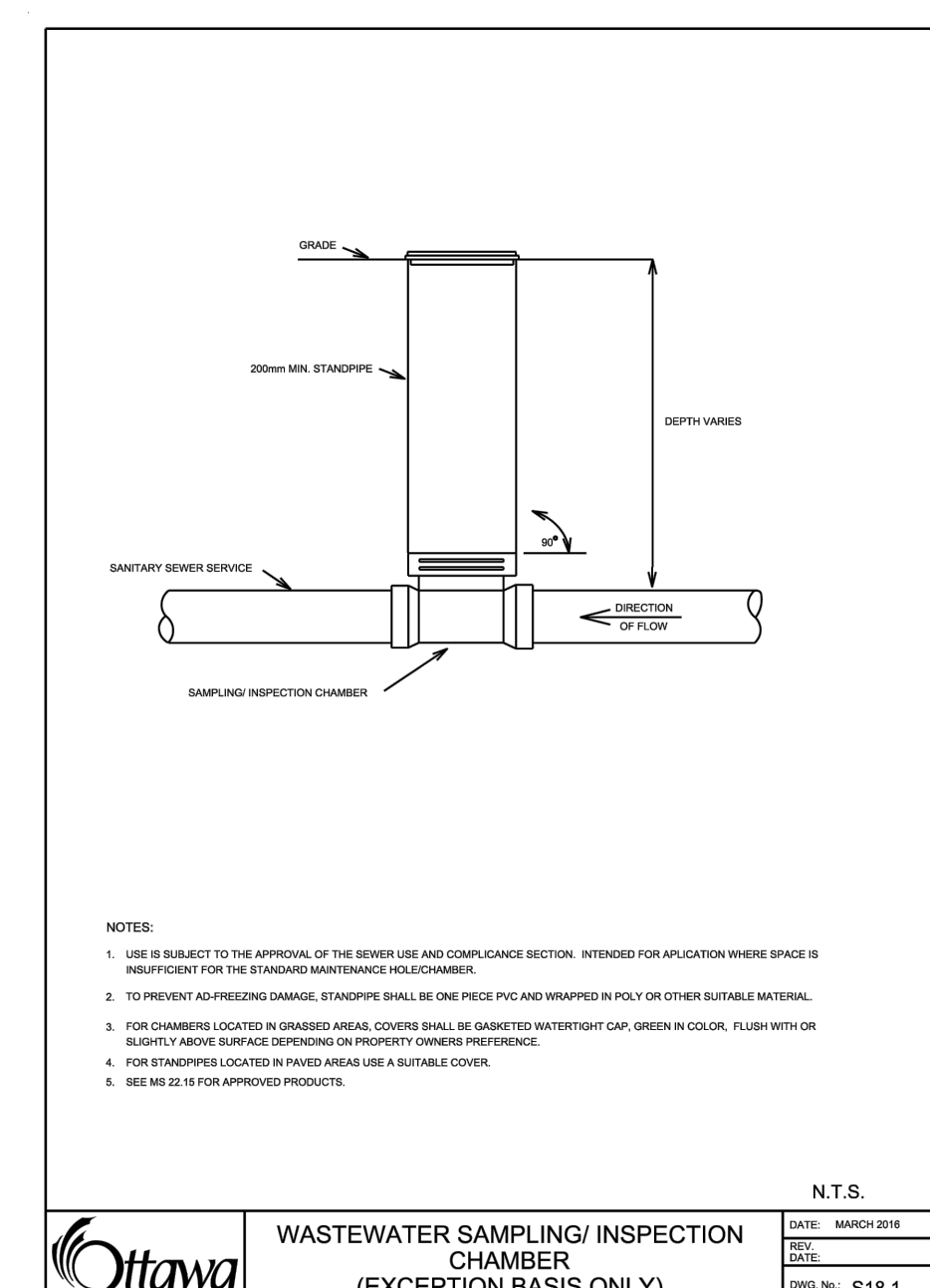
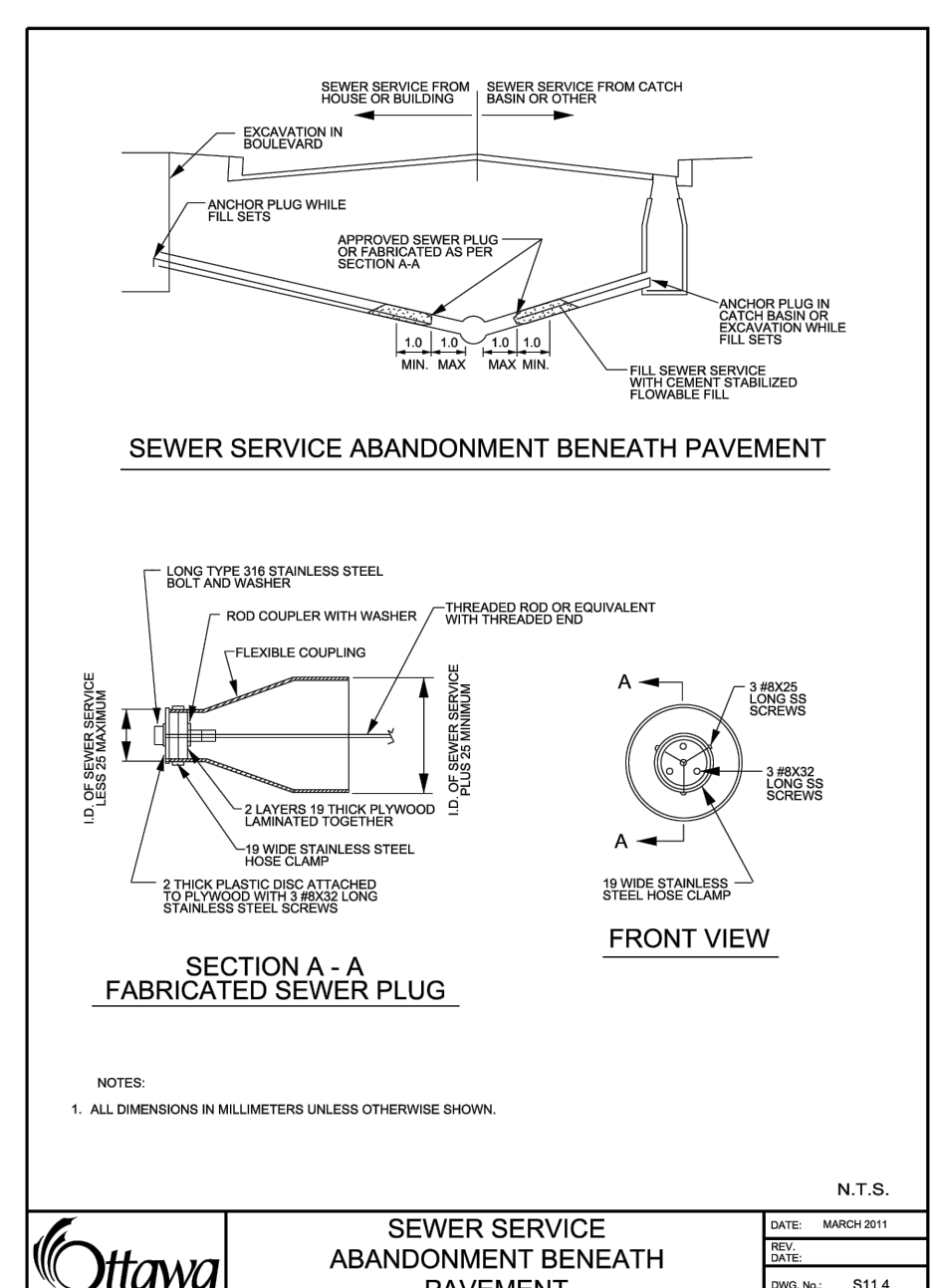
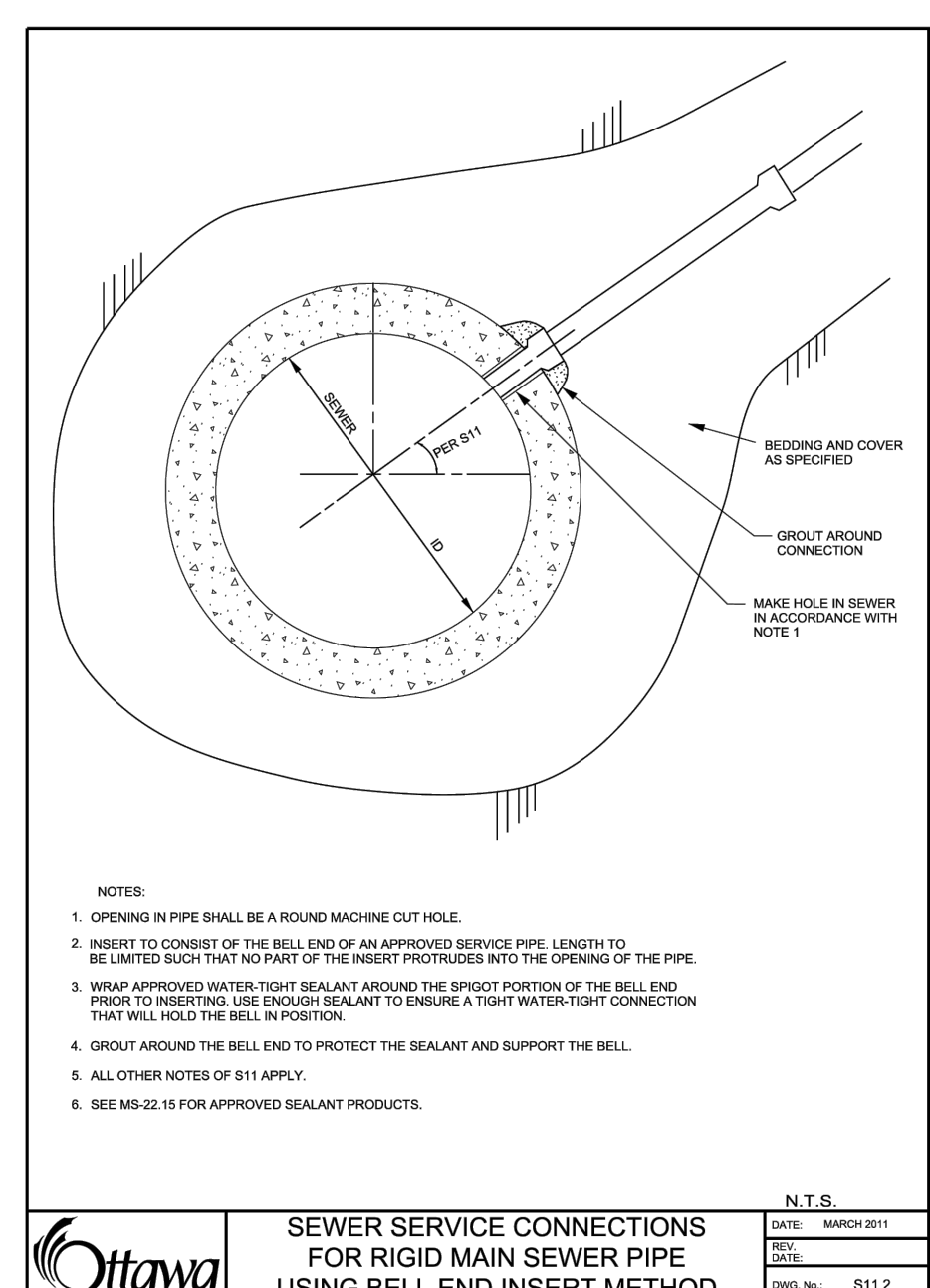
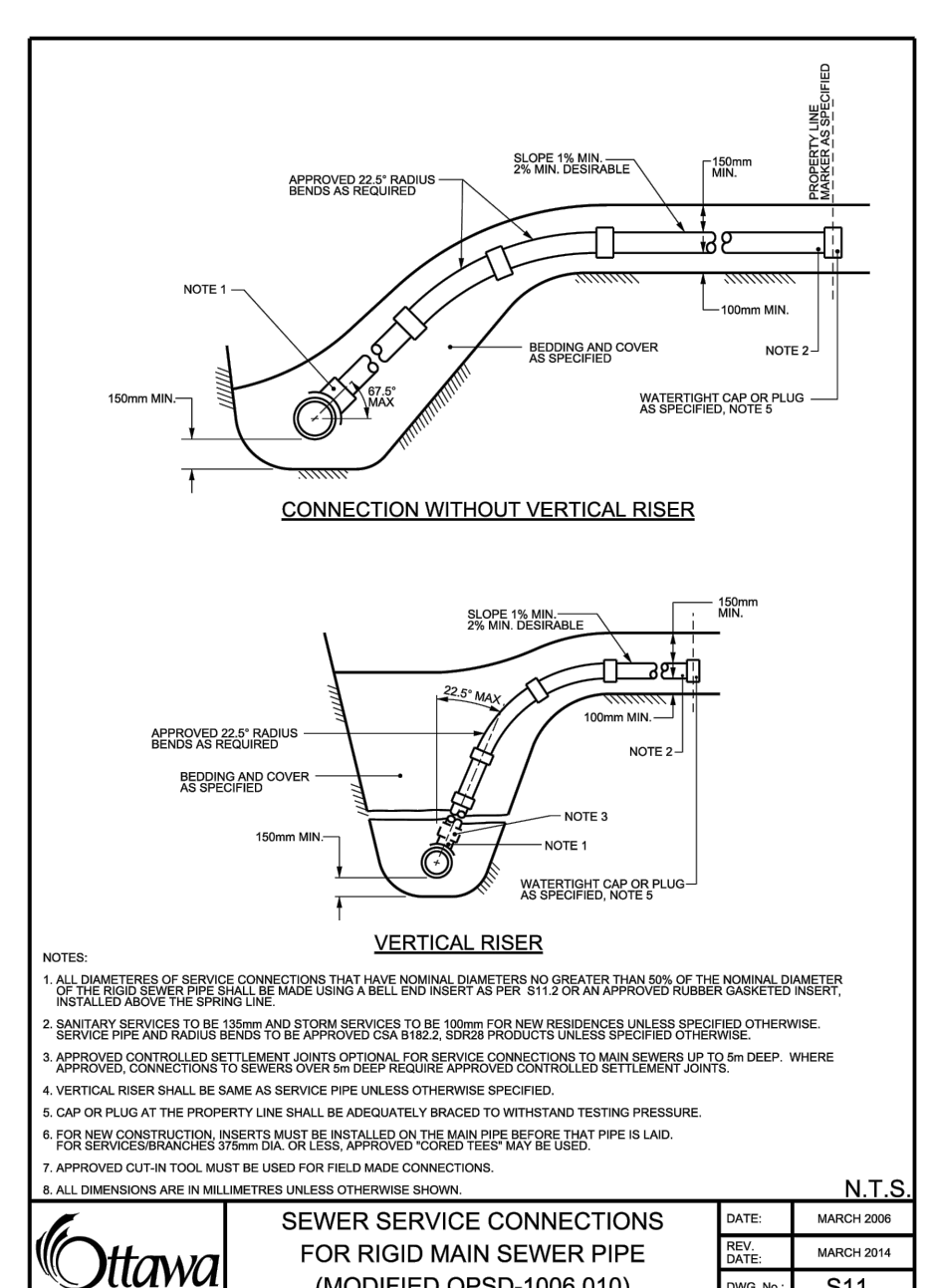
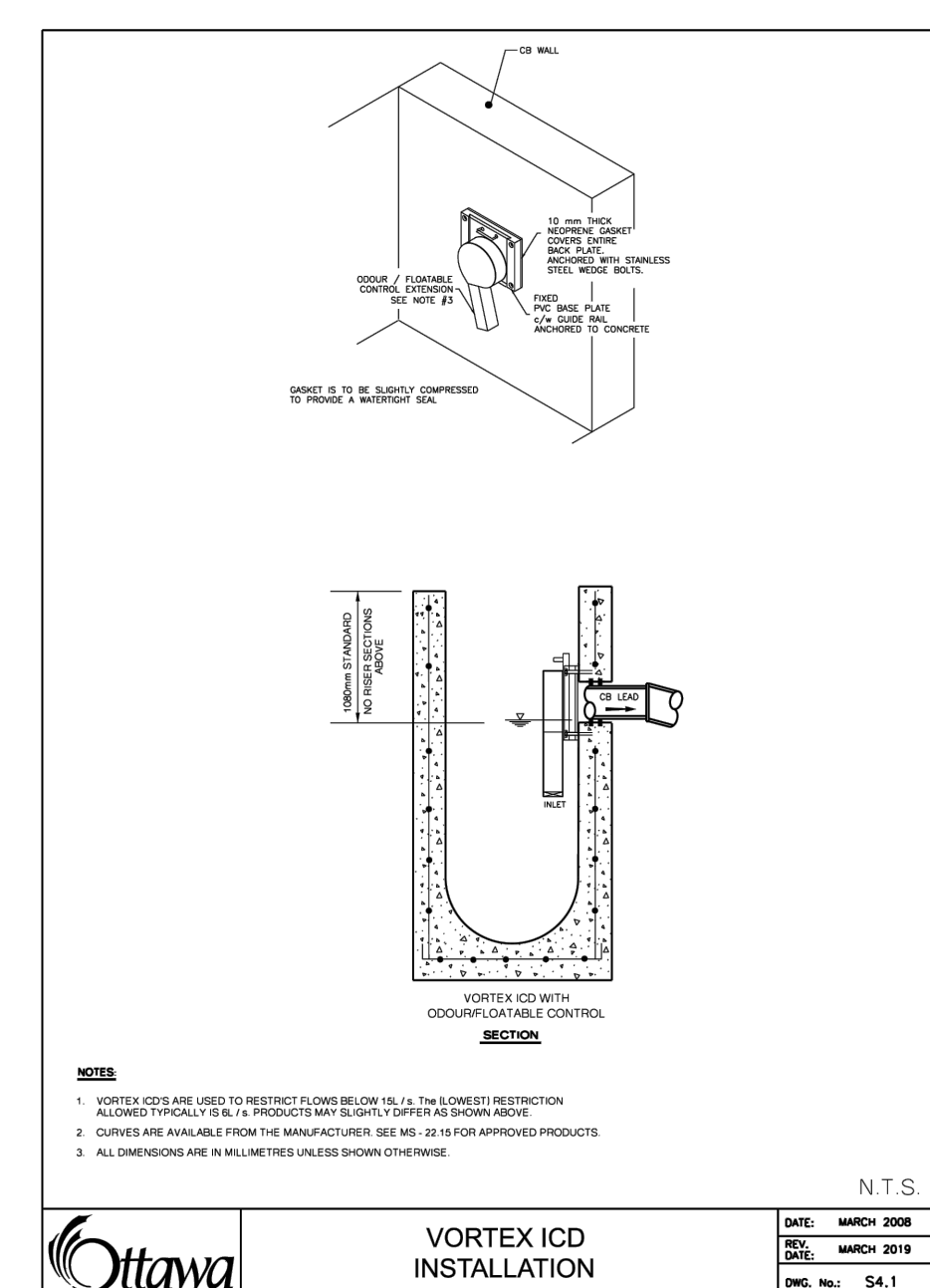
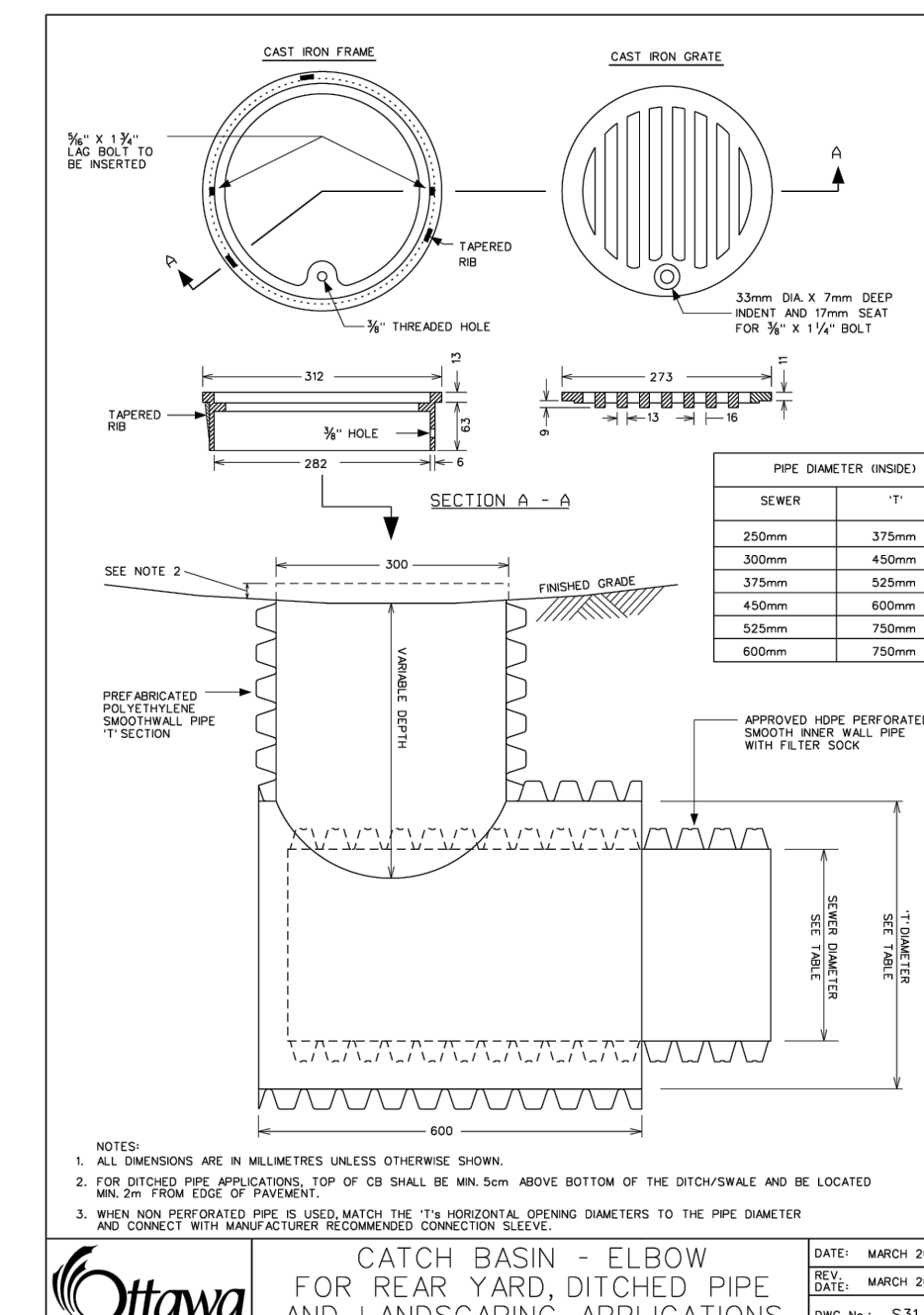
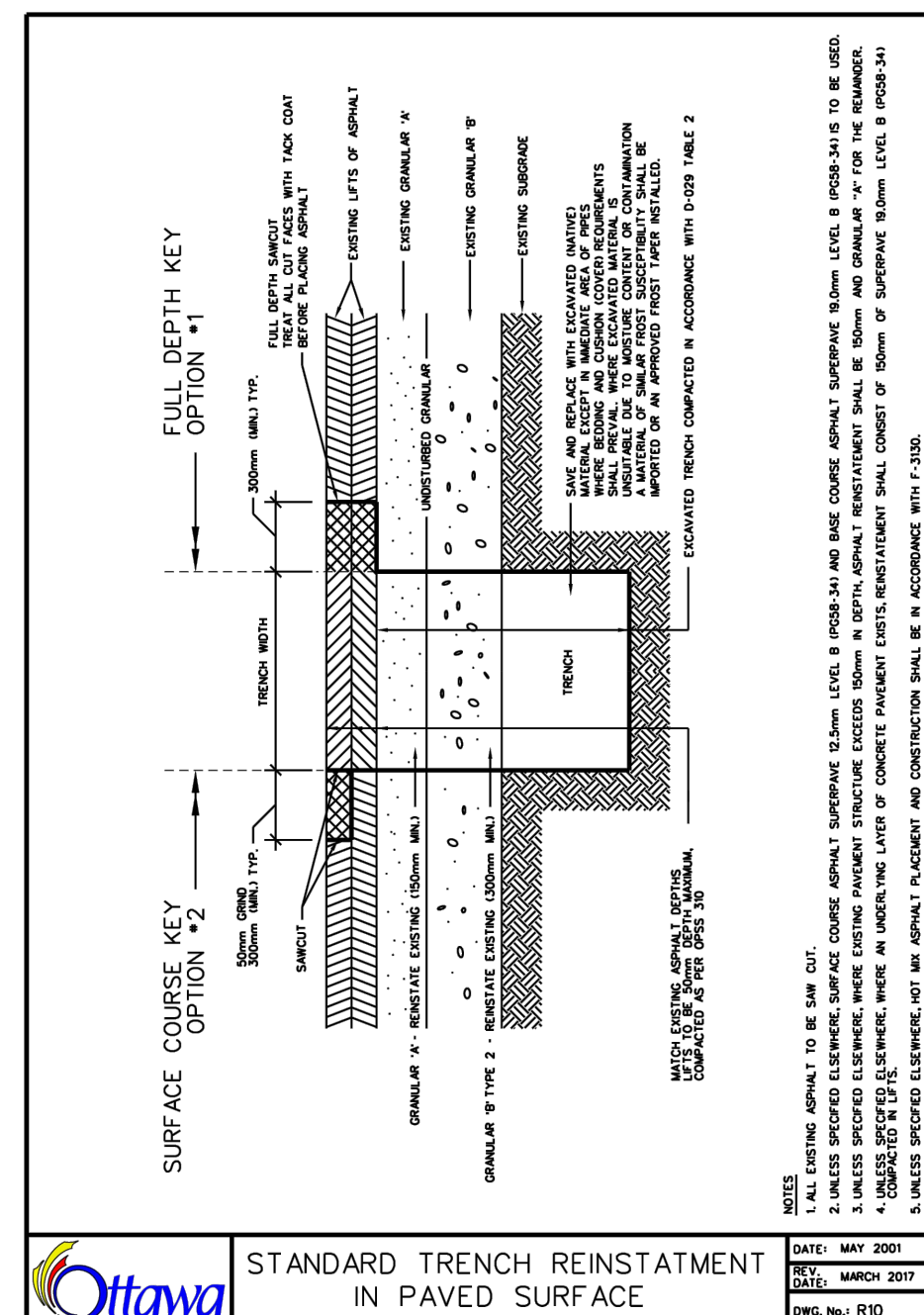
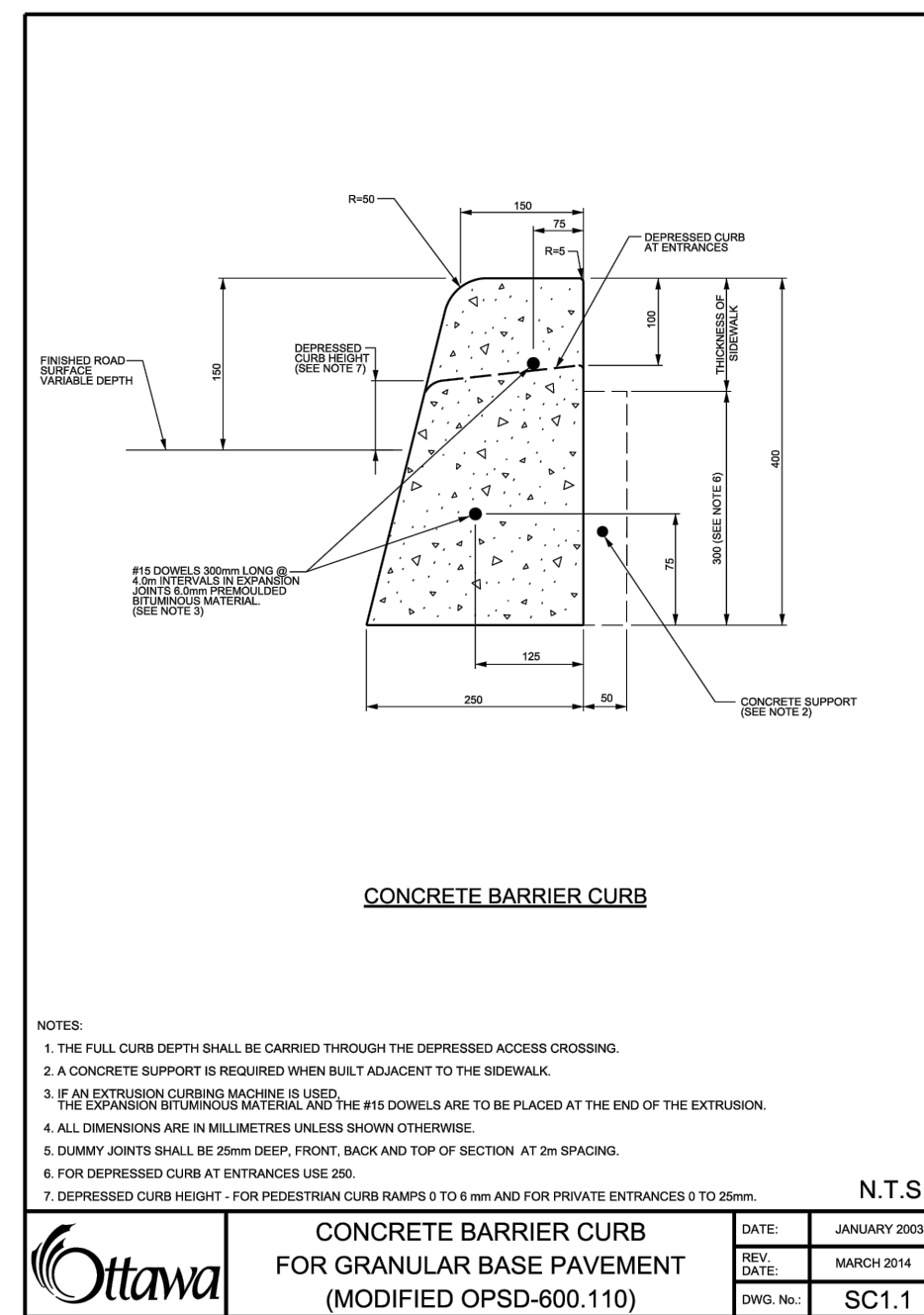
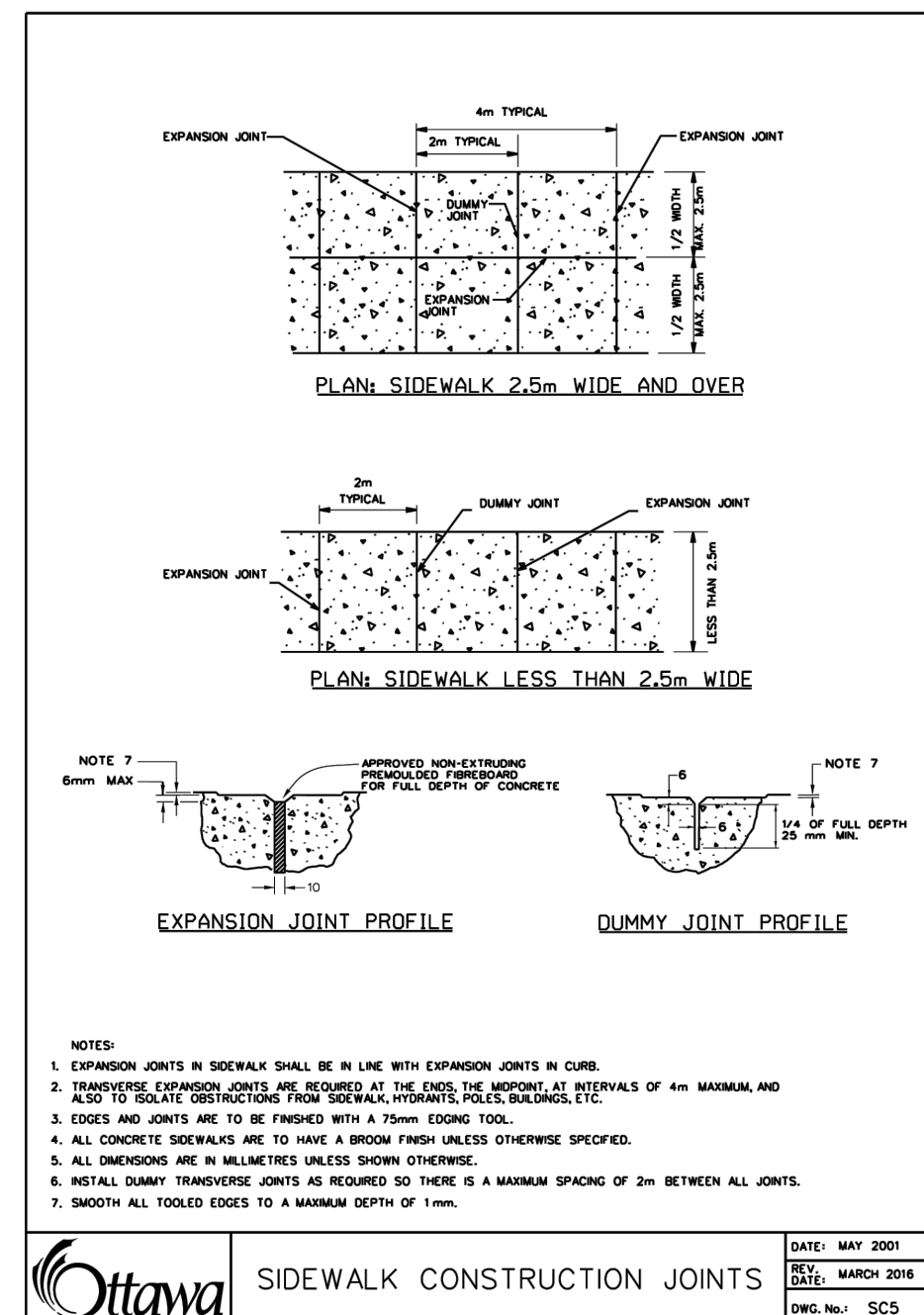
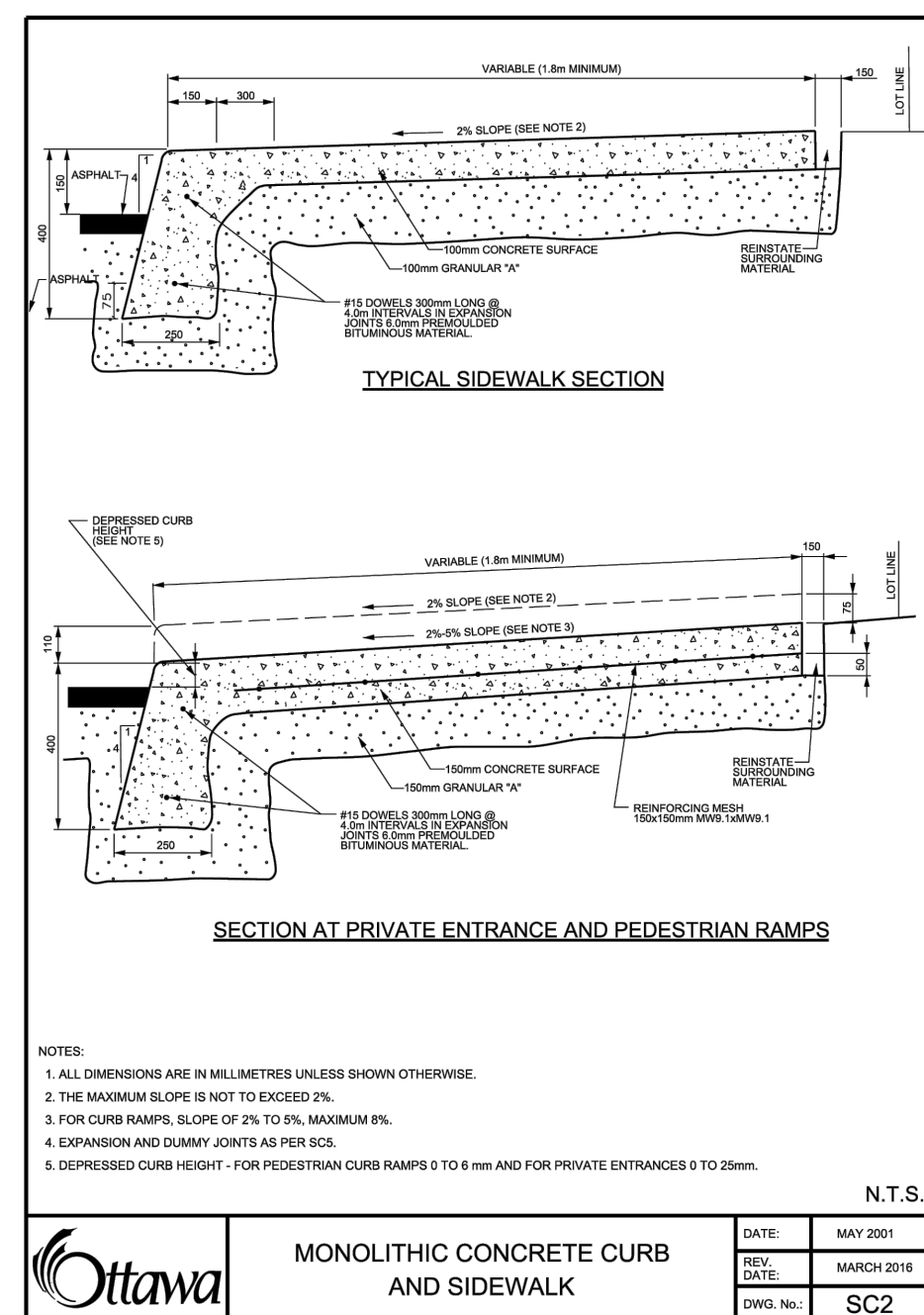
The Contractor shall verify and be responsible for all dimensions. DO NOT scale the drawing - any errors or omissions shall be reported to Stantec without delay.
The Copyrights to all designs and drawings are the property of Stantec. Reproduction or use for any purpose other than that authorized by Stantec is forbidden.

Legend

Andrew McCreight

ANDREW MCCREIGHT
MANAGER, DEVELOPMENT REVIEW CENTRAL
PLANNING, DEVELOPMENT & BUILDING SERVICES
DEVELOPMENT DEPARTMENT, CITY OF OTTAWA

APPROVED
By Andrew McCreight at 7:24 am, Sep 13, 2024



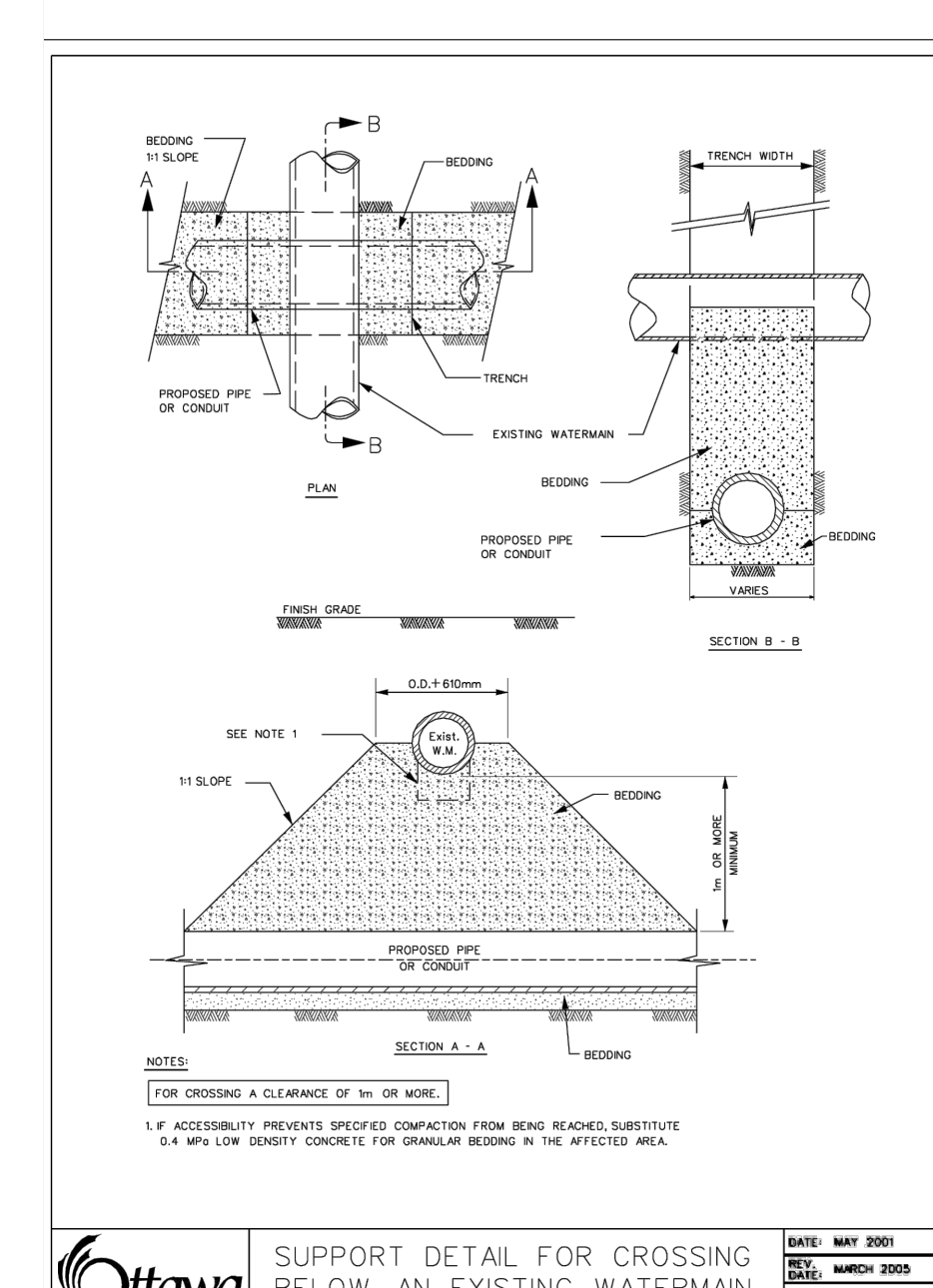
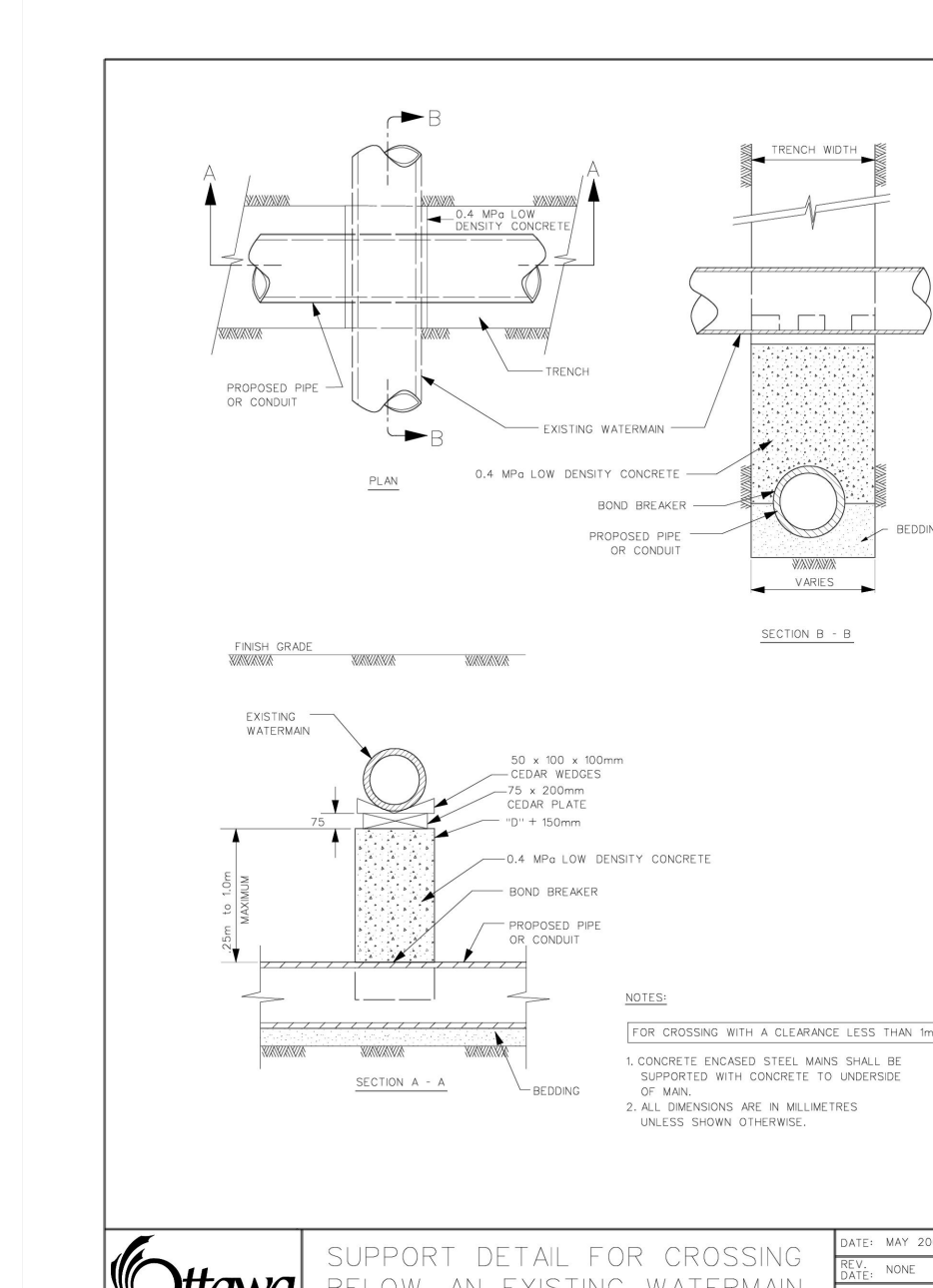
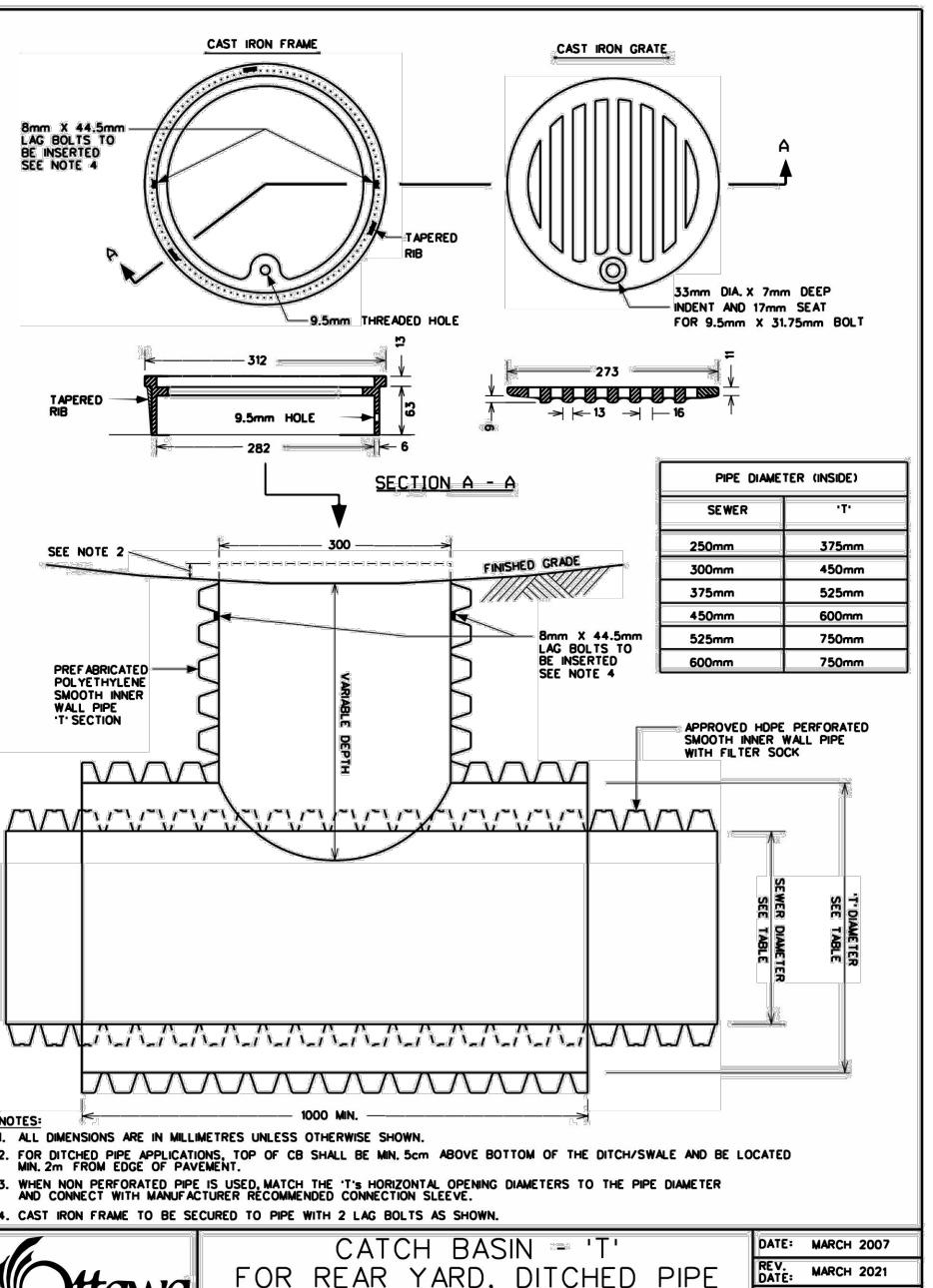
THRUST BLOCK DIMENSION TABLES FOR PVC AND DI PIPE 400mm AND UNDER

DATE: MAY 2001
REV: MARCH 2011
DWG. NO.: W25.4

PIPE DIAMETER	SOIL DESCRIPTION VERY FINE SANDS, SANDY CLAYS, CLAYS			
	A	B	C	D
102	250	250	200	200
152	400	400	250	200
203	550	550	300	400
254	650	650	400	500
305	800	800	450	650
406	1000	1000	600	850

PIPE DIAMETER	SOIL DESCRIPTION SILT, SILT GRAVELS OR CLAYEY SAND GRAVEL WITH LITTLE OR NO FINE SANDS			
	A	B	C	D
102	200	200	200	200
152	250	250	200	200
203	350	350	250	270
254	450	450	300	350
305	500	500	300	400
406	750	750	400	600

PIPE DIAMETER	SOIL DESCRIPTION SANDS, GRAVELS AND GRAVEL-SAND MIXTURES, LITTLE OR NO FINE SANDS			
	A	B	C	D
102	150	150	150	150
152	200	200	200	200
203	300	300	200	230
254	400	400	200	270
305	450	450	300	300
406	650	650	300	450



NO.	DESCRIPTION	BY	CHKD.	DATE
5	ISSUED FOR SPC RE-SUBMISSION	ZW	KS	24.08.19
4	ISSUED FOR FORMAL SPC SUBMISSION	JP	KS	24.06.18
3	REVISED PER CITY COMMENTS	JP	KS	24.05.17
2	REVISED PER CITY COMMENTS	AJT	KS	24.04.05
1	ISSUED FOR REVIEW	AJT	KS	24.01.22

Revision By Appd. YY.MX.DD

File Name: 160401782-08.dwg
Permit-Seal
Date: 24.01.22

Client/Project
REZY PROPERTIES INC.
CENTRETOWN
283-285 MCLEOD STREET
OTTAWA, ON, CANADA

Title
DETAIL SHEET

Project No. 160401782
Drawing No. DS-1
Scale Sheet 7 of 7
Revision 3