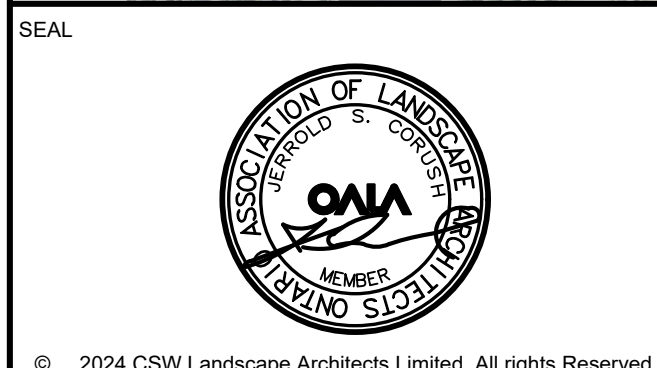
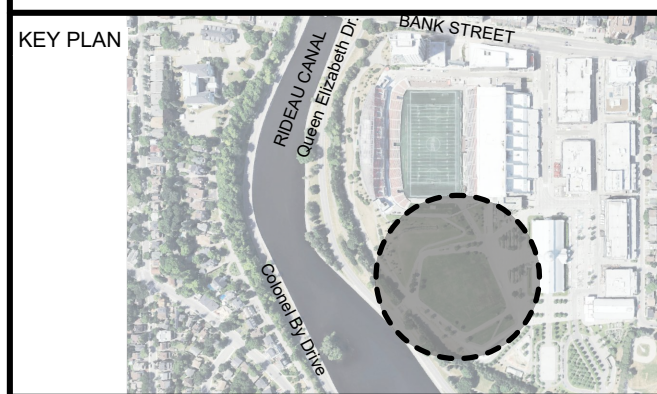


NO	DESCRIPTION	DATE
4	ISSUED FOR CITY SPA COMMENTS	5 SEP. 2024
3	ISSUED FOR SPA	7 AUG. 2024
2	ISSUED FOR CO-ORDINATION	28 JUNE 2024
1.1	ISSUED FOR PRE-CONSULTATION	31 MAY. 2024

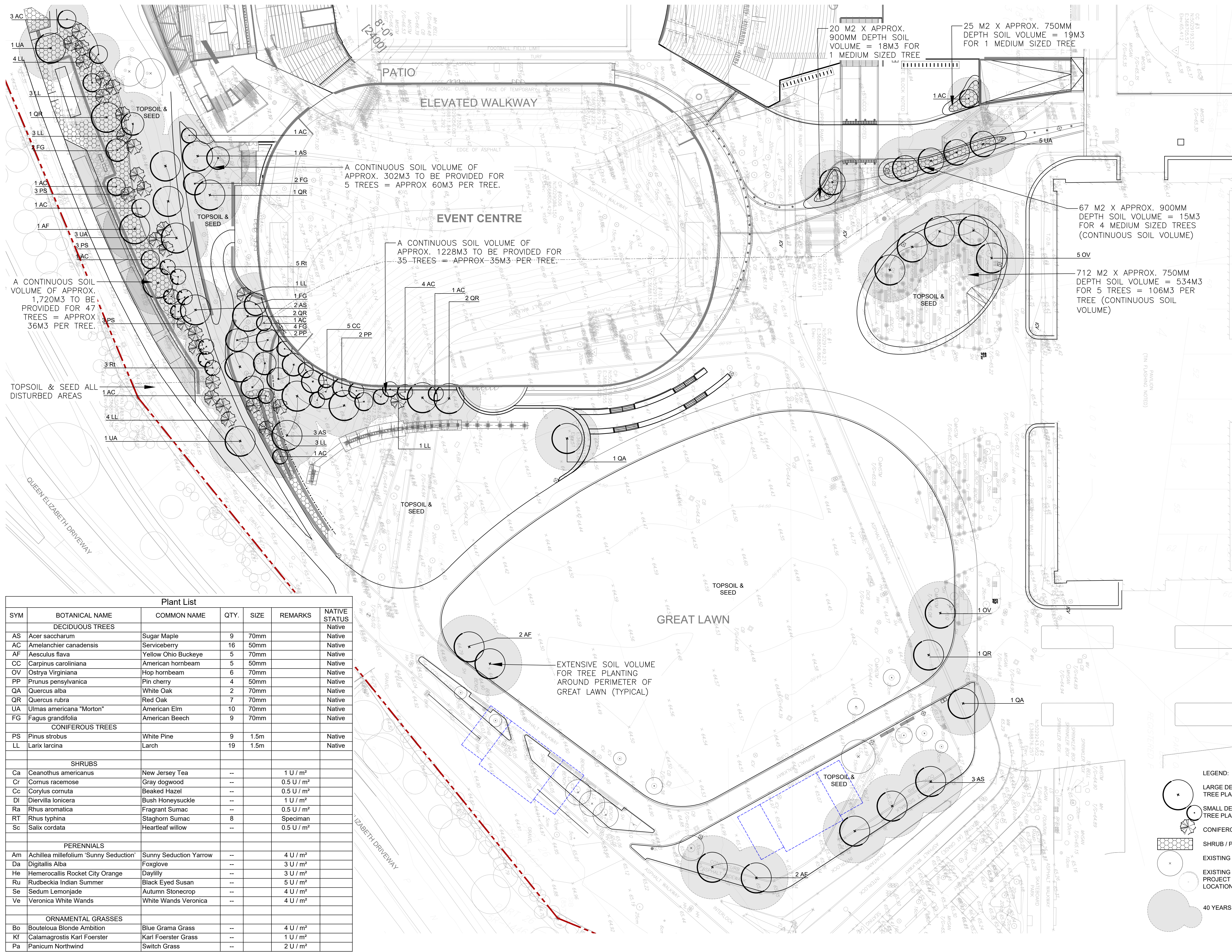
REVISIONS/ ISSUES
 CONTRACTOR SHALL CHECK AND VERIFY ALL DIMENSIONS AND REPORT ANY OMISSIONS OR DISCREPANCIES TO THE ARCHITECT BEFORE PROCEEDING WITH THE WORK.
DO NOT SCALE THE DRAWINGS



© 2024 CSW Landscape Architects Limited. All rights Reserved.
 DRAWN SE/JA
 DATE MAY 2024
 CHECKED JC/CM

LANSDOWNE EVENT CENTRE
 945 & 1015 Bank Street
 Legal Description: Plan # 4R-46535

DWG. TITLE
LANDSCAPE LAYOUT PLAN
 SCALE 1 : 400
 DWG. NO. L1.0
 PROJ. NO. CSW #1766-12

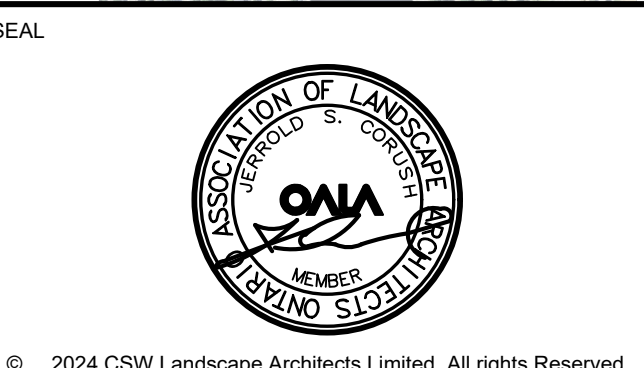


Plant List						
SYM	BOTANICAL NAME	COMMON NAME	QTY.	SIZE	REMARKS	NATIVE STATUS
DECIDUOUS TREES						
AS	<i>Acer saccharum</i>	Sugar Maple	9	70mm		Native
AC	<i>Amelanchier canadensis</i>	Serviceberry	16	50mm		Native
AF	<i>Aesculus flava</i>	Yellow Ohio Buckeye	5	70mm		Native
CC	<i>Carpinus caroliniana</i>	American hornbeam	5	50mm		Native
OV	<i>Ostrya virginiana</i>	Hop hornbeam	6	70mm		Native
PP	<i>Prunus pensylvanica</i>	Pin cherry	4	50mm		Native
QA	<i>Quercus alba</i>	White Oak	2	70mm		Native
QR	<i>Quercus rubra</i>	Red Oak	7	70mm		Native
UA	<i>Ulmus americana "Morton"</i>	American Elm	10	70mm		Native
FG	<i>Fagus grandifolia</i>	American Beech	9	70mm		Native
CONIFEROUS TREES						
PS	<i>Pinus strobus</i>	White Pine	9	1.5m		Native
LL	<i>Larix laricina</i>	Larch	19	1.5m		Native
SHRUBS						
Ca	<i>Ceanothus americanus</i>	New Jersey Tea	--		1 U / m ²	
Cr	<i>Cornus racemosa</i>	Gray dogwood	--		0.5 U / m ²	
Cc	<i>Corylus cornuta</i>	Beaked Hazel	--		0.5 U / m ²	
DI	<i>Dierilla lonicera</i>	Bush Honeysuckle	--		1 U / m ²	
Ra	<i>Rhus aromatica</i>	Fragrant Sumac	--		0.5 U / m ²	
RT	<i>Rhus typhina</i>	Staghorn Sumac	8		Speciman	
Sc	<i>Salix cordata</i>	Heartleaf willow	--		0.5 U / m ²	
PERENNIALS						
Am	<i>Achillea millefolium "Sunny Seduction"</i>	Sunny Seduction Yarrow	--		4 U / m ²	
Da	<i>Digitalis Alba</i>	Foxglove	--		3 U / m ²	
He	<i>Hemerocallis Rocket City Orange</i>	Daylily	--		3 U / m ²	
Ru	<i>Rudbeckia Indian Summer</i>	Black Eyed Susan	--		5 U / m ²	
Se	<i>Sedum Lemonjade</i>	Autumn Stoncrop	--		4 U / m ²	
Ve	<i>Veronica White Wands</i>	White Wands Veronica	--		4 U / m ²	
ORNAMENTAL GRASSES						
Bo	<i>Bouteloua Blonde Ambition</i>	Blue Grama Grass	--		4 U / m ²	
Kf	<i>Calamagrostis Karl Foerster</i>	Karl Foerster Grass	--		1 U / m ²	
Pa	<i>Panicum Northwind</i>	Switch Grass	--		2 U / m ²	

4	ISSUED FOR CITY SPA COMMENTS	5 SEP 2024
3	ISSUED FOR SPA	7 AUG 2024
2	ISSUED FOR CO-ORDINATION	28 JUNE 2024
1	ISSUED FOR PRE-CONSULTATION	31 MAY 2024

REVISIONS/ ISSUES

CONTRACTOR SHALL CHECK AND VERIFY ALL DIMENSIONS AND REPORT ANY OMISSIONS OR DISCREPANCIES TO THE ARCHITECT BEFORE PROCEEDING WITH THE WORK. DO NOT SCALE THE DRAWINGS



© 2024 CSW Landscape Architects Limited. All rights reserved.

DRAWN	SE/JA
DATE	MAY 2024
CHECKED	JC/CM

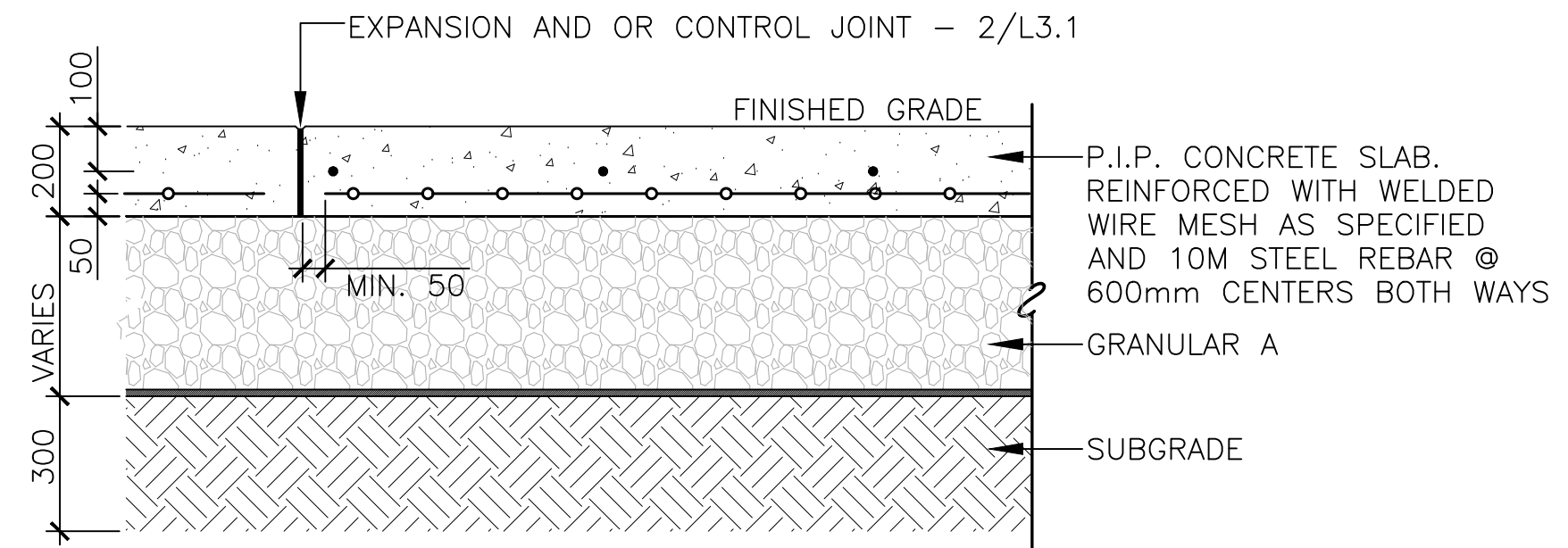
LANSDOWNE
EVENT CENTRE

945 & 1015 Bank Street
Legal Description: Plan # 4R-46535

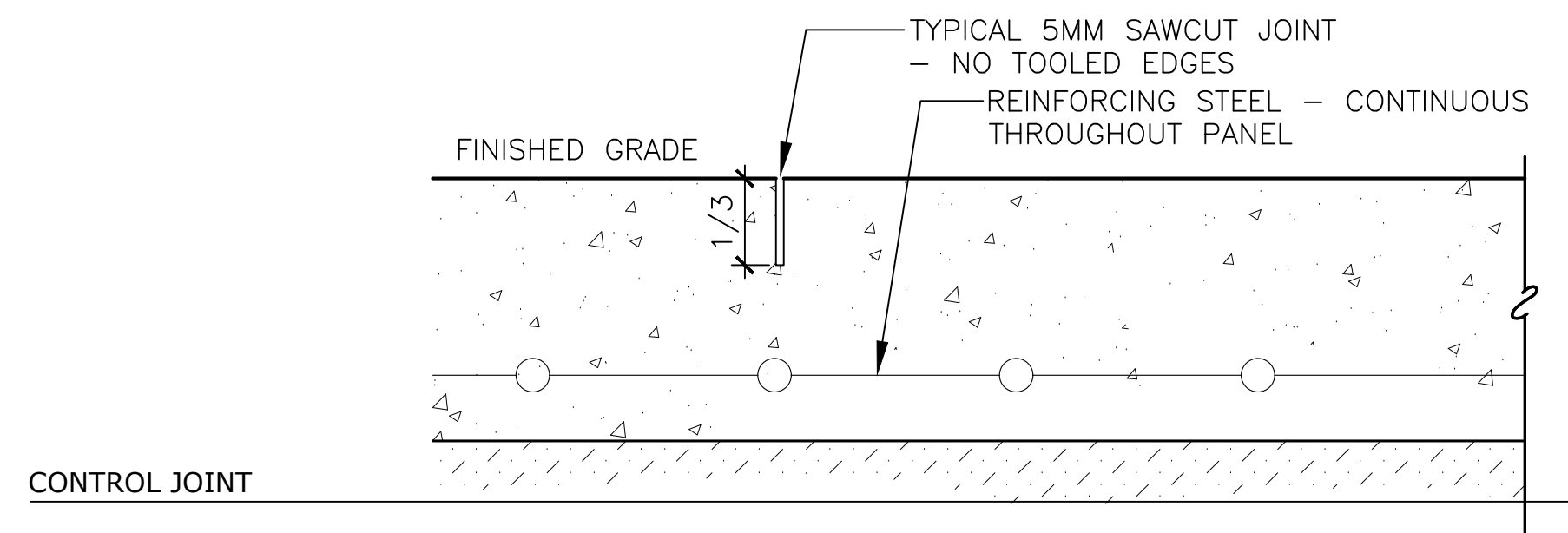
DWG. TITLE
LANDSCAPE PLANTING PLAN

SCALE	1 : 400	DWG. NO.	L2.0
PROJ. NO.	CSW #1766-12		

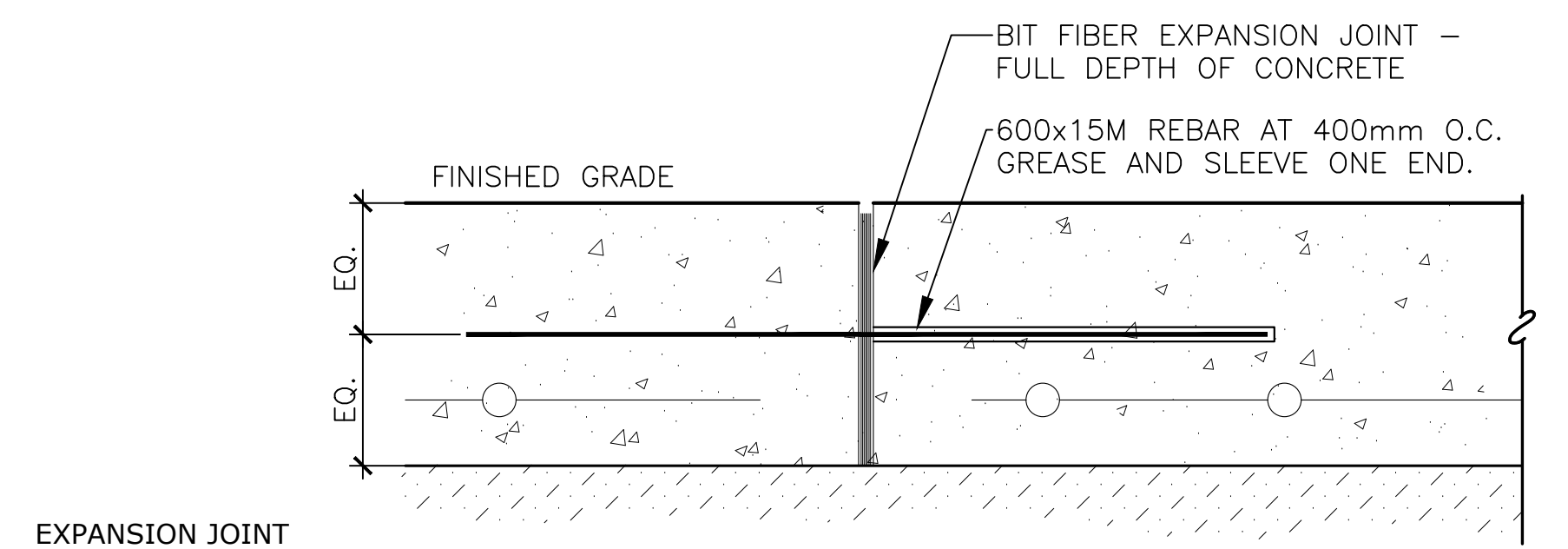
- NOTES:
- FINISHES AS SPECIFIED: REFER TO PATTERNING PLAN.
 - REFER TO DETAIL 2/L3.1 FOR JOINTING INFORMATION
 - WELDED WIRE MESH - 50mm FROM BOTTOM OF PROFILE
 - REINFORCING BARS - CENTRED IN PROFILE.



1 CONCRETE SURFACE - REINFORCED
3.1 SCALE - 1:15



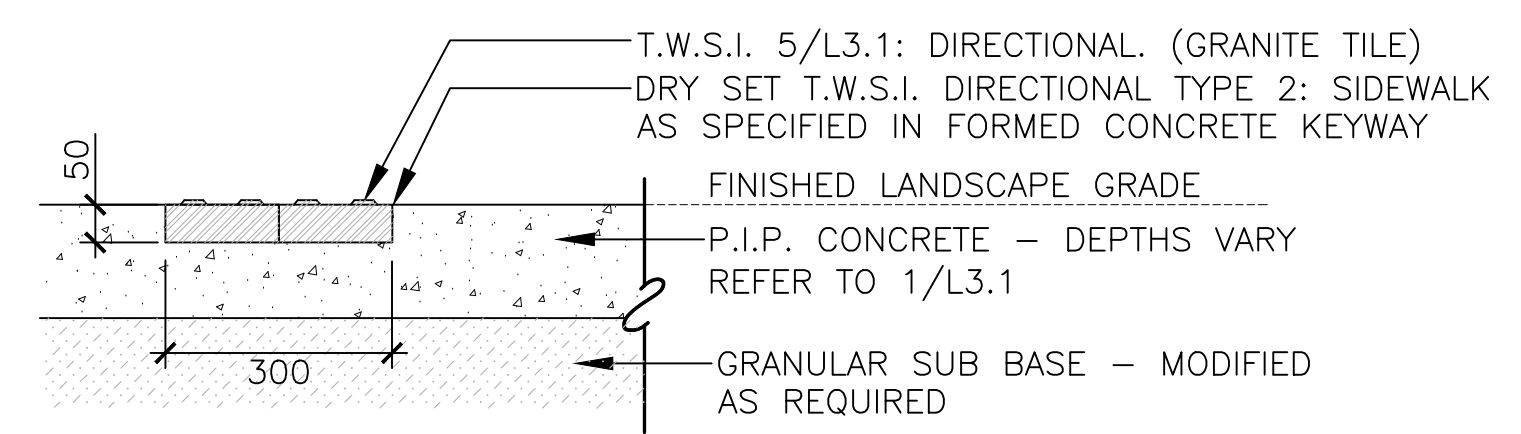
CONTROL JOINT



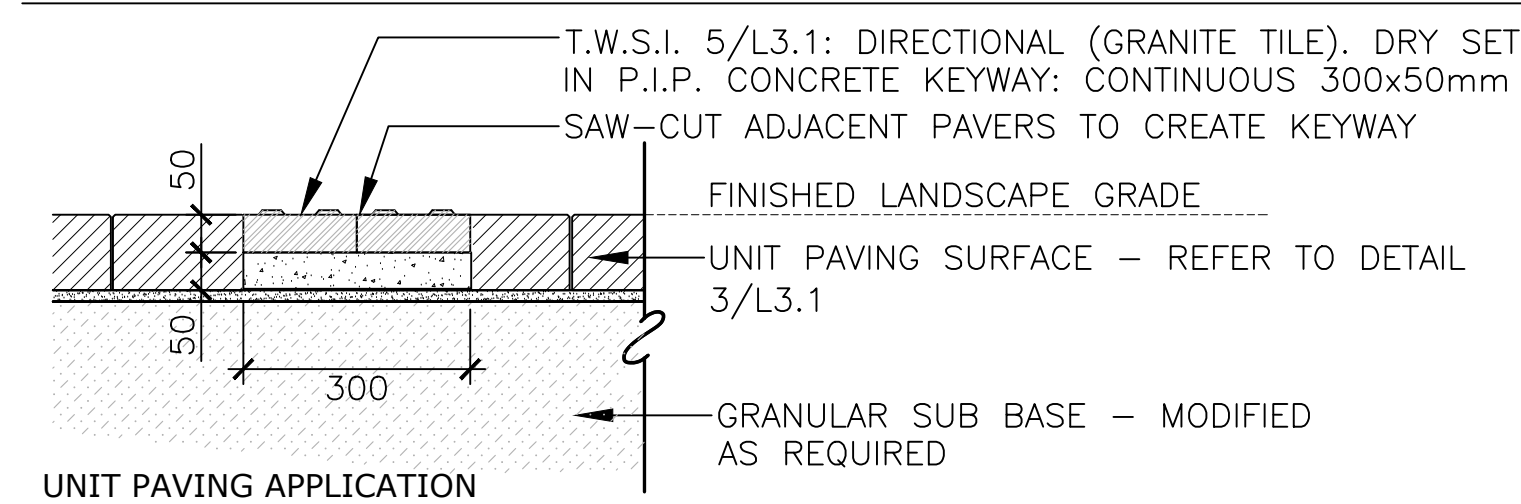
EXPANSION JOINT

2 TYPICAL CONCRETE JOINTS - 150mm
3.1 SCALE - 1:5

- NOTES:
- INSTALL T.W.S.I. TILE FLUSH WITH FINISHED CONCRETE SURFACE AS PER MANUFACTURER'S INSTRUCTIONS.
 - REFER TO PATTERNING ENLARGEMENT DRAWINGS FOR PLACEMENT AND SPACING - L1.0
 - INSTALL TILES IN CONTINUOUS STRAIGHT AND TRUE LINE. JOINTING BETWEEN TILES TO BE PERFORMED AS PER MANUFACTURER'S RECOMMENDATIONS.

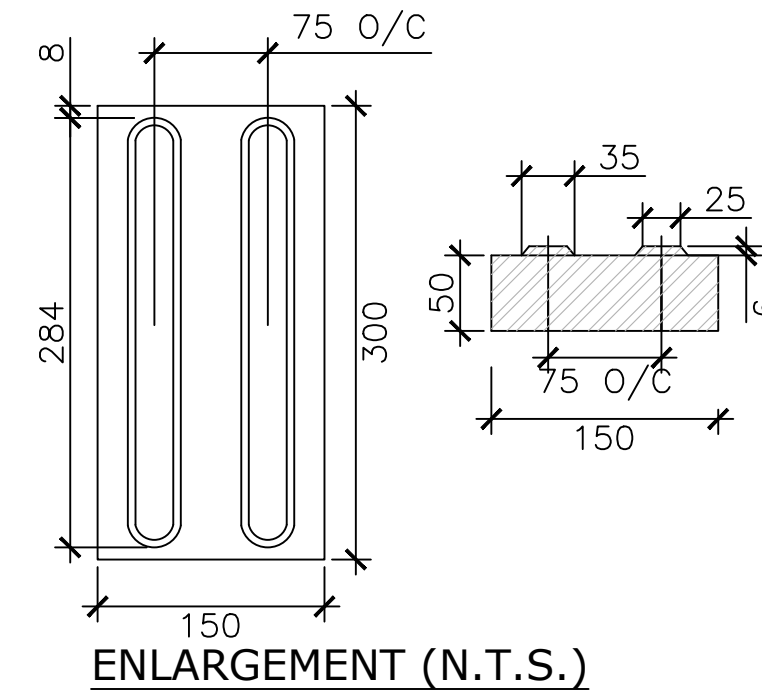


CONCRETE APPLICATION



UNIT PAVING APPLICATION

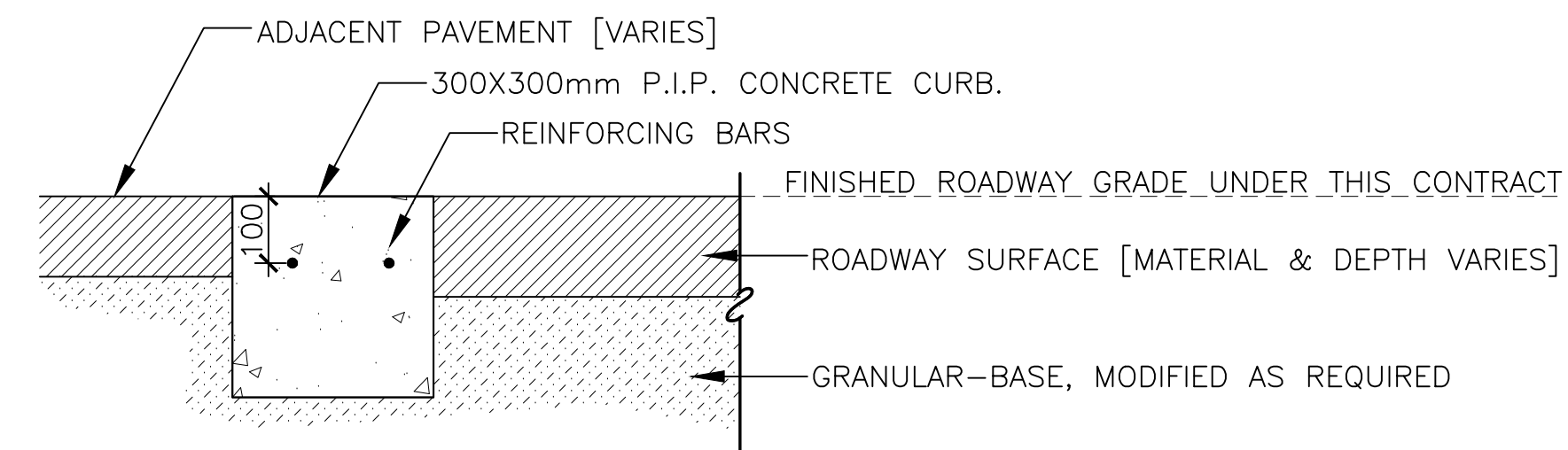
4 TWSI TYPE 1: DIRECTIONAL - SIDEWALK
3.1 SCALE - 1:10



ENLARGEMENT (N.T.S.)

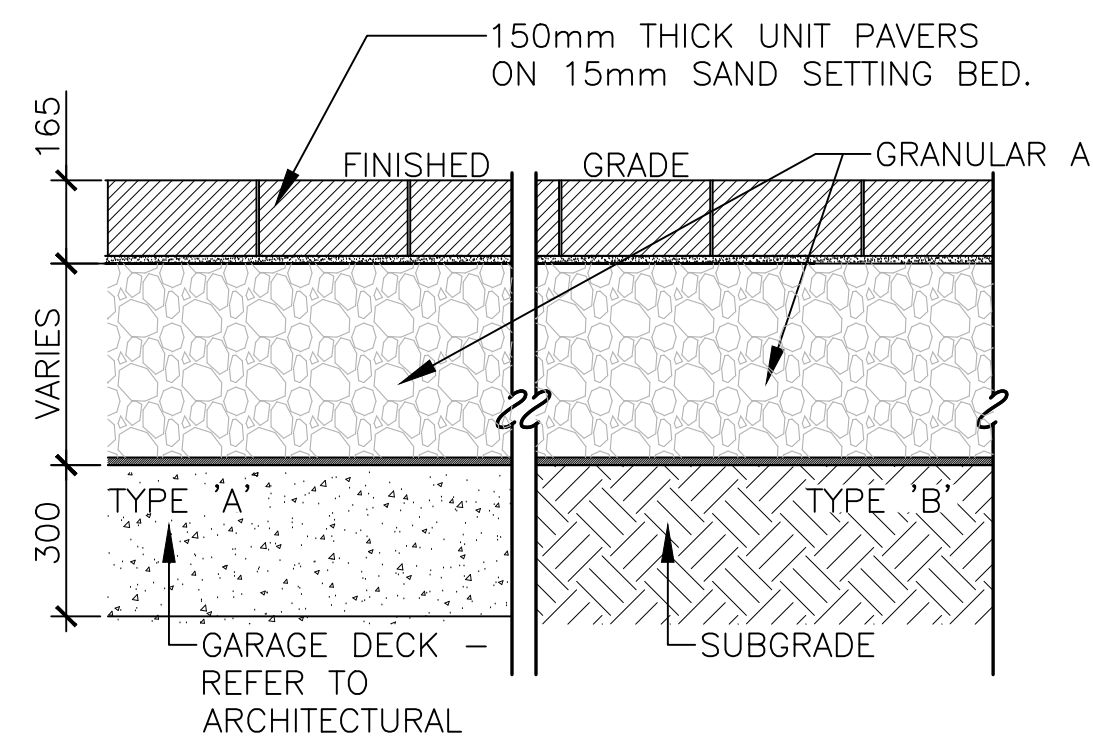
5 TWSI GRANITE TILE - ENLARGEMENT
3.1 SCALE - N.T.S.

- NOTES:
- PROVIDE DOWELED BIT, FIBRE EXPANSION JOINT BETWEEN CURB AND ALL ADJACENT CONCRETE SURFACES.
 - SAW CUT CONTROL JOINTS FULL WIDTH OF CURB AT EVERY 3m O.C.
 - TOP OF CURB TO BE FLUSH WITH ADJACENT PAVEMENTS BOTH SIDES.
 - REINFORCE CURB WITH CONTINUOUS EPOXY COATED 10M STEEL BARS

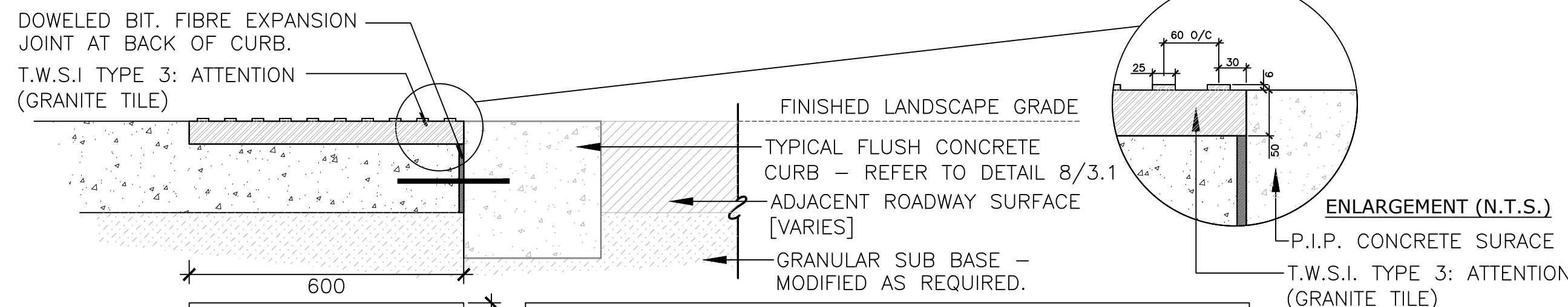


8 ROAD CURB- FLUSH
3.1 SCALE - 1:10

- NOTES:
- TYPICAL PROFILE APPLIES TO ALL UNIT PAVING TYPES.
 - PATTERNS AND LAYOUT VARY BY PAVER TYPE - REFER TO LAYOUT/PATTERNING PLANS.



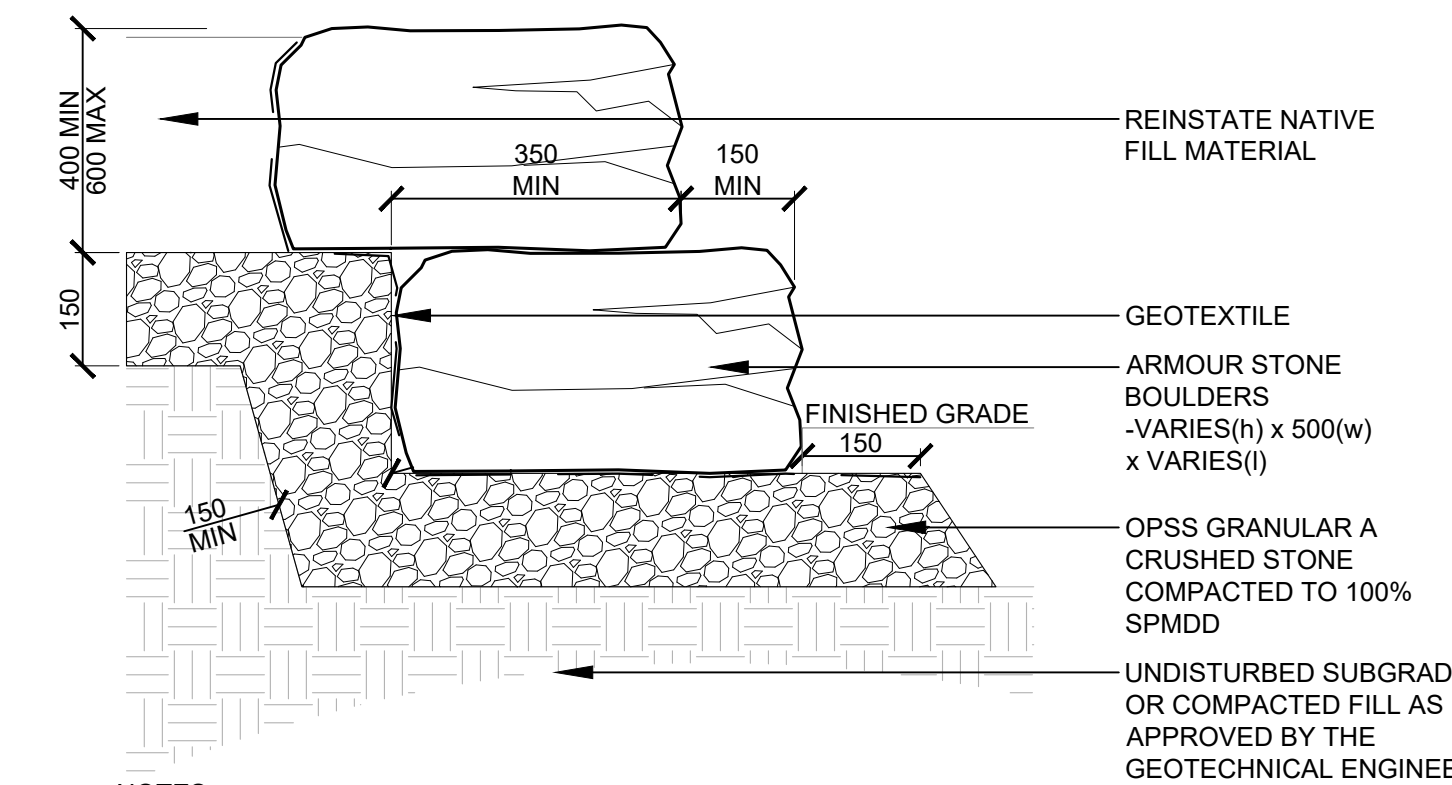
3 UNIT PAVING - TYPICAL PROFILE
3.1 SCALE - 1:15



PLAN

- NOTES:
- INSTALL T.W.S.I. ATTENTION TILE FLUSH WITH FINISHED CONCRETE SURFACE AS PER MANUFACTURER'S INSTRUCTIONS.
 - REFER TO L1.0 FOR LAYOUT
 - CONTRACTOR TO SUPPLY CURVED TILE UNITS TO MATCH ROADWAY RADIUS' AS NOTED ON LAYOUT PLANS. CUTTING OF TILES ON SITE WILL NOT BE ACCEPTED.

6 TWSI TYPE 2: ATTENTION
3.1 SCALE - 1:10



- NOTES:
- ARMOUR STONE WALL TO STEP AS REQUIRED. REFER TO GRADING PLAN FOR ELEVATIONS
 - DO NOT SLOPE TOP OF WALL
 - ENSURE ALL EXPOSED EDGES ARE BLUNTED/EASED TO TO 6mm MINIMUM
 - MAXIMUM GAP BETWEEN BOULDERS IS 50mm
 - FILL GAPS WITH GEOTEXTILE AND COMPACTED GRANULAR AS REQUIRED
 - MAXIMUM EXPOSED FACE/STEP IS 550mm (TYPICAL)
 - EXCAVATION AND SUBGRADE CONDITION TO BE REVIEWED BY GEOTECHNICAL ENGINEER FOR WALLS OVER 1000 MM - REFER TO STRUCTURAL/GEOTECH (STAMP DRAWING)

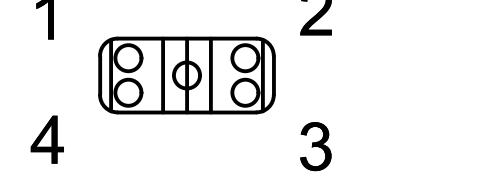
9 ARMOR STONE RETAINING WALL
3.1 SCALE - 1:10

NO.	DESCRIPTION	DATE
3	ISSUED FOR CITY SPA COMMENTS	5 SEP 2024
2	ISSUED FOR SPA	7 AUG 2024
1	ISSUED FOR PRE-CONSULTATION	31 MAY 2024

NO.	DESCRIPTION	DATE

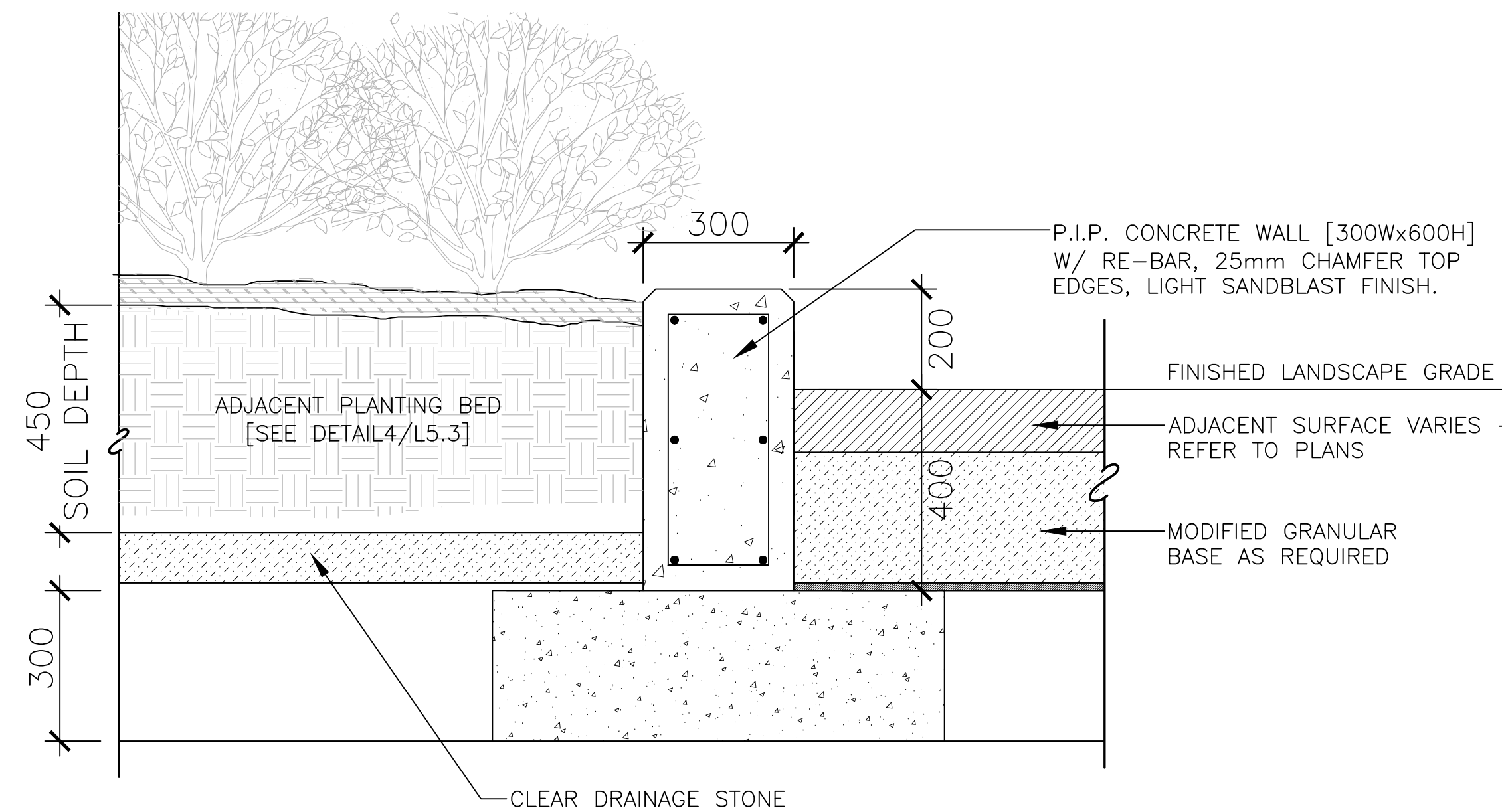
REVISIONS/ ISSUES

CONTRACTOR SHALL CHECK AND VERIFY ALL DIMENSIONS AND REPORT ANY OMISSIONS OR DISCREPANCIES TO THE ARCHITECT BEFORE PROCEEDING WITH THE WORK. DO NOT SCALE THE DRAWINGS

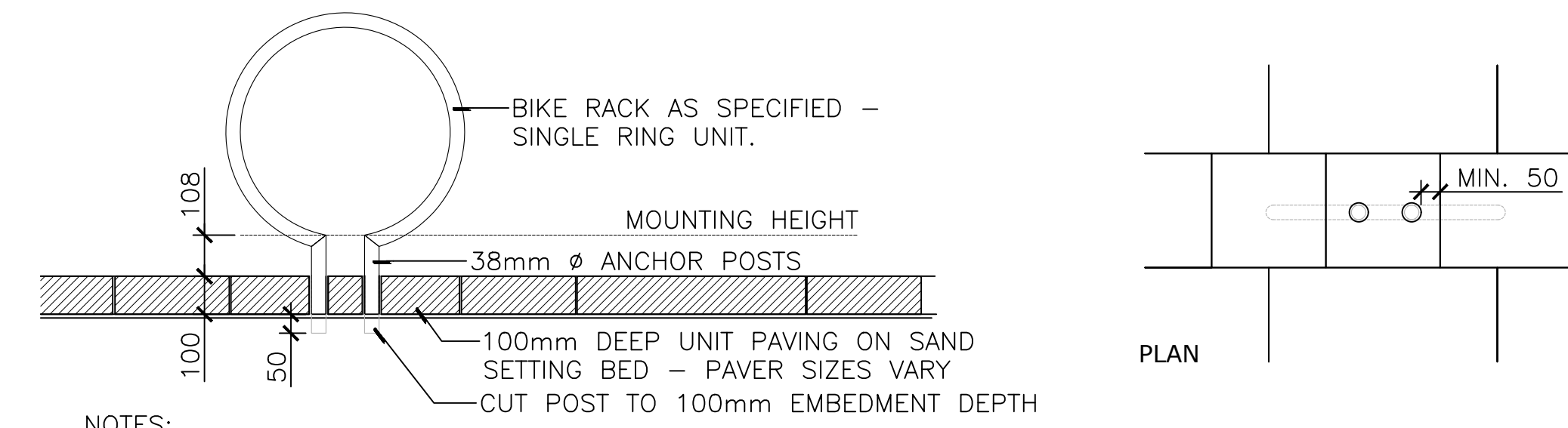


DRAWN	SE/JA
DATE	MAY 2024
CHECKED	JC/CM

**LANDSDOWNE
EVENT CENTRE**
945 & 1015 Bank Street
Legal Description: Plan # 4R-46535
DWG. TITLE
LANDSCAPE DETAILS
PROPOSED DEVELOPMENT
SCALE AS SHOWN DWG. NO. L3.1
PROJ. NO. CSW #1766-12



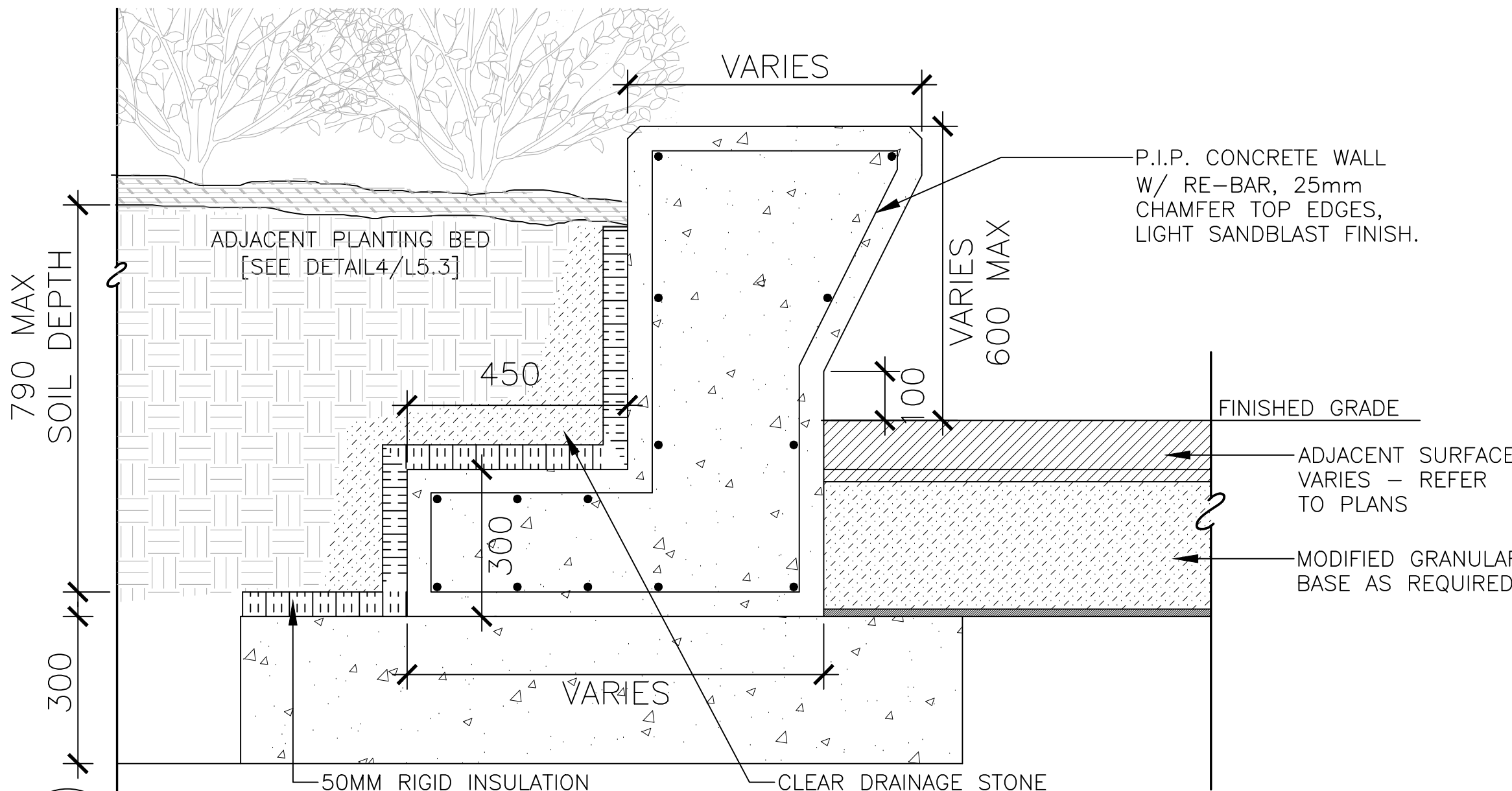
1 PLANTER CURB - ROAD SIDE
3.2 SCALE - 1:10



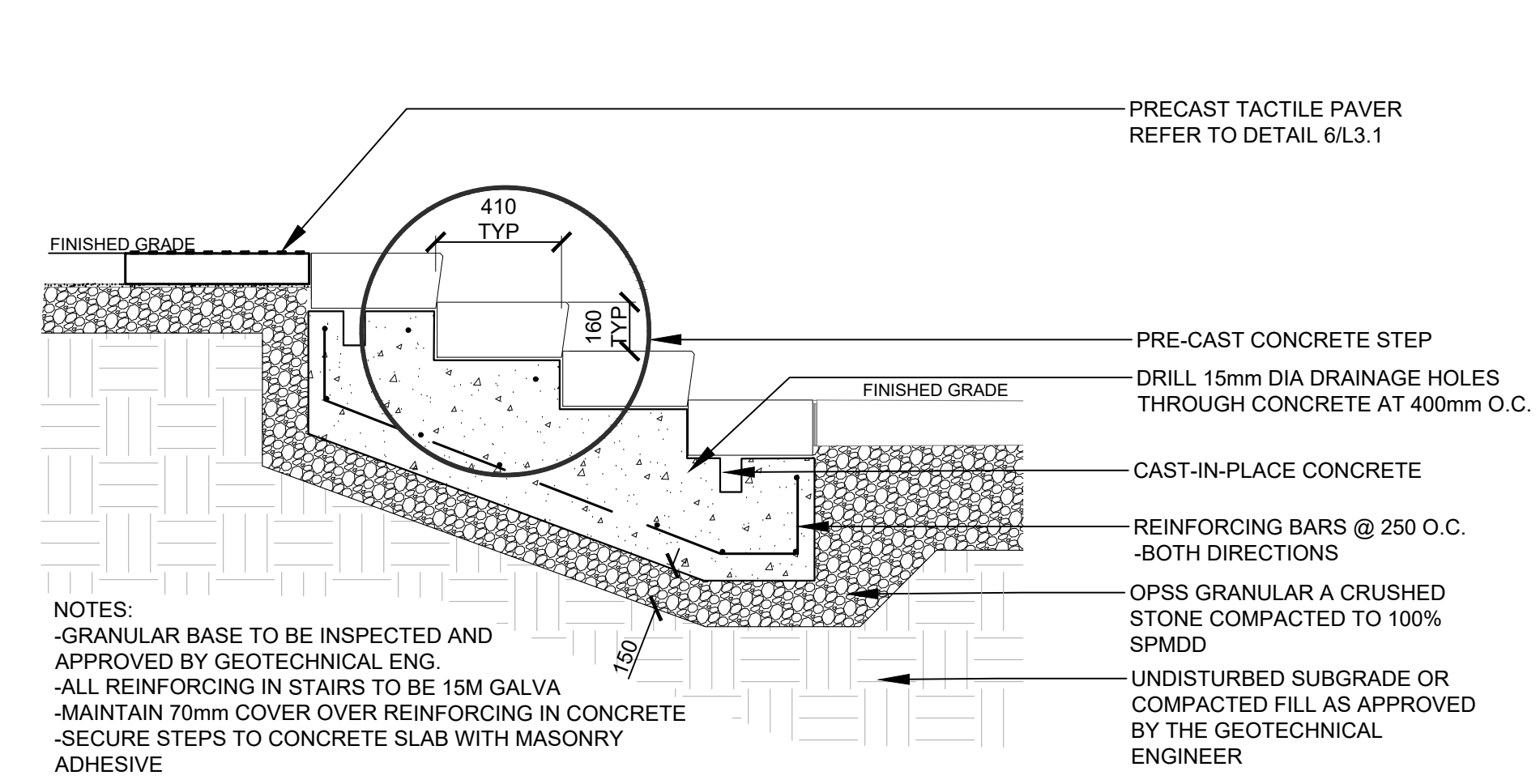
4 BIKE RING MOUNTING - UNIT PAVING CONDITION
3.2 SCALE - 1:15

NOTES:

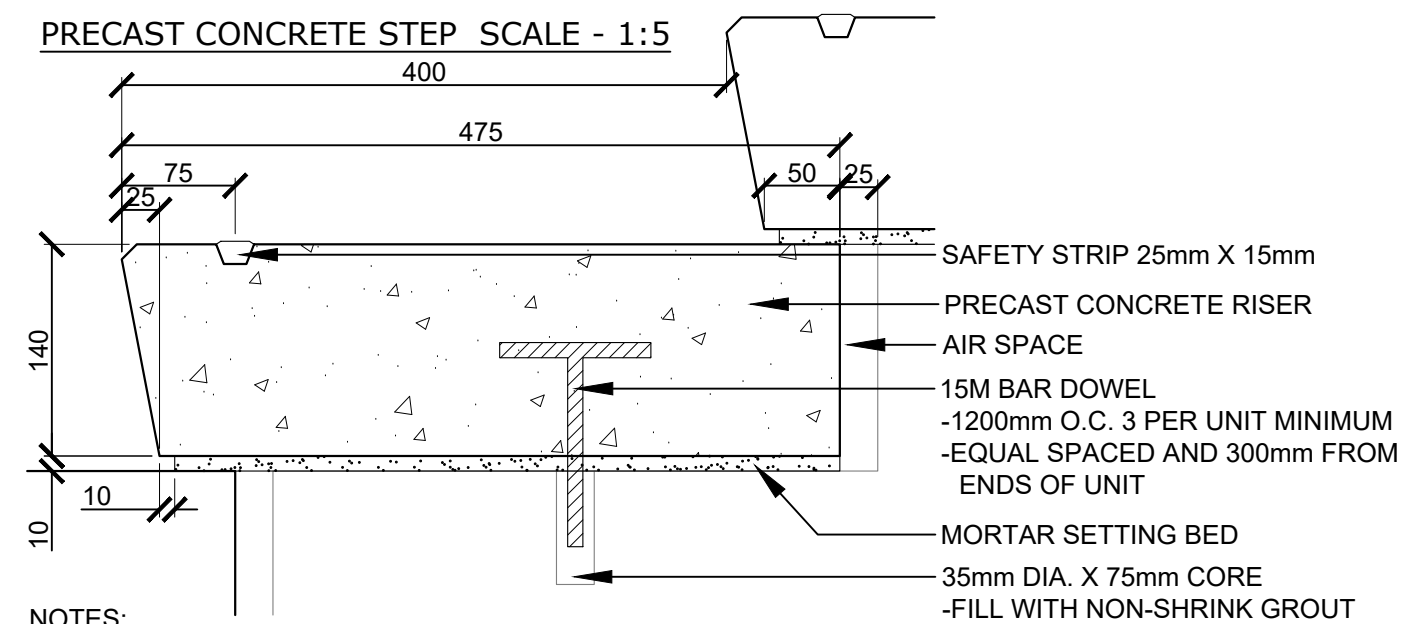
- CORE AND GROUT ANCHOR POSTS INTO 50mm DIA HOLE.
- INSTALL BIKE RACKS PLUMB.
- BOND IN PLACE WITH NON-SHRINK GROUT.
- TYPICAL EMBEDMENT DEPTH TO BE 150mm. IN UNIT PAVING - CORE FULL DEPTH OF PAVER AND CUT ANCHOR POSTS TO SEAT BIKE RACK ASSEMBLY AT MOUNTING HEIGHT AS SHOWN.
- IN UNIT PAVING CONDITION ENSURE MIN. 50mm COVER FROM CORED HOLE TO EDGE OF PAVER. WHERE PAVERS ARE LESS THAN 300x300mm IN SURFACE ARE - EPOXY ADJACENT PAVERS TOGETHER TO FORM SUFFICIENT PAVEMENT FOUNDATION.



2 RAISED PLANTER WALL - RAISED PODIUM
3.2 SCALE - 1:10



3 PRECAST CONCRETE STEPS ON C.I.P. FOOTING
3.2



PRECAST CONCRETE STEP SCALE - 1:5

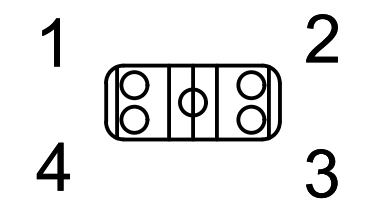
NOTES:

- ALL RISERS AS PART OF SET OF STAIRS SHALL HAVE THE SAME HEIGHT AND WIDTH OF TREAD
- SAFETY STRIP
- CARBORUNDUM / EPOXY MIX
- RAISED TEXTURE SET INTO EACH STAIR TREAD
- TERMINATE SAFETY STRIP 50mm FROM EDGE OF STAIRS
- SLOPE TREADS TO DRAIN AT 1% (ENSURE POSITIVE DRAINAGE ON ALL TREADS)
- PRECAST UNITS TO HAVE MEDIUM SANDBLAST FINISH
- CONTRACTOR TO SUBMIT SHOP DRAWINGS FOR REVIEW PRIOR TO FABRICATION

NO.	DESCRIPTION	DATE
3	ISSUED FOR CITY SPA COMMENTS	5 SEP 2024
2	ISSUED FOR SPA	7 AUG 2024
1	ISSUED FOR PRE-CONSULTATION	31 MAY 2024

REVISIONS/ ISSUES

CONTRACTOR SHALL CHECK AND VERIFY ALL DIMENSIONS AND REPORT ANY OMISSIONS OR DISCREPANCIES TO THE ARCHITECT BEFORE PROCEEDING WITH THE WORK. **DO NOT SCALE THE DRAWINGS**



© 2024 CSW Landscape Architects Limited. All rights Reserved.

DRAWN	SE/JA
DATE	MAY 2024
CHECKED	JC/CM

LANDSDOWNE EVENT CENTRE
 945 & 1015 Bank Street
 Legal Description: Plan # 4R-46535

DWG. TITLE
**LANDSCAPE DETAILS
 PROPOSED DEVELOPMENT**

SCALE	DWG. NO.
AS SHOWN	L3.2
PROJ. NO.	CSW #1766-12

