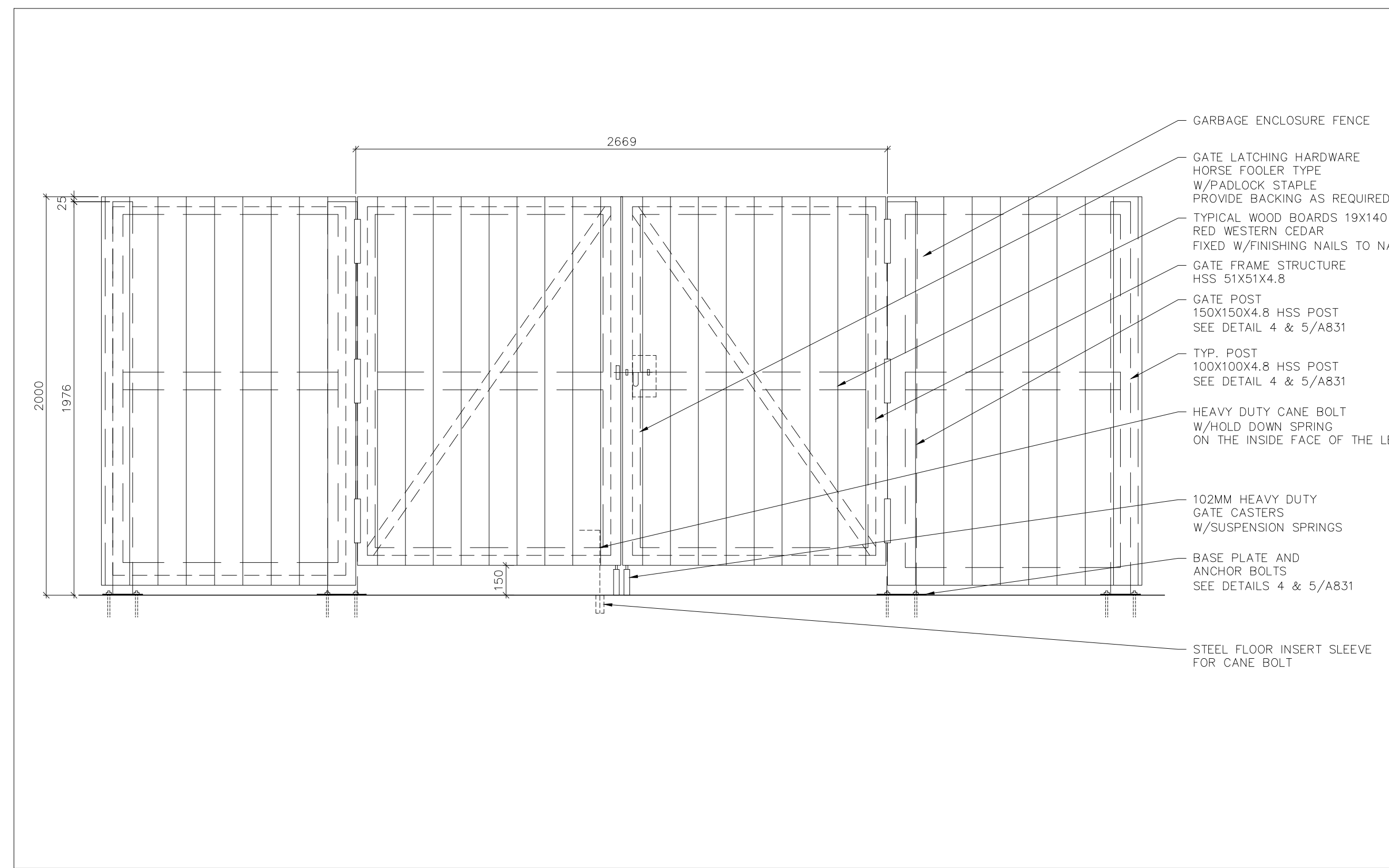
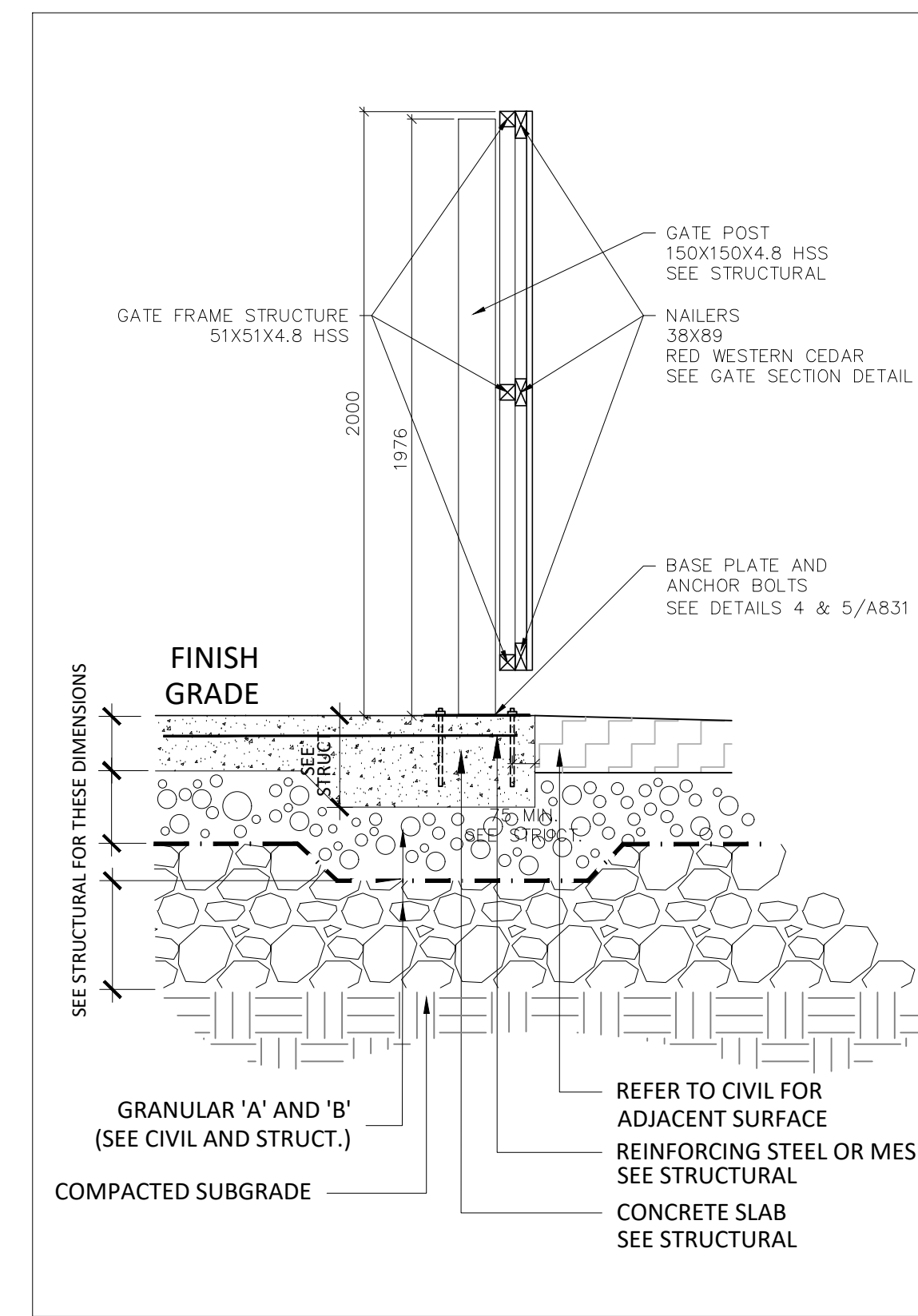


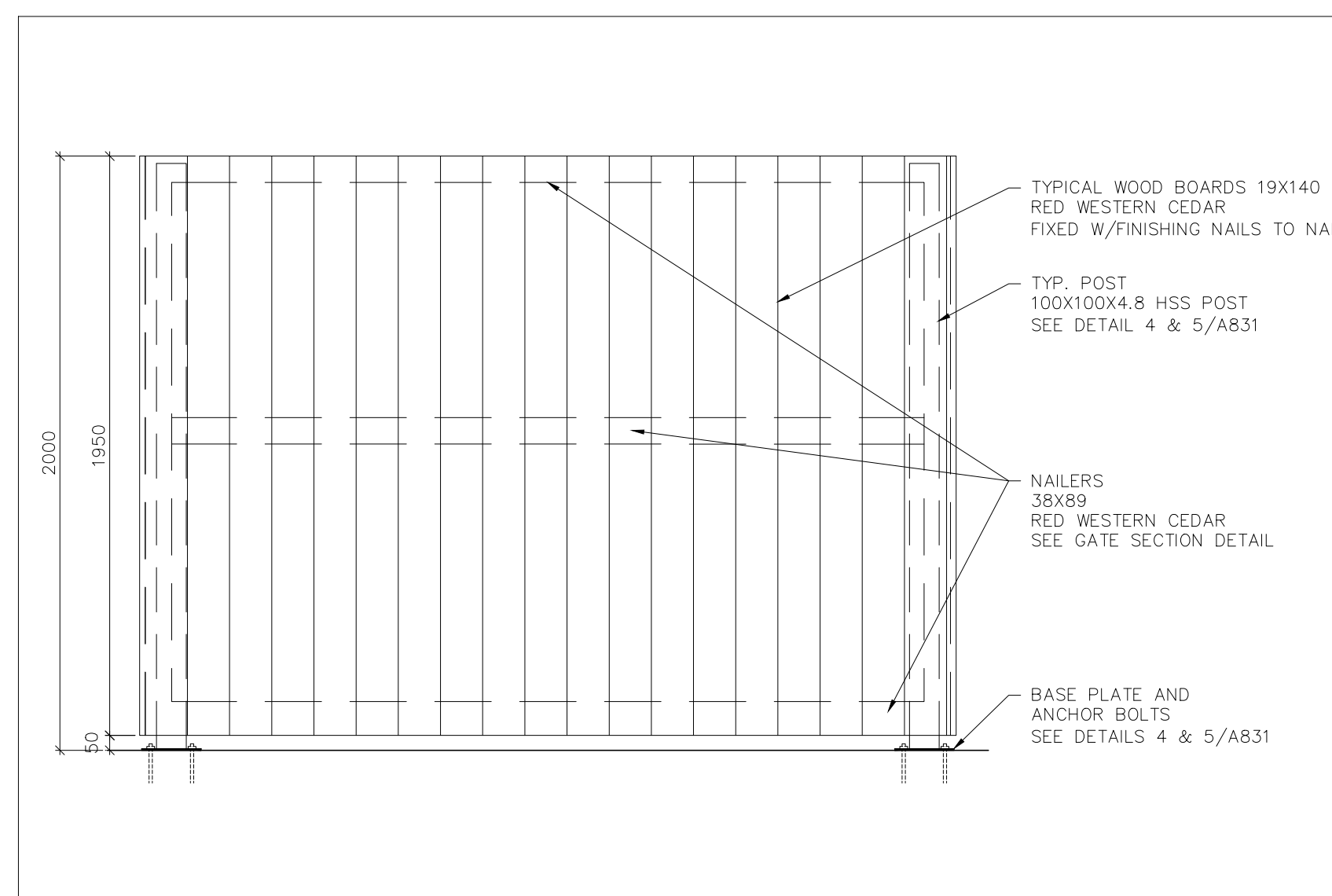
1 GARBAGE ENCLOSURE FLOOR PLAN
A820 SCALE: 1:40



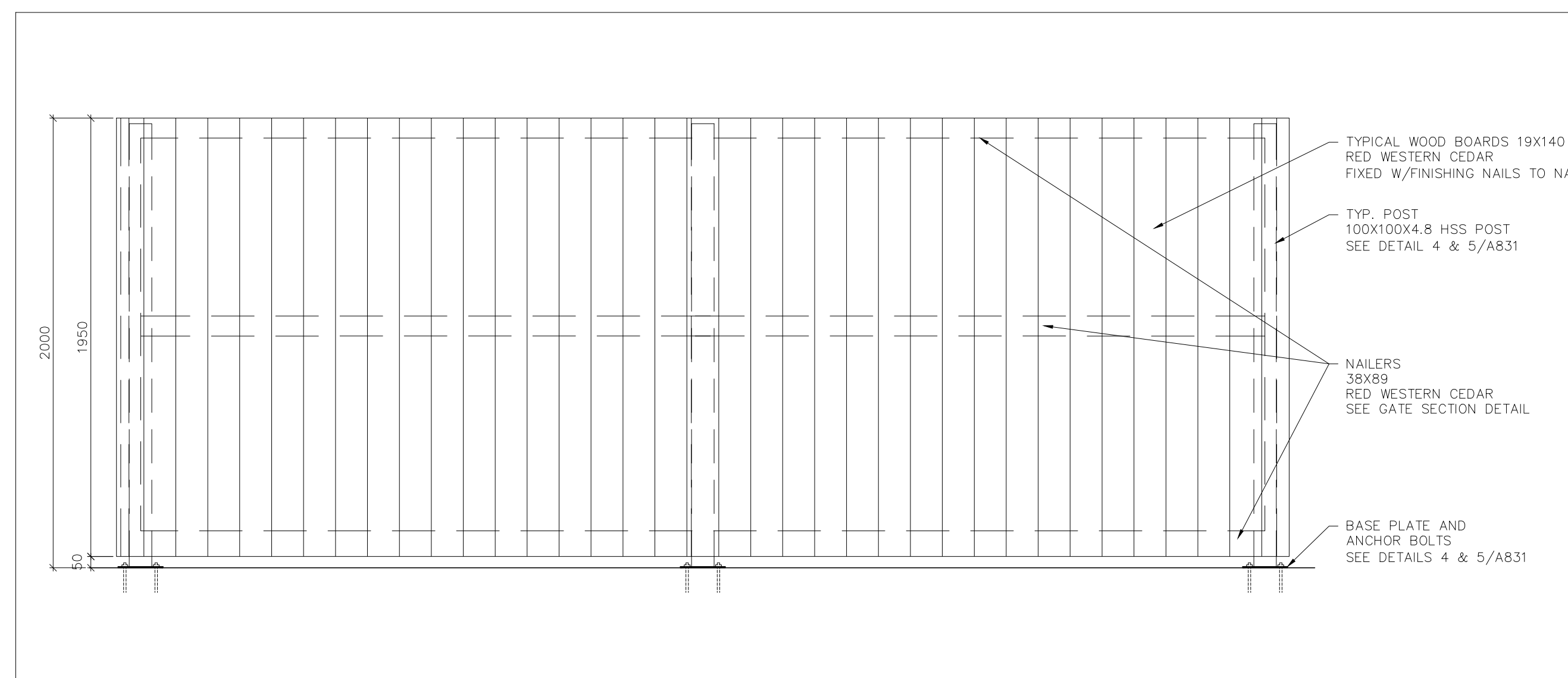
2 GATE VIEW - EAST ELEVATION
A820 SCALE: 1:20



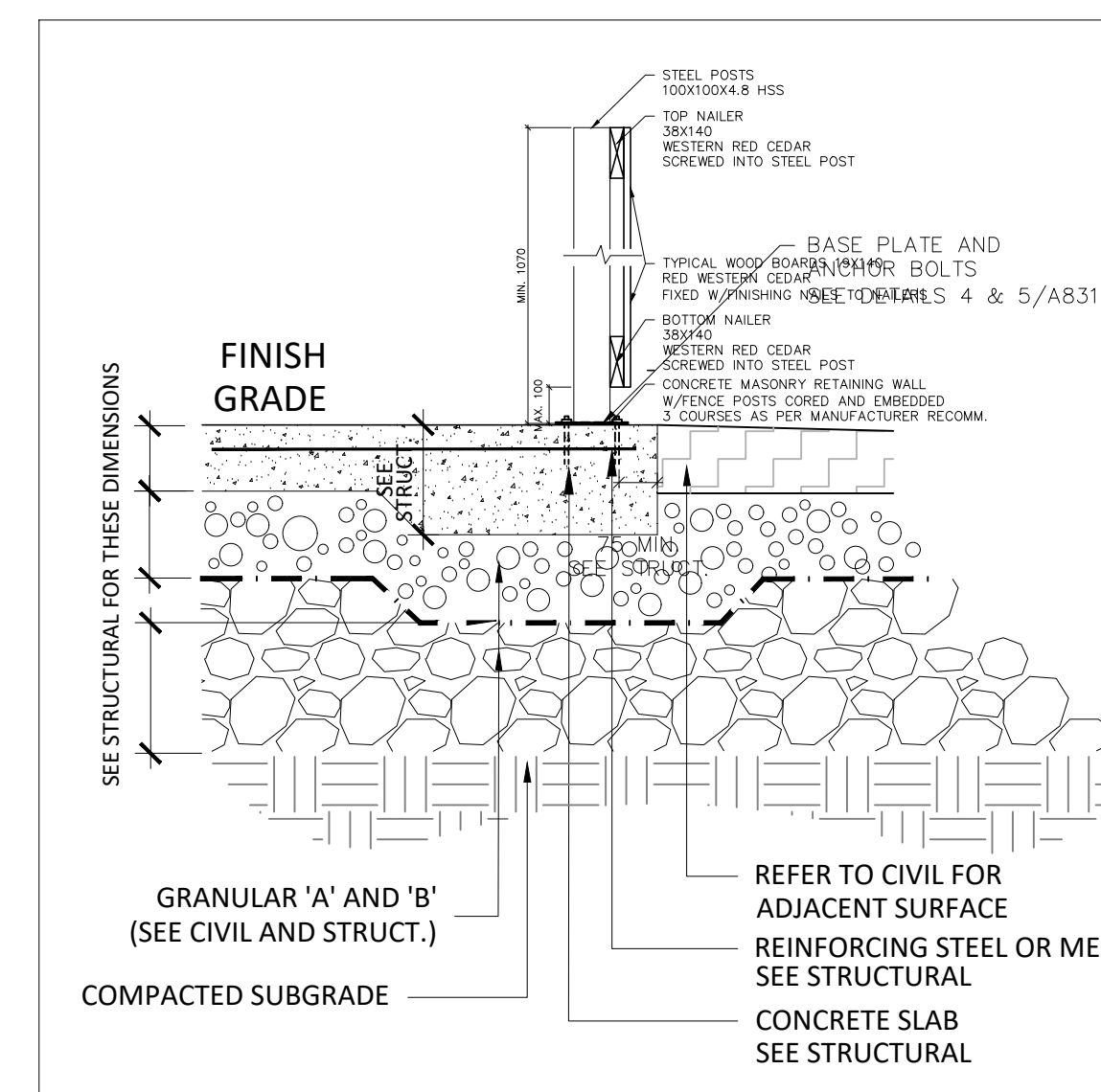
5 GARB. ENCL. GATE & GATE POST DETAIL
A820 SCALE: 1:20



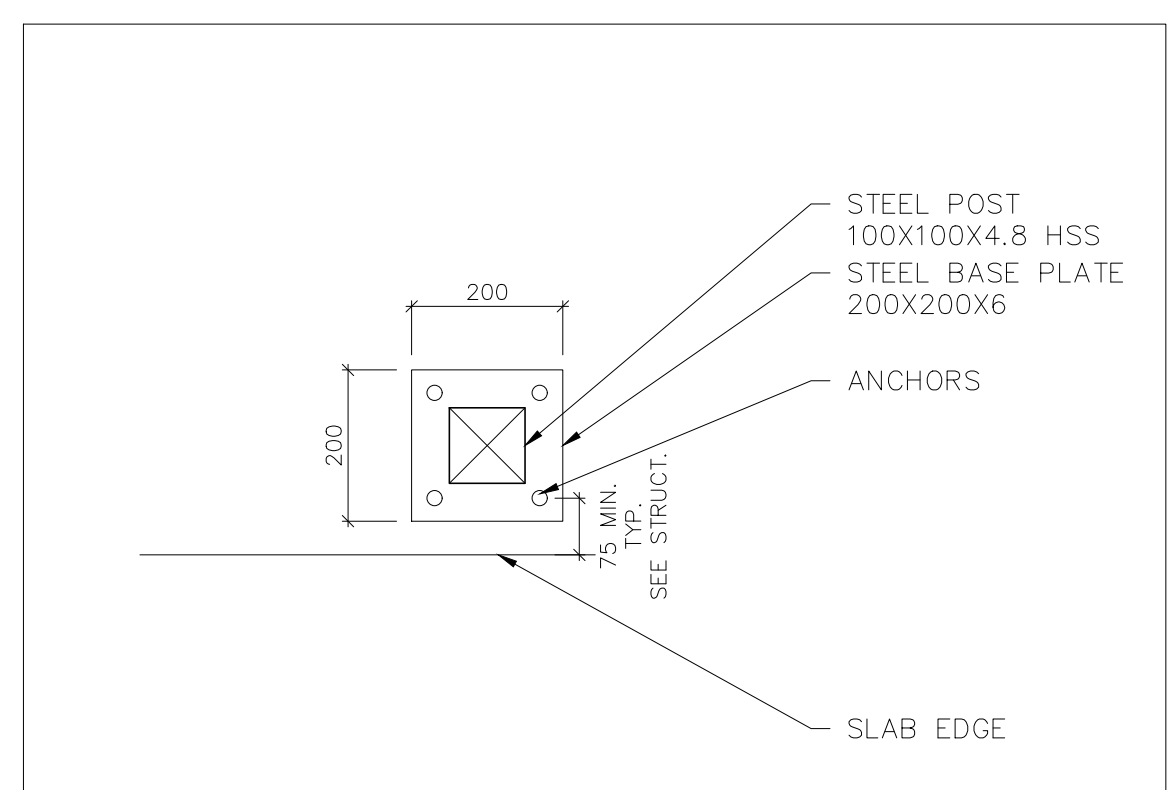
3 NORTH & SOUTH ELEVATION - FENCE VIEW (FROM OUTSIDE)
A820 SCALE: 1:20



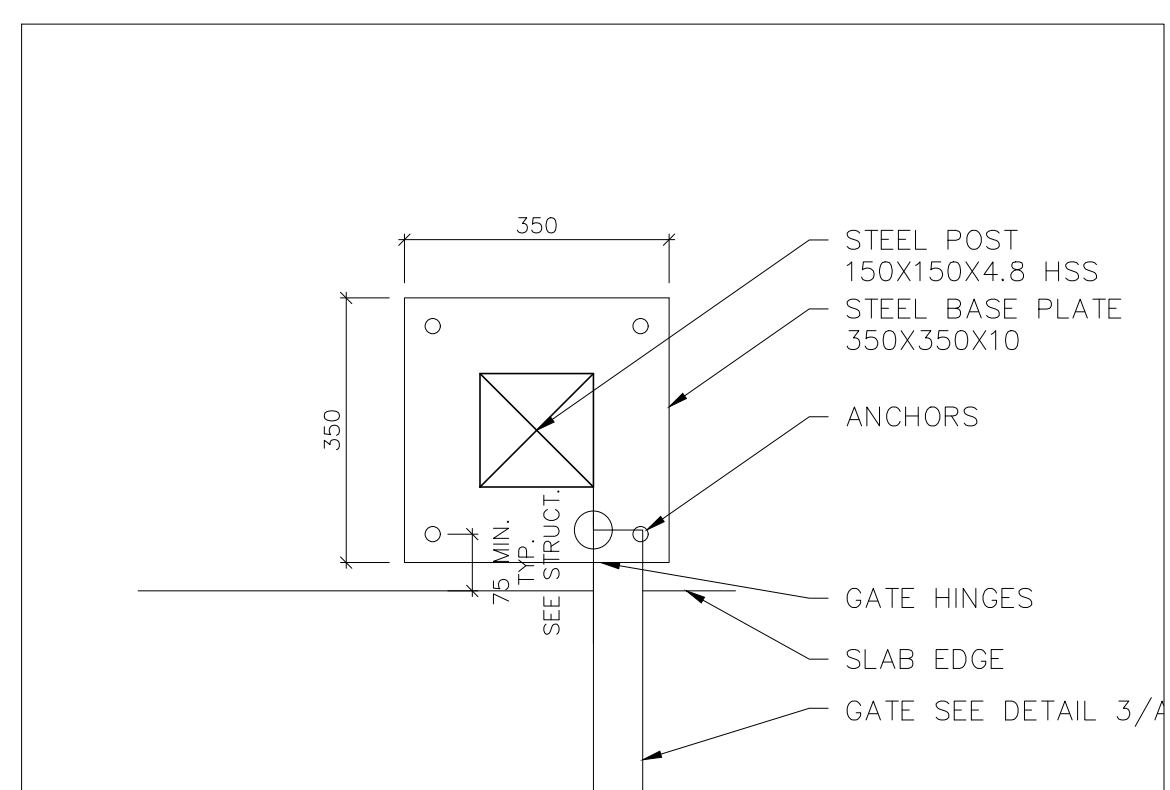
4 WEST ELEVATION - FENCE VIEW (FROM OUTSIDE)
A820 SCALE: 1:20



6 GARB. ENCL. FENCE DETAIL
A820 SCALE: 1:10

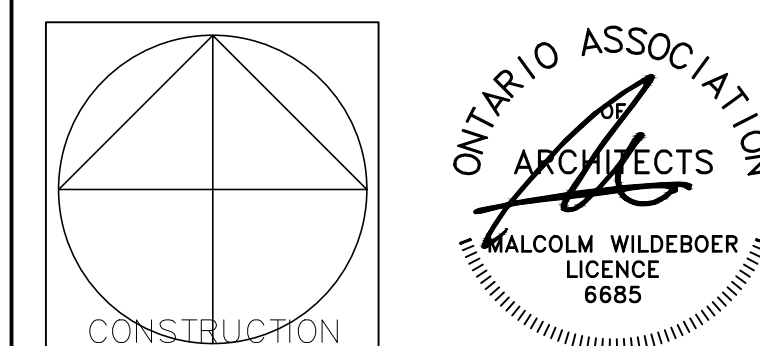


7 BASE PLATE DETAIL
A820 SCALE: 1:10



8 BASE PLATE DETAIL
A820 SCALE: 1:10

#	REVISION	DATE
1	ISSUED FOR REVIEW	01-02-24
2	ISSUED FOR SITE PLAN	16-02-24
3	ISSUED FOR CO-ORDINATION	21-02-24
4	ISSUED FOR CO-ORDINATION	04-03-24
5	ISSUED FOR CO-ORDINATION	21-03-24
6	ISSUED FOR CO-ORDINATION	24-04-24
7	ISSUED FOR SITE PLAN	24-05-03
8	ISSUED FOR PERMIT	24-05-30
9		
10		



Vandenberg & Wildeboer
A.R.C.H.I.T.E.C.T.S.

PROJECT TITLE
STITTSVILLE STATION
1518-1524-1526 STITTSVILLE MAIN STREET

DRAWING TITLE
GARBAGE GATE AND FENCE DETAILS

DESIGNED BY: MALCOLM WILDEBOER
DRAWN BY: JE
START DATE:
SCALE: AS SHOWN
PROJECT NO. 2306

A820