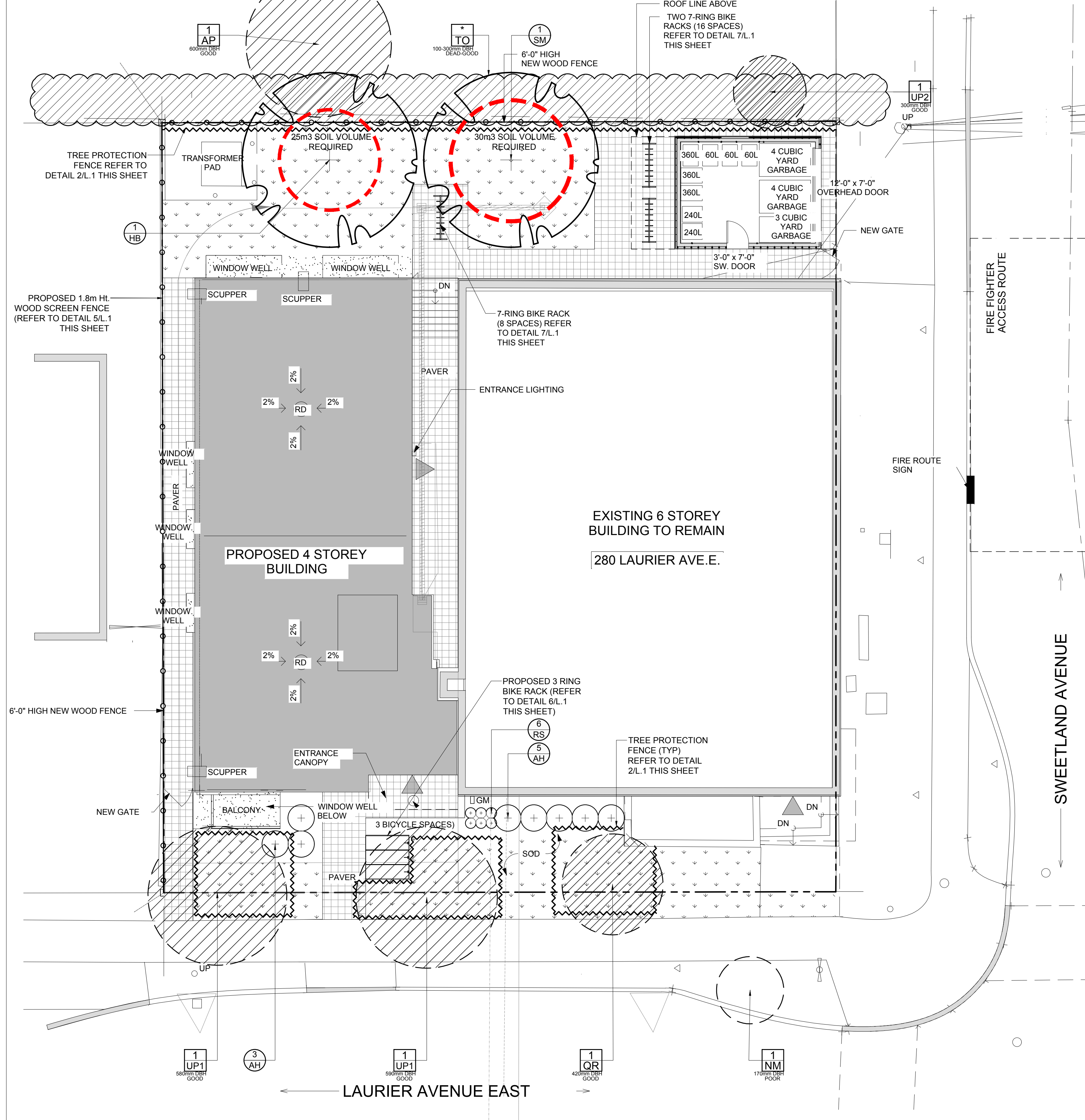


**40 YEAR CANOPY CALCULATION:**

895 m2 site area
(1) large tree proposed (154m2 ea.)
(1) medium tree proposed (79m2 ea.)
(3) large trees to remain (154m2 ea.)
=695m2 canopy cover =77.6% canopy cover
*Large trees calculated at 14m and medium at 10m



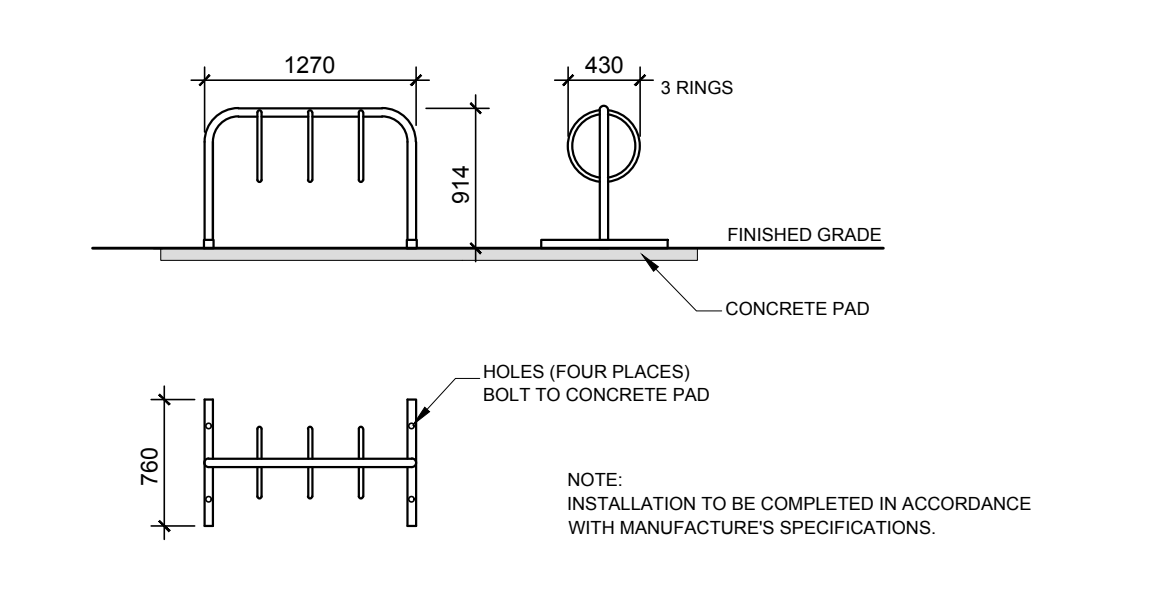
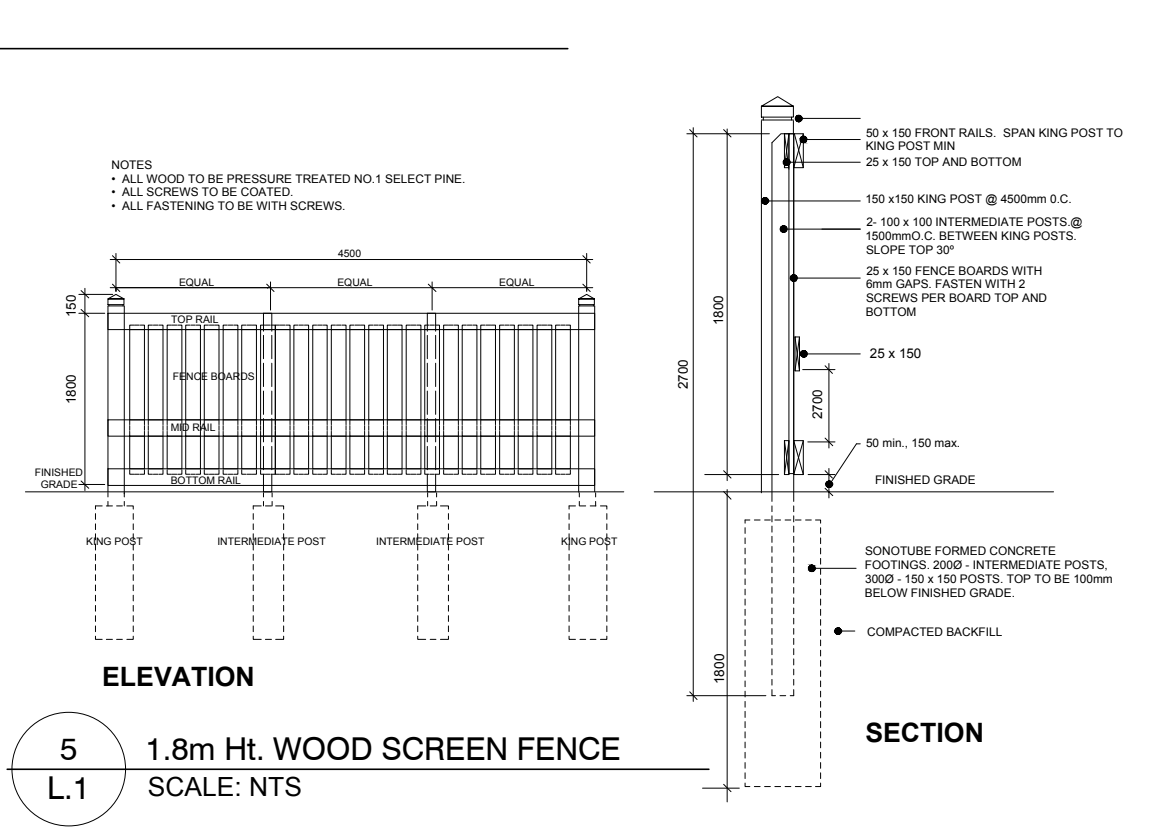
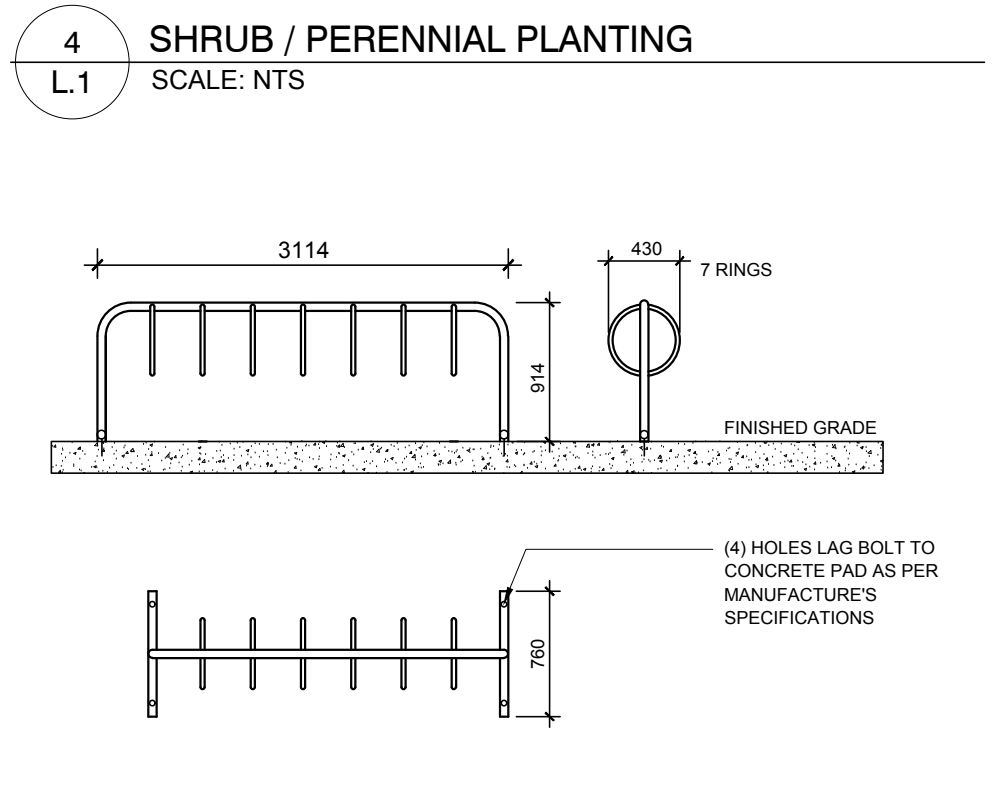
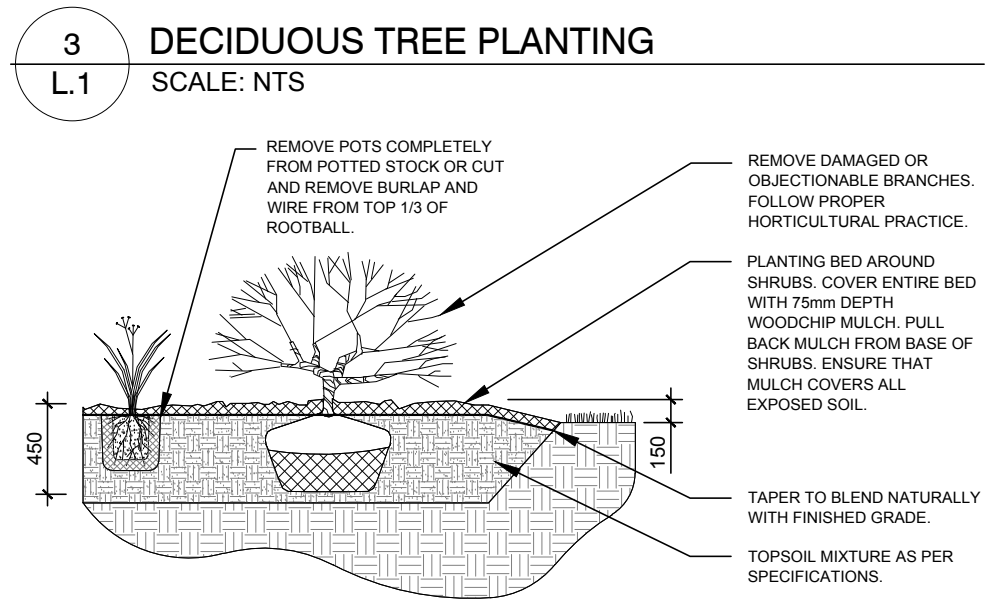
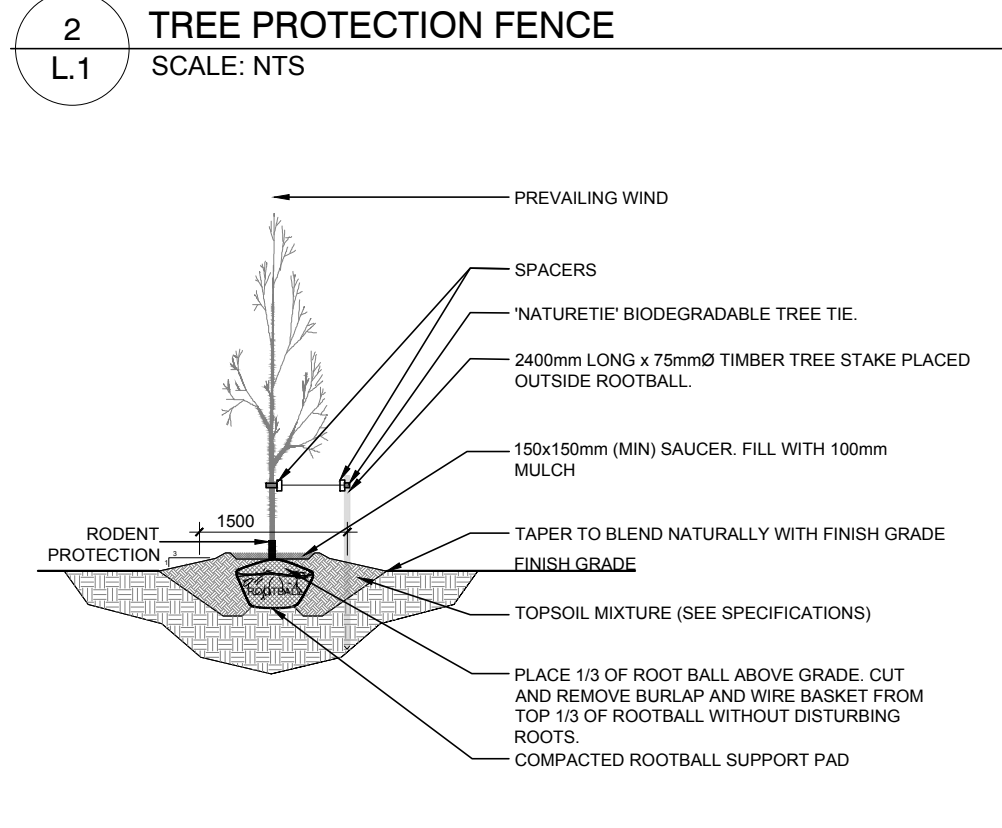
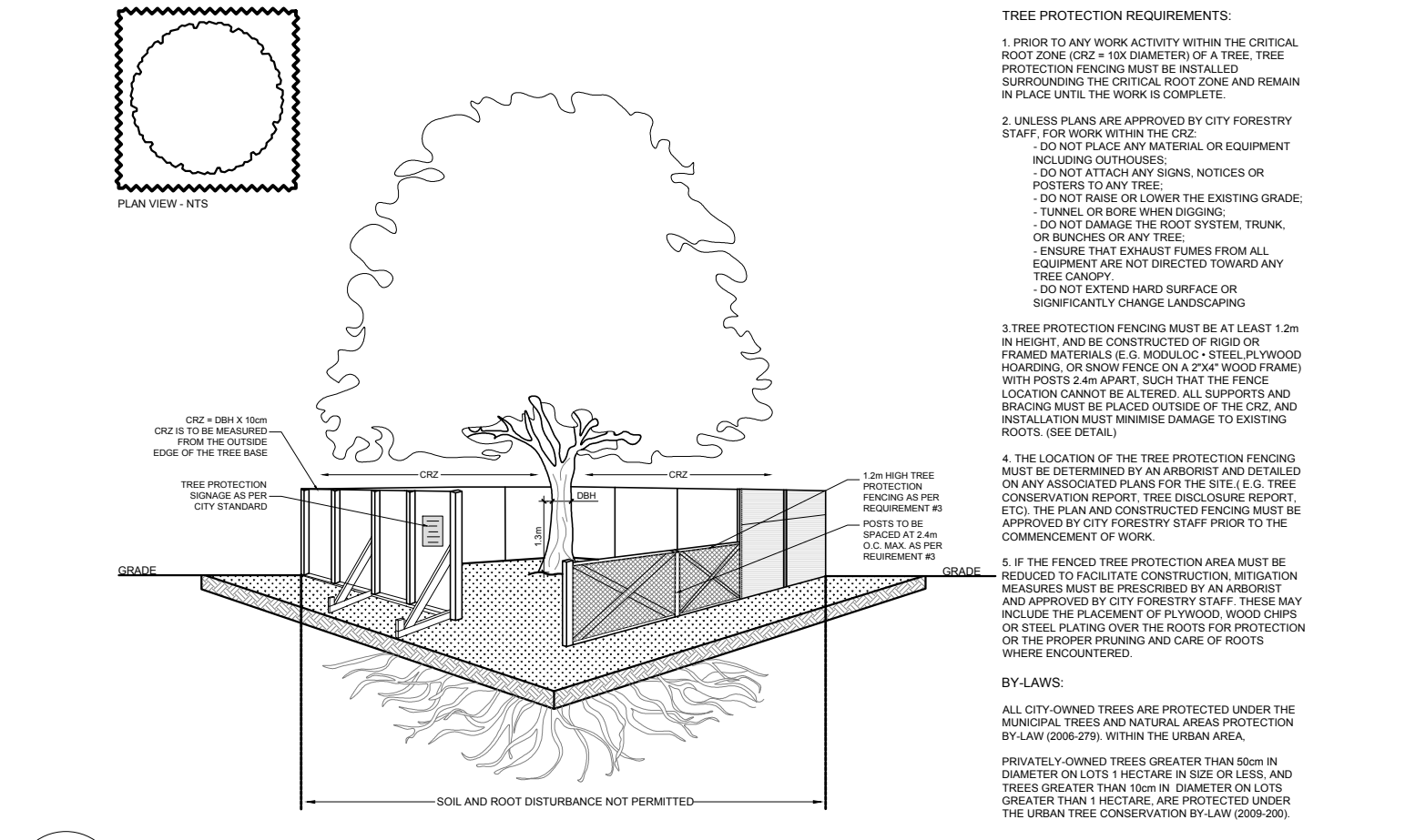
**EXISTING TREE LIST**

KEY	QTY	BOTANICAL NAME	COMMON NAME	SIZE	CONDITION	REMARKS	OWNERSHIP
<b>TREES</b>							
AP	1	<i>Acer platanoides</i>	Norway Maple	170-600mm dbh	Good	To remain	17 Sweetland Avenue
NM	1	<i>Acer platanoides</i>	Norway Maple	170mm dbh	Poor	To be removed	City of Ottawa
QR	1	<i>Quercus rubra</i>	Red Oak	420mm dbh	Good	To remain	
TO	H	<i>Thuja occidentalis</i>	Eastern White Cedar	100-300mm dbh	Dead-good	To remain	17 Sweetland Avenue
UP	3	<i>Ulmus pumila</i>	Siberian Elm	300-590mm dbh	Good	To remain	

**PROPOSED PLANT LIST**

KEY	QTY	BOTANICAL NAME	COMMON NAME	SIZE	CONDITION	Remarks
<b>DECIDUOUS TREES</b>						
HB	1	<i>Celtis occidentalis</i>	Hackberry	60mm cal.	B&B	Single Leader
SM	1	<i>Acer saccharum</i>	Sugar Maple	60mm cal.	B&B	Single Leader
<b>SHRUBS</b>						
AH	8	<i>Hydrangea arborescens</i> 'Annabelle'	Annabelle Hydrangea	1 gallon pot	Potted	Space 1000mm o.c.
<b>PERENNIALS</b>						
RS	6	<i>Hemerocallis</i> 'Ruby Stella'	Ruby Stella Daylily	100mm pot	Potted	Space 400mm o.c.

- GENERAL NOTES:**
- It is the responsibility of the appropriate contractor or official to report any errors, omissions or discrepancies on this plan with actual site conditions to the Landscape Architect before proceeding with construction.
  - The contractor is to notify all utility companies and authorities prior to any excavation and ascertain locations of underground services.
  - The contractor is to reinstate all areas and items damaged as a result of construction activity.
  - The contractor is to comply with all pertinent codes and by-laws.
  - The contractor is to maintain a positive surface run-off throughout the entire construction period.
  - The Landscape Architect is not responsible for subsurface conditions.
  - The contractor is to identify all existing trees to remain on site with the Landscape Architect prior to construction.
  - The contractor is to stake the proposed location of all plant material in conjunction with the Landscape Architect prior to excavation.
  - Minimum distances for selected deciduous trees are as follows:
    - Building Foundations 7.5m
    - Sidewalks 1.5m
    - Public Streets 2.5m
    - Underground Infrastructure 2.0m
  - All trees within 1m of underground utility trenches are to be excavated by hand.
  - Remove all protective wrapping from tree trunks after installation.
  - Staking of trees shall only be performed if necessary.
  - Ensure that mulch is pulled back a min. distance of 75mm from base of tree trunk.



CLIENT

SMART LIVING PROPERTIES

CONSULTANTS

ARCHITECTS: RA REDLINE ARCHITECTURE

CIVIL ENGINEERS: J.L. Richards & Associates Limited ENGINEERS · ARCHITECTS · PLANNERS

LEGEND

- EXISTING TREE TO REMAIN
- GROUP OF EXISTING TREES TO REMAIN
- EXISTING TREE TO BE REMOVED
- SOIL VOLUME REQUIRED PROPOSED DECIDUOUS TREE
- PROPOSED SHRUBS / PERENNIALS
- PROPOSED SOD
- PROPOSED RIVERSTONE MULCH
- PROPOSED PRECAST CONCRETE PAVERS
- PROPOSED TREE PROTECTION FENCE
- PROPOSED 1.8m HL. WOOD SCREEN FENCE
- PROPOSED LIGHT STANDARDS (REFER TO SITE PLAN FOR DETAILS)

No.	Issue	Date	DR	CK
8	REVISED PER CITY COMMENTS	08/22/2024	ML	JL
7	REVISED PER NEW SITE PLAN	02/15/2024	ML	JL
6	REVISED PER SITE PLAN REVISIONS	11/29/2023	ML	JL
5	ISSUED FOR BUILDING PERMIT	03/31/2023	ML	JL
4	REVISED PER NEW SITE PLAN	04/29/2022	ML	JL
3	REVISED PER NEW SITE PLAN	03/21/2022	ML	JL
2	REVISED PER CITY COMMENTS	11/16/2021	ML	JL
1	ISSUED FOR SITE PLAN CONTROL	07/29/2021	ML	JL

**JAMES B. LENOX & ASSOCIATES INC.**  
LANDSCAPE ARCHITECTS  
3332 CARLING AVE. OTTAWA, ONTARIO K2H 5A8  
Tel. (613) 722-5168 Fax. (1866) 343-3942

PROJECT  
NEW ADDITION TO EXISTING 6 STOREY BUILDING  
280 LAURIER AVENUE EAST, OTTAWA ON

DRAWING  
TREE CONSERVATION REPORT & LANDSCAPE PLAN

STAMP  
ASSOCIATION OF LANDSCAPE ARCHITECTS OF ONTARIO  
MEMBER

SCALE  
AS SHOWN

START DATE  
JULY 2021

PROJECT NO.  
215MT2162

PROJECT NORTH

DRAWING NO.  
**L.1**

PLOT SIZE ARCH-D