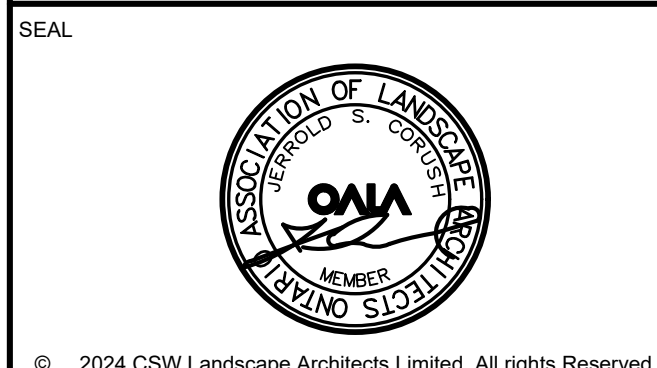
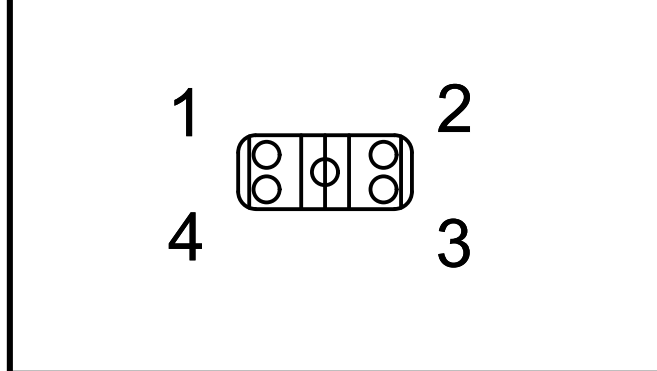


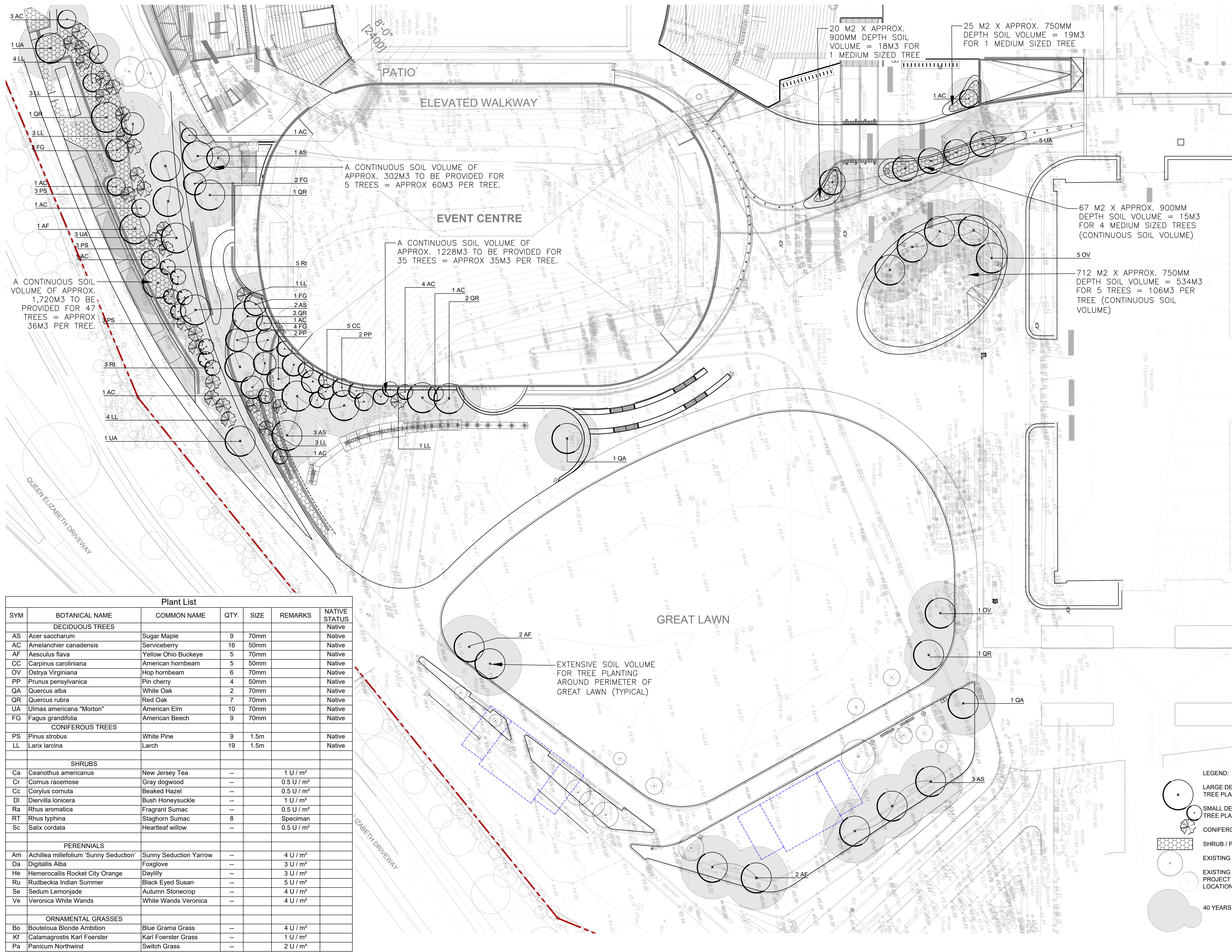
NO.	DESCRIPTION	DATE
3	ISSUED FOR SPA	7 AUG 2024
2	ISSUED FOR CO-ORDINATION	28 JUNE 2024
1.1	ISSUED FOR PRE-CONSULTATION	31 MAY 2024

REVISIONS/ ISSUES
 CONTRACTOR SHALL CHECK AND VERIFY ALL DIMENSIONS AND REPORT ANY OMISSIONS OR DISCREPANCIES TO THE ARCHITECT BEFORE PROCEEDING WITH THE WORK. **DO NOT SCALE THE DRAWINGS**



© 2024 CSW Landscape Architects Limited. All rights Reserved.
 DRAWN: SE/JA
 DATE: MAY 2024
 CHECKED: JC/CM

LANSDOWNE EVENT CENTRE
 DWG. TITLE: **LANDSCAPE LAYOUT PLAN**
 SCALE: 1:400
 DWG. NO.: L1.0
 PROJ. NO.: CSW #1766-12



Plant List

SYM	BOTANICAL NAME	COMMON NAME	QTY.	SIZE	REMARKS	NATIVE STATUS
DECIDUOUS TREES						
AS	<i>Acer saccharum</i>	Sugar Maple	9	70mm		Native
AC	<i>Amelanchier canadensis</i>	Serviceberry	16	50mm		Native
AF	<i>Aesculus flava</i>	Yellow Ohio Buckeye	5	70mm		Native
CC	<i>Carpinus caroliniana</i>	American hornbeam	5	50mm		Native
OV	<i>Ostrya virginiana</i>	Hop hornbeam	6	70mm		Native
PP	<i>Prunus pensylvanica</i>	Pin cherry	4	50mm		Native
QA	<i>Quercus alba</i>	White Oak	2	70mm		Native
QR	<i>Quercus rubra</i>	Red Oak	7	70mm		Native
UA	<i>Ulmus americana "Morton"</i>	American Elm	10	70mm		Native
FG	<i>Fagus grandifolia</i>	American Beech	9	70mm		Native
CONIFEROUS TREES						
PS	<i>Pinus strobus</i>	White Pine	9	1.5m		Native
LL	<i>Larix laricina</i>	Larch	19	1.5m		Native
SHRUBS						
Ca	<i>Ceanothus americanus</i>	New Jersey Tea	--		1 U / m ²	
Cr	<i>Cornus racemosa</i>	Gray dogwood	--		0.5 U / m ²	
Cc	<i>Corylus cornuta</i>	Beaked Hazel	--		0.5 U / m ²	
DI	<i>DierVilla lonicera</i>	Bush Honeysuckle	--		1 U / m ²	
Ra	<i>Rhus aromatica</i>	Fragrant Sumac	--		0.5 U / m ²	
RT	<i>Rhus typhina</i>	Staghorn Sumac	8		Speciman	
Sc	<i>Salix cordata</i>	Heartleaf willow	--		0.5 U / m ²	
PERENNIALS						
Am	<i>Achillea millefolium "Sunny Seduction"</i>	Sunny Seduction Yarrow	--		4 U / m ²	
Da	<i>Digitalis Alba</i>	Foxglove	--		3 U / m ²	
He	<i>Hemerocallis Rocket City Orange</i>	Daylily	--		3 U / m ²	
Ru	<i>Rudbeckia Indian Summer</i>	Black Eyed Susan	--		5 U / m ²	
Se	<i>Sedum Lemonjade</i>	Autumn Stonecrop	--		4 U / m ²	
Ve	<i>Veronica White Wands</i>	White Wands Veronica	--		4 U / m ²	
ORNAMENTAL GRASSES						
Bo	<i>Bouteloua Blonde Ambition</i>	Blue Grama Grass	--		4 U / m ²	
Kf	<i>Calamagrostis Karl Foerster</i>	Karl Foerster Grass	--		1 U / m ²	
Pa	<i>Panicum Northwind</i>	Switch Grass	--		2 U / m ²	



BRISBROOK BEYON ARCHITECTS
 14 DUNCAN ST 4TH FLOOR
 TORONTO, ON M5H 3G8
 (416) 591-8999

ENTUITIVE
 135 LAURIER AVE WEST, SUITE 413
 OTTAWA, ON K1P 5J2
 (343) 308-9274

TMP
 200 KING ST. WEST, SUITE 310
 TORONTO, ON M5H 3T4
 (416) 499-8000

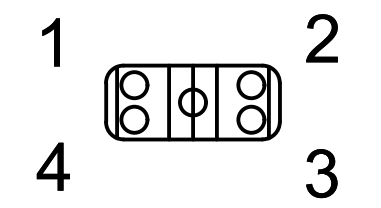
MULVEY & BANANI
 90 SHEPPARD AVE EAST, SUITE 500
 TORONTO, ON M2N 3A
 (416) 751-2520

S2O
 530 N. WOOD STREET #C
 CHICAGO, IL 60622
 (224) 717-1999

CSW
 Landscape Architecture
 Urban Design
 Site Planning
 Recreation and Park Planning
 Project Management
 319 McRae Avenue, Suite 502, Ottawa, Ontario, K1Z 0B9
 Tel: (613) 729-4536

NO.	DESCRIPTION	DATE
3	ISSUED FOR SPA	7 AUG. 2024
2	ISSUED FOR CO-ORDINATION	28 JUNE 2024
1	ISSUED FOR PRE-CONSULTATION	31 MAY 2024

REVISIONS/ ISSUES
 CONTRACTOR SHALL CHECK AND VERIFY ALL DIMENSIONS AND REPORT ANY OMISSIONS OR DISCREPANCIES TO THE ARCHITECT BEFORE PROCEEDING WITH THE WORK. DO NOT SCALE THE DRAWINGS



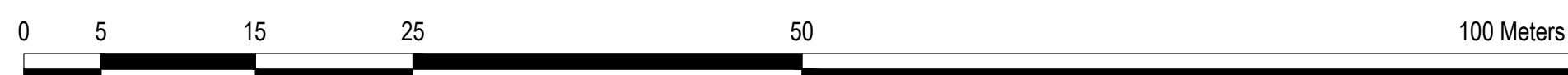
© 2024 CSW Landscape Architects Limited. All rights Reserved.
 DRAWN SE/JA
 DATE MAY 2024
 CHECKED JC/CM

LANSDOWNE EVENT CENTRE

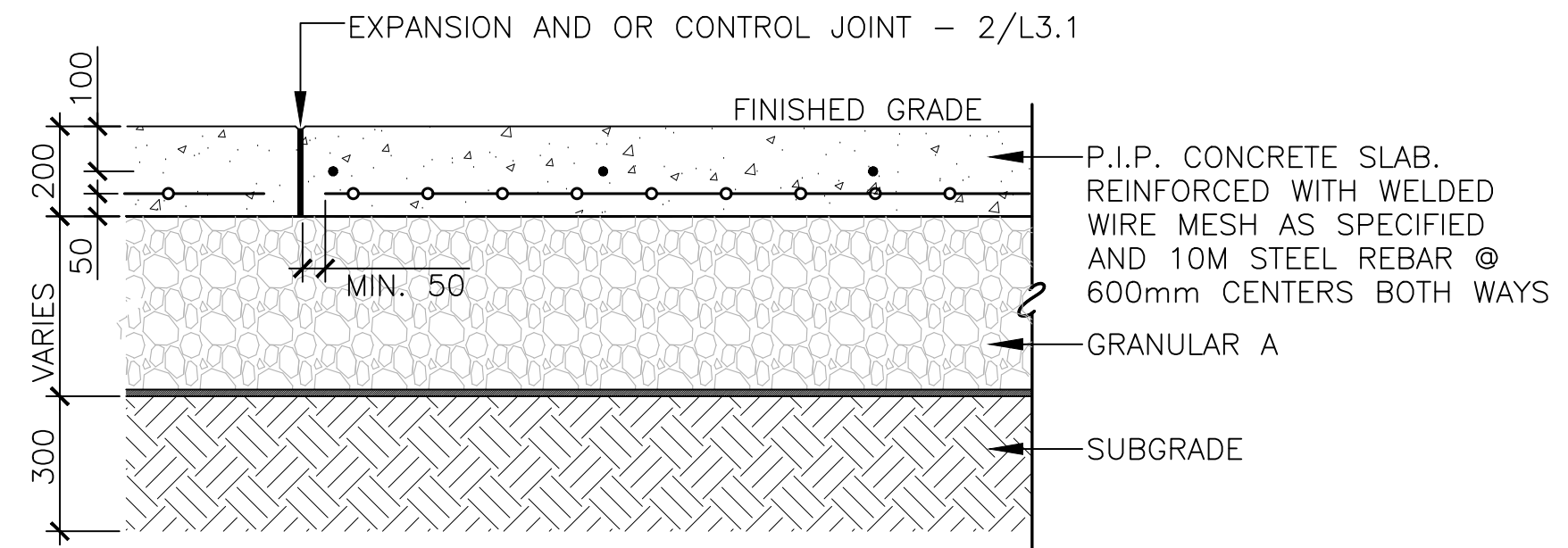
DWG. TITLE
LANDSCAPE PLANTING PLAN

SCALE 1 : 400
 DWG. NO. L2.0
 PROJ. NO. CSW #1766-12

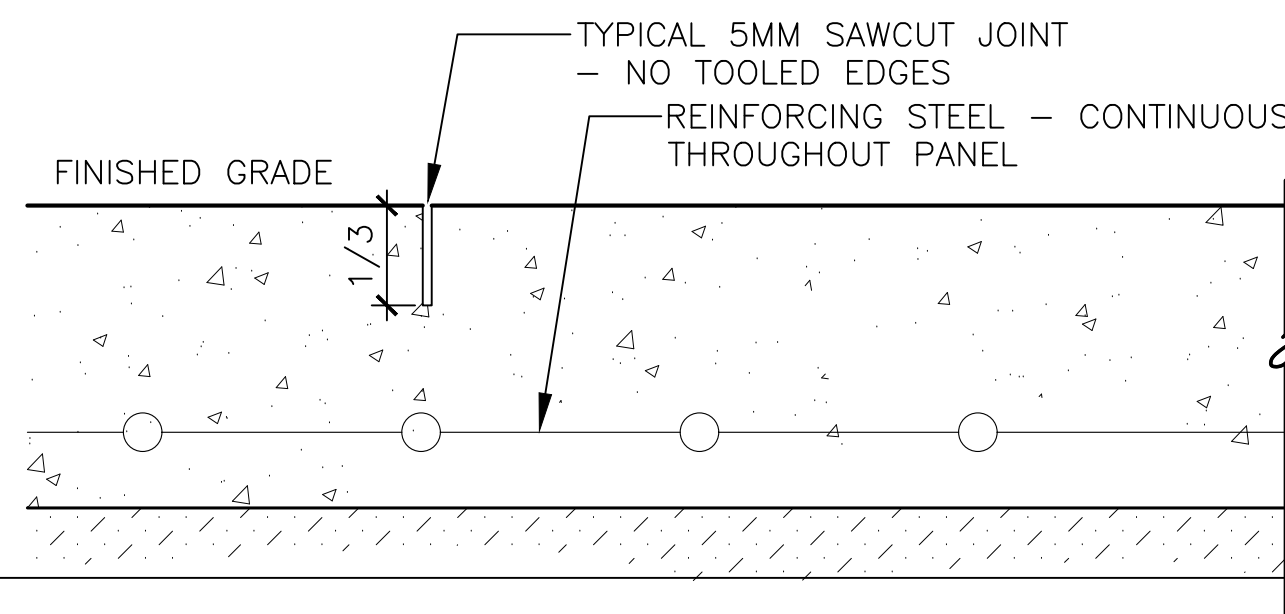
DATE PLOTTED: 01 January, 2000



- NOTES:
- FINISHES AS SPECIFIED: REFER TO PATTERNING PLAN.
 - REFER TO DETAIL 2/L3.1 FOR JOINTING INFORMATION
 - WELDED WIRE MESH - 50mm FROM BOTTOM OF PROFILE
 - REINFORCING BARS - CENTRED IN PROFILE.



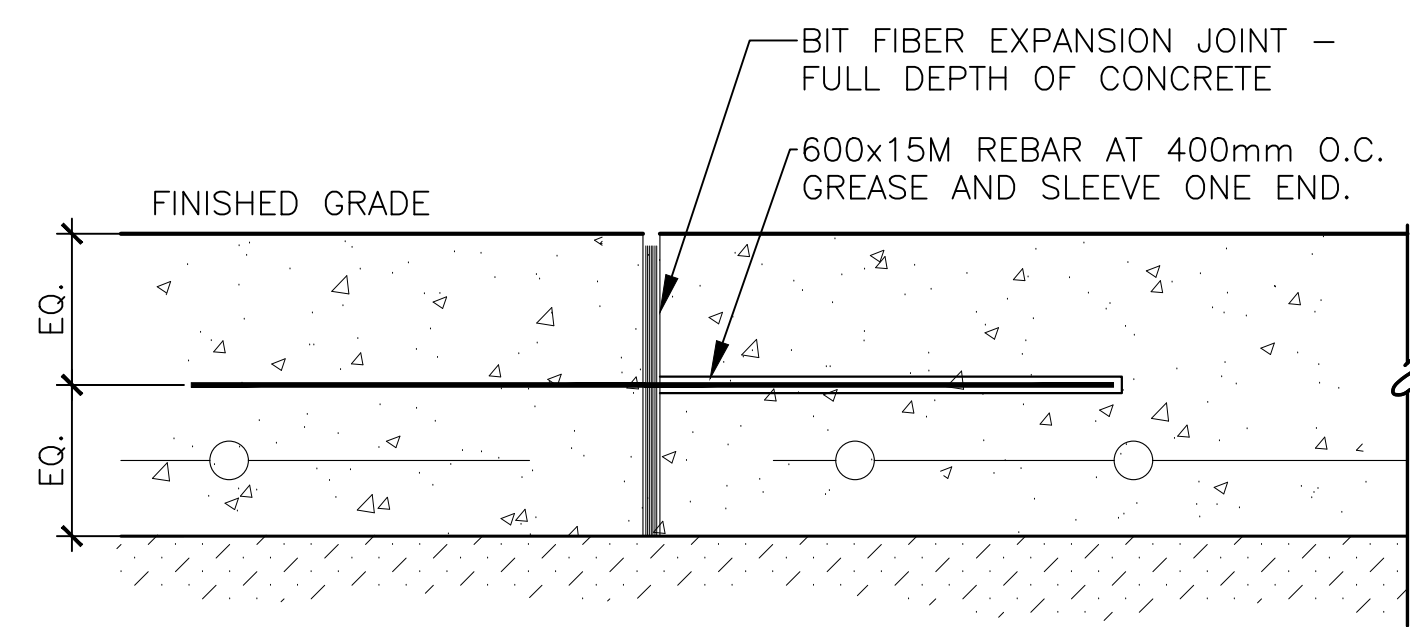
1 CONCRETE SURFACE - REINFORCED
3.1 SCALE - 1:15



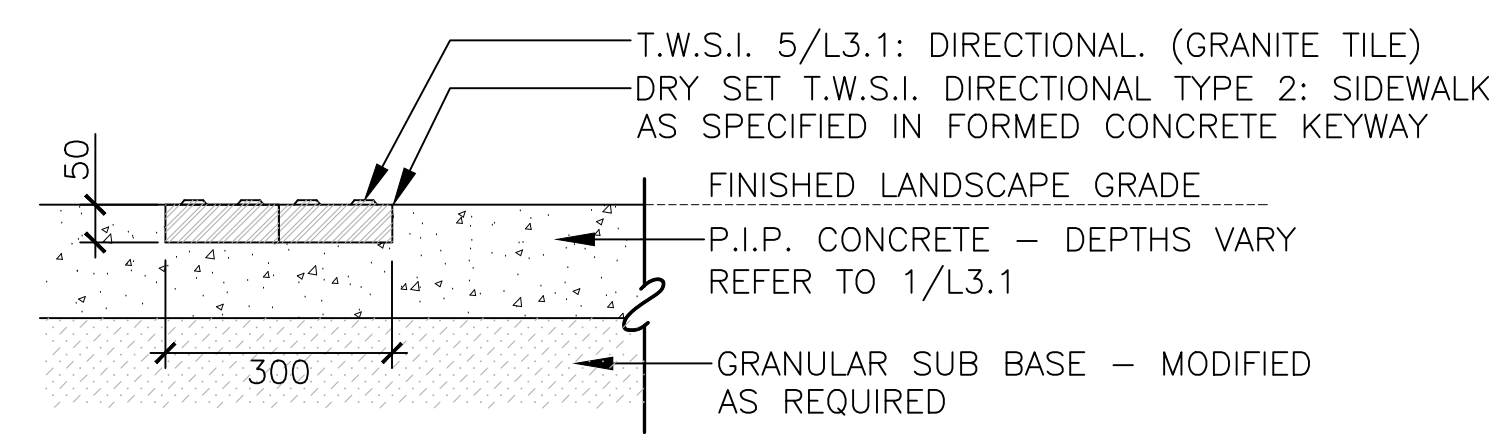
CONTROL JOINT

EXPANSION JOINT

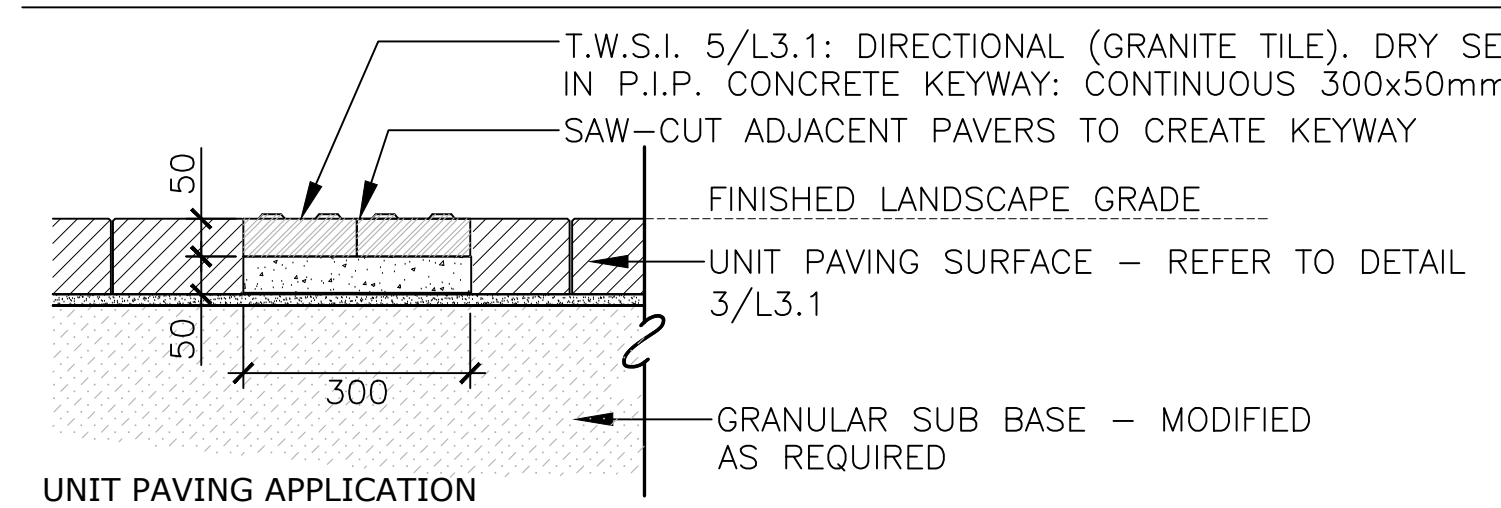
2 TYPICAL CONCRETE JOINTS - 150mm
3.1 SCALE - 1:5



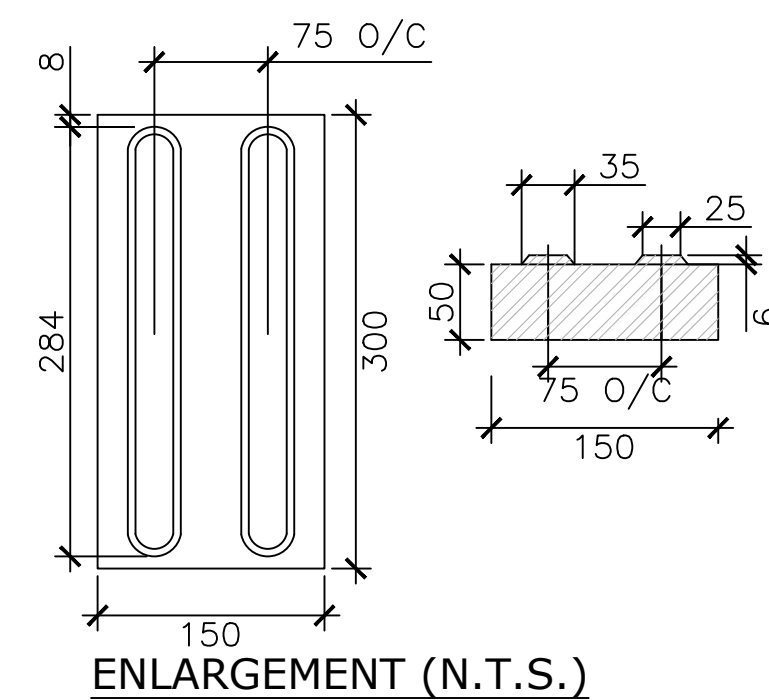
- NOTES:
- INSTALL T.W.S.I. TILE FLUSH WITH FINISHED CONCRETE SURFACE AS PER MANUFACTURER'S INSTRUCTIONS.
 - REFER TO PATTERNING ENLARGEMENT DRAWINGS FOR PLACEMENT AND SPACING - L1.0
 - INSTALL TILES IN CONTINUOUS STRAIGHT AND TRUE LINE. JOINTING BETWEEN TILES TO BE PERFORMED AS PER MANUFACTURER'S RECOMMENDATIONS.



CONCRETE APPLICATION



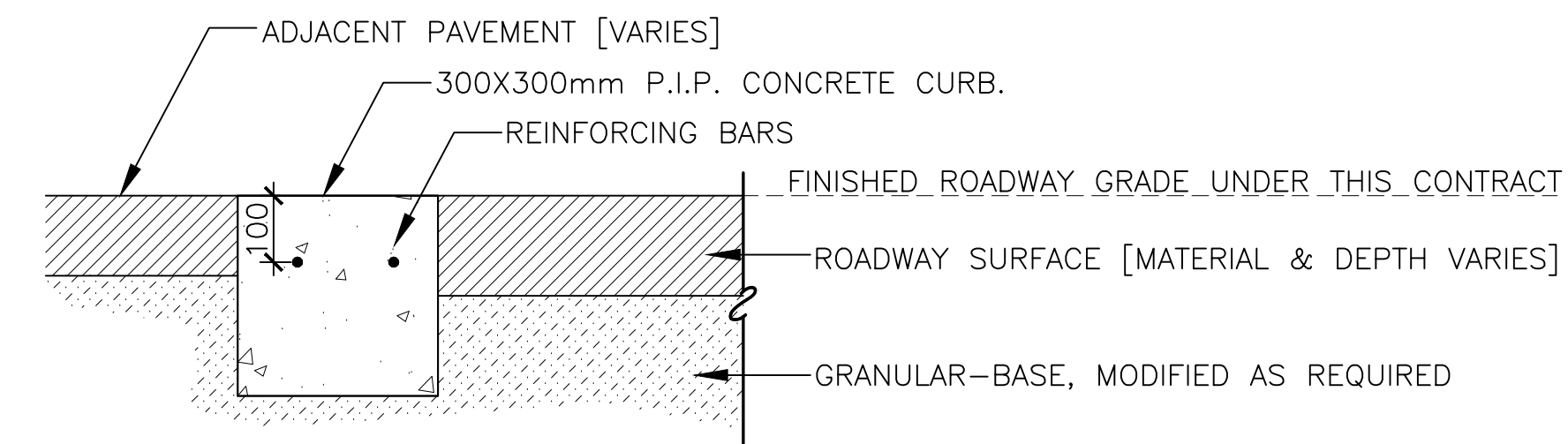
4 TWSI TYPE 1: DIRECTIONAL - SIDEWALK
3.1 SCALE - 1:10



ENLARGEMENT (N.T.S.)

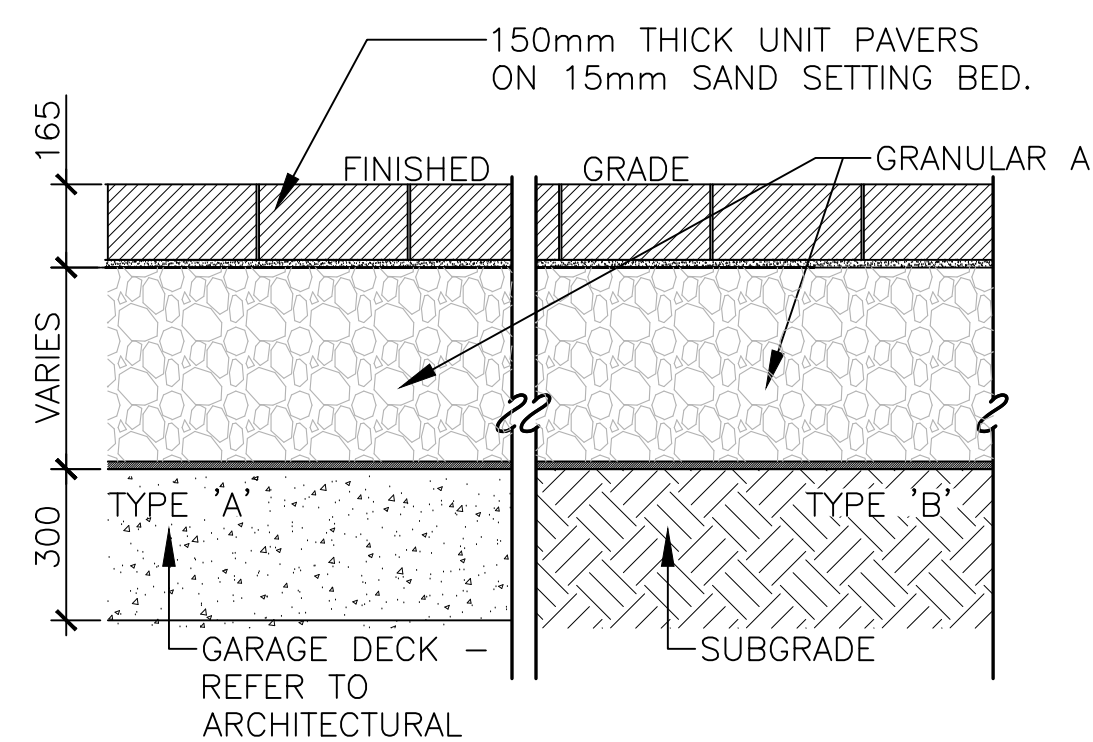
5 TWSI GRANITE TILE - ENLARGEMENT
3.1 SCALE - N.T.S.

- NOTES:
- PROVIDE DOWELED BIT, FIBRE EXPANSION JOINT BETWEEN CURB AND ALL ADJACENT CONCRETE SURFACES.
 - SAW CUT CONTROL JOINTS FULL WIDTH OF CURB AT EVERY 3m O.C.
 - TOP OF CURB TO BE FLUSH WITH ADJACENT PAVEMENTS BOTH SIDES.
 - REINFORCE CURB WITH CONTINUOUS EPOXY COATED 10M STEEL BARS

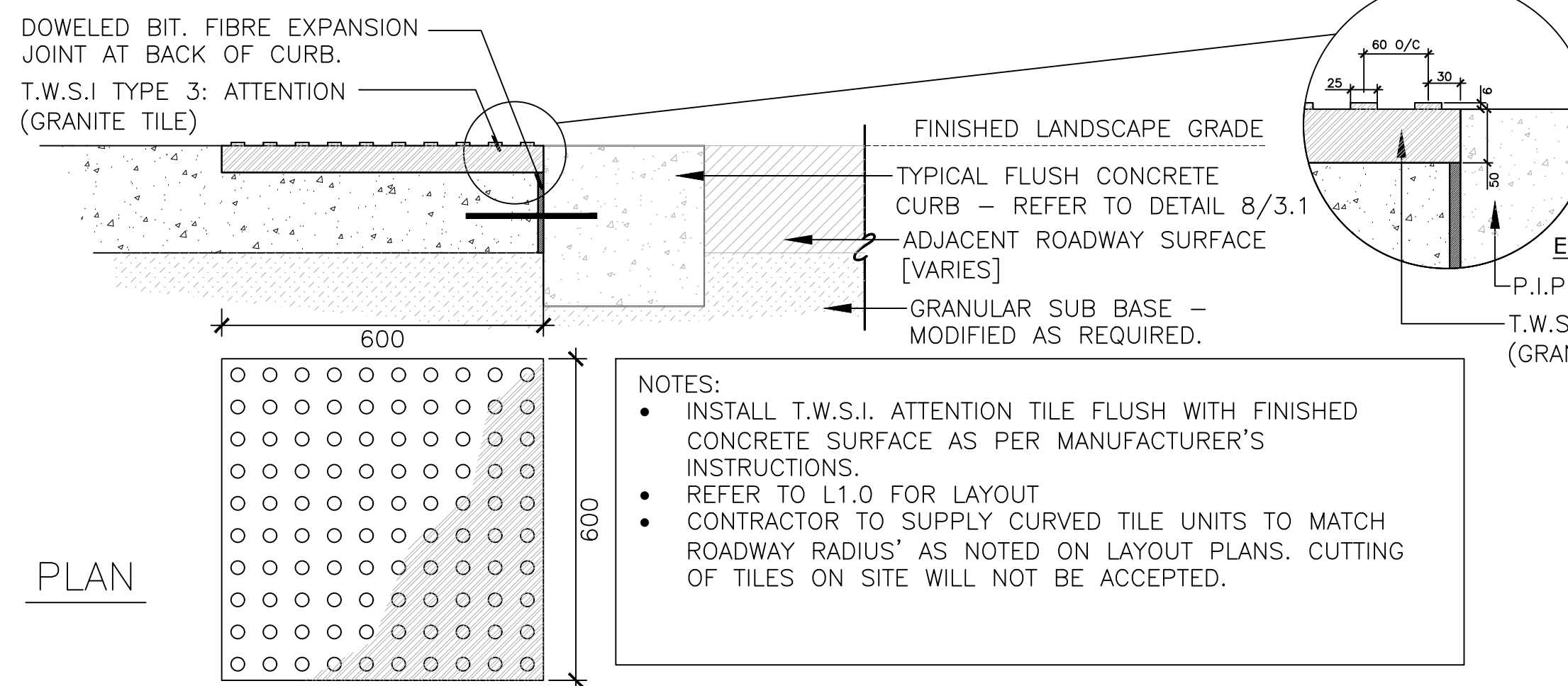


8 ROAD CURB- FLUSH
3.1 SCALE - 1:10

- NOTES:
- TYPICAL PROFILE APPLIES TO ALL UNIT PAVING TYPES.
 - PATTERNS AND LAYOUT VARY BY PAVER TYPE - REFER TO LAYOUT/PATTERNING PLANS.



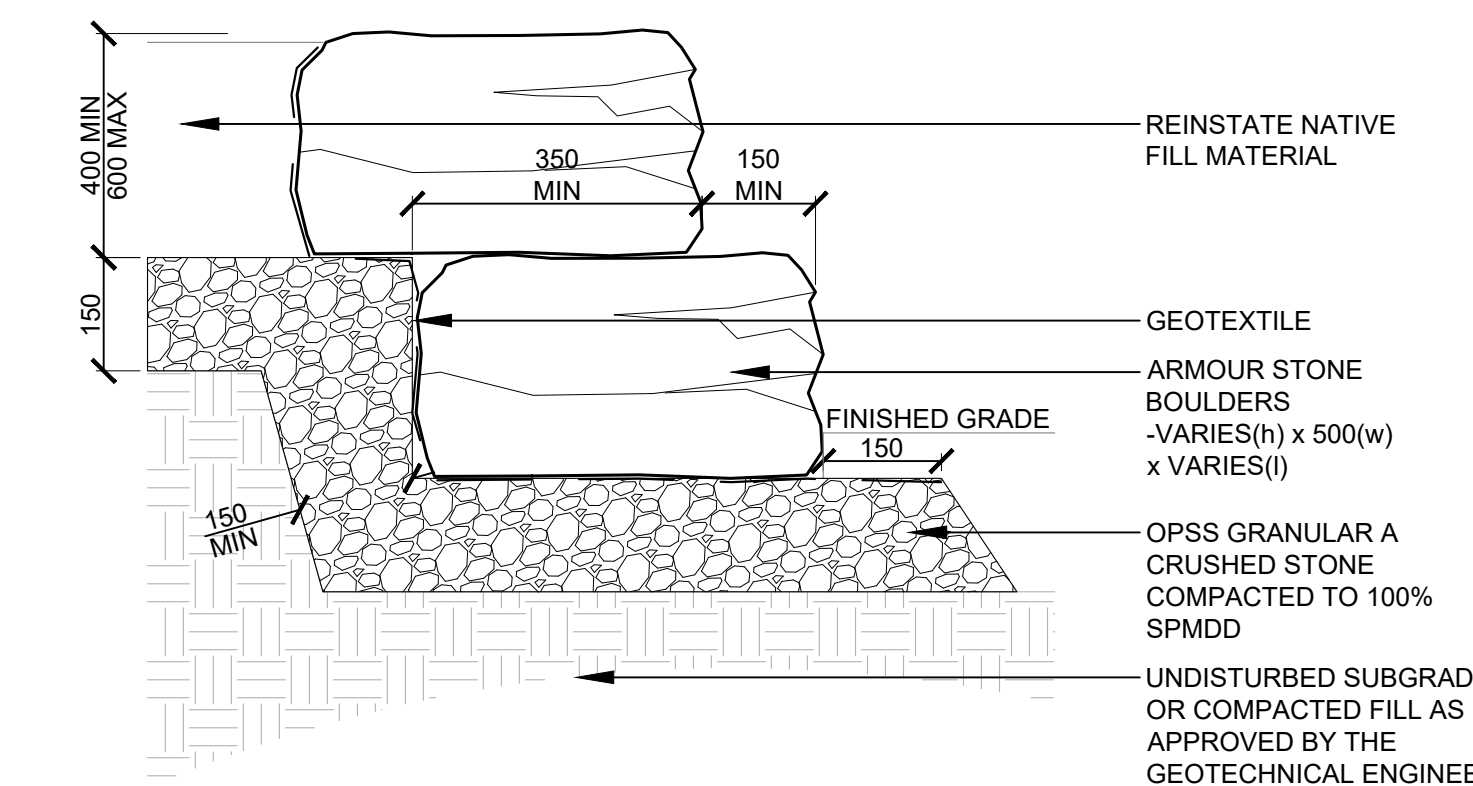
3 UNIT PAVING - TYPICAL PROFILE
3.1 SCALE - 1:15



PLAN

- NOTES:
- INSTALL T.W.S.I. ATTENTION TILE FLUSH WITH FINISHED CONCRETE SURFACE AS PER MANUFACTURER'S INSTRUCTIONS.
 - REFER TO L1.0 FOR LAYOUT
 - CONTRACTOR TO SUPPLY CURVED TILE UNITS TO MATCH ROADWAY RADIUS' AS NOTED ON LAYOUT PLANS. CUTTING OF TILES ON SITE WILL NOT BE ACCEPTED.

6 TWSI TYPE 2: ATTENTION
3.1 SCALE - 1:10



- NOTES:
- ARMOUR STONE WALL TO STEP AS REQUIRED. REFER TO GRADING PLAN FOR ELEVATIONS
 - ENSURE ALL EXPOSED EDGES ARE BLUNTED/EASED TO TO 6mm MINIMUM
 - MAXIMUM GAP BETWEEN BOULDERS IS 50mm
 - FILL GAPS WITH GEOTEXTILE AND COMPACTED GRANULAR AS REQUIRED
 - MAXIMUM EXPOSED FACE/STEP IS 550mm (TYPICAL)
 - EXCAVATION AND SUBGRADE CONDITION TO BE REVIEWED BY GEOTECHNICAL ENGINEER FOR WALLS OVER 1000 MM - REFER TO STRUCTURAL/GEOTECH (STAMP DRAWING)

9 ARMOR STONE RETAINING WALL
3.1 SCALE - 1:10



BRISBEN
BROOK
BEYON
ARCHITECTS
14 DUNCAN ST 4TH FLOOR
TORONTO, ON M5H 3G8
(416) 591-8999

ENTUITIVE
135 LAURIER AVE WEST, SUITE 413
OTTAWA, ON K1P 5J2
(343) 308-9274

TAMP
200 KING ST. WEST, SUITE 310
TORONTO, ON M5H 3T4
(416) 499-8000

MULVEY & BANANI
90 SHEPPARD AVE EAST, SUITE 500
TORONTO, ON M2N 3A
(416) 751-2520

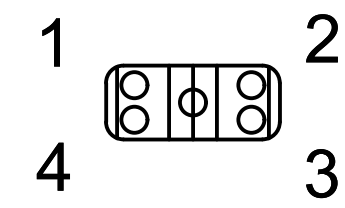
S2O
530 N. WOOD STREET #C
CHICAGO, IL 60622
(224) 717-1999

CSW
319 McRae Avenue, Suite 502, Ottawa, Ontario, K1Z 0B9
Tel: (613) 729-4536

NO.	DESCRIPTION	DATE
2	ISSUED FOR SPA	7 AUG 2024
1	ISSUED FOR PRE-CONSULTATION	31 MAY 2024

REVISIONS/ ISSUES

CONTRACTOR SHALL CHECK AND VERIFY ALL DIMENSIONS AND REPORT ANY OMISSIONS OR DISCREPANCIES TO THE ARCHITECT BEFORE PROCEEDING WITH THE WORK. DO NOT SCALE THE DRAWINGS

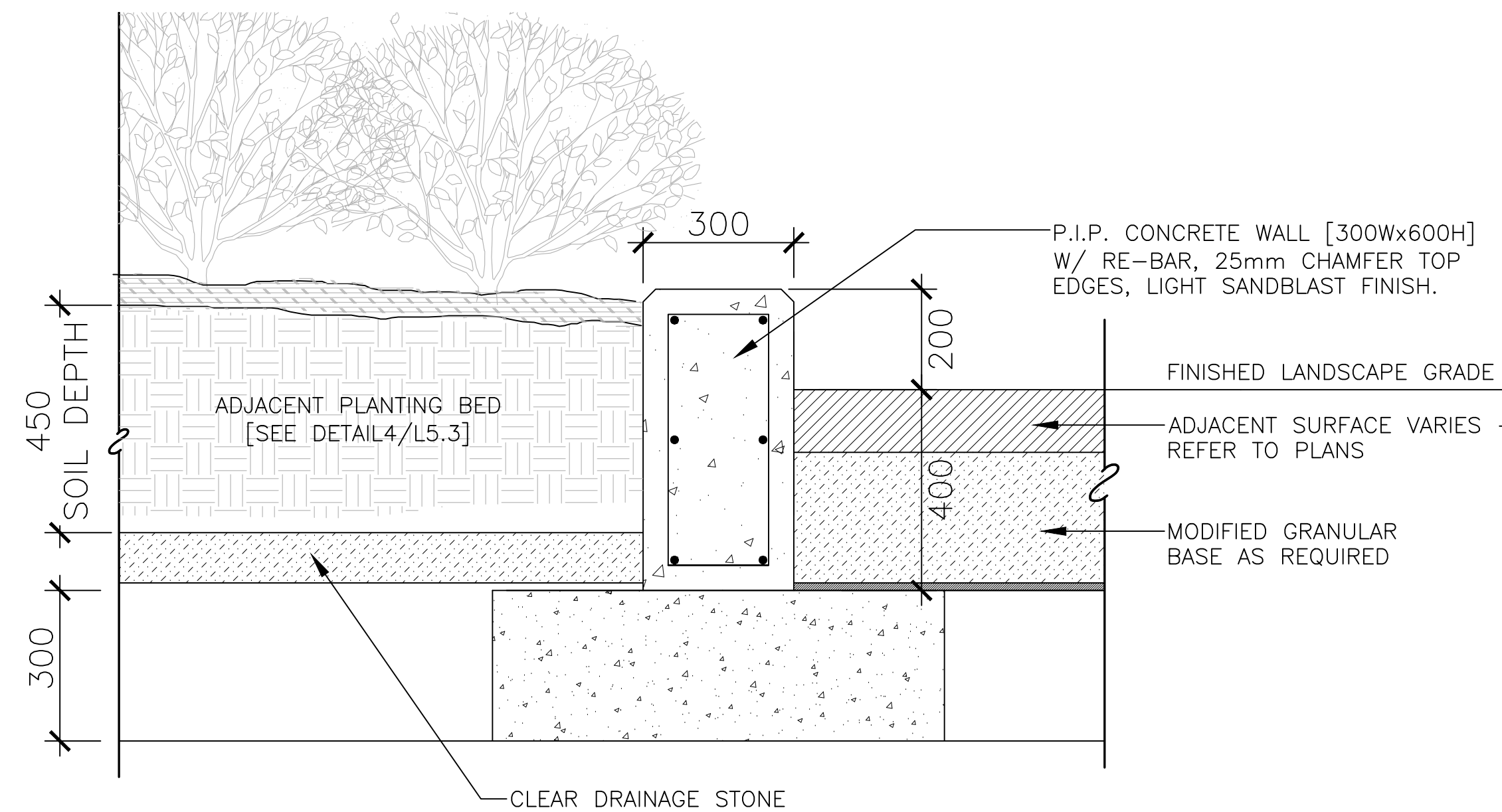


DRAWN SE/JA
DATE MAY 2024
CHECKED JC/CM

LANDSDOWNE
EVENT CENTRE

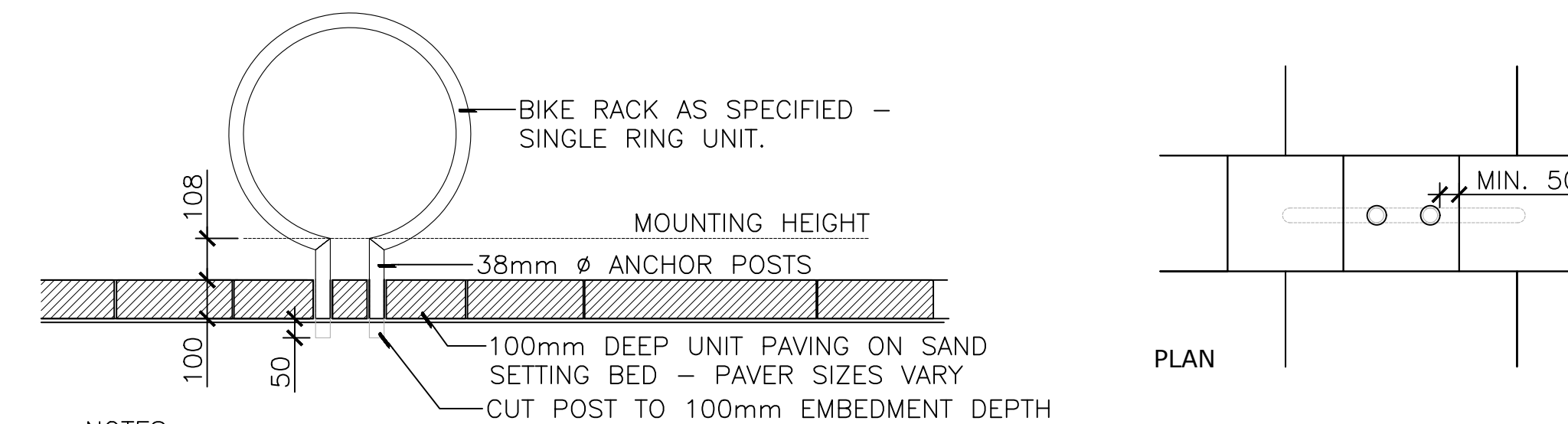
DWG. TITLE
LANDSCAPE DETAILS
PROPOSED DEVELOPMENT

SCALE AS SHOWN DWG. NO. L3.1
PROJ. NO. CSW #1766-12



1
3.2 PLANTER CURB - ROAD SIDE

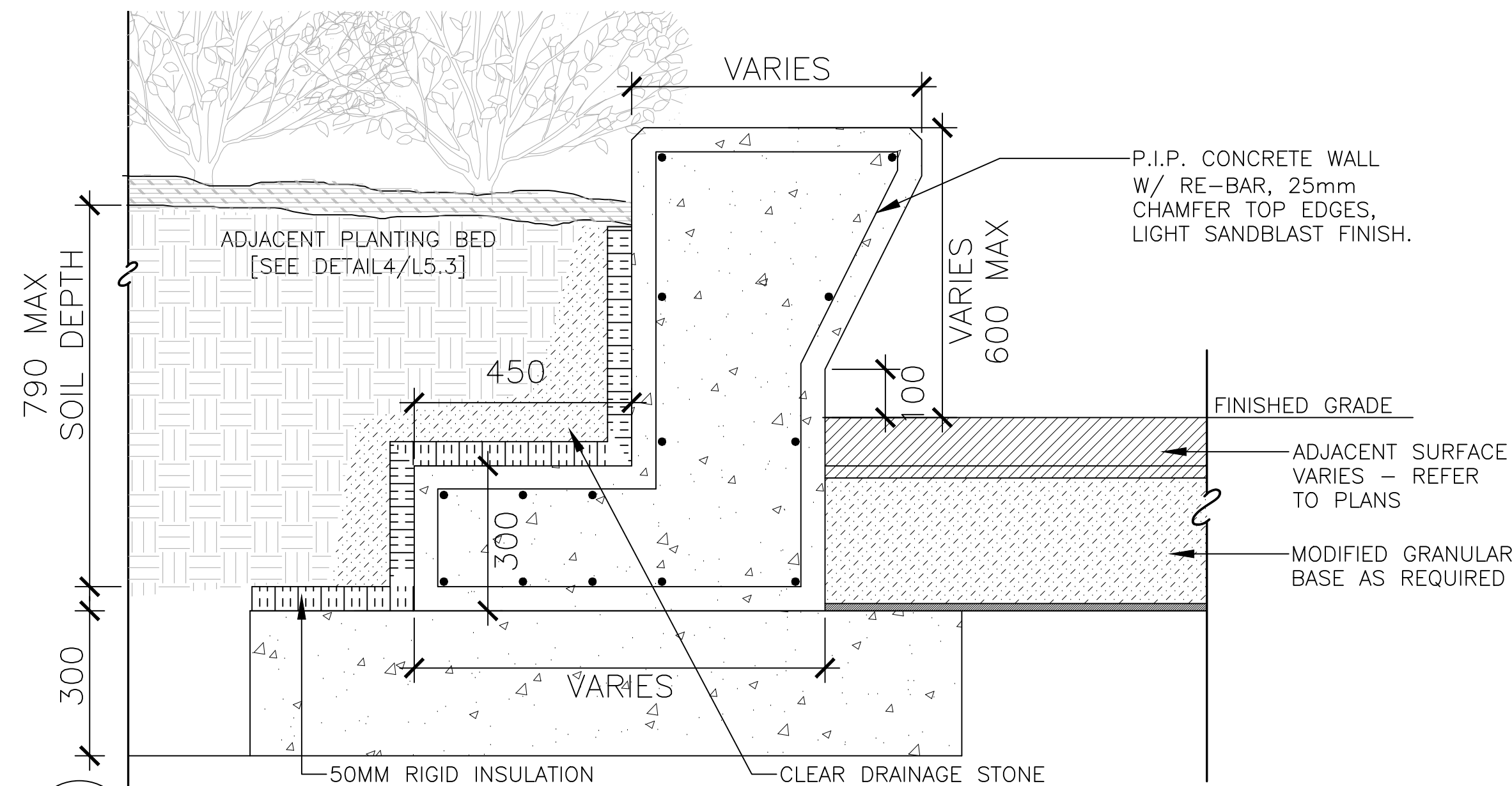
SCALE - 1:10



- NOTES:
- CORE AND GROUT ANCHOR POSTS INTO 50mm DIA HOLE.
 - INSTALL BIKE RACKS PLUMB.
 - BOND IN PLACE WITH NON-SHRINK GROUT.
 - TYPICAL EMBEDMENT DEPTH TO BE 150mm. IN UNIT PAVING - CORE FULL DEPTH OF PAVER AND CUT ANCHOR POSTS TO SEAT BIKE RACK ASSEMBLY AT MOUNTING HEIGHT AS SHOWN.
 - IN UNIT PAVING CONDITION ENSURE MIN. 50mm COVER FROM CORED HOLE TO EDGE OF PAVER. WHERE PAVERS ARE LESS THAN 300x300mm IN SURFACE ARE - EPOXY ADJACENT PAVERS TOGETHER TO FORM SUFFICIENT PAVEMENT FOUNDATION.

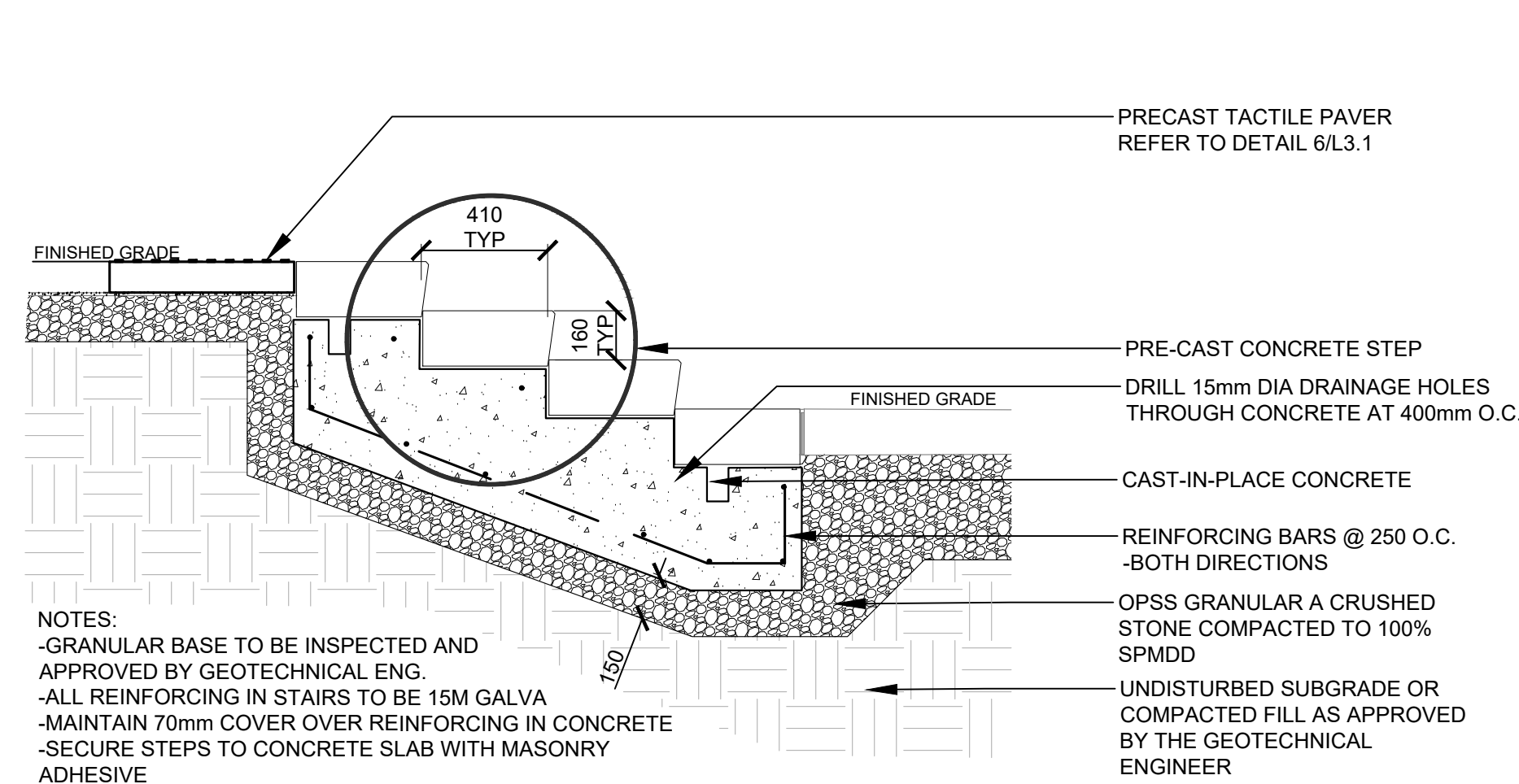
4
3.2 BIKE RING MOUNTING - UNIT PAVING CONDITION

SCALE - 1:15



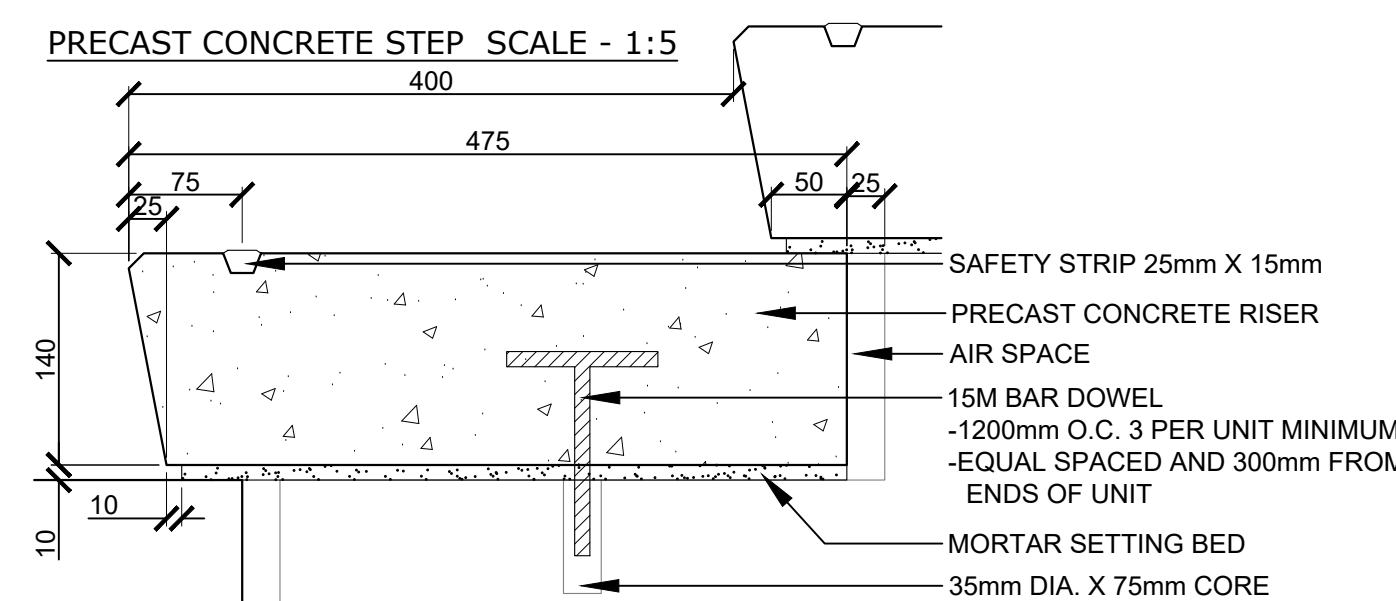
2
3.2 RAISED PLANTER WALL - RAISED PODIUM

SCALE - 1:10



3
3.2 PRECAST CONCRETE STEPS ON C.I.P. FOOTING

SCALE - 1:20

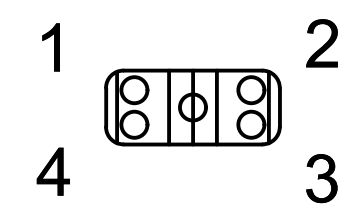


- NOTES:
- ALL RISERS AS PART OF SET OF STAIRS SHALL HAVE THE SAME HEIGHT AND WIDTH OF TREAD
 - SAFETY STRIP
 - CARBORUNDUM / EPOXY MIX
 - RAISED TEXTURE SET INTO EACH STAIR TREAD
 - TERMINATE SAFETY STRIP 50mm FROM EDGE OF STAIRS
 - SLOPE TREADS TO DRAIN AT 1% (ENSURE POSITIVE DRAINAGE ON ALL TREADS)
 - PRECAST UNITS TO HAVE MEDIUM SANDBLAST FINISH
 - CONTRACTOR TO SUBMIT SHOP DRAWINGS FOR REVIEW PRIOR TO FABRICATION

NO.	DESCRIPTION	DATE
2	ISSUED FOR SPA	7 AUG 2024
1	ISSUED FOR PRE-CONSULTATION	31 MAY 2024

REVISIONS/ ISSUES

CONTRACTOR SHALL CHECK AND VERIFY ALL DIMENSIONS AND REPORT ANY OMISSIONS OR DISCREPANCIES TO THE ARCHITECT BEFORE PROCEEDING WITH THE WORK. DO NOT SCALE THE DRAWINGS



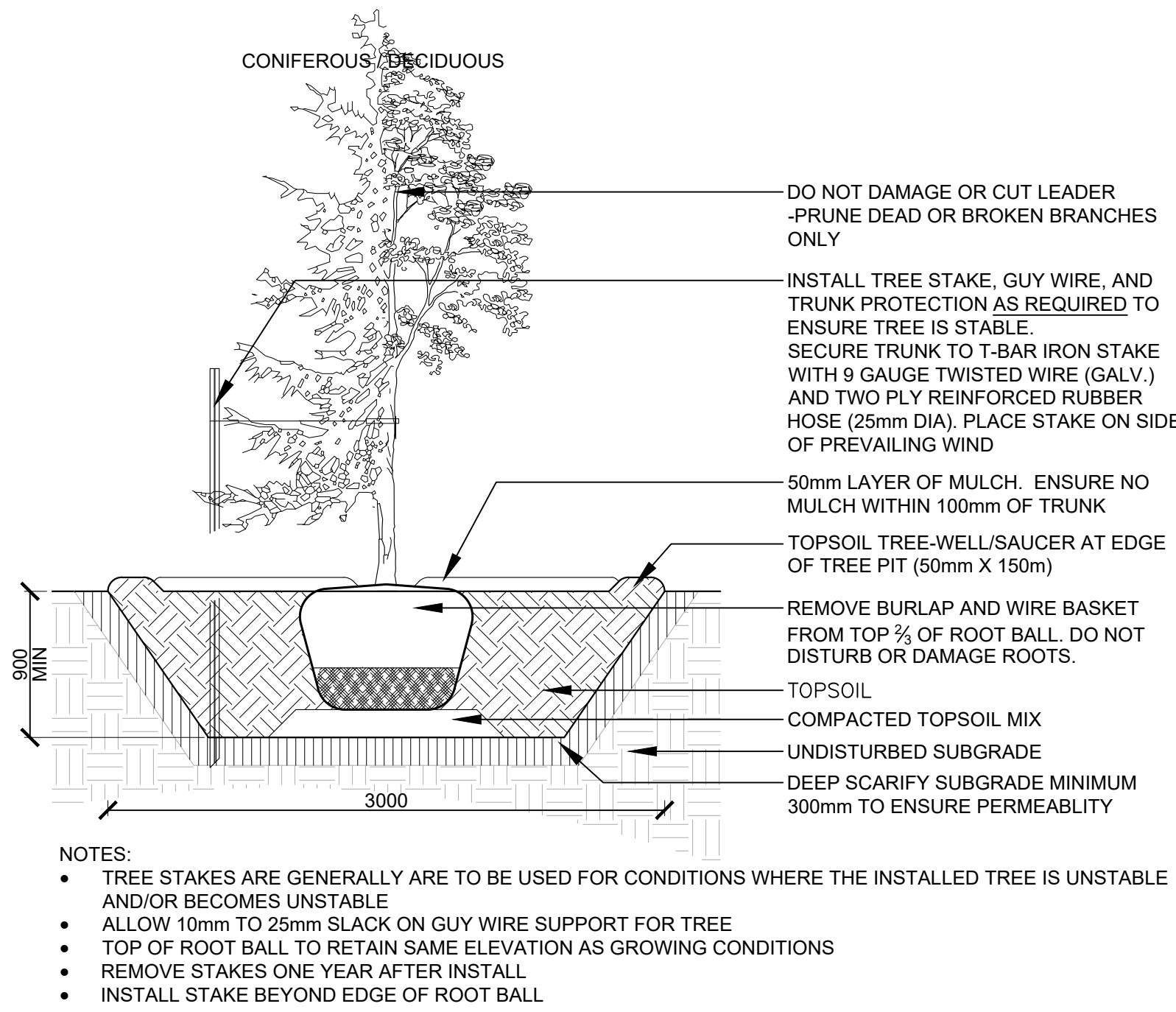
© 2024 CSW Landscape Architects Limited. All rights Reserved.

DRAWN	SE/JA
DATE	MAY 2024
CHECKED	JC/CM

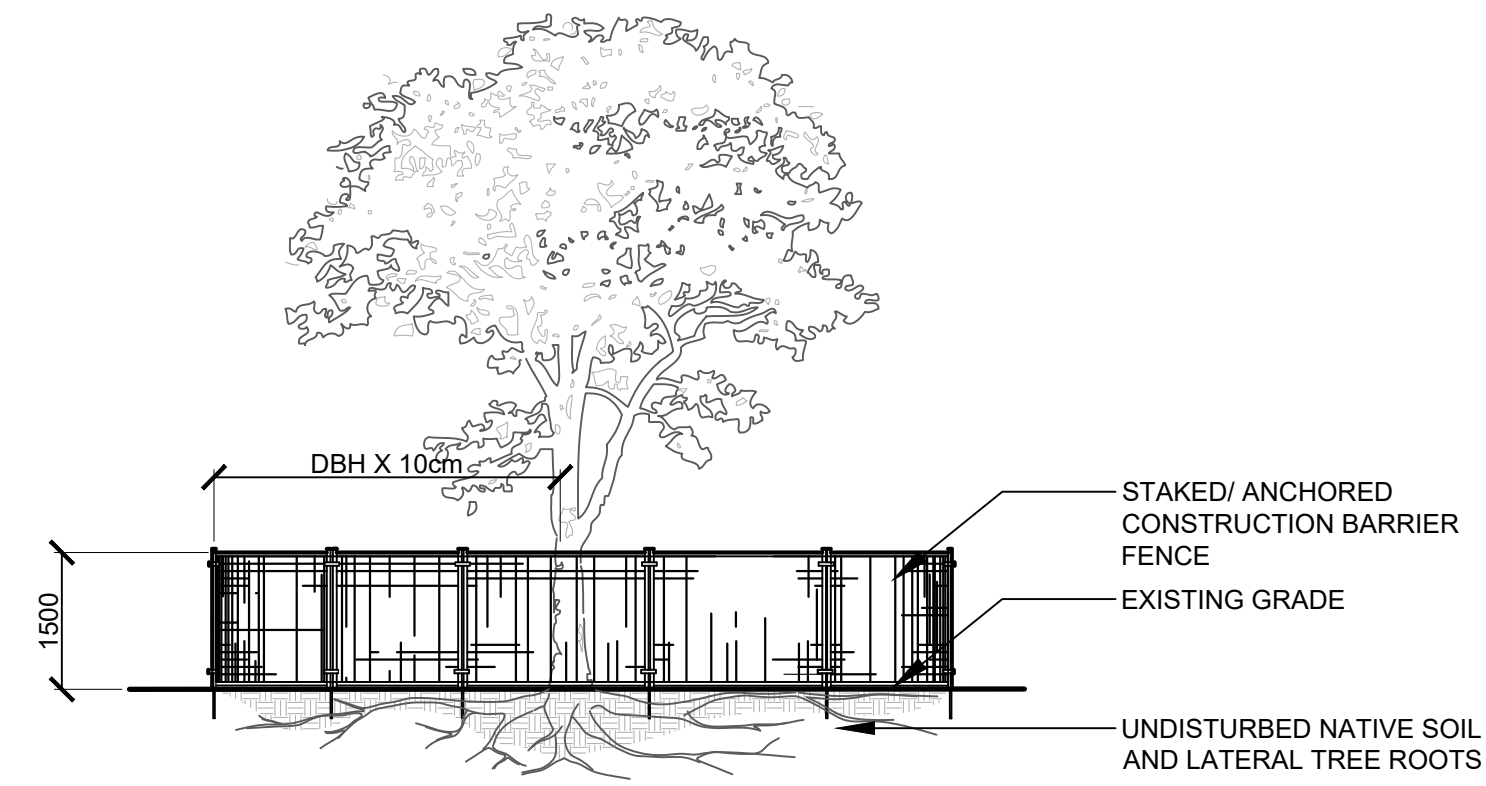
LANDSDOWNE
EVENT CENTRE

DWG. TITLE
LANDSCAPE DETAILS
PROPOSED DEVELOPMENT

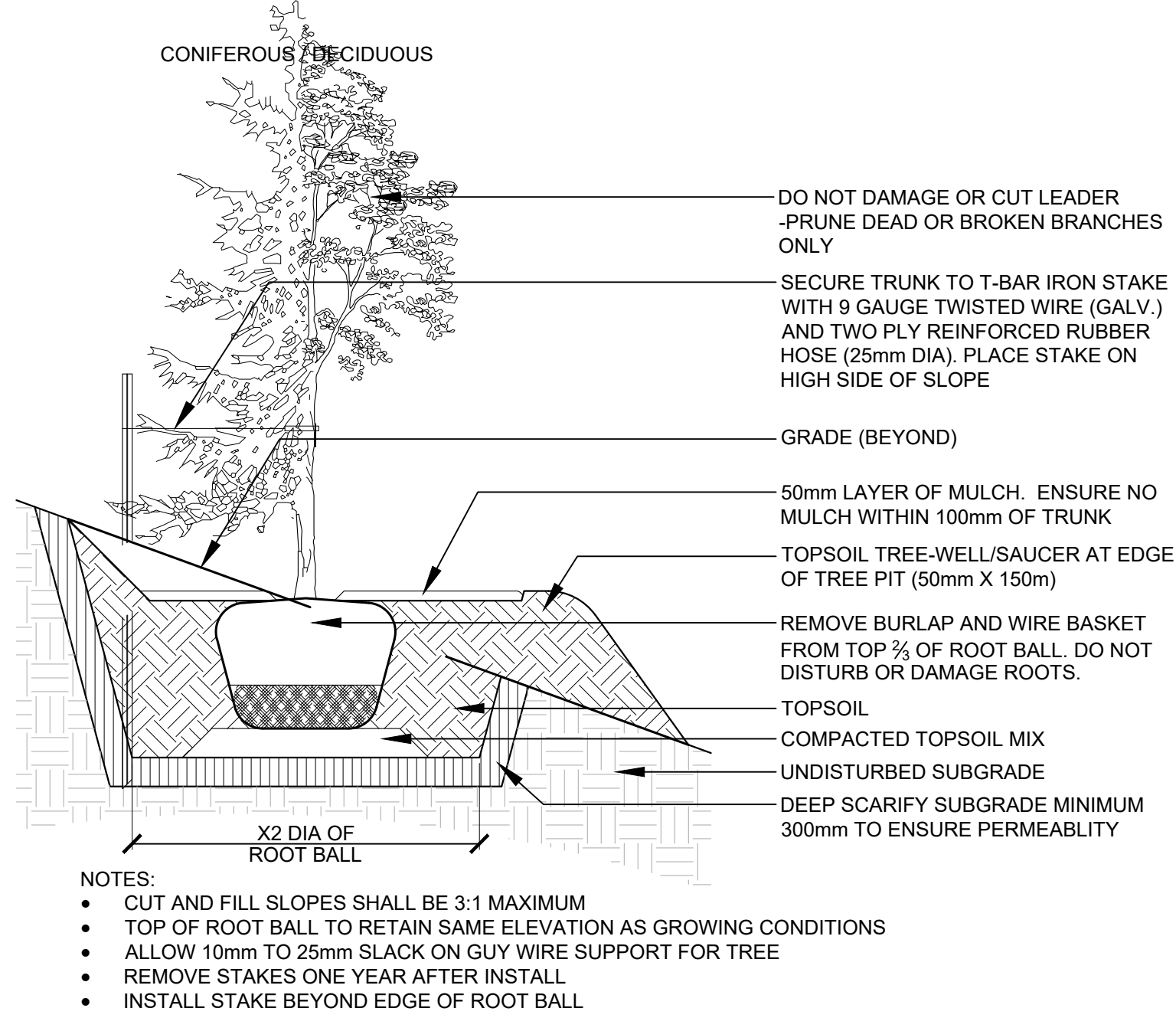
SCALE	AS SHOWN	DWG. NO.	L3.2
PROJ. NO.	CSW #1766-12		



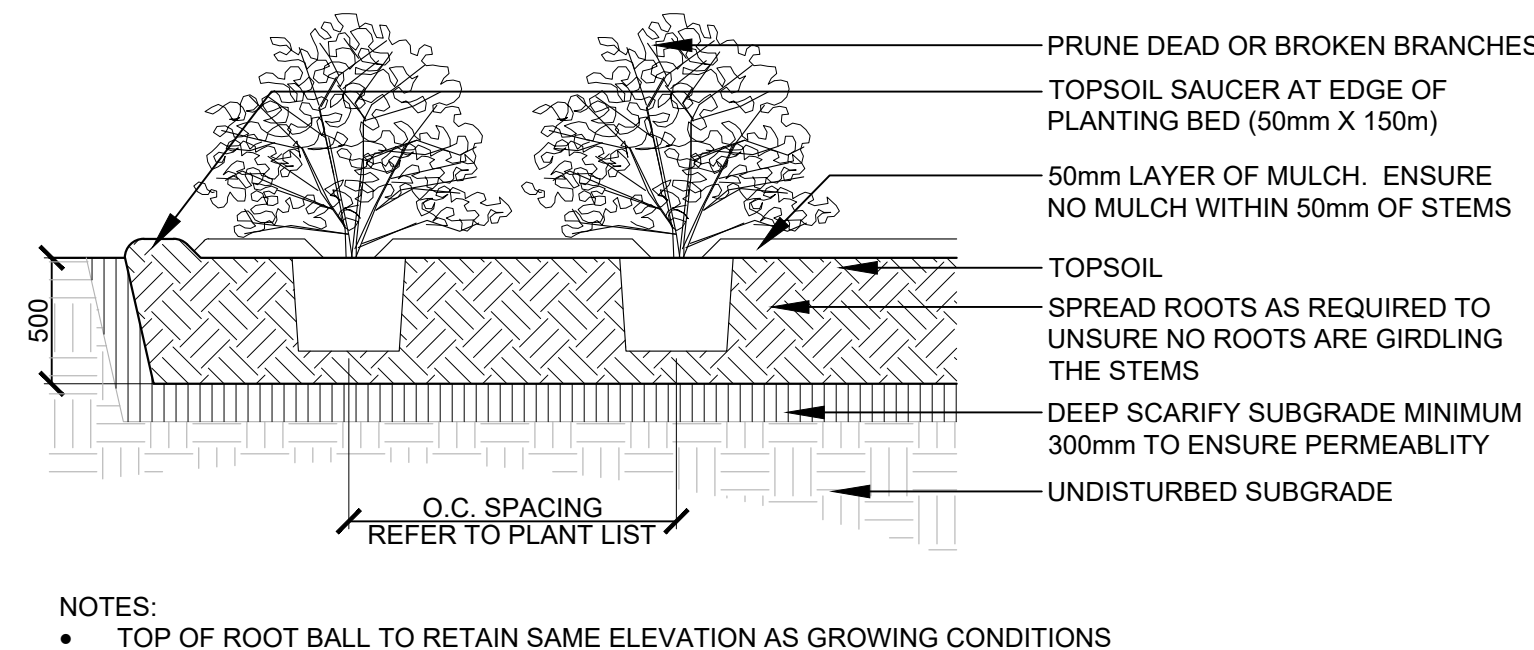
1 TREE PLANTING
3.3 SCALE - N.T.S.



4 TREE PROTECTION FENCE
3.3 SCALE - N.T.S.



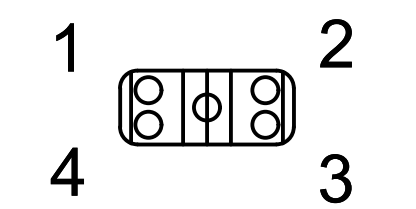
2 TREE PLANTING ON SLOPE
3.3 SCALE - N.T.S.



3 SHRUB / PERENNIAL PLANTING
3.3 SCALE - N.T.S.

NO.	DESCRIPTION	DATE
2	ISSUED FOR SPA	7 AUG 2024
1	ISSUED FOR PRE-CONSULTATION	31 MAY 2024

REVISIONS/ ISSUES
CONTRACTOR SHALL CHECK AND VERIFY ALL DIMENSIONS AND REPORT ANY OMISSIONS OR DISCREPANCIES TO THE ARCHITECT BEFORE PROCEEDING WITH THE WORK. DO NOT SCALE THE DRAWINGS



SEAL
ASSOCIATION OF LANDSCAPE ARCHITECTS
MEMBER
JAVINO S. BOUTON
© 2024 CSW Landscape Architects Limited. All rights Reserved.

DRAWN SE/JA
DATE MAY 2024
CHECKED JC/CM

LANSDOWNE
EVENT CENTRE

DWG. TITLE
LANDSCAPE DETAILS
PROPOSED DEVELOPMENT

SCALE AS SHOWN
DWG. NO. L3.3
PROJ. NO. CSW #1766-12