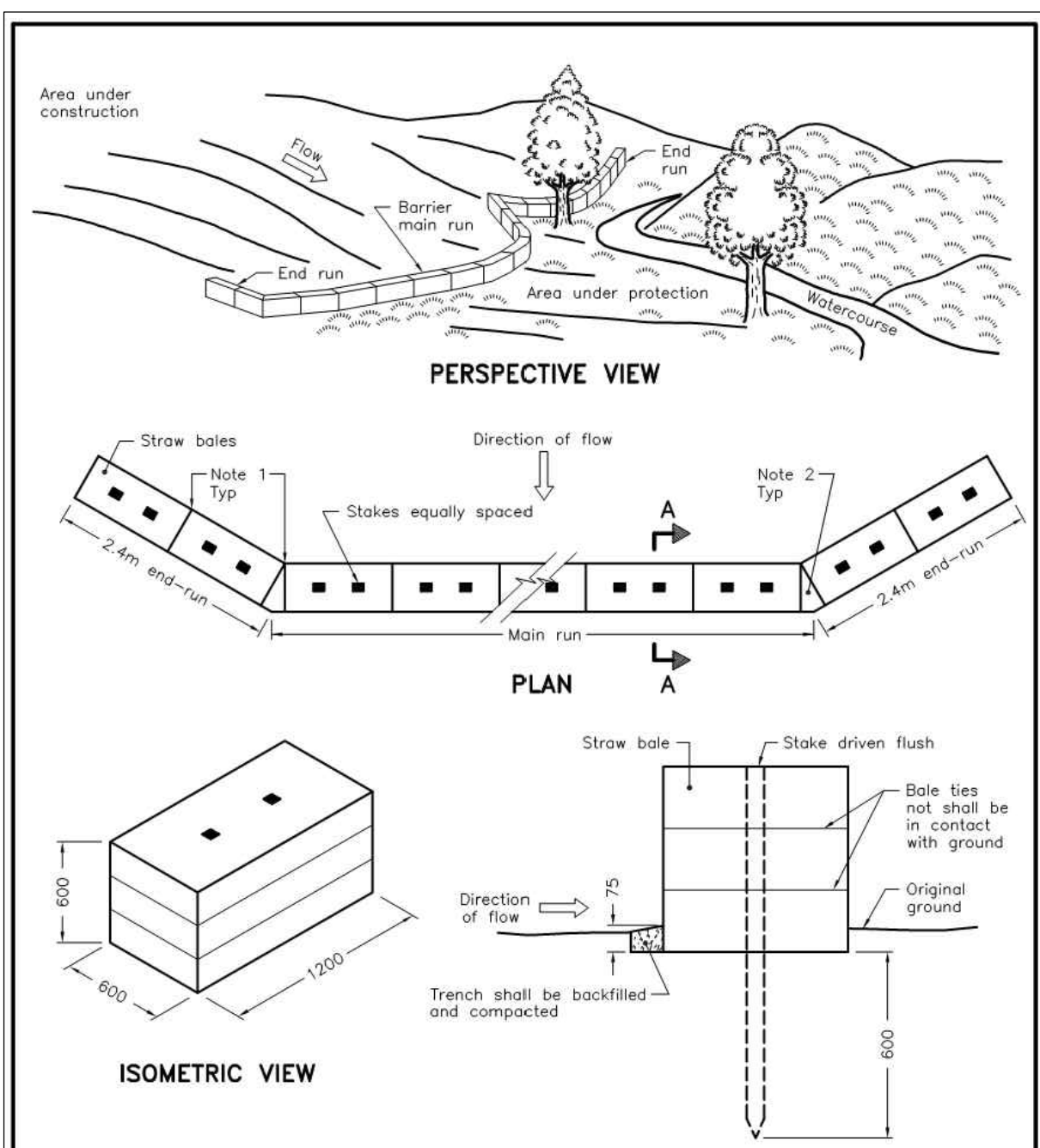


LEGEND

- PROPERTY LINE
- - - - EXISTING C OF ROAD
- - - - EXISTING EDGE OF GRAVEL
- - - - EXISTING EDGE OF PAVEMENT
- ~ ~ ~ ~ 300mm MINIMUM EXISTING TREE
- - - - EXISTING FENCE
- EXISTING UTILITY POLE
- SILT FENCE



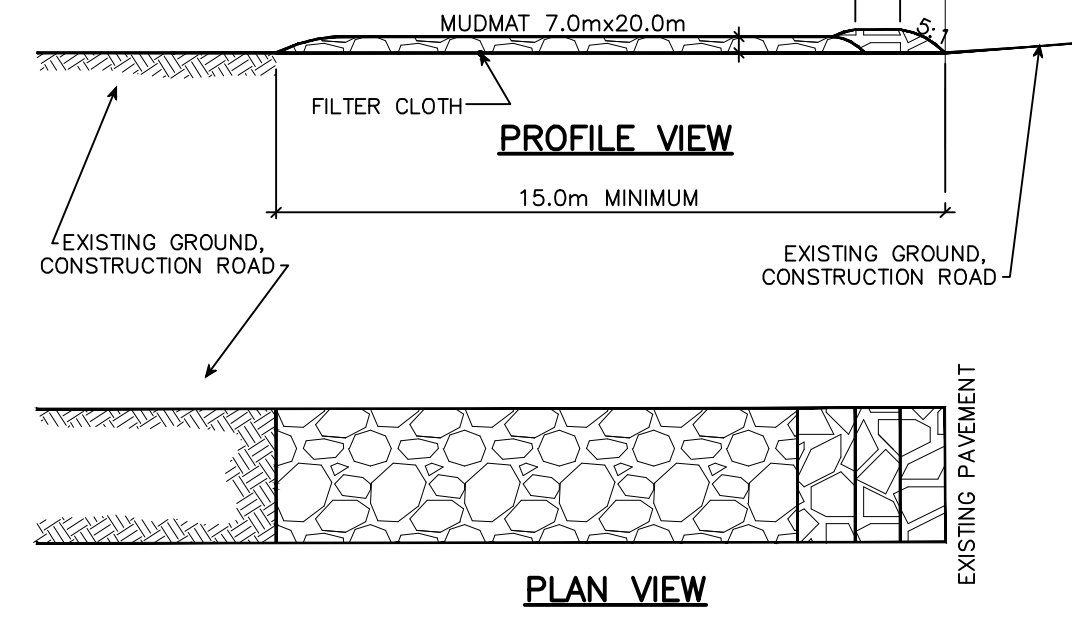
NOTES:

- 1 Straw bales shall be butted tightly against adjoining bales to prevent sediment flow through barrier.
- 2 Caulk and compact gaps with loose straw.
- 3 All dimensions are in millimetres unless otherwise shown.

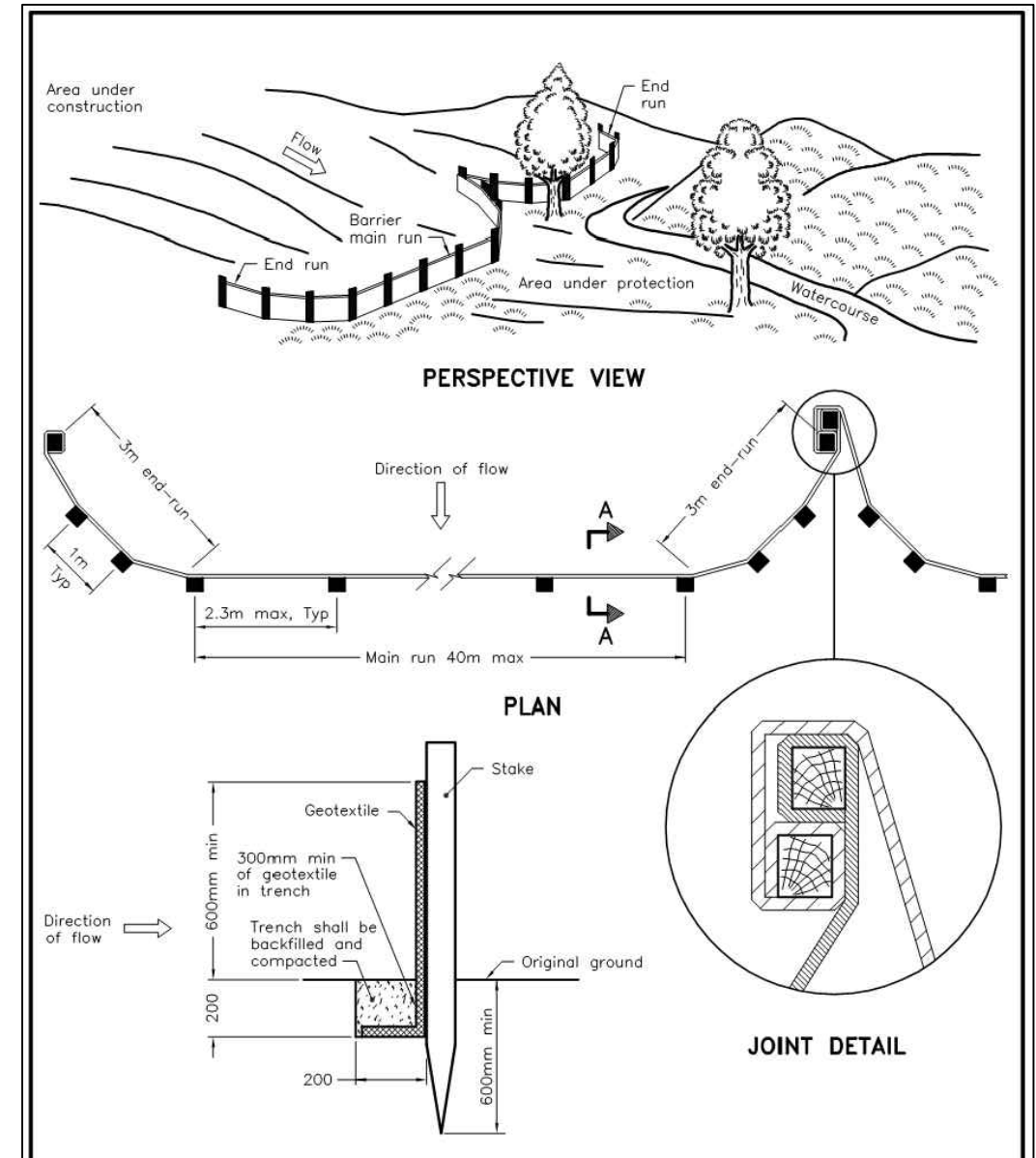
ONTARIO PROVINCIAL STANDARD DRAWING Nov 2015 Rev 2

LIGHT-DUTY STRAW BALE BARRIER

OPSD 219.100



- NOTES:**
1. STONE - USE CLEAR CRUSHED 100mm STONE.
 2. LENGTH - AS REQUIRED BUT NOT LESS THAN 15.0m.
 3. THICKNESS - NOT LESS THAN 300mm.
 4. WIDTH - 7.0m MINIMUM, NOT LESS THAN THE WIDTH AT POINTS WHERE INGRESS OR EGRESS OCCURS.
 5. FILTER CLOTH - WILL BE PLACED OVER THE ENTIRE AREA PRIOR TO PLACING STONE.
 6. MAINTENANCE - THE ENTRANCE SHALL BE MAINTAINED IN A CONDITION WHICH WILL PREVENT TRACKING OR FLOWING OF SEDIMENT ONTO PUBLIC RIGHT-OF-WAY. THIS MAY REQUIRE PERIODIC TOP DRESSING WITH ADDITIONAL STONE AS CONDITIONS DEMAND AND REPAIR AND/OR CLEAN OUT OF ANY MEASURES USED TO TRAP SEDIMENT. ALL SEDIMENT SPILLED, DROPPED OR TRACKED ONTO THE PUBLIC RIGHT-OF-WAY MUST BE REMOVED IMMEDIATELY.
 7. PERIODIC INSPECTION AND NEEDED MAINTENANCE SHALL BE PROVIDED AFTER EACH RAIN.



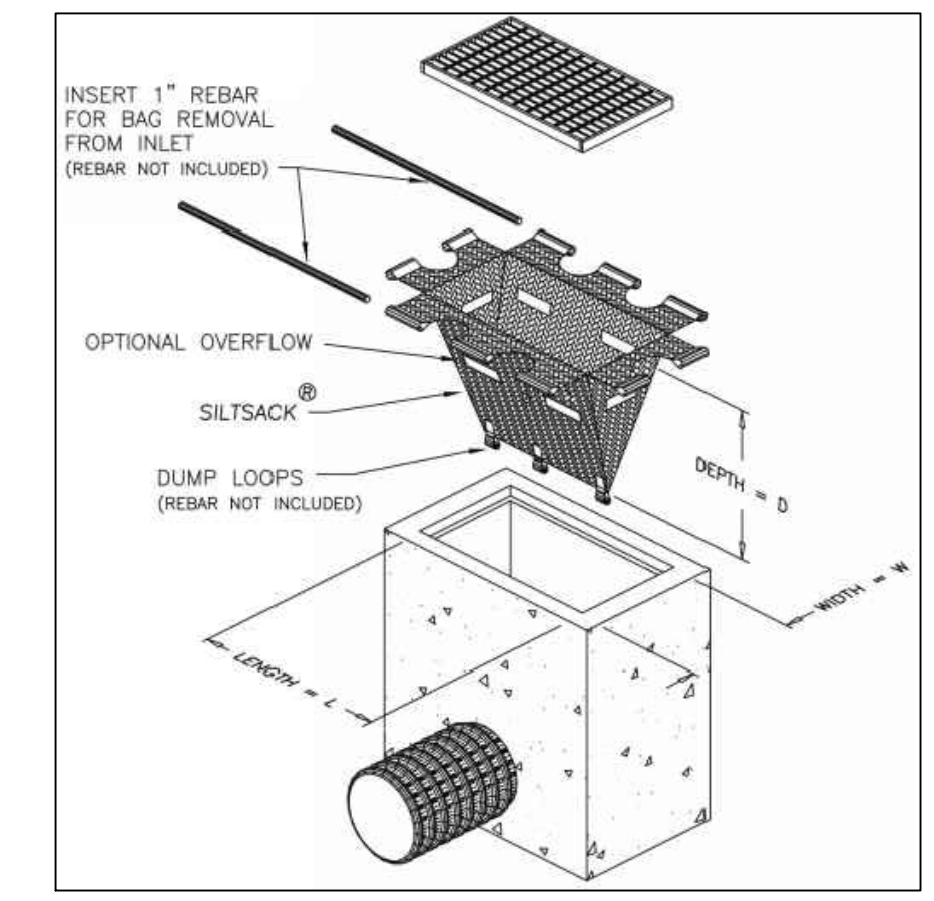
NOTES:

A All dimensions are in millimetres unless otherwise shown.

ONTARIO PROVINCIAL STANDARD DRAWING Nov 2015 Rev 2

LIGHT-DUTY SILT FENCE BARRIER

OPSD 219.110



PROVIDE FILTER BAGS AS SHOWN (GEO-SYNTHETICS MANUFACTURER OR APPROVED EQUIVALENT)

FILTER BAG DETAIL

N.T.S

- EROSION AND SEDIMENT CONTROLS DURING CONSTRUCTION.**
- DURING ALL CONSTRUCTION ACTIVITIES, EROSION AND SEDIMENTATION SHALL BE CONTROLLED BY THE FOLLOWING TECHNIQUES:
1. LIMITING THE EXTENT OF EXPOSED SOILS AT ANY GIVEN TIME.
 2. REVEGETATION OF EXPOSED AREAS AS SOON AS POSSIBLE.
 3. MINIMIZATION OF AREA TO BE CLEARED AND DISRUPTION TO ADJACENT AREAS.
 4. INSTALLATION OF FILTER CLOTH BETWEEN FRAME AND COVER ON ALL PROPOSED CATCH BASINS AND CATCH BASIN MANHOLES.
 5. A SILT FENCE TO BE INSTALLED 0.3m INSIDE THE SITE PROPERTY LINE TO LOCATIONS SHOWN ON THIS DRAWING.
 6. A VISUAL INSPECTION SHALL BE COMPLETED DAILY ON SEDIMENT CONTROL BARRIERS AND ANY DAMAGE REPAIRED IMMEDIATELY. CARE WILL BE TAKEN TO PREVENT DAMAGE DURING CONSTRUCTION OPERATIONS.
 7. IN SOME CASES SOME BARRIERS MAY BE REMOVED TEMPORARILY TO ACCOMMODATE THE CONSTRUCTION OPERATIONS, THE AFFECTED BARRIERS WILL BE REINSTATED AT NIGHT WHEN CONSTRUCTION IS COMPLETED.
 8. THE SEDIMENT CONTROL DEVICES WILL BE CLEANED OF ACCUMULATED SILT AS REQUIRED. THE DEPOSITS WILL BE DISPOSED OF AS PER THE REQUIREMENTS OF THE CONTRACT.
 9. DURING THE COURSE OF CONSTRUCTION IF THE ENGINEER BELIEVES THAT ADDITIONAL PREVENTION METHODS ARE REQUIRED TO CONTROL EROSION AND SEDIMENTATION, THE CONTRACTOR WILL INSTALL ADDITIONAL SILT FENCES OR OTHER METHODS AS REQUIRED TO THE SATISFACTION OF THE ENGINEER.
 10. CONSTRUCTION AND MAINTENANCE REQUIREMENTS FOR EROSION AND SEDIMENT CONTROLS TO COMPLY WITH ONTARIO PROVINCIAL STANDARD SPECIFICATION (OPSS) OPSS 805, AND CITY OF OTTAWA SPECIFICATIONS.
 11. SEDIMENT AND EROSION CONTROL MEASURES MAY BE MODIFIED IN THE FIELD AT THE DISCRETION OF THE CITY OF OTTAWA SITE INSPECTOR OR CONSERVATION AUTHORITY.

CAUTION

THE POSITION OF ALL POLE LINES, CONDUITS, WATERMANS, SEWERS AND OTHER UNDERGROUND AND OVERGROUND UTILITIES AND STRUCTURES IS NOT NECESSARILY SHOWN ON THE CONTRACT DRAWINGS, AND WHERE SHOWN, THE ACCURACY OF THE POSITION OF SUCH UTILITIES AND STRUCTURES IS NOT GUARANTEED. BEFORE STARTING WORK, DETERMINE THE EXACT LOCATION OF ALL SUCH UTILITIES AND STRUCTURES AND ASSUME ALL LIABILITY FOR DAMAGE TO THEM.

REV	REVISION DESCRIPTION	DATE	BY	APPD
1	SPA	06/08/24	AGJ	AJ



PulseSocieties Ltd.
 135 LAURIER AVE W, SUITE 100
 OTTAWA, ON. K1P 5J2
 613.612.3288

exp Services Inc.
 1-877-668-1899 | T: +1-613-225-7330
 1000 Commercial Drive, Unit 100
 Ottawa, ON K2B 8R6
 Canada
 www.exp.com

• BUILDINGS • EARTH & ENVIRONMENT • ENERGY •
 • INDUSTRIAL • INFRASTRUCTURE • SUSTAINABILITY •

PROJECT No.	OTT-24006872-AG
SURVEY	AGV
DATE	31/07/24
DRAWING No.	C300

1108 MAISONNEUVE
 OTTAWA, ONTARIO. K1C 1L1

EROSION AND SEDIMENT CONTROL PLAN

File Name: \\p01\p01\2024\11-24006872-AG\1108 Maisonneuve\1108 Maisonneuve - C300.dwg
 User: Suresh/11/24 4:13:49 PM
 Last Plot Date: 8/7/2024 4:10:48 PM
 Plotter: HP-DesignJet-3600-600-PS-Plotter
 Plot Style: HP-DesignJet-3600-600-PS-Plotter.ctb
 Scale: 1:100
 Sheet: 1 of 1