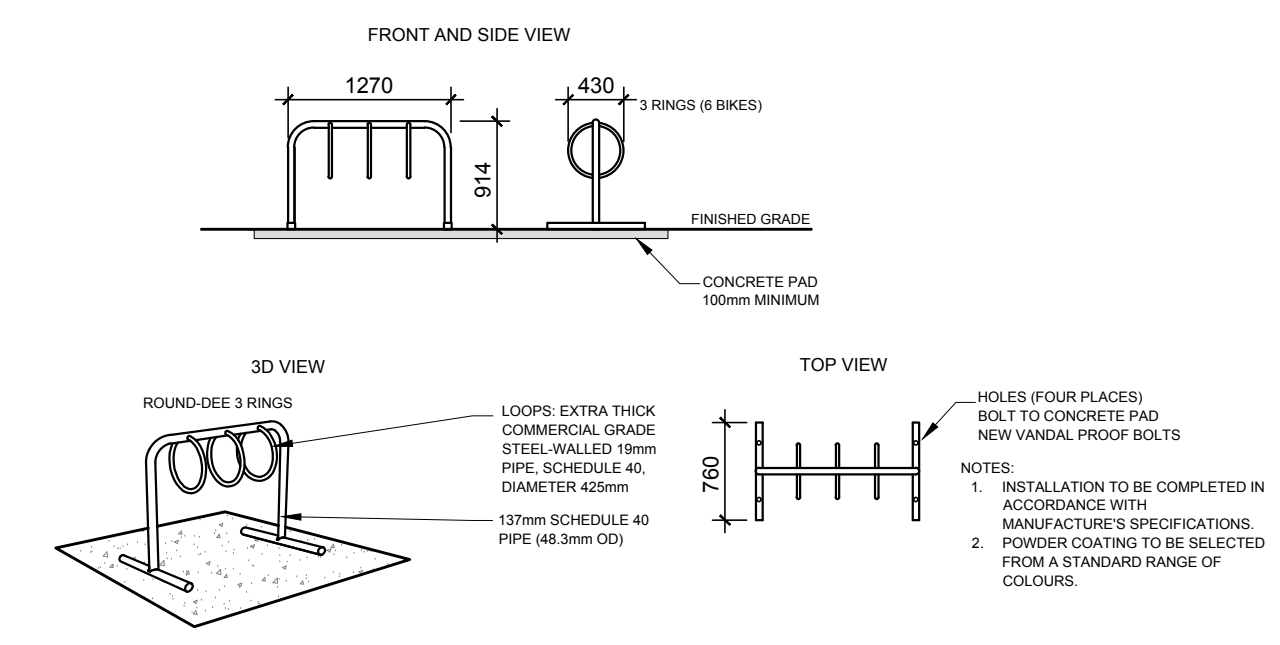


**GENERAL NOTES:**

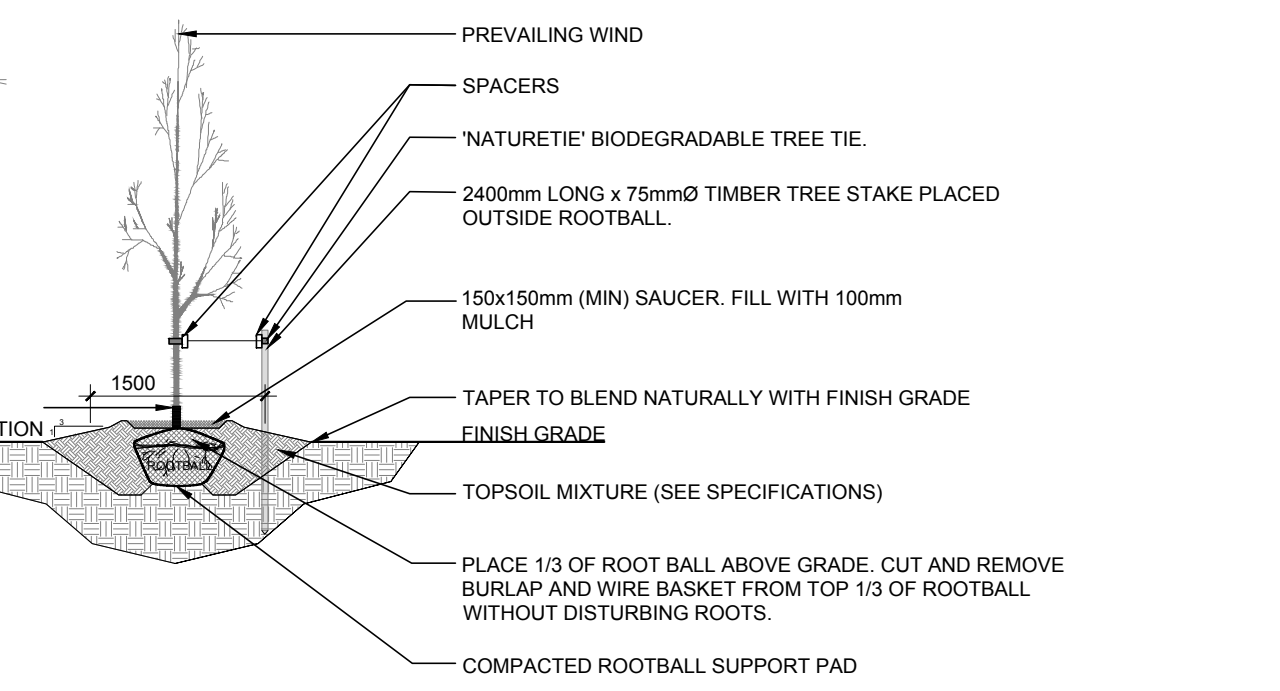
- IT IS THE RESPONSIBILITY OF THE APPROPRIATE CONTRACTOR OR OFFICIAL TO REPORT ANY ERRORS, OMISSIONS OR DISCREPANCIES ON THIS PLAN WITH ACTUAL SITE CONDITIONS TO THE LANDSCAPE ARCHITECT BEFORE PROCEEDING WITH CONSTRUCTION.
- THE CONTRACTOR IS TO NOTIFY ALL UTILITY COMPANIES AND AUTHORITIES PRIOR TO ANY EXCAVATION AND ASCERTAIN LOCATIONS OF UNDERGROUND SERVICES.
- THE CONTRACTOR IS TO REINSTATE ALL AREAS AND ITEMS DAMAGED AS A RESULT OF CONSTRUCTION ACTIVITY.
- THE CONTRACTOR IS TO COMPLY WITH ALL PERTINENT CODES AND BY-LAWS.
- THE CONTRACTOR IS TO MAINTAIN A POSITIVE SURFACE RUN-OFF THROUGHOUT THE ENTIRE CONSTRUCTION PERIOD.
- THE LANDSCAPE ARCHITECT IS NOT RESPONSIBLE FOR SUBSURFACE CONDITIONS.
- THE CONTRACTOR IS TO IDENTIFY ALL EXISTING TREES TO REMAIN ON SITE WITH THE LANDSCAPE ARCHITECT PRIOR TO CONSTRUCTION.
- THE CONTRACTOR IS TO STAKE THE PROPOSED LOCATION OF ALL PLANT MATERIAL IN CONJUNCTION WITH THE LANDSCAPE ARCHITECT PRIOR TO EXCAVATION.
- MINIMUM DISTANCES FOR SELECTED DECIDUOUS TREES ARE AS FOLLOWS:
  - BUILDING FOUNDATIONS - 7.5M
  - SIDEWALKS - 1.5M
  - PUBLIC STREETS - 2.5M
  - UNDERGROUND INFRASTRUCTURE - 2.0M
- ALL TREES WITHIN 1M OF UNDERGROUND UTILITY TRENCHES ARE TO BE EXCAVATED BY HAND.
- REMOVE ALL PROTECTIVE WRAPPING FROM TREE TRUNKS AFTER INSTALLATION.
- STAKING OF TREES SHALL ONLY BE PERFORMED IF NECESSARY.
- ENSURE THAT MULCH IS PULLED BACK A MINIMUM DISTANCE OF 75MM FROM BASE OF TREE TRUNK.

**EXISTING TREE LIST**

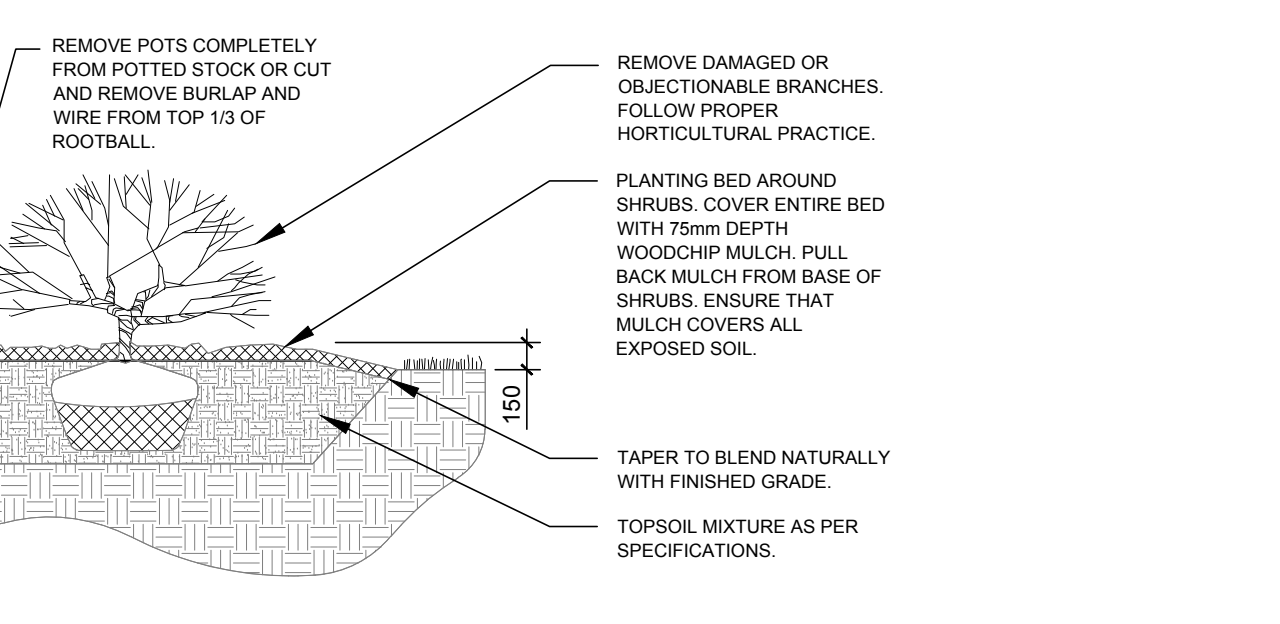
Tree #	COMMON NAME	BOTANICAL NAME	DBH (mm)	CRZ (m)	Ownership	Condition	Recommended Action
1	Norway Maple	<i>Acer platanoides</i>	340	3.4	1545 Merivale RD	Fair tar spot	To remain
2	Norway Maple	<i>Acer platanoides</i>	380	3.8	1547 Merivale RD	Fair tar spot	To remain
3	Siberian Elm	<i>Ulmus pumila</i>	2x200	2.0	1545 Merivale RD	Good	To remain
4	Siberian Elm	<i>Ulmus pumila</i>	2x170	1.7	1545 Merivale RD	Good	To remain
5	Manitoba Maple	<i>Acer negundo</i>	400	4.0	1547 Merivale RD	Dead	To remain
6	Siberian Elm	<i>Ulmus pumila</i>	310	3.1	1547 Merivale RD	Good	To remain
7	Common Buckthorn	<i>Rhamnus cathartica</i>	100	1.0	1545 Merivale RD	Good	To remain
8	Siberian Elm	<i>Ulmus pumila</i>	330	3.3	1545 Merivale RD	Good	To remain
9	Manitoba Maple	<i>Acer negundo</i>	5x150-350	3.5	1545 Merivale RD	Poor	To be removed
10	Common Buckthorn	<i>Rhamnus cathartica</i>	2x150	1.5	1545 Merivale RD	Good	To be removed
11	Common Buckthorn	<i>Rhamnus cathartica</i>	100	1	1545 Merivale RD	Dead	To be removed
12	American Elm	<i>Ulmus americana</i>	280	2.6	1545 Merivale RD	Fair	To be removed
13	Norway Maple	<i>Acer platanoides</i>	140	1.4	1545 Merivale RD	Good	To be removed
14	Manitoba Maple	<i>Acer negundo</i>	2x220	2.2	1545 Merivale RD	Good	To be removed
15	Common Buckthorn	<i>Rhamnus cathartica</i>	2x200	2.0	1545 Merivale RD	Fair	To be removed
16	Common Buckthorn	<i>Rhamnus cathartica</i>	100	1.0	1545 Merivale RD	Good	To be removed
17	Siberian Elm	<i>Ulmus pumila</i>	160	1.6	1545 Merivale RD	Fair	To be removed
18	Manitoba Maple	<i>Acer negundo</i>	10x100-200	2.0	1545 Merivale RD	Poor	To be removed



**PROPOSED THREE (3) RING BIKE RACK**  
SCALE: NTS



**DECIDUOUS TREE PLANTING**  
SCALE: NTS



**SHRUB / PERENNIAL / ORNAMENTAL GRASS PLANTING**  
SCALE: NTS

**CLIENT**  
1545A MERIVALE INC.

**CONSULTANTS**  
ARCHITECTS: (L+D) LANDSCAPE ARCHITECTS INC.  
CIVIL ENGINEERS: NOVATECH ENGINEERING CONSULTANTS LTD.

**LEGEND**

- EXISTING TREE TO REMAIN
- EXISTING TREE TO BE REMOVED
- GROUP OF EXISTING TREES TO BE REMOVED
- PROPOSED SHRUBS / PERENNIALS / ORNAMENTAL GRASSES
- PROPOSED DECIDUOUS TREE
- PROPOSED RIVERSTONE MULCH
- PROPOSED SOD
- TREE PROTECTION FENCE
- PROPOSED LIGHT STANDARD

No.	Issue	Date	DR	CK
11	REVISED PER NEW SITE PLAN	06/17/2024	ML	JL
10	REVISED PER NEW SITE PLAN	05/16/2024	ML	JL
9	ISSUED FOR COORDINATION	04/18/2024	ML	JL
8	REVISED PER NEW SITE PLAN	03/08/2024	ML	JL
7	REVISED PER BUILDING PERMIT COMMENTS	01/23/2024	ML	JL
6	ISSUED FOR TENDER	11/02/2023	ML	JL
5	TREE #8 RETAINED	08/09/2023	ML	JL
4	REVISED PER CITY COMMENTS	07/13/2023	ML	JL
3	REVISED PER CITY COMMENTS	06/20/2023	ML	JL
2	REVISED PER CITY COMMENTS	05/19/2023	ML	JL
1	ISSUED FOR SITE PLAN CONTROL	12/19/2022	ML	JL

**JAMES B. LENNOX & ASSOCIATES INC.**  
LANDSCAPE ARCHITECTS  
3332 CARLING AVE. OTTAWA, ONTARIO K2H 5A8  
Tel: (613) 722-5168 Fax: (1866) 343-3942

**PROJECT**  
MERIVALE MEDICAL IMAGING CLINIC  
1545 MERIVALE ROAD, OTTAWA ON

**DRAWING**  
TREE CONSERVATION REPORT & LANDSCAPE PLAN

**STAMP**

AS SHOWN

START DATE  
OCTOBER 2022

PROJECT NO.  
23MIS2305

DRAWING NO.  
L.1

**PROJECT NORTH**

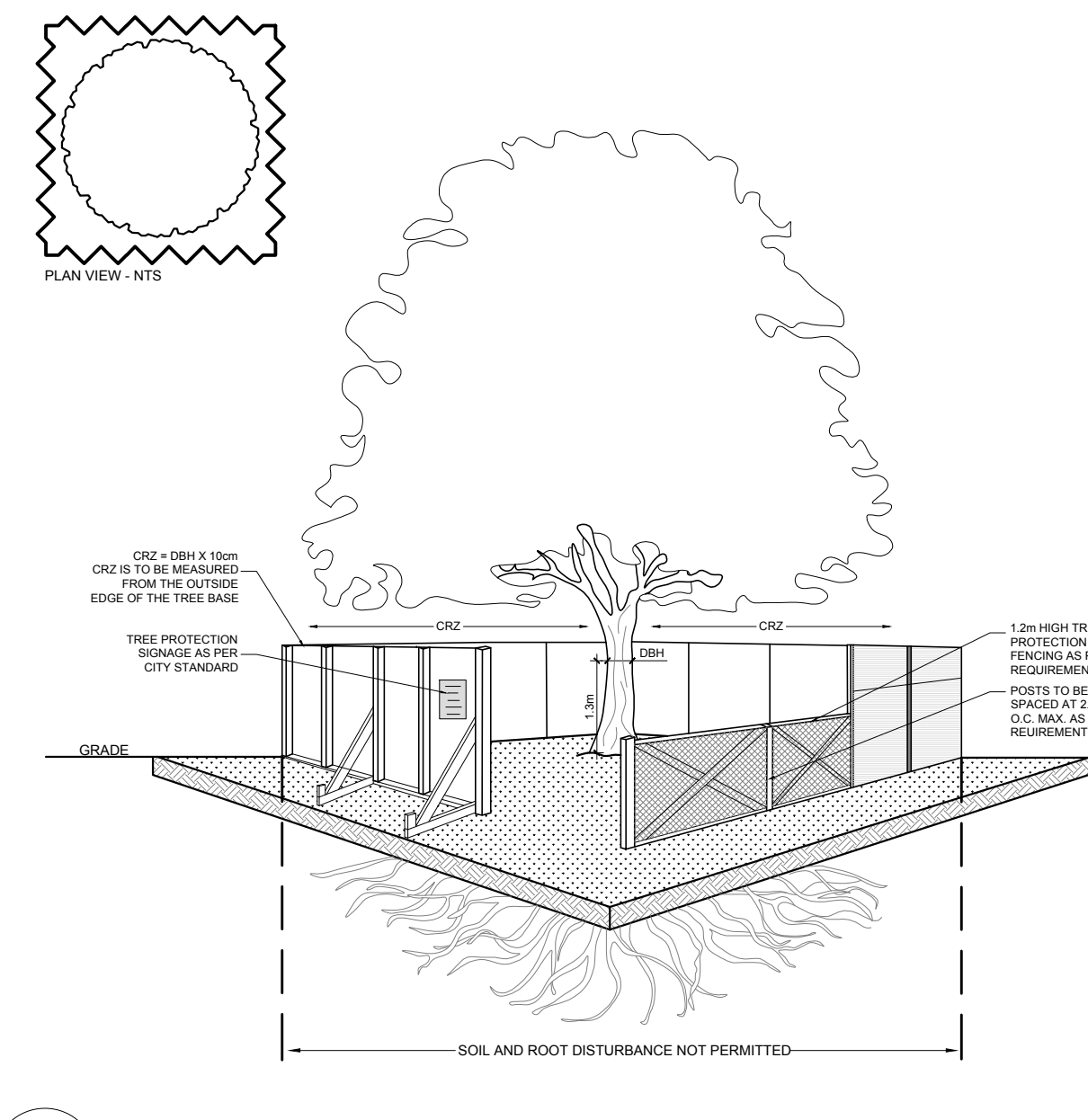
**L.1**

PLOT SIZE ARCH-D

**PROPOSED PLANT LIST**

KEY	Qty.	BOTANICAL NAME	COMMON NAME	SIZE	CONDITION	REMARKS
<b>TREES</b>						
AM	4	<i>Acer x freemanii</i> 'Armstrong'	Armstrong Maple	60mm cal.	B&B	
FM	1	<i>Acer x freemanii</i>	Freeman's Maple	60mm cal.	B&B	
HL	1	<i>Celtis occidentalis</i>	Hackberry	60mm cal.	B&B	
HL	3	<i>Gleditsia triacanthos</i> 'Draves'	Streetkeeper Honey Locust	60mm cal.	B&B	
PE	2	<i>Ulmus wilsoniana</i> 'Prospector'	Prospector Elm	60mm cal.	B&B	
<b>SHRUBS</b>						
JU	9	<i>Juniperus virginiana</i>	Eastern Red Cedar	1800mm ht.	Potted	Space 450mm o.c.
BB	31	<i>Eucryphia alatus</i> 'Compactus'	Dwarf Burning Bush	600mm ht.	Potted	Space 1000mm o.c.
RR	14	<i>Rosa rugosa</i>	Rugosa Rose	600mm ht.	Potted	Space 1000mm o.c.
SF	20	<i>Sorbaria sorbifolia</i> 'Sem'	Sem False Spirea	600mm ht.	Potted	Space 1000mm o.c.
<b>ORNAMENTAL GRASSES &amp; PERENNIALS</b>						
DL	20	<i>Hemerocallis</i> 'Stella D'Oro'	Stella D'Oro Daylily	100mm pot	Potted	Space 400mm o.c.
KF	67	<i>Calamagrostis x acutiflora</i> 'Karl Foerster'	Feather Reed Grass	250mm pot	Potted	Space 800mm o.c.
PG	49	<i>Miscanthus sinensis</i> 'Strictus'	Porcupine Grass	250mm pot	Potted	Space 400mm o.c.

**TREE CONSERVATION REPORT & LANDSCAPE PLAN**  
SCALE: 1:250



**TREE PROTECTION FENCE**  
SCALE: NTS

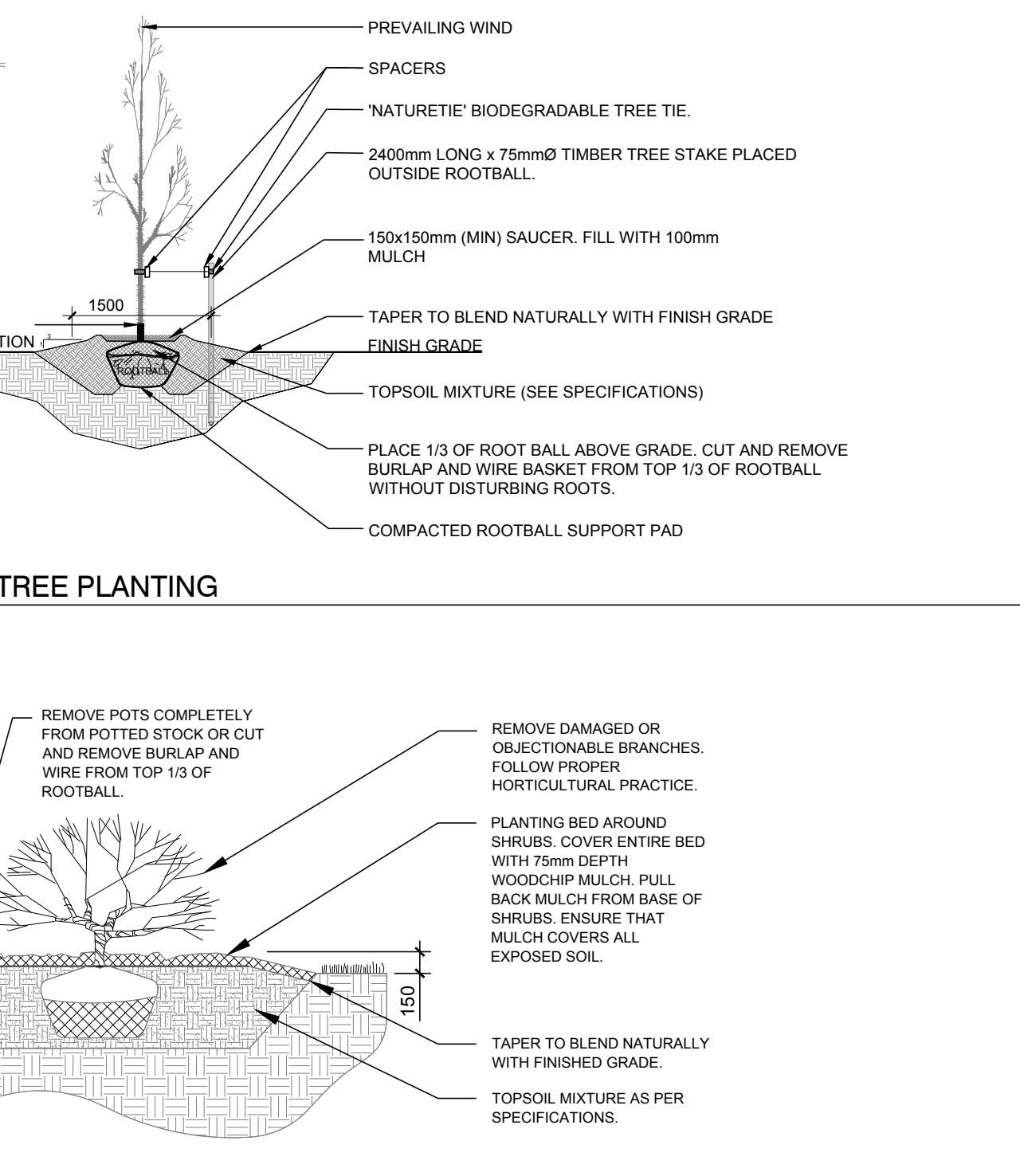
**TREE PROTECTION REQUIREMENTS:**

- PROVIDE TO ANY WORK ACTIVITY WITHIN THE CRITICAL ROOT ZONE (CRZ) - 10x DIAMETER OF A TREE. TREE PROTECTION FENCING MUST BE INSTALLED SURROUNDING THE CRITICAL ROOT ZONE AND REMAIN IN PLACE UNTIL THE WORK IS COMPLETE.
  - DO NOT PLACE ANY MATERIAL OR EQUIPMENT INCLUDING OUTHOUSES.
  - DO NOT ATTACH ANY SIGNS, NOTICES OR POSTERS TO ANY TREE.
  - DO NOT RAISE OR LOWER THE EXISTING GRADE, TUNNEL, OR BORE WHEN DIGGING.
  - DO NOT DAMAGE THE ROOT SYSTEM, TRUNK, OR BRANCHES OF ANY TREE.
  - ENSURE THAT EXHAUST FUMES FROM ALL EQUIPMENT ARE NOT DIRECTED TOWARD ANY TREE CANOPY.
  - DO NOT EXTEND HARD SURFACE OR SIGNIFICANTLY CHANGE LANDSCAPING.
- UNLESS PLANS ARE APPROVED BY CITY FORESTRY STAFF, FOR WORK WITHIN THE CRZ:
  - DO NOT RAISE OR LOWER THE EXISTING GRADE.
  - DO NOT PLACE ANY MATERIAL OR EQUIPMENT INCLUDING OUTHOUSES.
  - DO NOT ATTACH ANY SIGNS, NOTICES OR POSTERS TO ANY TREE.
  - DO NOT RAISE OR LOWER THE EXISTING GRADE, TUNNEL, OR BORE WHEN DIGGING.
  - DO NOT DAMAGE THE ROOT SYSTEM, TRUNK, OR BRANCHES OF ANY TREE.
  - ENSURE THAT EXHAUST FUMES FROM ALL EQUIPMENT ARE NOT DIRECTED TOWARD ANY TREE CANOPY.
  - DO NOT EXTEND HARD SURFACE OR SIGNIFICANTLY CHANGE LANDSCAPING.
- TREE PROTECTION FENCING MUST BE AT LEAST 1.2m IN HEIGHT AND BE CONSTRUCTED OF RIGID OR FRAMED MATERIALS (E.G. MODULAR STEEL, PLYWOOD HOARDING, OR SNOW FENCE ON A 2"x4" WOOD FRAME) WITH POSTS 2.4m APART, SUCH THAT THE FENCE LOCATION CANNOT BE ALTERED. ALL SUPPORTS AND BRACKING MUST BE PLACED OUTSIDE OF THE CRZ, AND INSTALLATION MUST MINIMIZE DAMAGE TO EXISTING ROOTS. (SEE DETAIL).
- THE LOCATION OF THE TREE PROTECTION FENCING MUST BE DETERMINED BY AN ARBORIST AND DETAILED ON AN ASSOCIATED PLANS FOR THE SITE (E.G. TREE CONSERVATION REPORT, TREE DISCLOSURE REPORT, ETC). THE PLAN AND CONSTRUCTED FENCING MUST BE APPROVED BY CITY FORESTRY STAFF PRIOR TO THE COMMENCEMENT OF WORK.
  - IF THE FENCED TREE PROTECTION AREA MUST BE REDUCED TO FACILITATE CONSTRUCTION, MITIGATION MEASURES MUST BE PRESCRIBED BY AN ARBORIST AND APPROVED BY CITY FORESTRY STAFF. THESE MAY INCLUDE THE PLACEMENT OF PLYWOOD, WOOD CHIPS OR STEEL PLATING OVER THE ROOTS FOR PROTECTION OR THE PROPER PRUNING AND CARE OF ROOTS WHERE ENCOUNTERED.

**BY-LAWS:**

ALL CITY OWNED TREES ARE PROTECTED UNDER THE MUNICIPAL TREES AND NATURAL AREAS PROTECTION BY-LAW (2008-27). WITHIN THE URBAN AREA.

PRIVATELY OWNED TREES GREATER THAN 50cm IN DIAMETER ON LOTS 1 HECTARE IN SIZE OR LESS, AND TREES GREATER THAN 10cm IN DIAMETER ON LOTS GREATER THAN 1 HECTARE, ARE PROTECTED UNDER THE URBAN TREE CONSERVATION BY-LAW (2008-200).



**TREE PROTECTION FENCE**  
SCALE: NTS