

PLANTING SCHEDULE

KEY	QTY.	BOTANICAL NAME	COMMON NAME	SIZE / CONDITION / SPACING
DECIDUOUS TREES				
CM	1	Crataegus x mordenensis 'Toba'	Thornless Toba Hawthorn	50mm cal. / W.B.
DECIDUOUS SHRUBS				
Bt	24	Berberis thunbergii 'Aurea Nana'	Golden Dwarf Japanese Barberry	#2 Pot / 60cm sp.
Ca	6	Clethra alnifolia 'Hummingbird'	Summersweet	#2 Pot / 80cm sp.
Hp	12	Hydrangea paniculata Bobo	Bobo Hydrangea	#2 Pot / 80cm. sp.
Si	8	Spiraea japonica 'Anthony Waterer'	Anthony Waterer Spirea	40cm #3 Pot / 60cm sp.
Sm	3	Syringa meyeri 'Palibin'	Dwarf Korean Lilac	80cm ht. #7 Pot / 100cm sp.
EVERGREEN SHRUBS				
Tc	3	Taxus cuspidata 'Nana'	Drawl Japanese Yew	40cm #5 Pot / 1.2 m sp.
PERENNIALS & GRASSES				
af	9	Athyrium filix-femina	Lady Fern	#1 Pot / 60cm o.c.
hf	5	Hosta 'Fire Island'	Fire Island Hosta	#1 Pot / 60cm o.c.
hh	4	Hosta 'Halcyon'	Halcyon Hosta	#1 Pot / 85cm o.c.
hj	6	Hosta 'June'	June Hosta	#1 Pot / 70cm o.c.
hk	2	Hosta 'Krossa Regal'	Krossa Regal Hosta	#1 Pot / 120cm o.c.
hr	3	Hosta 'Royal Standard'	Royal Standard Hosta	#1 Pot / 115cm o.c.
pa	15	Perovskia atriplicifolia 'Denim 'n Lace'	Russian Sage	#1 Pot / 45cm o.c.
ti	39	Tiarella cordifolia	Foam Flower	#1 Pot / 40cm sp.

NOTES:

DO NOT SCALE DRAWINGS;

NOTES ARE APPLICABLE TO ALL DRAWINGS IN THE SET;

Fotenn Consultants Inc. IS NOT RESPONSIBLE FOR ACCURACY OF BASE INFORMATION;

THIS PLAN IS TO BE READ IN CONJUNCTION WITH THE TREE CONSERVATION REPORT PREPARED BY IFS ASSOCIATES

REFER TO CIVIL ENGINEERING DRAWINGS FOR GRADING & SITE SERVICING INFORMATION;

THE CONTRACTOR IS RESPONSIBLE FOR CONFIRMING SITE CONDITIONS AND REPORTING ANY DISCREPANCIES TO THE LANDSCAPE ARCHITECT;

THE CONTRACTOR IS RESPONSIBLE FOR CONFIRMING EXACT LOCATIONS OF ALL UNDERGROUND SERVICES AND OBTAINING CLEARANCE FROM ALL APPLICABLE UTILITIES. PROPOSED WORKS FOUND TO BE IN CONFLICT WITH UNDERGROUND SERVICES MAY BE ADJUSTED AT THE DIRECTION OF THE LANDSCAPE ARCHITECT;

LANDSCAPE ELEMENTS SHOWN ARE SUBJECT TO THE FINAL LOCATION OF UNDERGROUND SERVICES AND UTILITIES;

DO NOT INSTALL TREES ON PROPERTY / LOT LINES OR WITHIN DRAINAGE EASEMENTS;

PERFORM WORK IN ACCORDANCE WITH DETAILS AND SPECIFICATIONS;

ALL PLANT MATERIAL SHALL BE No. 1 NURSERY STOCK AND SHALL MEET OR EXCEED THE SPECIFICATION OF THE Canadian Standards for Nursery Stock, AS PUBLISHED BY THE Canadian Nursery Landscape Association;

SPECIES SUBSTITUTIONS ARE NOT PERMITTED WITHOUT PRIOR WRITTEN APPROVAL OF THE LANDSCAPE ARCHITECT;

ALL UN-PAVED SURFACES TO RECEIVE 150mm DEPTH TOPSOIL & SOD.

Andrew McCreight

ANDREW MCCREIGHT
MANAGER, DEVELOPMENT REVIEW CENTRAL
PLANNING, DEVELOPMENT & BUILDING SERVICES
DEVELOPMENT DEPARTMENT, CITY OF OTTAWA

APPROVED
 By Andrew McCreight at 7:34 am, May 23, 2024

Copyright Reserved
 The Copyrights to all designs and drawings are the property of Fotenn Consultants Inc. Unauthorized reproduction or use is forbidden. DO NOT SCALE DRAWING

Copyright réservés
 Les droits d'auteur à tous les modèles et dessins sont la propriété de Fotenn Consultants Inc. Toute reproduction ou utilisation non autorisée est interdite. NE PAS L'ÉCHELLE DE DESSIN



- Legend / légende
- LIMIT OF WORK
 - EXISTING TREES TO REMAIN - REFER TO TCR FOR TREE CONSERVATION/REMOVALS AND CITY OF OTTAWA STANDARD TREE PROTECTION SPECIFICATION
 - TRUNK LOCATION OF EXISTING TREE (AS PER TOPO SURVEY)
 - PROPOSED MEDIUM DECIDUOUS TREE
 - PROPOSED SHRUB / PERENNIAL PLANTING
 - ↓ SOD
 - ▨ PERMEABLE PRECAST CONCRETE UNIT PAVERS - REFER TO 2-L2
 - ▨ PRECAST CONCRETE UNIT PAVERS - REFER TO 3-L2
 - ▨ PERMEABLE GRID SYSTEM - REFER TO 8-L2
 - ▨ RIVER STONE

rev'n	description / la description	yyyy/mm/dd
04	Re-issued for Site Plan Control	2023-03-28
03	Re-issued for Site Plan Control	2023-03-15
02	Re-issued for Site Plan Control	2023-03-10
01	Issued for Site Plan Control	2023-01-25
00	Issue for Client Review	2022-06-16

FOTENN Planning + Design
 396 Cooper Street, Suite 300
 Ottawa, ON, CANADA K2P 2H7
 613.730.5709
 fotenn.com



project / projet

211 ARMSTRONG STREET

drawing / dessin

LANDSCAPE PLAN

designed / conçu	drawn / dessiné	reviewed / examiné
SG	SG	OM/DF
date	project number / No. du projet	
JUNE 2022		
drawing number / No. du dessin		

1 LANDSCAPE PLAN
L1 1:75

NOT FOR CONSTRUCTION

L1 of 2

#18847

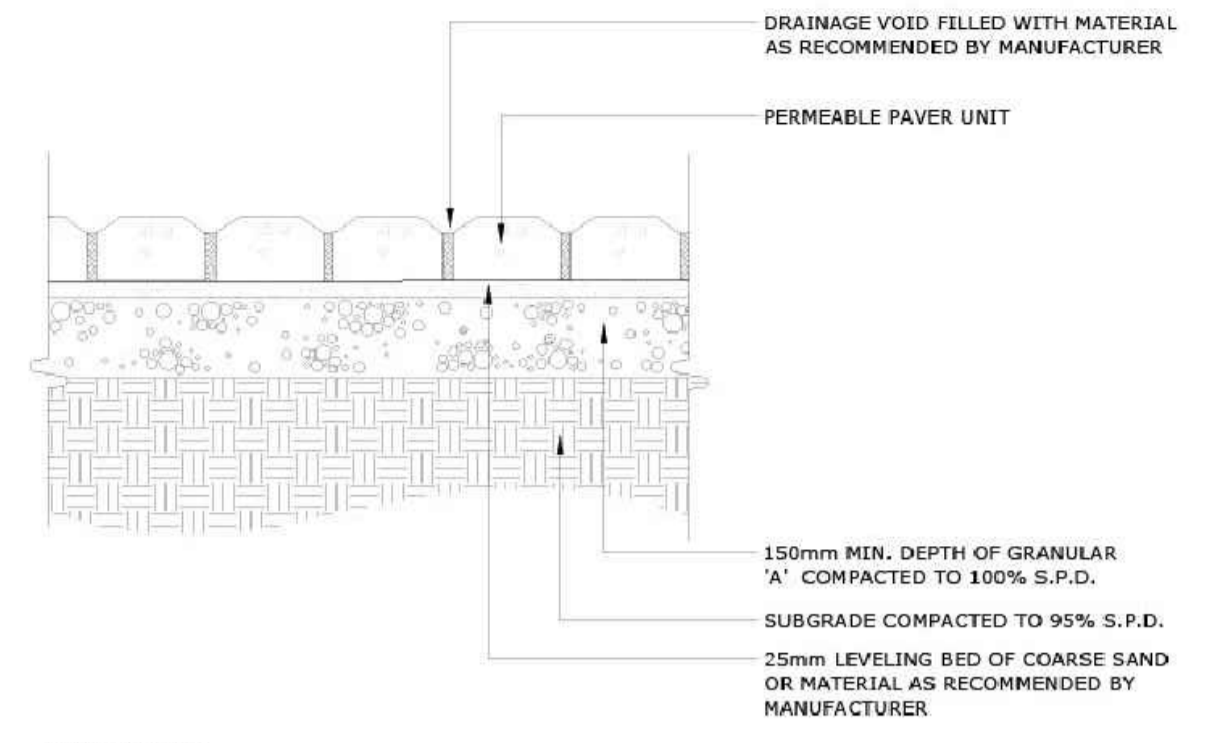


Legend / légende

NOT FOR CONSTRUCTION

Andrew McCreight
ANDREW MCCREIGHT
 MANAGER, DEVELOPMENT REVIEW CENTRAL
 PLANNING, DEVELOPMENT & BUILDING SERVICES
 DEVELOPMENT DEPARTMENT, CITY OF OTTAWA

APPROVED
 By Andrew McCreight at 7:34 am, May 23, 2024



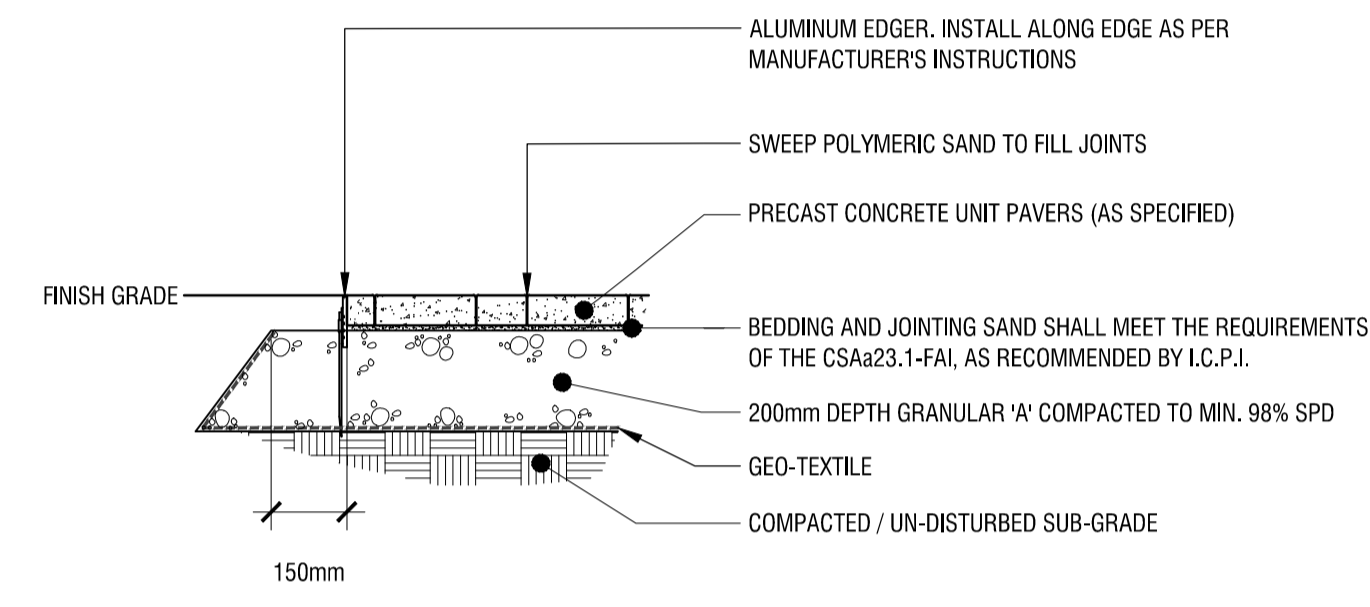
WORKMANSHIP
 PERMEABLE PAVERS BY UNILOCK LIMITED OR APPROVED EQUAL PAVERS SHALL BE INSTALLED IN STRICT ACCORDANCE WITH THE MANUFACTURER'S RECOMMENDATIONS WITH TIGHT BUTT JOINTS OF APPROXIMATELY 3mm, ON A SAND BASE. SAW CUT PAVERS AS REQUIRED. USE AN APPROVED VIBRATORY COMPACTOR IN A CIRCULAR PATTERN. ALL DAMAGED OR CHIPPED PAVERS MUST BE REPLACED AT THE CONTRACTOR'S COST

PREPARATION
 EXCAVATE AND REMOVE ALL TOPSOIL AND UNSTABLE MATERIALS OFF SITE. SUBGRADE TO BE GRADED TO SIMILAR CONTOURS AS FINISH GRADE. COMPACT SUBGRADE TO 95% S.P.D. PLACE 150mm LAYER OF GRANULAR 'A' COMPACTED TO 100% S.P.D. PLACE MAXIMUM 25mm UNCOMPACTED SAND FOR LEVELING COURSE OR MATERIAL AS RECOMMENDED BY MANUFACTURER

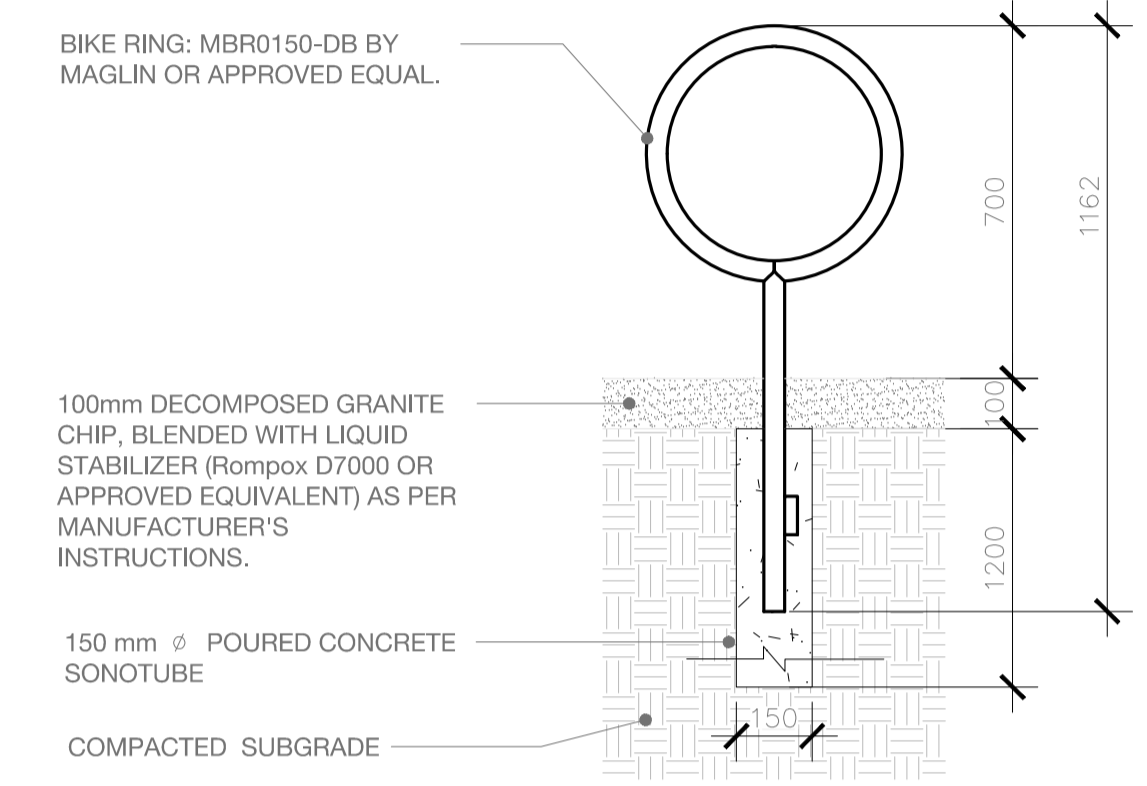
INSTALL PERMEABLE UNITS IN THE PATTERN SPECIFIED ON THE PLAN DRAWING OR PER MANUFACTURER'S PATTERN RECOMMENDATION

ALL MEASUREMENTS ARE IN MILLIMETRES UNLESS NOTED OTHERWISE

	TITLE: PERMEABLE PAVING	DATE: FEB 2013
		REV: FEB 2016
		DWG No: SC27



3 PRE-CAST CONCRETE UNIT PAVER
 L2 1:15

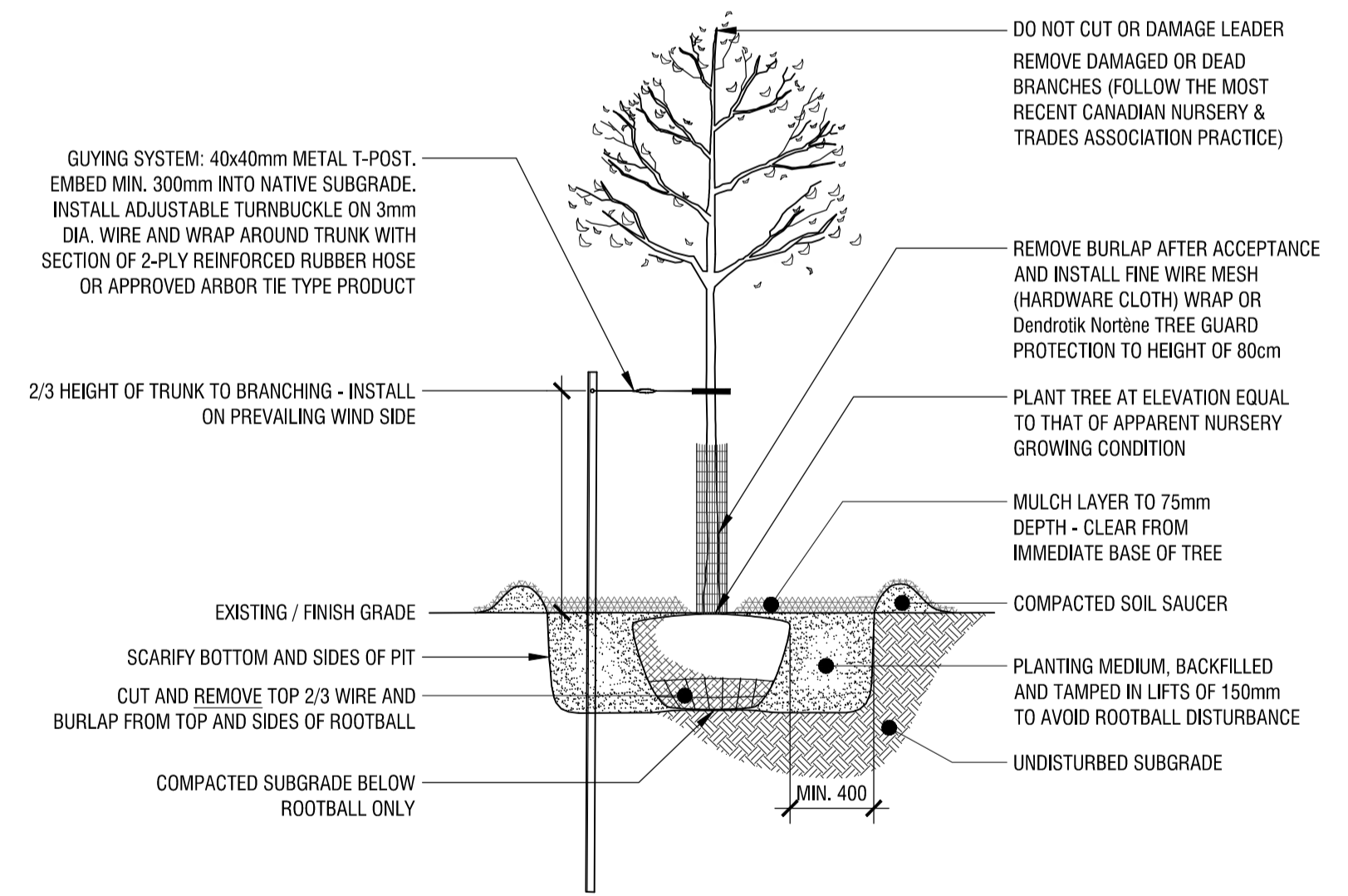


4 BIKE RACK
 L2 1:15

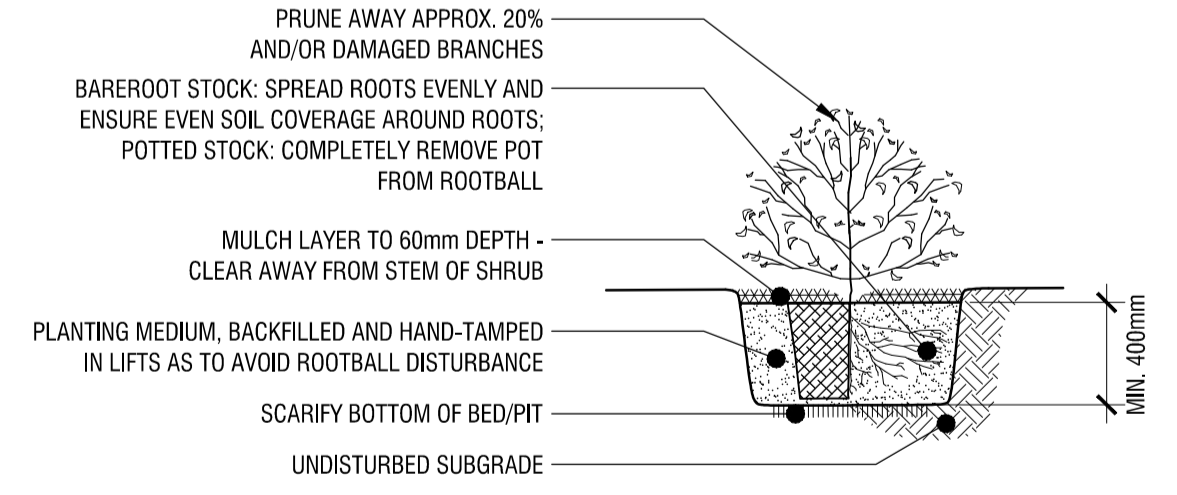


1 1.8m CEDAR PRIVACY FENCE (EXAMPLE)
 L2 NTS

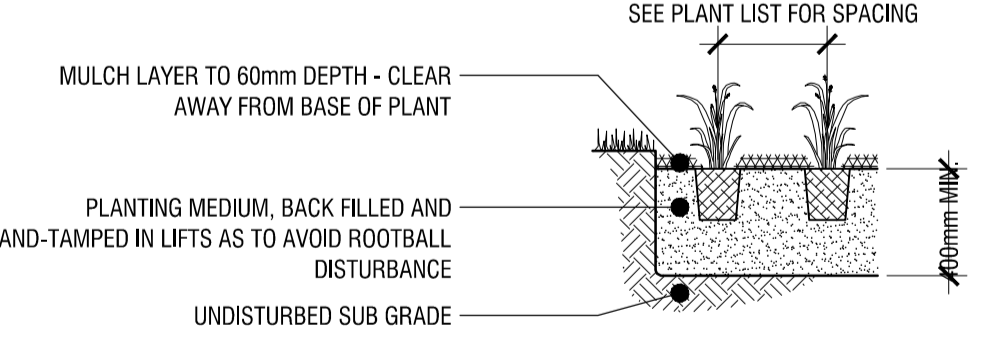
2 PERMEABLE PRE-CAST CONCRETE UNIT PAVER
 L2 NTS



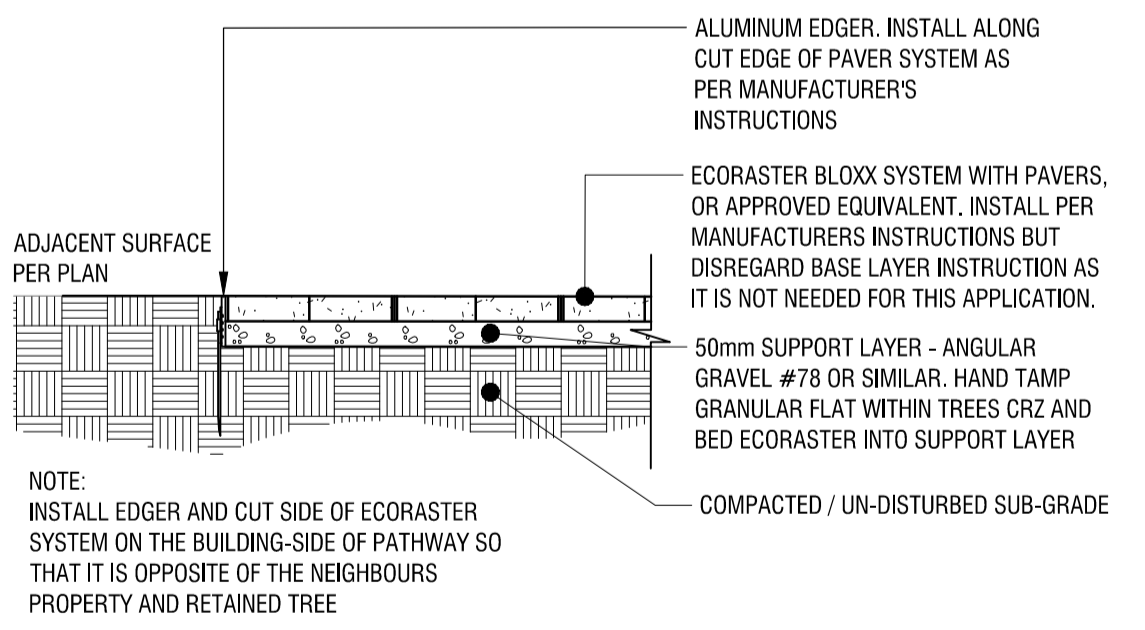
5 DECIDUOUS TREE PLANTING DETAIL
 L2 1:30



6 SHRUB PLANTING DETAIL
 L2 1:30



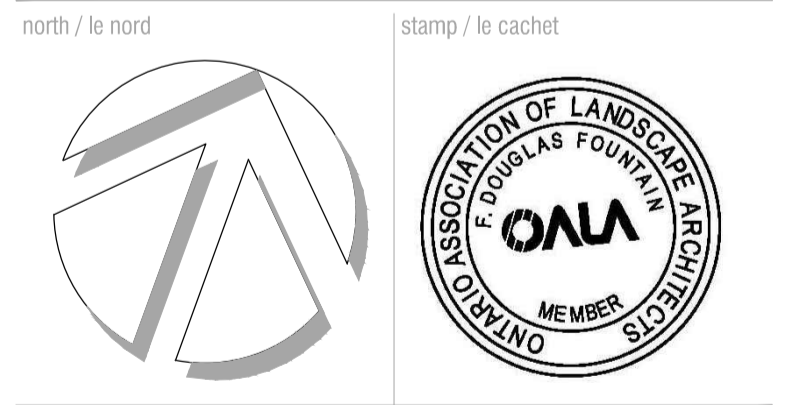
7 SHRUB PLANTING DETAIL
 L2 1:25



8 PAVER GRID SYSTEM
 L2 1:15

rev/n	description / la description	yyyy/mm/dd
04	Re-issued for Site Plan Control	2023-03-28
03	Re-issued for Site Plan Control	2023-03-15
02	Re-issued for Site Plan Control	2023-03-10
01	Issued for Site Plan Control	2023-01-25
00	Issue for Client Review	2022-06-16

FOTENN Planning + Design
 396 Cooper Street, Suite 300
 Ottawa, ON, CANADA K2P 2H7
 613.730.5709
 fotenn.com



211 ARMSTRONG STREET

CONSTRUCTION DETAILS

designed / conçu	drawn / dessiné	reviewed / examiné
SG	SG	OM/DF
date	project number / No. du projet	
JUNE 2022		