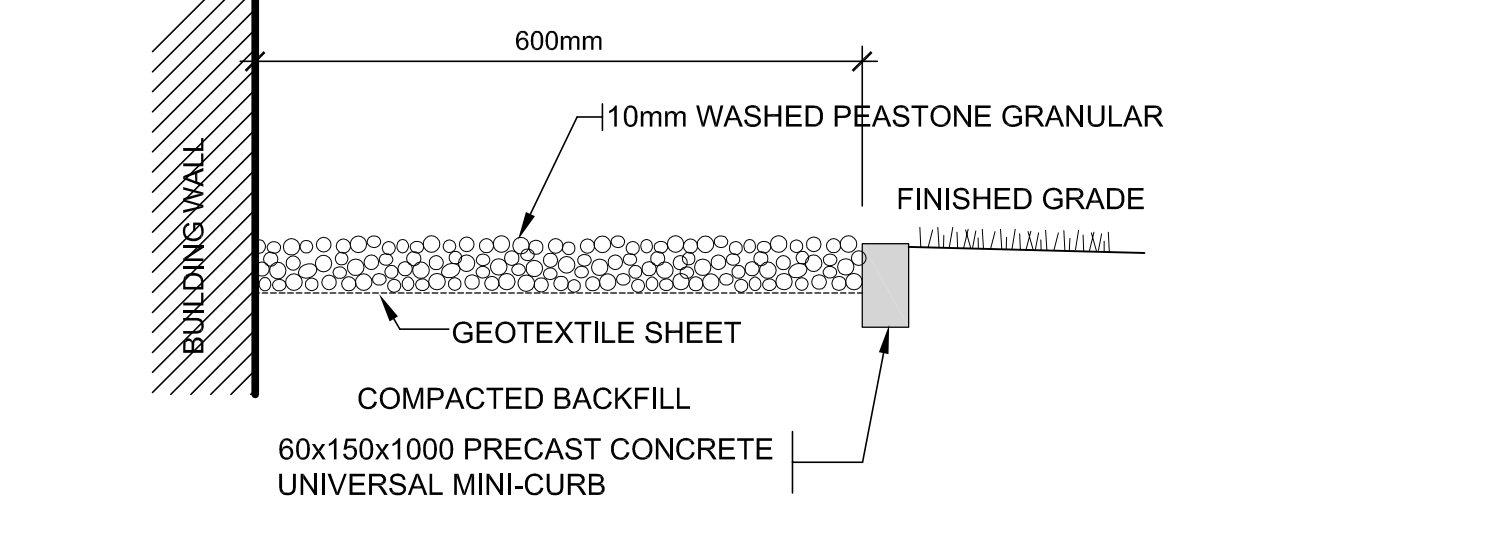
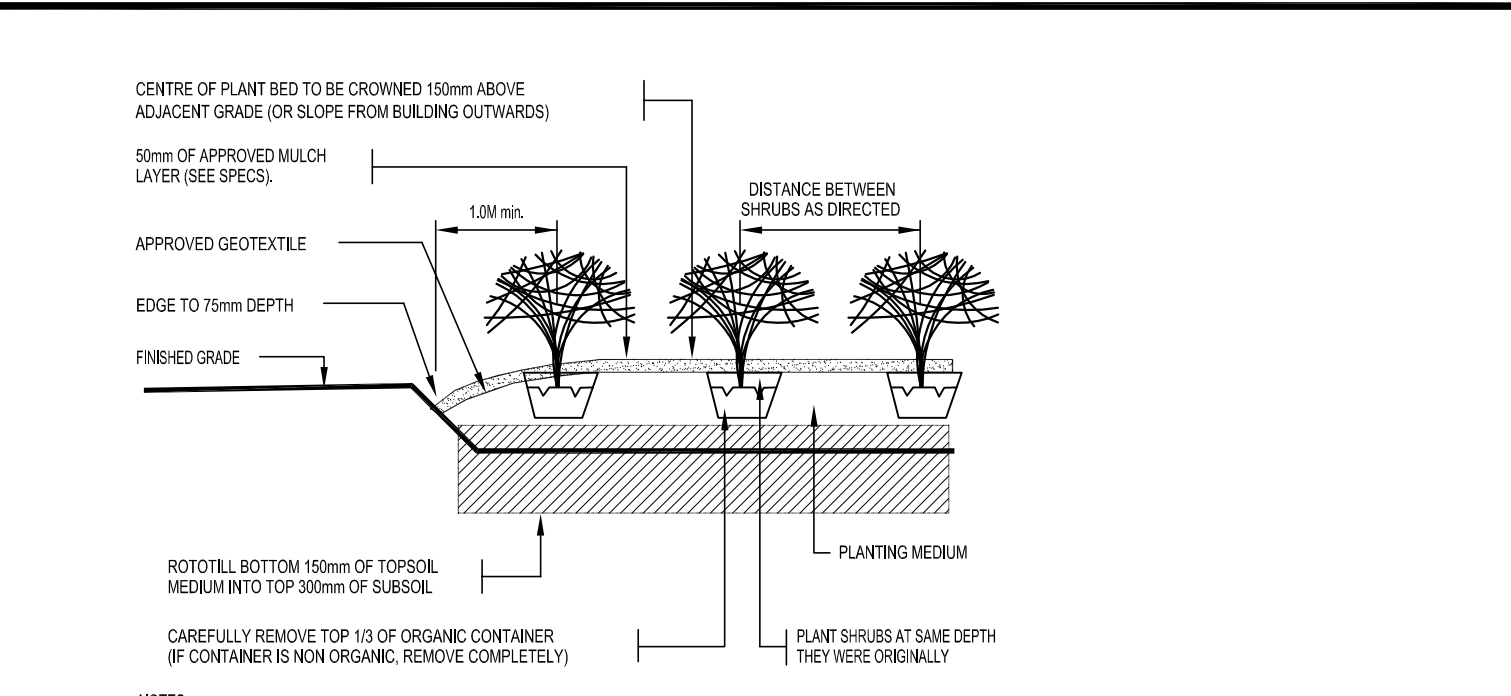


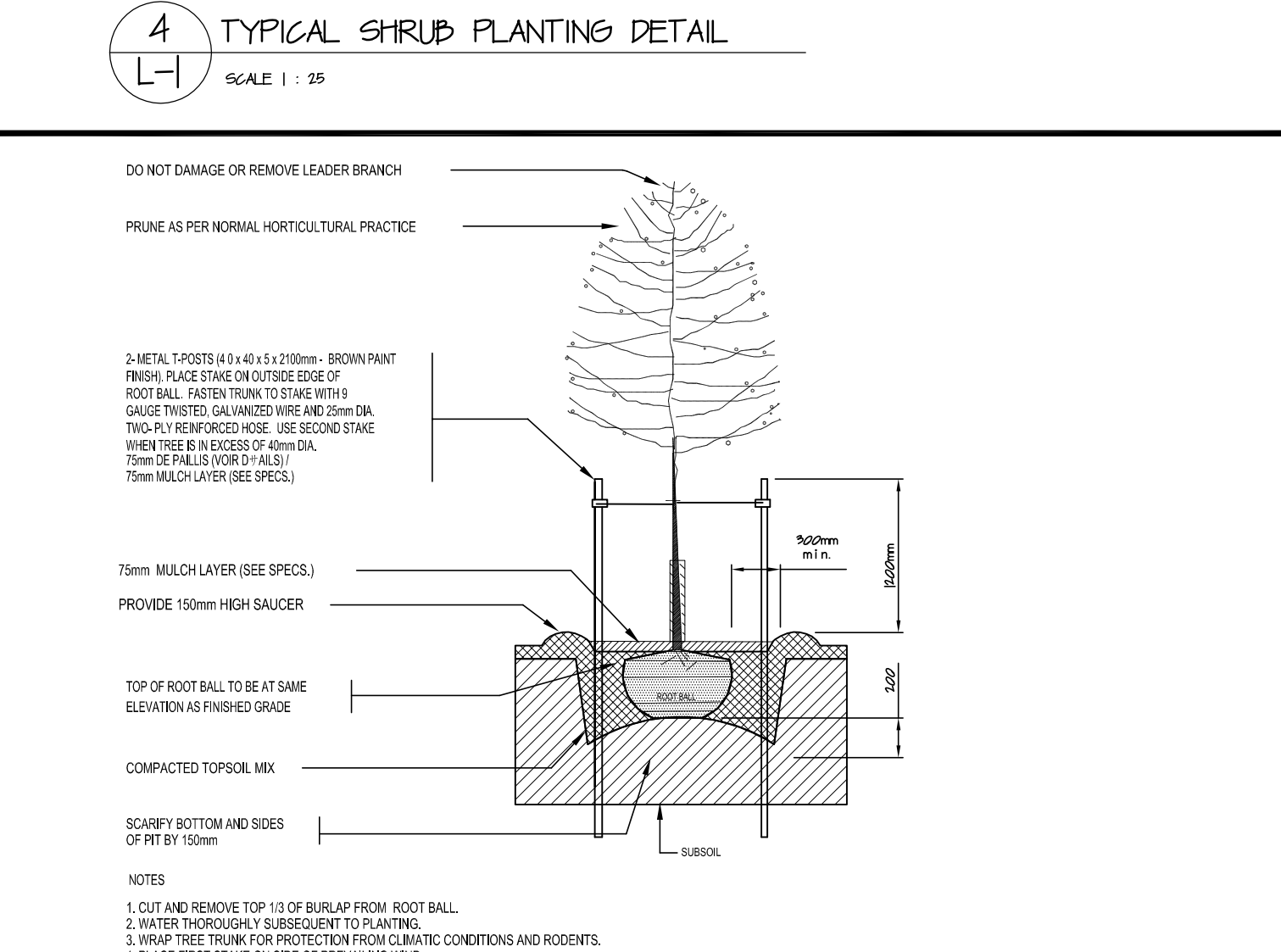
2 TYPICAL PAVERS ON CONCRETE DECK & COMPACTED GRADE
SCALE 1 : 20



3 PEASTONE MAINTENANCE EDGE DETAIL
SCALE 1 : 25



4 TYPICAL SHRUB PLANTING DETAIL
SCALE 1 : 25



5 TYPICAL DECIDUOUS TREE PLANTING DETAIL
SCALE 1 : 25

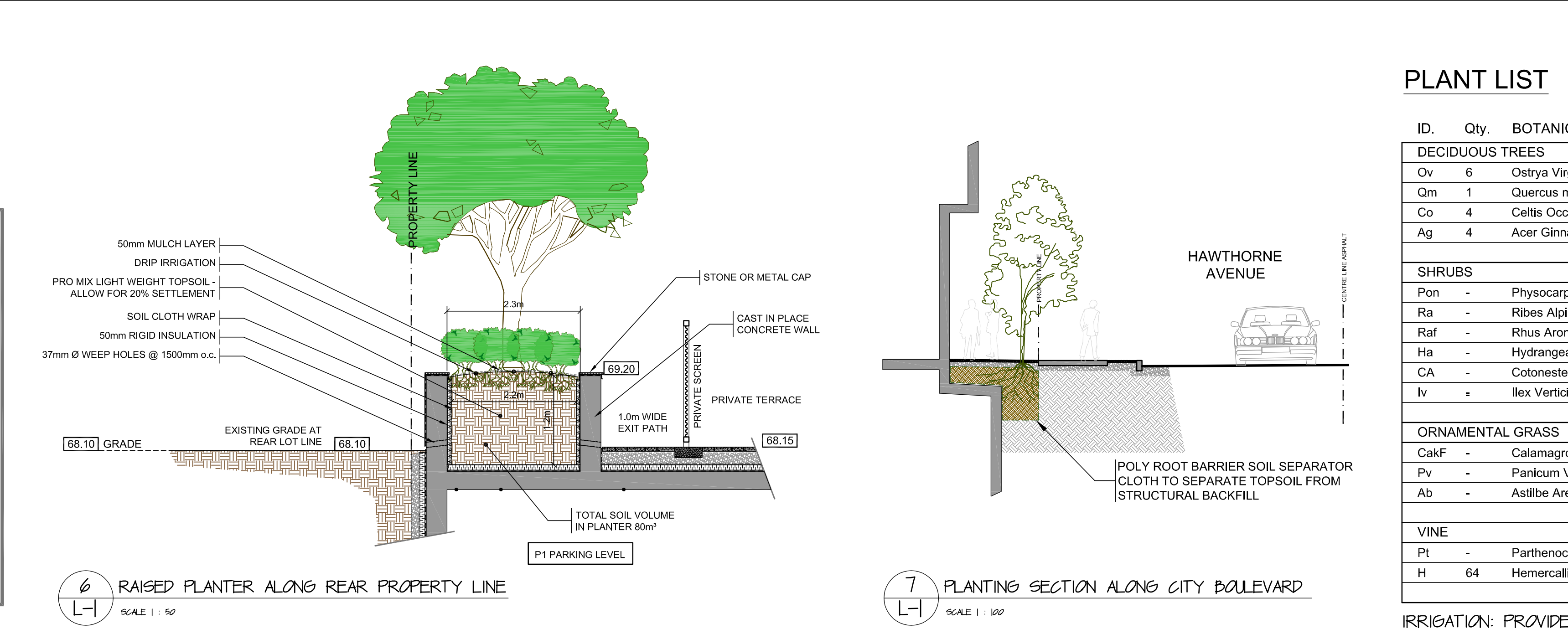
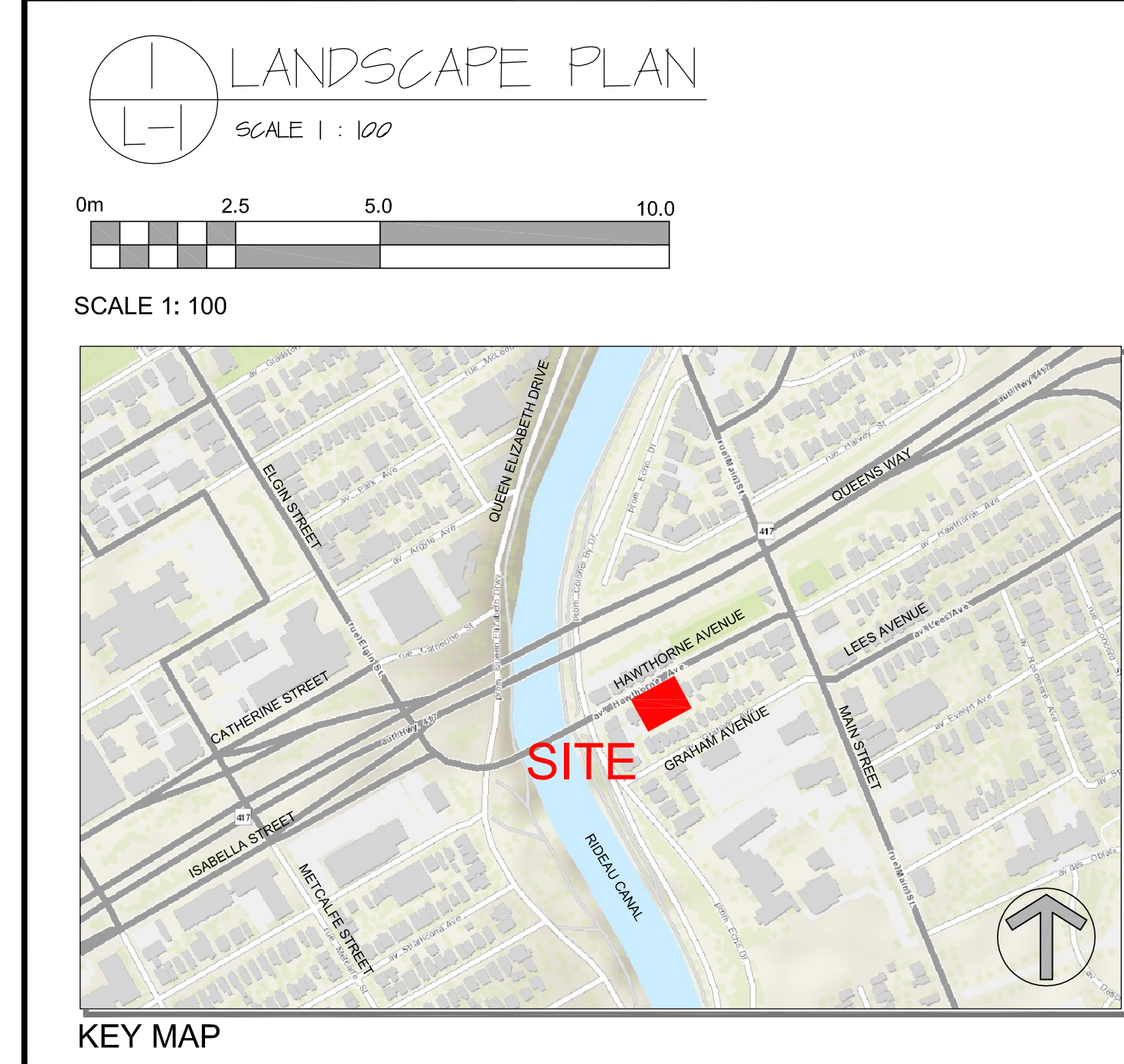
GENERAL NOTES

- ALL GENERAL SITE INFORMATION AND CONDITIONS COMPLIED FROM EXISTING PLANS AND CONSULTANT'S FIELD NOTES. REPORT ALL DISCREPANCIES PRIOR TO ANY WORK. NO RESPONSIBILITY IS BORNE BY THE CONSULTANT FOR UNDERLYING SUBSURFACE CONDITIONS.
- THE CONTRACTOR IS TO NOTIFY ALL UTILITY COMPANIES PRIOR TO EXCAVATION TO ASCERTAIN LOCATION OF UNDERGROUND SERVICES. VERIFY ALL ELEVATIONS WITH INFORMATION SHOWN.
- ALL DIMENSIONS AND GRADES ARE TO BE VERIFIED ON SITE PRIOR TO ANY CONSTRUCTION BY THE LANDSCAPE ARCHITECT.
- CONTRACTOR IS TO MAINTAIN POSITIVE SURFACE RUNOFF THROUGHOUT THE ENTIRE CONSTRUCTION PERIOD.
- REINSTATE ALL DAMAGE CAUSED CONTRACTOR TO STRUCTURES, CURBS, PAVEMENT, PLANTING, ROAD SHOULDERS AND OTHER SITE AMENITIES.
- CONTRACTOR TO STAKE PLANTING LOCATION AND OTHER SITE AMENITIES UNDER SUPERVISION OF LANDSCAPE ARCHITECT PRIOR TO ANY WORK.
- NO MODIFICATIONS TO PLANS AND DETAILS, AND NO MATERIALS SUBSTITUTIONS IS PERMITTED WITHOUT THE WRITTEN AUTHORIZATION OF THE LANDSCAPE ARCHITECT.
- USE OF THIS PLAN WITHOUT THE LANDSCAPE ARCHITECT'S SEAL AND SIGNATURE IS NOT ALLOWED AND RELEASE THE LANDSCAPE ARCHITECT OF ANY RESPONSIBILITY.

NO	DATE	REVISION
7	2023 11	ISSUED FOR SPC AGREEMENT
6	2023 11 20	REVISED AS PER SPC COMMENTS
5	2023 10 06	REVISED AS PER SPC COMMENTS
4	2023 07 18	ISSUED FOR ROUND 3 COMMENTS
3	2023 04 12	ISSUED FOR SPC APPLICATION
2	2023 03 17	ISSUED FOR ZA 1st ROUND REVIEW
1	2022 09 15	ISSUED FOR ZONING AMENDMENT

REAL ESTATE
JBHoldingsInc

ARCHITECT:
KALLALA design
kallaladesign@xplornet.com • 819-726-0795



PLANT LIST

ID	Qty.	BOTANICAL NAME	COMMON NAME	SPACING	SCHED.	SIZE	REMARKS
DECIDUOUS TREES							
Ov	6	Ostrya Virginiana	IronWood	See Plan	60mm cat.	WB, straight trunk, uniformly well branched	
Qm	1	Quercus macrocarpa	Bur Oak	See Plan	100mm cat.	WB, straight trunk, uniformly well branched	
Co	4	Celtis occidentalis	Northern Hackberry	See Plan	60mm cat.	WB, straight trunk, uniformly well branched	
Ag	4	Acer Ginnala	Flame Maple	See Plan	200 cm ht.	Pots, straight trunk, uniformly well branched	
SHRUBS							
Pon	-	Physocarpus Opulifolius	Pon Purple Ninebark	1.0m o/c		3 Gal Pots	
Ra	-	Ribes Alpinum	Alpine Currant	1.0m o/c		3 Gal Pots	
Raf	-	Rhus Aromatica	Fragrant Sumac	1.0m o/c		3 Gal Pots	
Ha	-	Hydrangea Arborescens	Annabelle Hydrangea	1.0m o/c		3 Gal Pots	
CA	-	Cotoneaster Acutifolius	Peking Cotoneaster	1.0m o/c		3 Gal Pots	
Iv	-	Ilex Verticillata	Winterberry Holly	1.0m o/c		3 Gal Pots	
ORNAMENTAL GRASS							
CaK	-	Calamagrostis Acutiflora	Karl Foerster Feather Reed Grass	0.6m o/c		2 Gal Pots	
Pv	-	Panicum Virgatum	Prairie Fire Switch Grass	0.6m o/c		2 Gal Pots	
Ab	-	Astilbe Arendsii	Bridal Yell Astilbe	0.6m o/c		2 Gal Pots	
VINE							
Pt	-	Parthenocissus Tricuepdata	Boston Ivy	0.6m o/c		1 Gal Pots	
H	64	Hemerallis	Stella D'oro Lily	0.3m o/c		2 Gal Pots	