

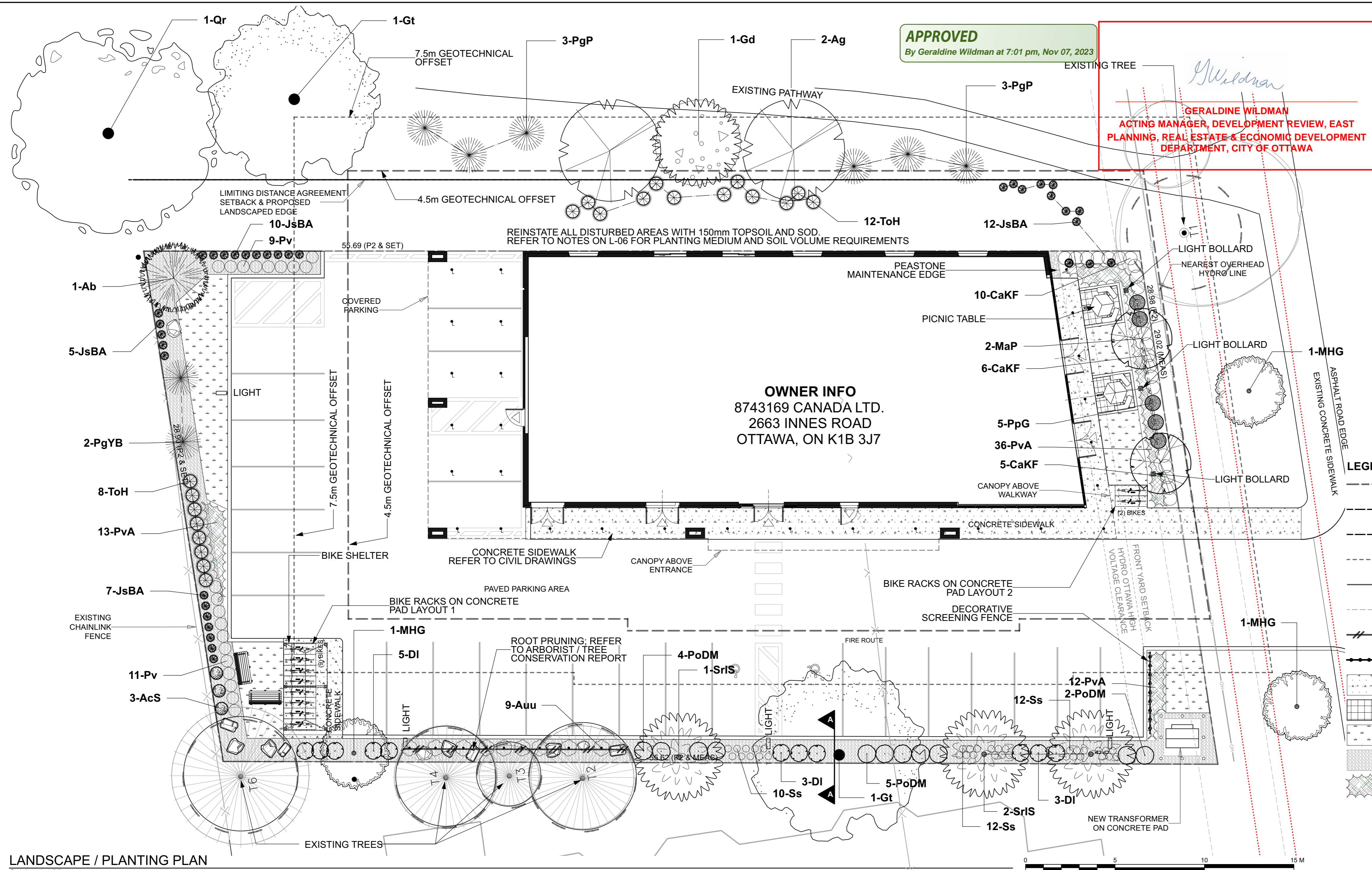
GENERAL NOTES

- All general site information and conditions compiled from existing plans, surveys and consultant's field notes. Report all discrepancies prior to any work. No responsibility is born by the Consultant for unknown subsurface conditions.
- The location of the utilities is approximate only, and the exact location should be determined by consulting the municipal authorities and utility companies concerned. The Contractor shall prove the location of utilities and shall be responsible for adequate protection from damage.
- All dimensions shown are to be verified on site prior to any construction. No deviations are to be made from the layouts as shown on this plan without prior consultation with the Landscape Architect and Owner.
- Obtain approval of the Consultant(s) for granular base and layout of all pavement areas prior to construction.
- Stake planting locations and receive approval of Landscape Architect, prior to excavation of any planting pits. No substitutions of plant material shall be made without prior approval of the Landscape Architect.
- Where clay is encountered proper drainage must be ensured in tree/shrub pits, prior to planting. Have method approved by Landscape Architect.
- Maintain positive surface runoff through the entire construction period.
- Reinstate all areas and items damaged as a result of construction activities.

NOTE:
 THIS PLAN IS ISSUED FOR SITE PLAN CONTROL SUBMISSION ONLY. ADDITIONAL DETAILING AND SPECIFICATIONS ARE REQUIRED PRIOR TO TENDERING OR CONSTRUCTION.

NOTE:
 TREES AT EASTSIDE BEYOND 4m LIMITING DISTANCE AGREEMENT -
 TREES ARE PROPOSED AT EAST SIDE BEYOND 4m LIMITING DISTANCE AGREEMENT AIMING TOWARDS 40% CANOPY COVERAGE TARGET.
 PROPOSED TREES ARE TO BE FURTHER REVIEWED WITH THE OWNERS FOR CONFIRMATION.
EXISTING TREES:
 REFER TO THE ARBORIST / TREE CONSERVATION REPORT BY OTTAWA TREE REPORT FOR RETENTION, REMOVAL, CONSERVATION AND ROOT PRUNING OF THE EXISTING TREES.

- LEGEND**
- PROPERTY LINE
 - 4m LIMITING DISTANCE AGREEMENT
 - 4.5m GEOTECHNICAL OFFSET
 - 7.5m GEOTECHNICAL OFFSET
 - OVERHEAD WIRE
 - OVERHEAD WIRE 2m OFFSET
 - ROOT PRUNING
 - DECORATIVE DECORATIVE FENCE
 - CONCRETE SIDEWALK
 - PERMEABLE PAVERS
 - SOD
 - MULCH
 - PERENNIAL VARIETIES
 - DECORATIVE ROCKS
 - PICNIC TABLE
 - BENCH



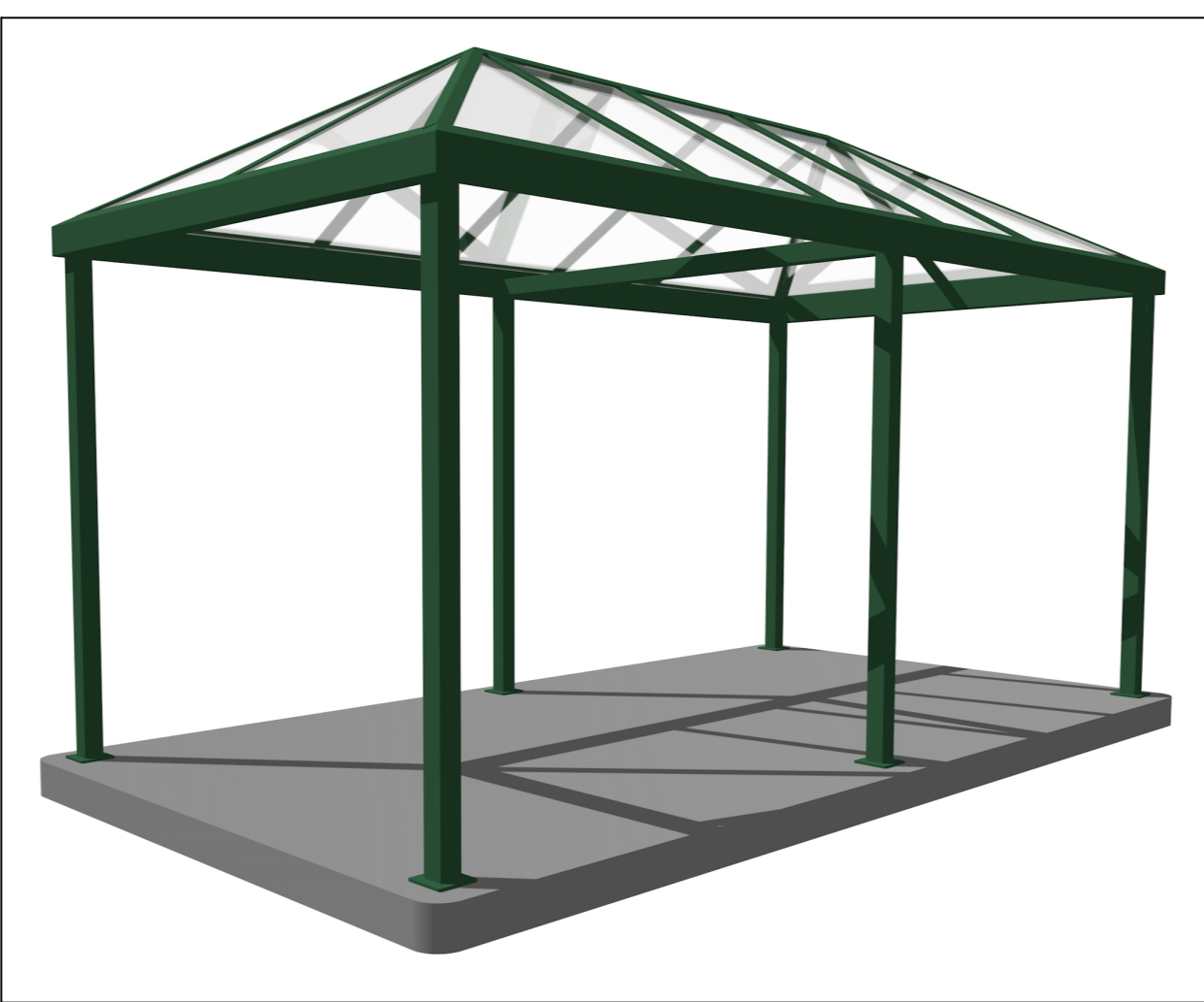
APPROVED
 By Geraldine Wildman at 7:01 pm, Nov 07, 2023

GERALDINE WILDMAN
 ACTING MANAGER, DEVELOPMENT REVIEW, EAST PLANNING, REAL ESTATE & ECONOMIC DEVELOPMENT DEPARTMENT, CITY OF OTTAWA

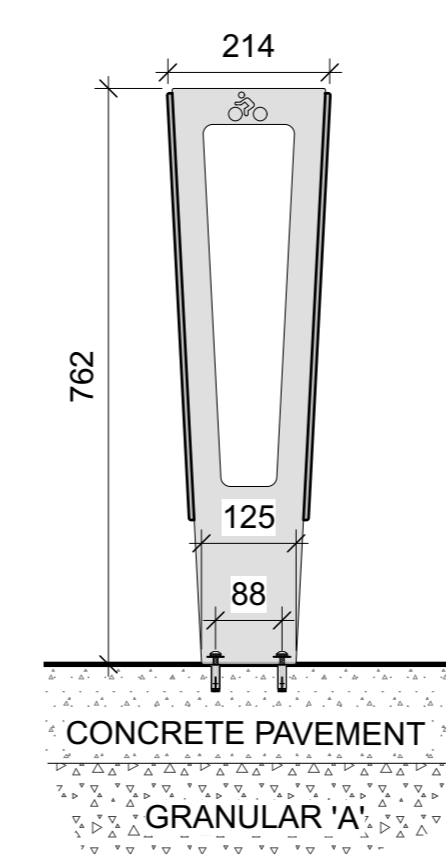
OWNER INFO
 8743169 CANADA LTD.
 2663 INNES ROAD
 OTTAWA, ON K1B 3J7

LANDSCAPE / PLANTING PLAN
 Scale: 1:125

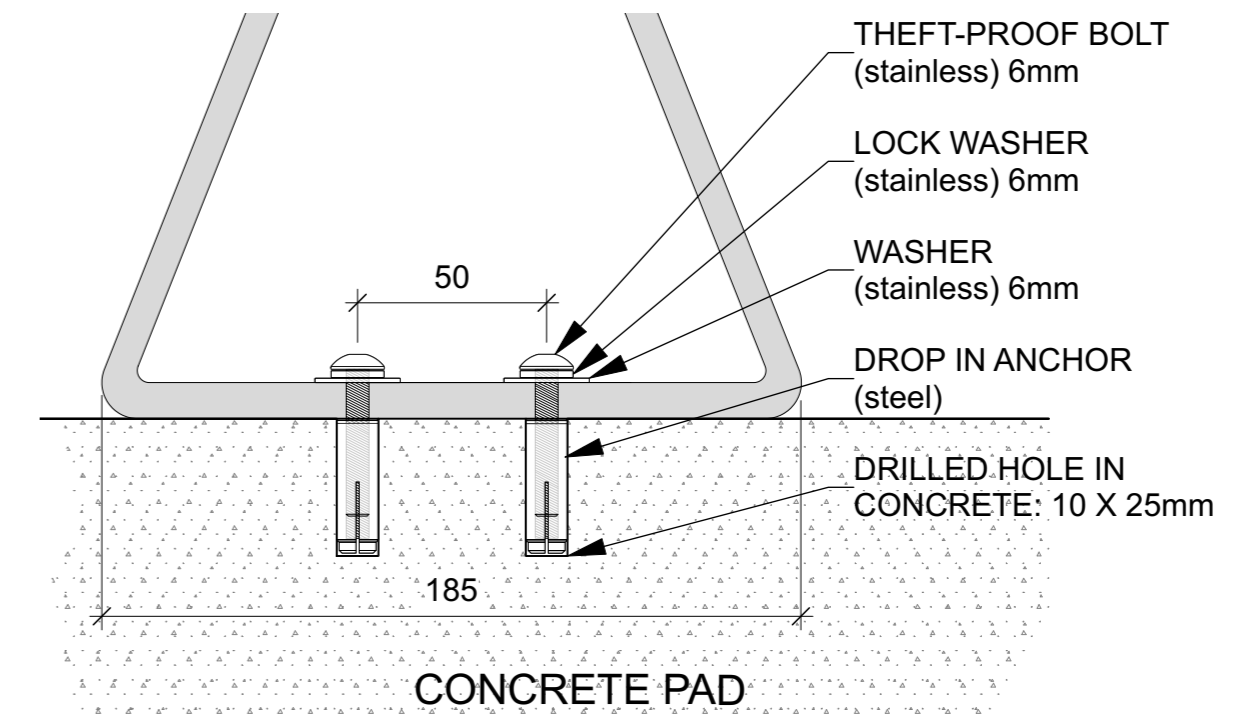
ID	Qty	Botanical Name	Common Name	Sched.	Size	Remarks
19 TREES						
Ab	1	Abies balsamea	Balsam Fir		200 cm ht	WB, Staked
Ag	2	Aesculus glabra	Ohio Buckeye		50mm caliper	WB, Staked
Gt	1	Gleditsia triacanthos inermis	Thornless Honeylocust		60mm caliper	WB, Staked
Gd	1	Gymnocladus dioicus	Kentucky Coffee Tree		50mm caliper	Wire Basket
MHG	2	Malus x 'Harvest Gold'	Harvest Gold Crabapple		50mm caliper	WB, Staked
PgYB	2	Picea glauca 'Yukon Blue'	Yukon Blue White Spruce		175 cm ht	WB, Staked
PgP	6	Picea Glauca Pendula	Weeping White Spruce		175 cm ht	WB, Staked
Qr	1	Quercus rubra	Northern Red Oak		60mm caliper	WB, Staked
SrIS	3	Syringa reticulata 'Ivory Silk'	Ivory Silk Tree Lilac		50mm caliper	WB, Staked
95 SHRUBS						
AcS	3	Amelanchier canadensis	Shadblow Serviceberry (Shrub form)		2 gallon pot	
Auu	9	Arctostaphylos uva-ursi	Bearberry, Kinnikinnick		Potted	
DI	11	Diervilla lonicera	Dwarf Bush-honeysuckle		2 gallon pot	
JsBA	34	Juniperus scopulorum 'Blue Arrow'	Blue Arrow Juniper		150 cm ht	Potted
MaP	2	Morus alba 'Pendula'	Weeping Mulberry (Fruitless)		40cm stem	Potted
PoDM	11	Physocarpus opulifolius 'Donna May'	Little Devil Ninebark		2 gallon pot	
PpG	5	Picea pungens 'Glauca Globosa'	Globe Blue Spruce		100cm ht	Potted
ToH	20	Thuja occidentalis 'Holmstrup'	Holmstrup Eastern Arborvitae		150 cm ht.	Potted
75 ORNAMENTAL GRASSES						
CaKF	21	Calamagrostis x acutiflora 'Karl Foerster'	Karl Foerster Feather Reed Grass	3 year		1 gallon pot
Pv	20	Panicum virgatum	Switch Grass			1 gallon pot
Ss	34	Schizachyrium scoparium (Andropogon)	Little Bluestem			1 gallon pot
61 PERENNIALS						
PvA	61	Perennial Mix A	Sun-Shadow varieties		150mm pot	
PvA - Coneflower, Daylily, Blazing Star, and Rudbeckia - minimum 50% native varieties						



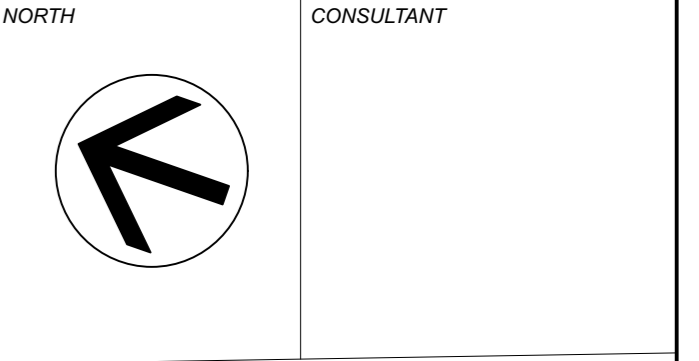
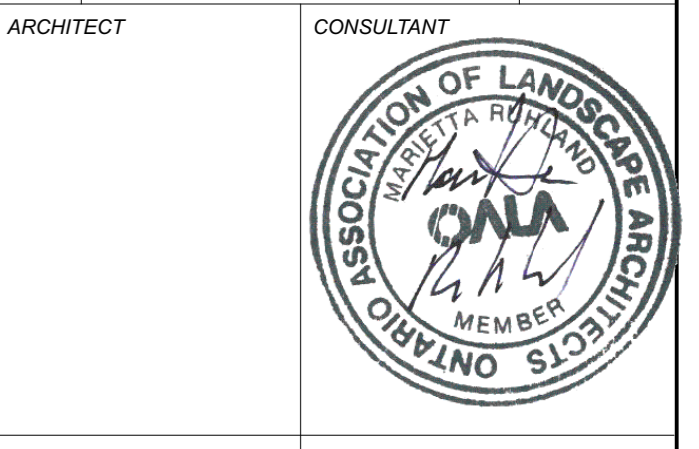
1 Bike Rack Shelter
 L-01. Scale: NTS



2 EP5950 Bike Rack Installation in Concrete
 L-01. Scale: NTS
 PROVIDE SHOP DRAWINGS FOR ANCHORS AND CONCRETE PAD



NUMBER	REVISION / MILESTONE / FAT SALLANT	DATE	BY (Y/M/D)	APP'D (A/M/D)
6				
5				
4	Requested revisions	2023/10/05		
3	Issued for Site Plan Application	2023/08/31		
2	Issued for Site Plan Application	2023/06/30		
1	Issued for Site Plan Application	2022/12/21		



PROJECT / LOCATION
4-Storey Mixed Use Building
 8743169 Canada Ltd
 2663 Innes Road
 Ottawa, Ontario

LANDSCAPE / PLANTING PLAN

DATE	DESIGNED BY / CONDU PAR	CHECKED BY / VERIFIE PAR
	A.A. / T.F.	M.R.
	DRAWN BY / DESINE PAR	SCALE/TITRE
	T.F.	
	PROJECT NO.	SHEET NO.
	22-1704	L-01.