

No.	Revision	Date
4	ISSUED FOR SPA 3	13 OCT, 2023
3	ISSUED FOR SPA 2	20 JUL, 2023
2	ISSUED FOR SPA	20 APR, 2023
1	ISSUED FOR COORDINATION	14 APR, 2023

North:

Stamp:

Landscape Architecture
Urban Design
Site Planning
Recreation and Park Planning
Project Management

319 McRae Avenue, Suite 502, Ottawa, Ontario, K1Z 0B9
Tel: (613) 729-4536

- All measurements in millimeters unless specified otherwise. Do not scale drawing. All drawings to be read in conjunction with written specifications.
- Copyright reserved. This drawing is the exclusive property of CSW Landscape Architects Ltd. and shall not be used without the consent thereof.
- This Drawing may not be used for construction until signed by the landscape architect. It is the responsibility of the contractor to:
 - check and verify all dimensions on site;
 - report all errors and/or omissions to the landscape architect;
 - comply with all pertinent codes and by-laws;
 - check and verify locations of all underground services with all local utilities prior to any digging.

Project: **CLV 360 LAURIER**

360 LAURIER STREET
OTTAWA, ONTARIO

Drawing: **LANDSCAPE PLAN
Ground Floor**

Scale:	1:100	Date:	MARCH 2023
--------	-------	-------	------------

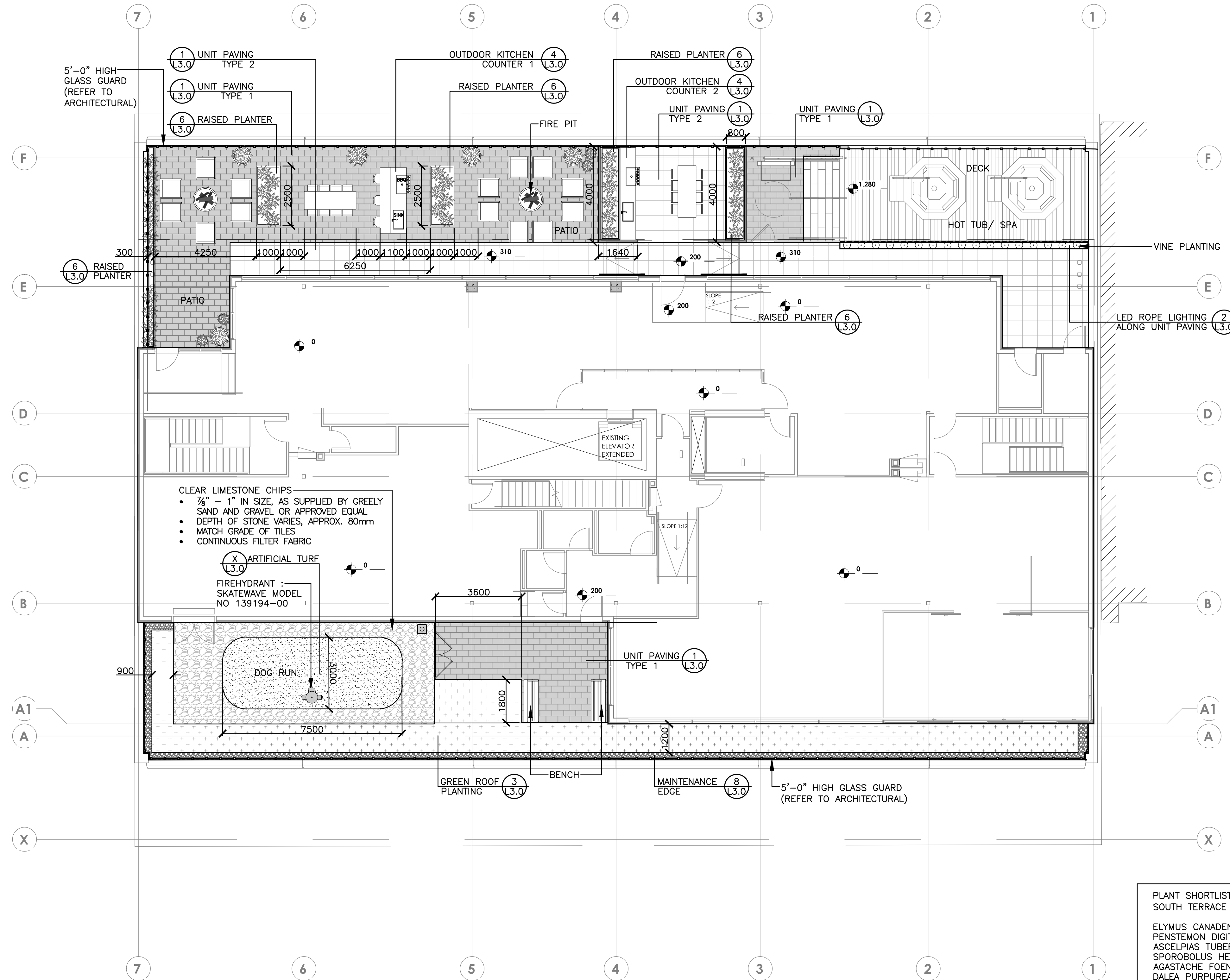
Design By:	CM	Drawn By:	SW
------------	----	-----------	----

Project Number:	2161-01	Sheet Number:	L1.0
-----------------	---------	---------------	------





- LEGEND:
- UNIT PAVERS - TYPE 1
 - UNIT PAVERS - TYPE 2
 - WOOD DECKING
 - CLEAR LIMESTONE CHIPS PAVING
 - ARTIFICIAL TURF
 - GREEN ROOF PLANTING
 - MAINTENANCE EDGE
 - GUARDRAIL
 - 5'-0" HIGH GLASS GUARDRAIL (REFER TO ARCHITECTURAL)



PLANT SHORTLIST FOR GREENROOF - MAXX 8"
SOUTH TERRACE AREA: 55.5 M²

ELYMUS CANADENSIS
PENSTEMON DIGITALIS
ASCLEPIAS TUBEROSA
SPOROBOLUS HETEROLEPIS
AGASTACHE FOENICULUM
DALEA PURPUREA
ECHINACEA POWWOW WHITE
SEDUM AIZOON 'EUPHORBIOIDES'

NORTH TERRACE PLANTERS AREA: 13.5 M²
TOTAL PLANTING AREA: 69 M²

No.	Revision	Date
4	ISSUED FOR SPA 3	13 OCT, 2023
3	ISSUED FOR SPA 2	20 JUL, 2023
2	ISSUED FOR SPA	20 APR, 2023
1	ISSUED FOR COORDINATION	14 APR, 2023

North:

Stamp:

CSW Landscape Architecture
Urban Design
Site Planning
Recreation and Park Planning
Project Management

319 McRae Avenue, Suite 502, Ottawa, Ontario, K1Z 0B9
Tel: (613) 729-4536

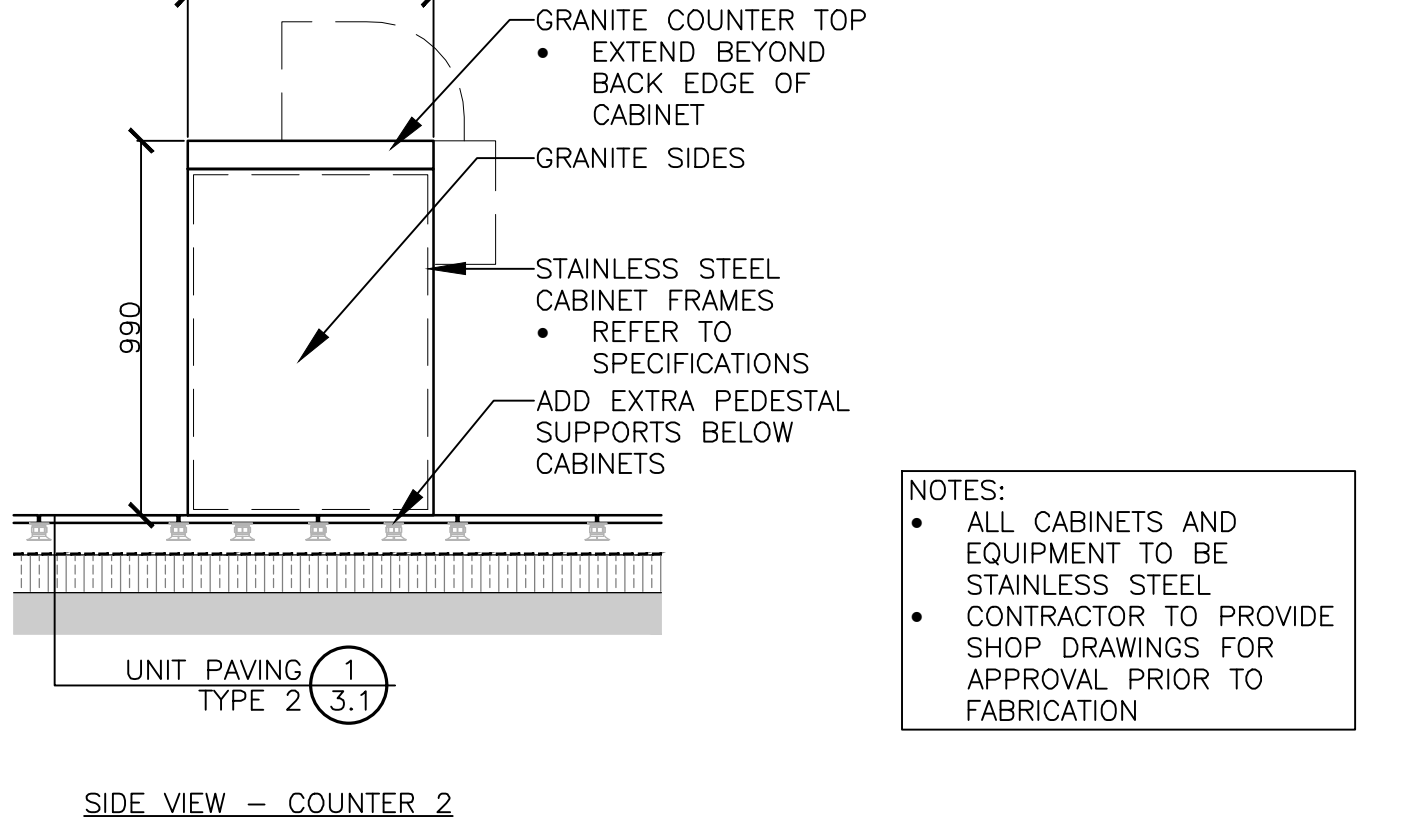
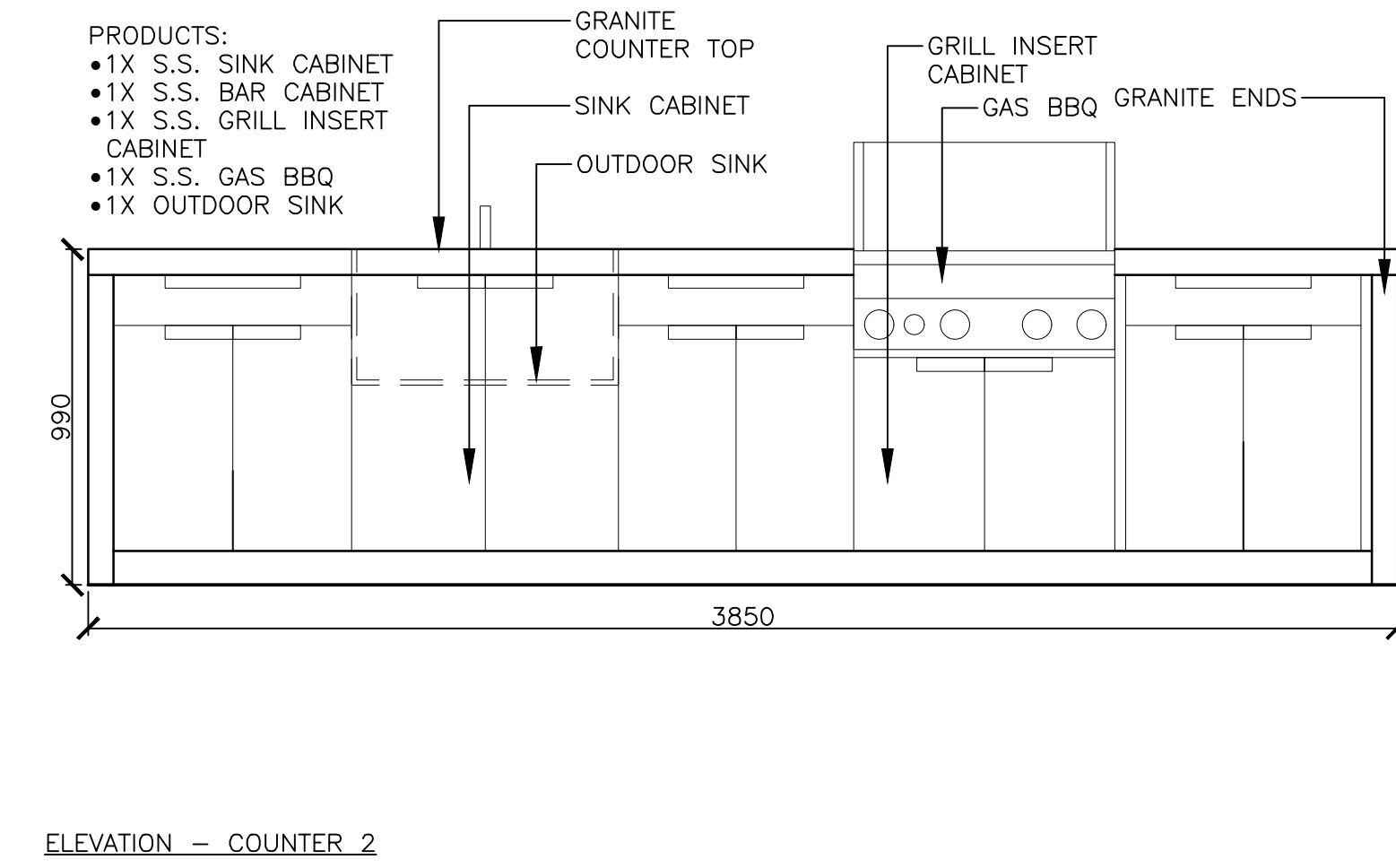
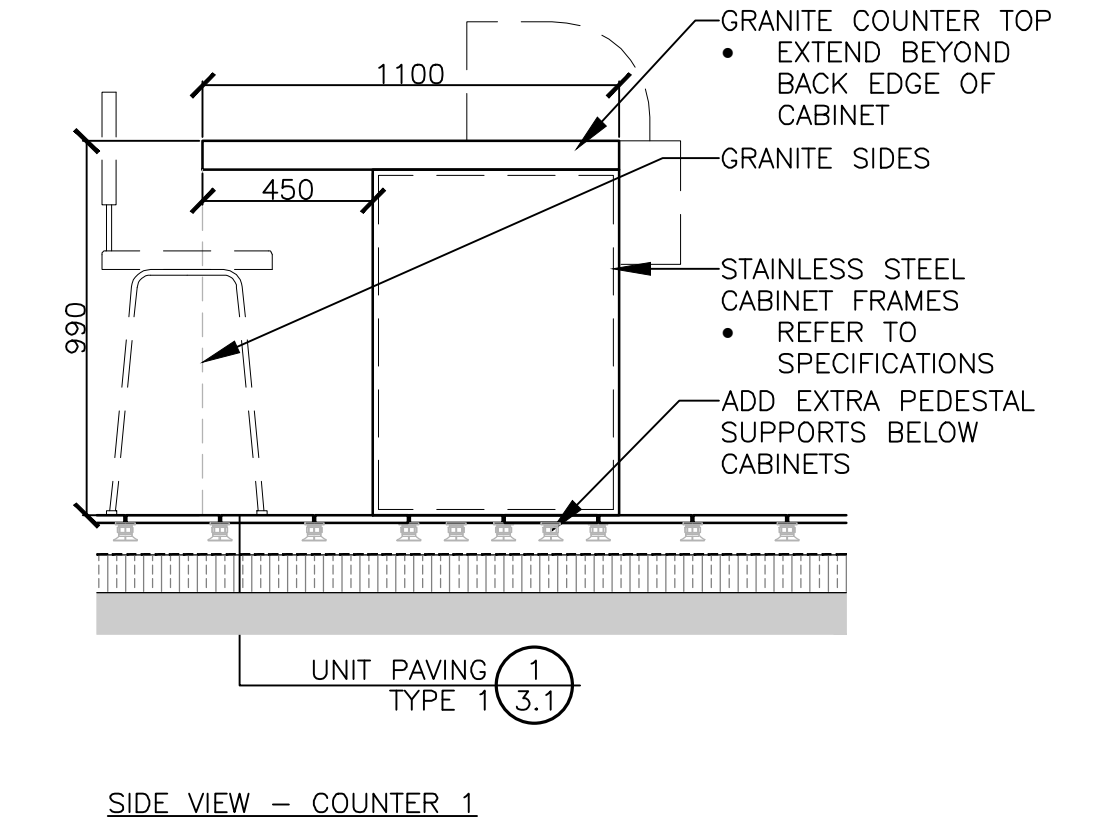
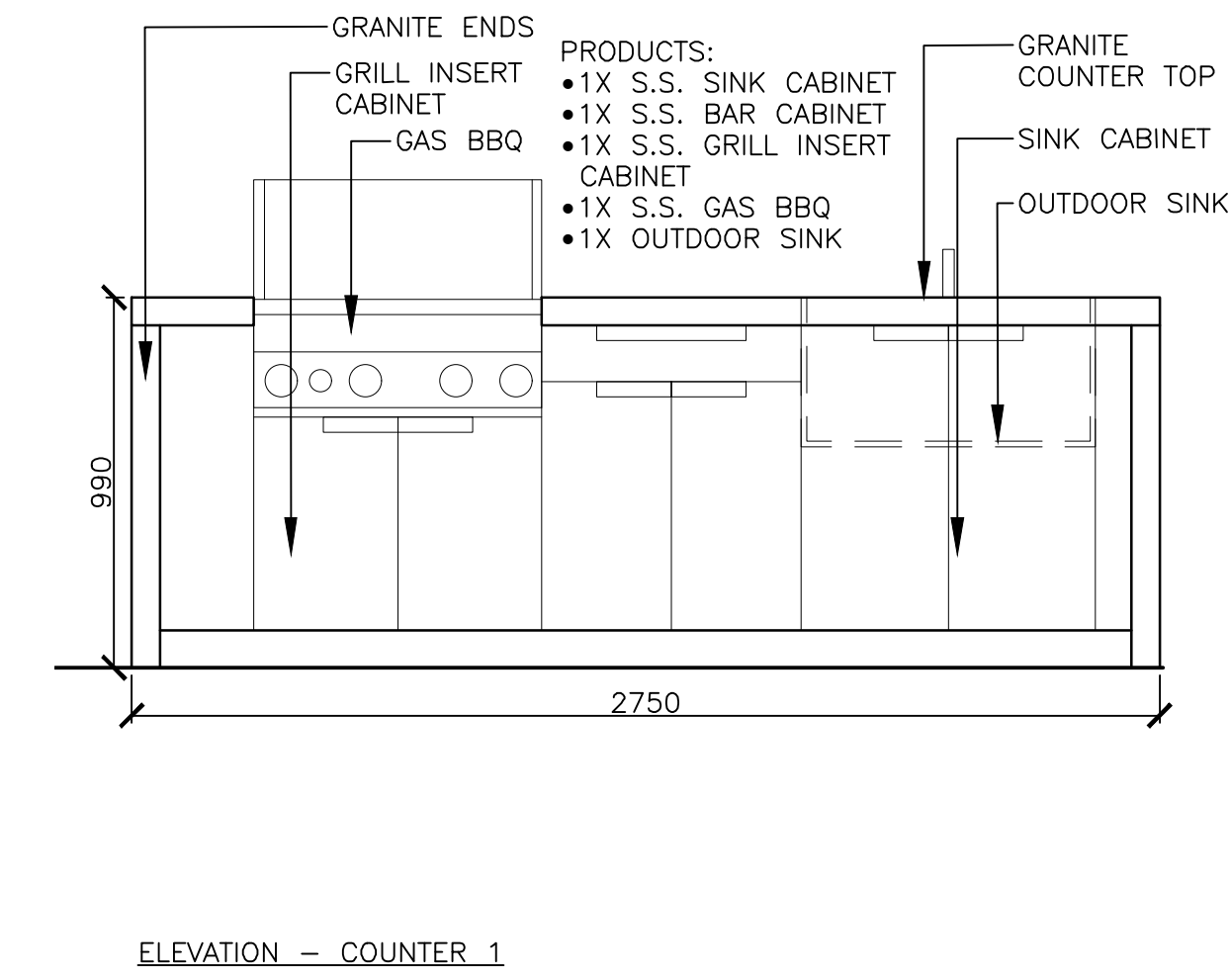
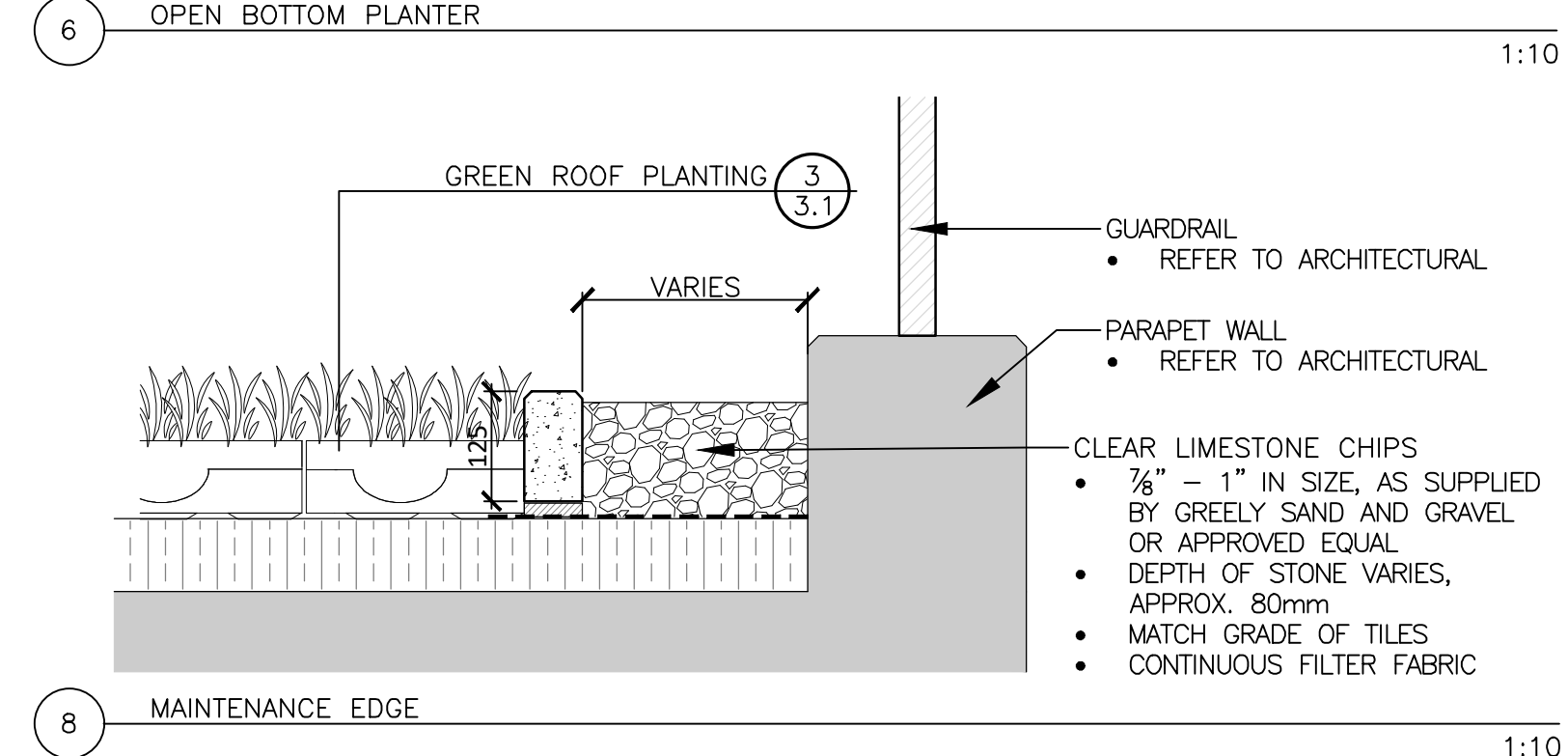
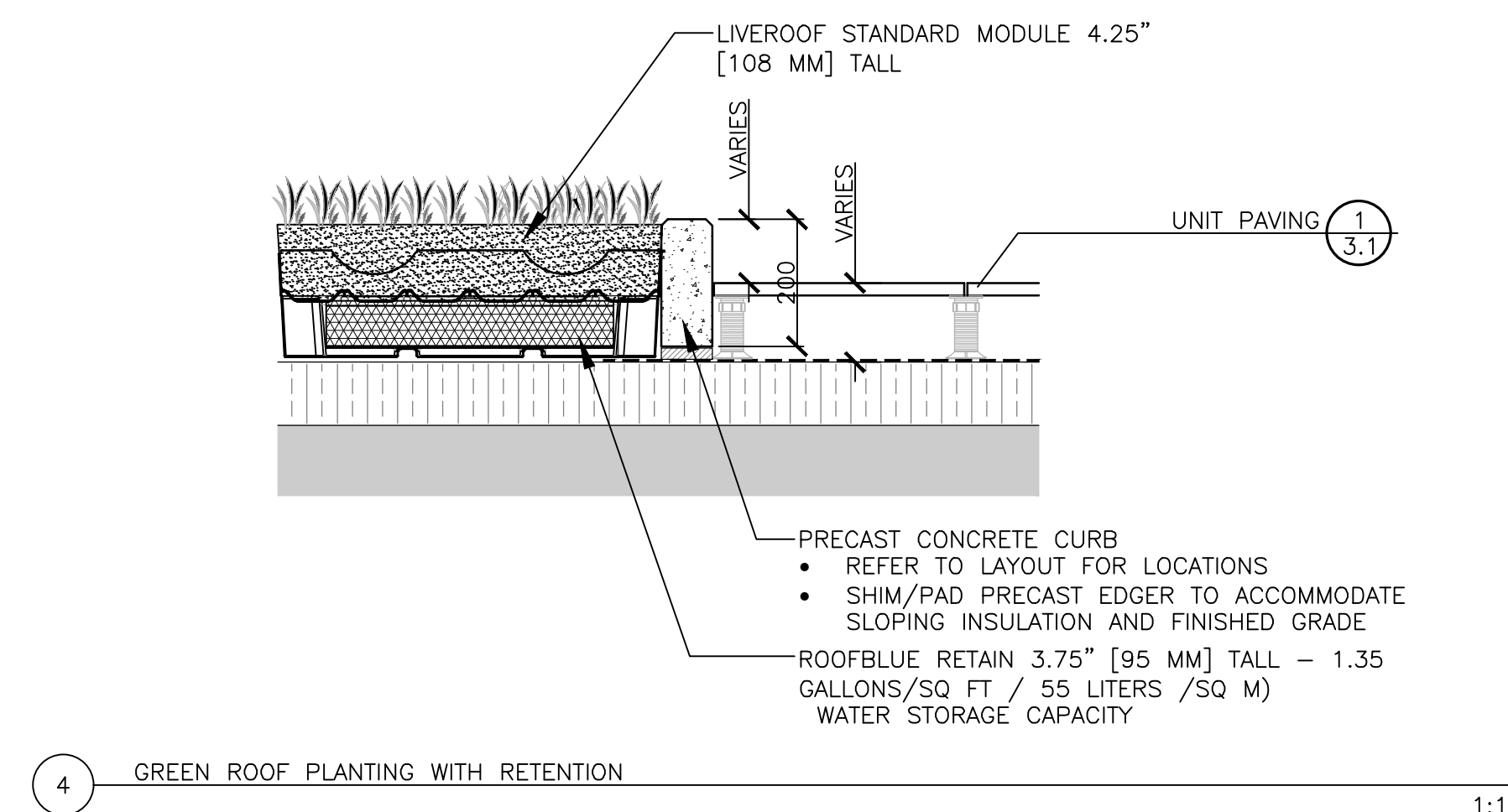
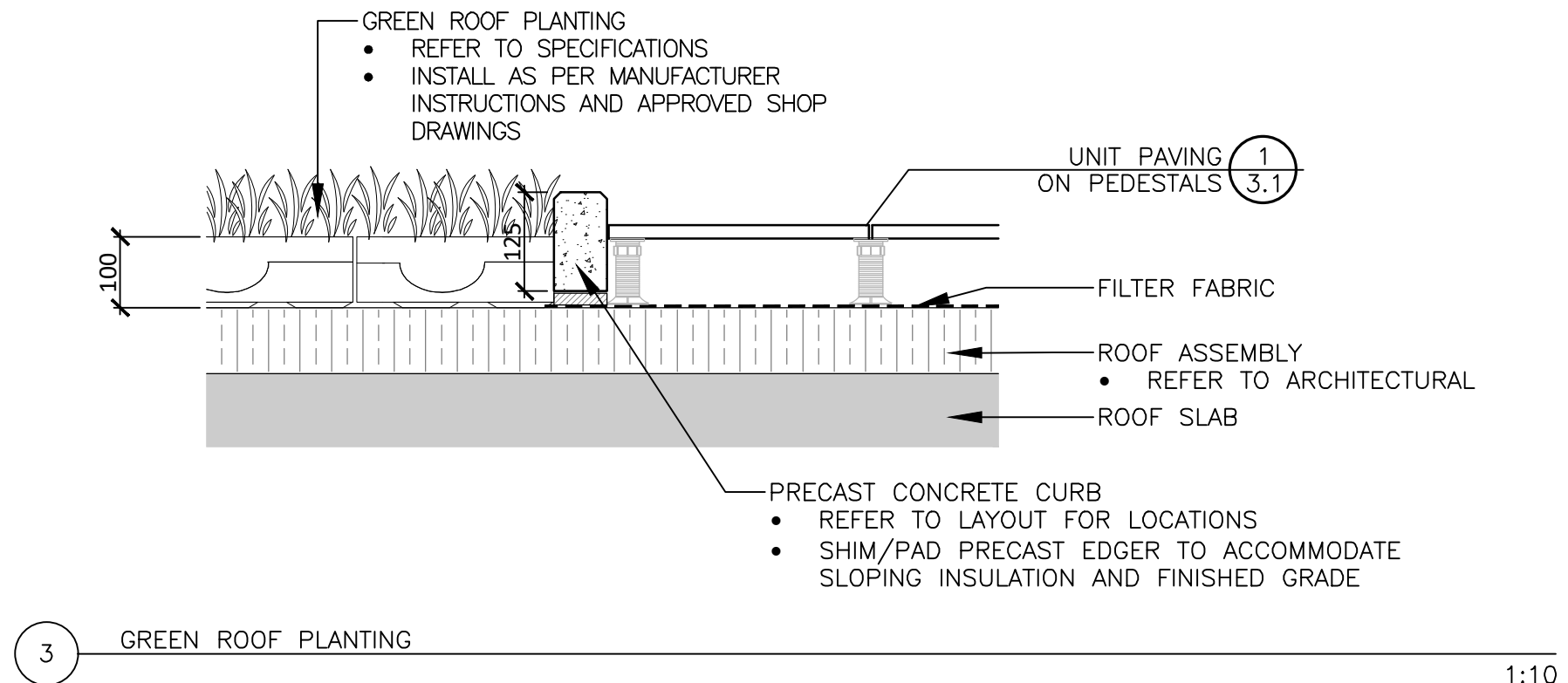
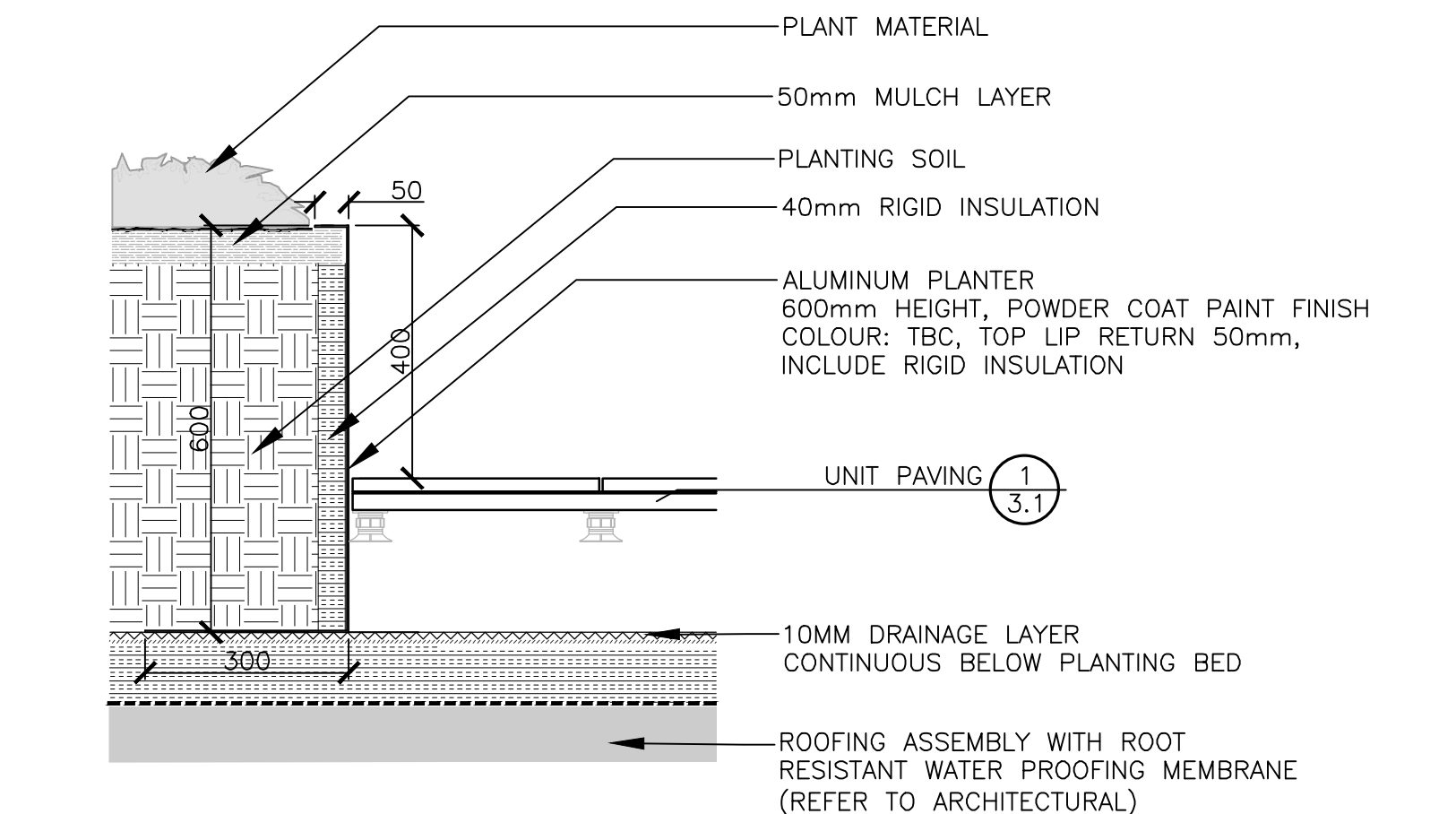
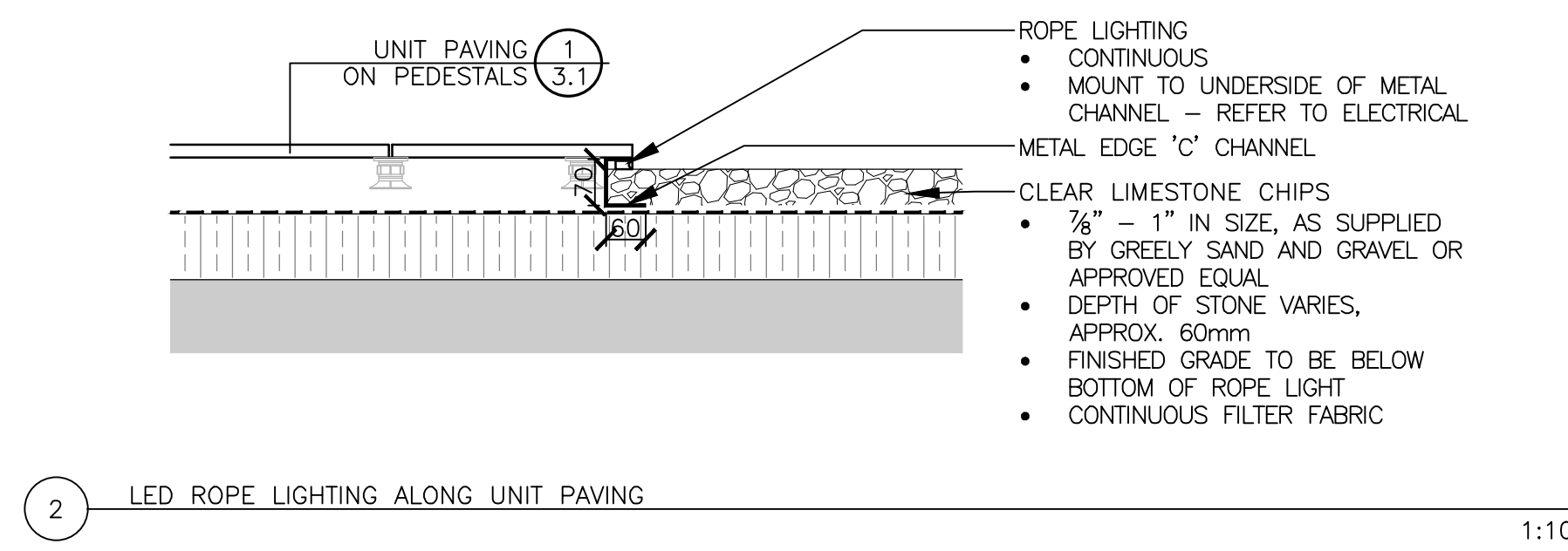
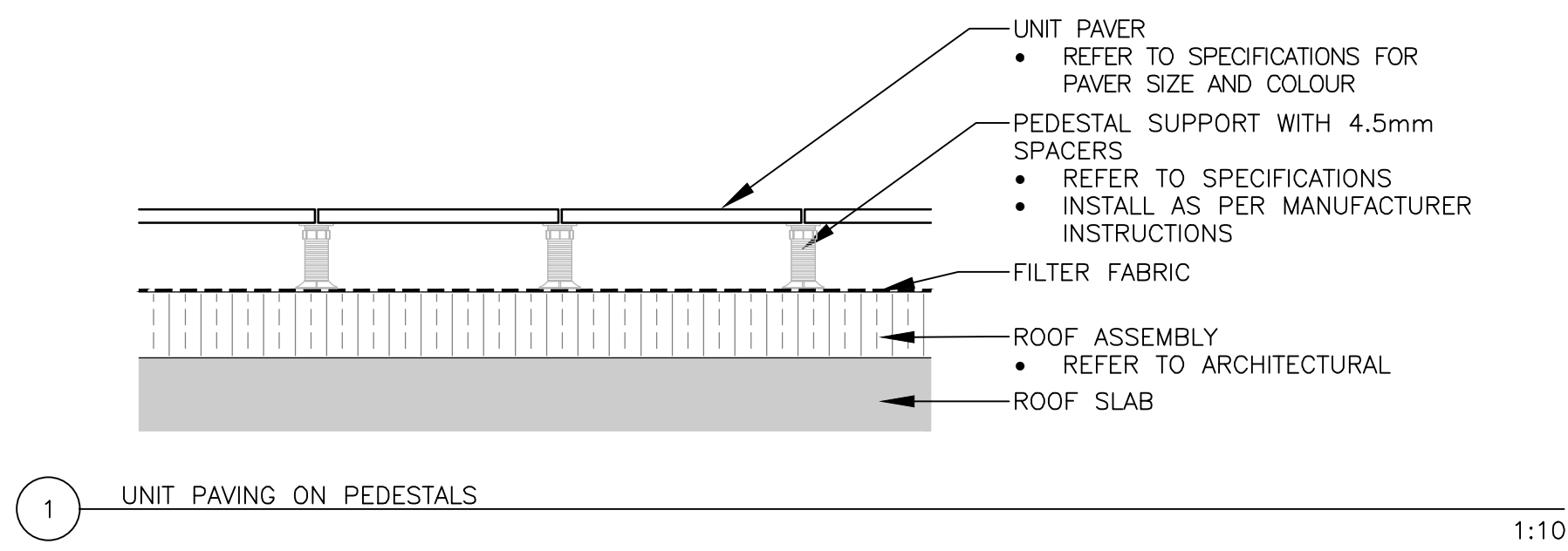
- All measurements in millimeters unless specified otherwise. Do not scale drawing. All drawings to be read in conjunction with written specifications.
- Copyright reserved. This drawing is the exclusive property of CSW Landscape Architects Ltd. and shall not be used without the consent thereof.
- This Drawing may not be used for construction until signed by the landscape architect. It is the responsibility of the contractor to:
 - check and verify all dimensions on site;
 - report all errors and/or omissions to the landscape architect;
 - comply with all pertinent codes and by-laws;
 - check and verify locations of all underground services with all local utilities prior to any digging.

Project: **CLV 360 LAURIER**

360 LAURIER STREET
OTTAWA, ONTARIO

Drawing: **LANDSCAPE PLAN
Roof Terrace**

Scale: 1:100	Date: MARCH 2023
Design By: CM	Drawn By: SW
Project Number: 2161-01	Sheet Number: L2.0



NOTES:
 • ALL CABINETS AND EQUIPMENT TO BE STAINLESS STEEL
 • CONTRACTOR TO PROVIDE SHOP DRAWINGS FOR APPROVAL PRIOR TO FABRICATION

4 OUTDOOR KITCHEN 1:10

No.	Revision	Date
5		
4	ISSUED FOR SPA 3	13 OCT 2023
3	ISSUED FOR SPA 2	20 JUL 2023
2	ISSUED FOR SPA	20 APR 2023
1	ISSUED FOR COORDINATION	14 APR 2023

North:	Stamp:
--------	--------

CSW
 Landscape Architecture
 Urban Design
 Site Planning
 Recreation and Park Planning
 Project Management
 319 McRae Avenue, Suite 502, Ottawa, Ontario, K1Z 0B9
 Tel: (613) 729-4536

GENERAL NOTES:
 1. All measurements in millimeters unless specified otherwise. Do not scale drawing. All drawings to be read in conjunction with written specifications.
 2. Copyright reserved. This drawing is the exclusive property of CSW Landscape Architects Ltd. and shall not be used without the consent thereof.
 3. This Drawing may not be used for construction until signed by the landscape architect. It is the responsibility of the contractor to:
 • check and verify all dimensions on site;
 • report all errors and/or omissions to the landscape architect;
 • comply with all pertinent codes and by-laws;
 • check and verify locations of all underground services with all local utilities prior to any digging.

Project:
**CLV
 360 LAURIER**
 360 LAURIER STREET
 OTTAWA, ONTARIO

Drawing:
LANDSCAPE DETAILS

Scale: AS NOTED	Date: MARCH 2023
Design By: CM	Drawn By: SW
Project Number: 2161-01	Sheet Number: L3.0