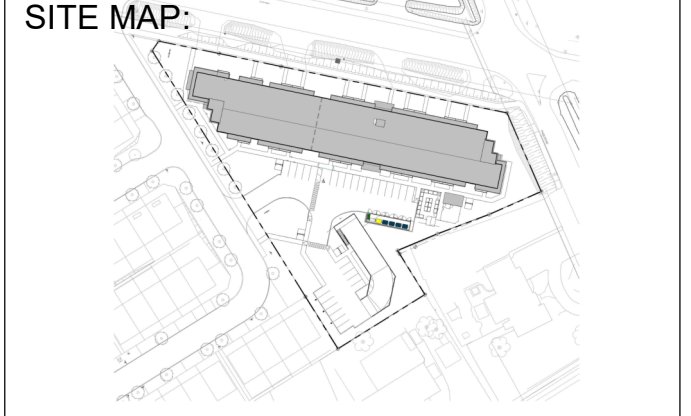


**NAVAN ROAD**



**PROJECT STATUS:**  
ISSUED FOR SITE PLAN CONTROL

**Revision Schedule**

No.	Description	Revision Date
A	ISSUED FOR SPC	04/26/2023

**SEAL:** **ABELEARCHITECTURE**  
THOMAS C. ABELE, ARCHITECT OAA, T. 604.682-6818

TRADE CONTRACTORS SHALL VERIFY ALL DIMENSIONS AND REPORT ANY DISCREPANCIES OR INCONSISTENCIES TO SEYMOUR PACIFIC DEVELOPMENTS LTD., WITHOUT DELAY, FOR CLARIFICATION AND/OR CONFIRMATION. DO NOT SCALE DRAWINGS. DESIGNS REPRESENTED AND DRAWINGS USED AS INSTRUMENTS OF SERVICE SHALL REMAIN THE COPYRIGHT AND PROPERTY OF SEYMOUR PACIFIC DEVELOPMENTS LTD. ANY REPRODUCTION OR USE FOR ANY PURPOSE OTHER THAN THAT AUTHORIZED BY SEYMOUR PACIFIC DEVELOPMENTS LTD. IS PROHIBITED.

CONTRACTORS SHALL REMAIN FAMILIAR WITH, SHALL REFER TO, AND SHALL PERFORM IN ACCORDANCE WITH LOCAL LAWS, REGULATIONS AND BUILDING CODES. CONTRACTORS SHALL MAINTAIN GOOD INDUSTRY BUILDING AND SAFETY PRACTICES CONSISTENT WITH THE CONTRACT INTENT AND THE REQUIREMENTS OF JURISDICTIONAL AUTHORITIES.

ADDITIONAL CLAIMS AND COSTS RELATED TO NON-MATERIAL CHANGES WILL NOT BE ACCEPTED BY SEYMOUR PACIFIC DEVELOPMENTS LTD. NON-MATERIAL CHANGES ARE DEEMED TO BE PLAN CHANGES OR SPECIFICATION ADJUSTMENTS THAT DO NOT SUBSTANTIALLY AFFECT THE VALUE, TIME, COST AND QUALITY OF CONSTRUCTION.

CONTRACTORS SHALL MAKE EVERY REASONABLE EFFORT TO MAINTAIN SCHEDULE TARGETS AND PROVIDE GOOD EFFICIENCY, PROGRESS, WORKMANSHIP AND QUALITY TOWARD DEFICIENCY-FREE RESULTS.

**PROJECT NAME:**  
RHYTHM APARTMENTS

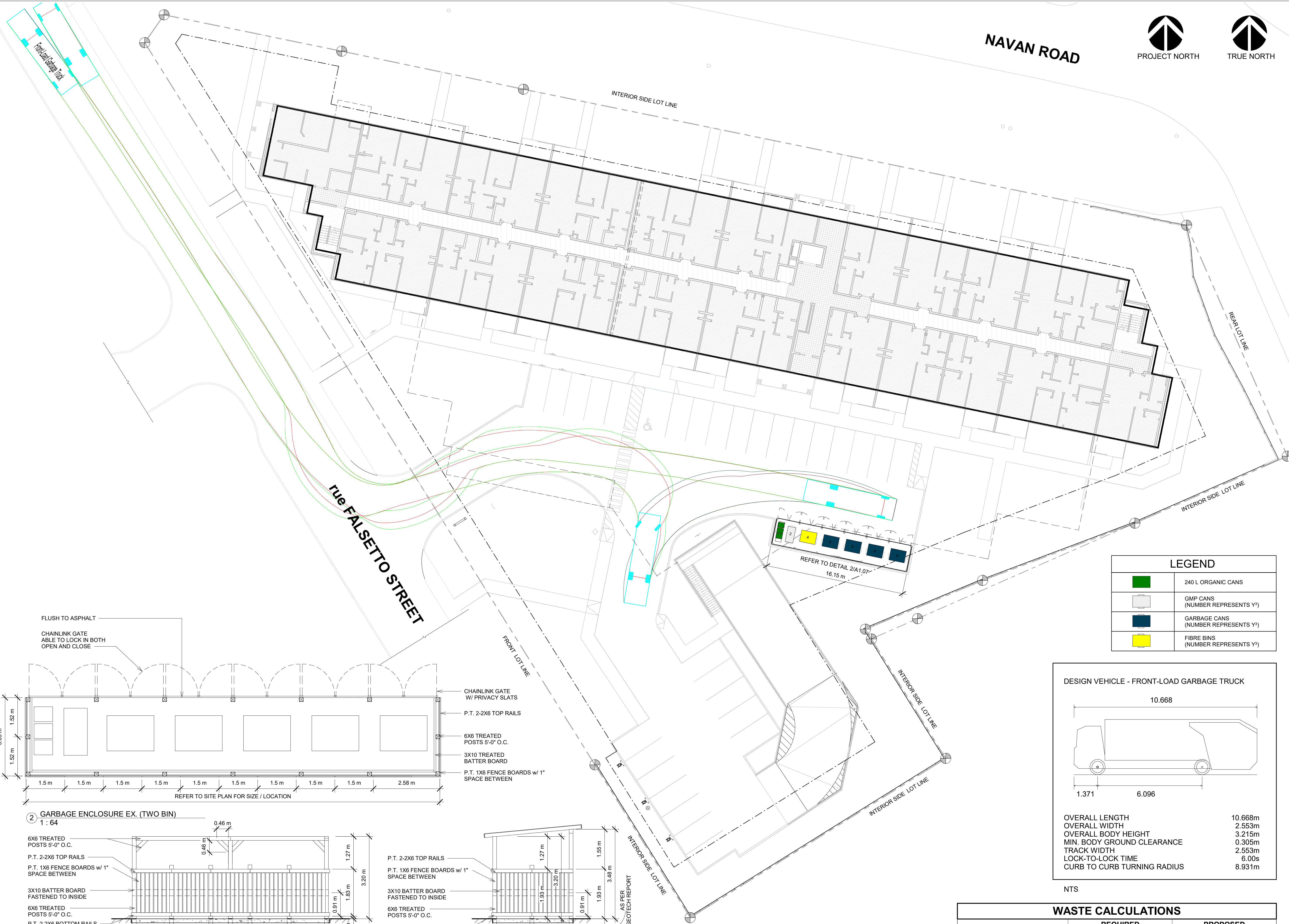
**PROJECT NUMBER:**  
VP 2211

**ADDRESS:**  
3080 NAVAN ROAD, OTTAWA

**DRAWING TITLE:**  
WASTE + RECYCLING PLAN

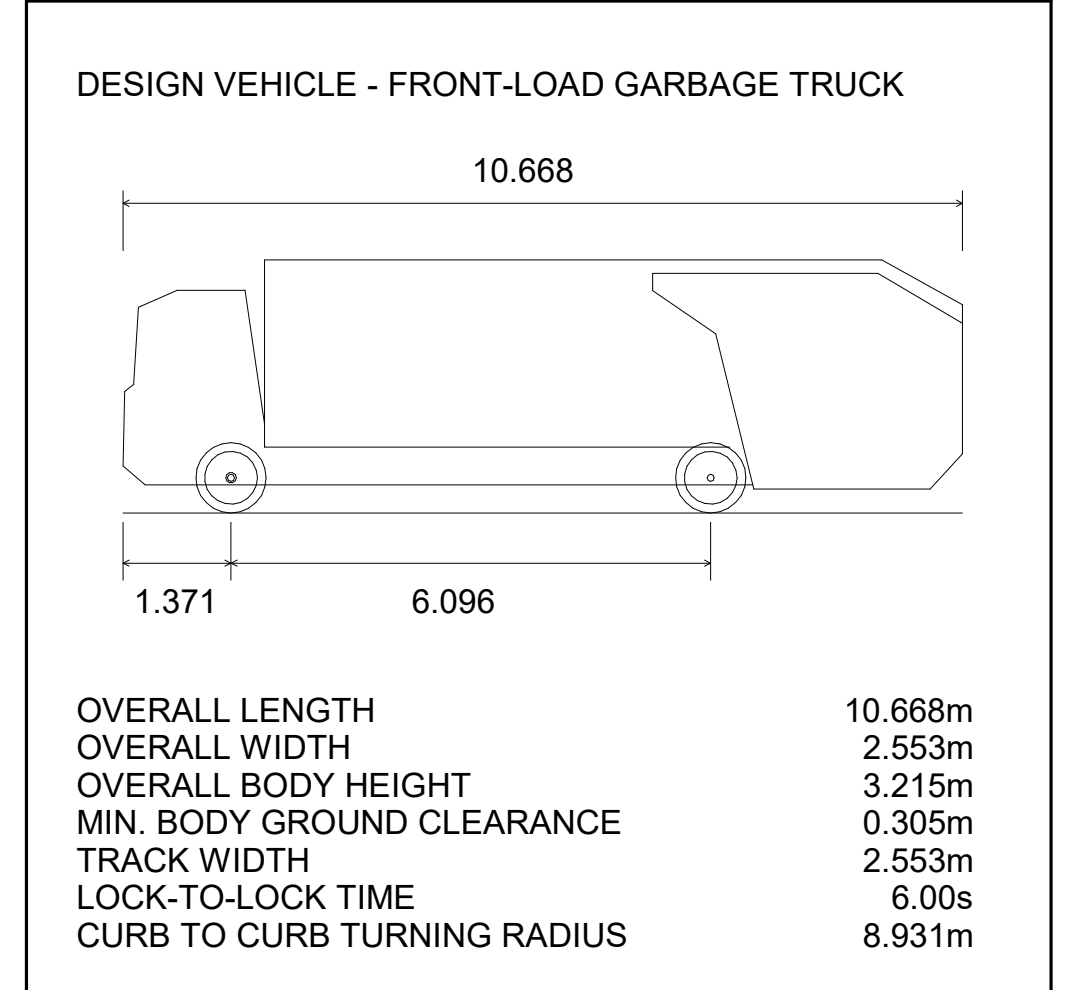
**DRAWN BY:** EC  
**CHECKED BY:** CG  
**DATE:** JULY 12, 2023  
**SCALE:** As indicated

**DRAWING #:** **A1.07**



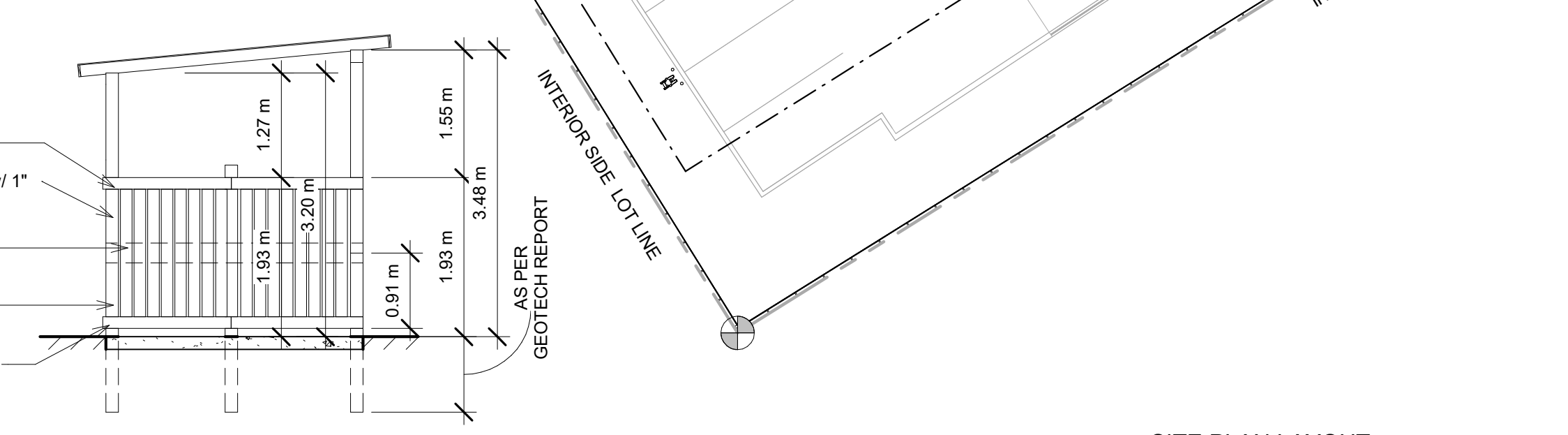
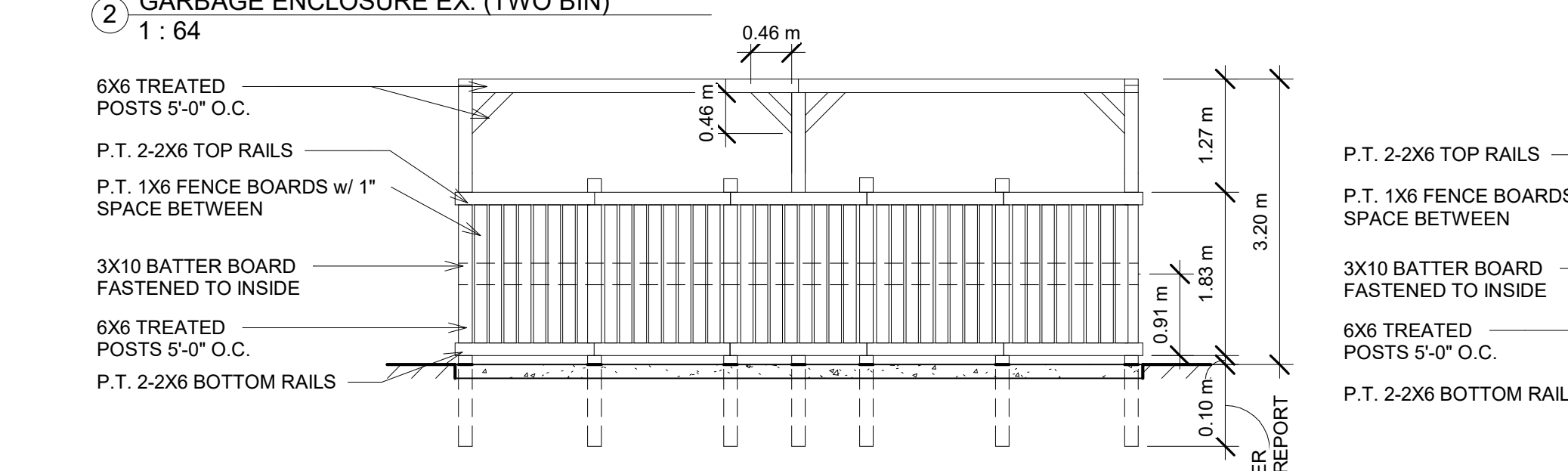
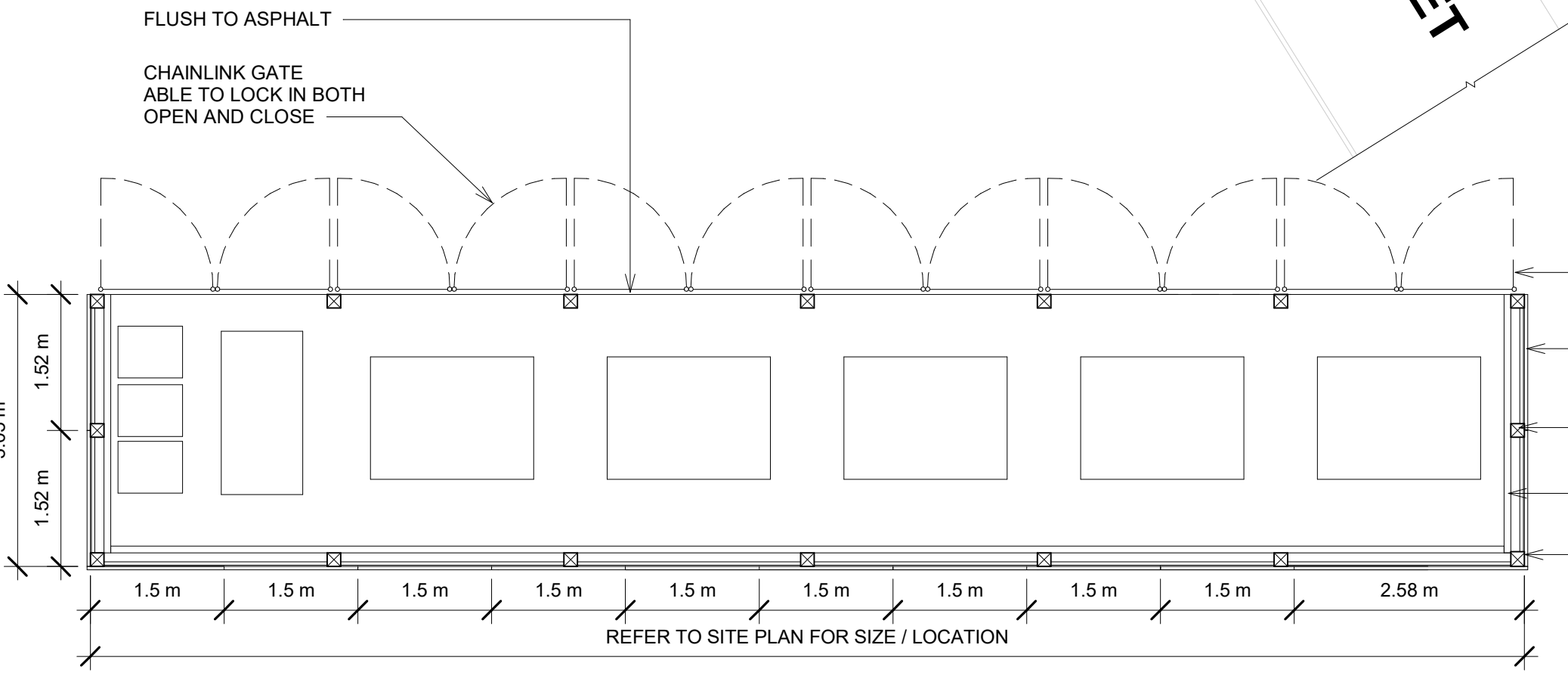
**LEGEND**

	240 L ORGANIC CANS
	GMP CANS (NUMBER REPRESENTS Y <sup>2</sup> )
	GARBAGE CANS (NUMBER REPRESENTS Y <sup>2</sup> )
	FIBRE BINS (NUMBER REPRESENTS Y <sup>2</sup> )



**WASTE CALCULATIONS**

	REQUIRED	PROPOSED
GARBAGE	16 y <sup>2</sup>	16 y <sup>2</sup>
GMP	2 y <sup>2</sup>	2 y <sup>2</sup>
FIBRE	4 y <sup>2</sup>	4 y <sup>2</sup>
ORGANICS	720L	720L



**1 SITE PLAN LAYOUT**  
1 : 192