

ALK-L GEN 2

AREA LIGHT

LED AREA LIGHT WITH VARIETY OF DISTRIBUTION TYPES AND OPTIONS

The ALK-L series delivers exceptional performance in a slim modern design. With an assortment of mounting options available, it can be used in multiple applications. A simple rotation of the lens allows to direct your light in three different directions. The ALK-L includes an easy-to-access driver compartment door. This high-end area light is a great addition to any commercial or industrial area lighting application.

FEATURES AND SPECIFICATIONS

• Construction

Housing

- Aluminum Die Cast
- Standard Black or Bronze¹
Powder Coat anti-corrosive finish
- Aluminum heat sink for a better heat dissipation
- All configurations come standard with a 3 pin receptacle and shoring cap.

Mounting options

- Square Pole Arm
- Round Pole Arm
- Slipfitter
- Yoke mount
- Adjustable arm for square pole and wall mount.

Lens and Optics

- Outfitted with a polycarbonate Lens
- Offered in Type III, IV and V with rotatable lenses to allow for light distribution in various directions.

• Performance Data

- Available in 3 000, 4 000 and 5 000 K single color temperatures
- 80+ CRI
- Electrical ratings: 120-277 V and 347-480 V
- Estimated life of over 50 000 hours to L70
- 0-10 V dimming standard
- 10kV surge protection
- Operating temperature: -40 °C to 40 °C (-40 °F to 104 °F)

• Compliances

- cULus listed for wet locations
- Class B for use in residential applications
- IP66
- IK08



OVERVIEW

Light source	LED
Watts (W)	37, 50, 75, 115, 180, 230, 300, 420
Lumen output (lm)	5 549 - 67 117
Efficacy (lm/W)	149 - 170
Color temperature (K)	3 000, 4 000, 5 000
CRI	80+

¹ Bronze standard color applies for S1C to S6C lumen packages

Not all products are qualified on the DLC QPL. To view our DLC qualified products, please consult the DLC Qualified Products List at www.designlights.org/search.

ORDERING GUIDE

ALK — L S2C 4 — I — 40K — BK / /

Series	Lamp type	Lumen package (W)	Distribution type	Volts (V)	Color temp. (K)	Casting color	Mounting options	Options
ALK	L - LED	S1C - 37 S2C - 50 S3C - 75 S4C - 115 S5C - 180 S6C - 230 S7C - 300 S8C - 420	3 - Type III 3R - Type III Right 3L - Type III Left 4 - Type IV 4R - Type IV Right 4L - Type IV Left 5 - Type V	W - 120-277 I - 347-480	30K - 3 000 40K - 4 000 50K - 5 000	BK - Black (standard) BR - Bronze (standard) ³ WH - White GY - Grey SP - Special color	PA6 - 6" square pole arm PA6R - 6" round pole arm A - Slipfitter TR - Yoke mount AR - Adjustable arm for square pole and wall mount	PR7 - 7 pin photocell receptacle only KV ¹ - 10 kV surge protection OSI-PB-1001 ² - Occupancy sensor

¹ Apply only for 347 V as it's comes standard in 120-277 V.
² Occupancy sensor option not available for S7C lumen package in 120-277V and for the S8C lumen package in both voltages.
³ Bronze standard color applies for S1C to S6C lumen packages.

OCCUPANCY SENSOR

Part number	Position	Volts (V)	Technology	Height (ft. max)	Detection Area (%)	Hold time (min)	Stand-by dim level (%)	Daylight min level	Remote	Location (°C)
OSI-PB-1001 ¹	Internal	120 - 347	PIR	40	100	15	50	Disable	OSI-FSIR-100 ²	Wet, -40 to 75

¹ Lens color options available: Black, White, Grey.
² To be ordered separately.

ACCESSORIES (order separately)

Order code	Description
69422	House side shield 37-115W
69423	House side shield 180-420W

* Hardware kit supplied

37-115W



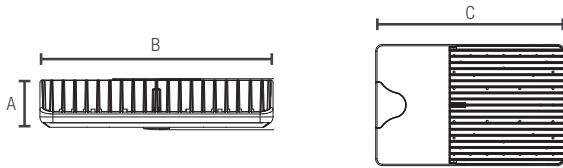
180-420W



TECHNICAL SPECIFICATION TABLE






Lumen package	Watts (W)	Type of distrib.	Volts (V)	Fixture current (A)	3 000 K			4 000 K			5 000 K			Power factor	THD (%)	BUG	Life L70 (hrs)
					Lumen (lm)	Efficacy (lm/W)	CRI	Lumen (lm)	Efficacy (lm/W)	CRI	Lumen (lm)	Efficacy (lm/W)	CRI				
S1C	35	III	120 - 277	0.3 - 0.16	5 211	141	82	5 675	153	82	5 571	151	82	0.99	3.53	101	>54 000
			347 - 480	0.11 - 0.10	5 211	141		5 675	153		5 571	151		0.89	8.94	101	
		IV	120 - 277	0.3 - 0.16	5 274	143		5 743	155		5 637	152		0.99	3.53	101	
			347 - 480	0.11 - 0.10	5 274	143		5 743	155		5 637	152		0.89	8.94	101	
		V	120 - 277	0.3 - 0.16	5 258	142		5 726	155		5 621	152		0.99	3.53	301	
			347 - 480	0.11 - 0.10	5 258	142		5 726	155		5 621	152		0.89	8.94	301	
S2C	50	III	120 - 277	0.44 - 0.21	7 108	142	82	7 740	155	82	7 598	152	82	0.90	18.53	201	>54 000
			347 - 480	0.16 - 0.13	7 108	142		7 740	155		7 598	152		0.95	6.50	201	
		IV	120 - 277	0.44 - 0.21	7 193	144		7 833	157		7 689	154		0.90	18.53	202	
			347 - 480	0.16 - 0.13	7 193	144		7 833	157		7 689	154		0.95	6.50	20	
		V	120 - 277	0.44 - 0.21	7 172	143		7 810	156		7 667	153		0.90	18.53	301	
			347 - 480	0.16 - 0.13	7 172	143		7 810	156		7 667	153		0.95	6.50	302	
S3C	75	III	120 - 277	0.63 - 0.28	12 551	161	83	12 802	164	83	13 053	168	85	0.93	13.38	202	>54 000
			347 - 480	0.22 - 0.16	12 103	161		12 346	165		12 588	168		0.93	11.29	202	
		IV	120 - 277	0.63 - 0.28	12 122	156		12 261	159		12 399	162		0.93	13.88	302	
			347 - 480	0.22 - 0.16	11 814	156		12 051	159		12 287	163		0.93	11.29	302	
		V	120 - 277	0.63 - 0.28	12 487	161		12 737	164		12 987	167		0.93	13.89	402	
			347 - 480	0.22 - 0.16	12 099	161		12 341	165		12 583	168		0.93	11.29	402	
S4C	115	III	120 - 277	0.97 - 0.45	17 767	154	83	18 122	157	83	18 478	160	85	0.93	13.48	303	>54 000
			347 - 480	0.34 - 0.22	17 695	154		18 049	157		18 403	160		0.9	15	303	
		IV	120 - 277	0.97 - 0.45	17 418	151		17 767	154		18 115	157		0.93	13.48	303	
			347 - 480	0.34 - 0.22	17 348	151		17 695	154		18 042	157		0.9	15	303	
		V	120 - 277	0.97 - 0.45	17 971	155		18 330	158		18 690	162		0.93	13.48	402	
			347 - 480	0.34 - 0.22	17 898	156		18 256	159		18 614	162		0.9	15	402	
S5C	180	III	120 - 277	1.52 - 0.70	29 431	161	83	30 020	165	83	30 608	168	85	0.91	10.94	303	>54 000
			347 - 480	0.52 - 0.36	29 102	162		29 684	165		30 266	168		0.9	15	303	
		IV	120 - 277	1.52 - 0.70	28 853	158		29 431	161		30 008	165		0.91	10.94	304	
			347 - 480	0.52 - 0.36	28 531	159		29 102	162		29 672	165		0.9	15	304	
		V	120 - 277	1.52 - 0.70	29 769	163		30 364	166		30 959	170		0.91	10.94	503	
			347 - 480	0.52 - 0.36	29 436	164		30 024	167		30 613	170		0.9	15	503	
S6C	230	III	120 - 277	1.93 - 0.83	36 049	157	83	36 770	160	83	37 491	164	85	0.97	8.73	404	>54 000
			347 - 480	0.53 - 0.44	36 248	158		36 973	161		37 698	164		0.9	15	404	
		IV	120 - 277	1.93 - 0.83	35 343	154		36 049	157		36 756	160		0.97	8.73	404	
			347 - 480	0.53 - 0.44	35 537	155		36 248	158		36 958	161		0.9	15	404	
		V	120 - 277	1.93 - 0.83	36 463	159		37 192	162		37 922	165		0.97	8.73	504	
			347 - 480	0.53 - 0.44	36 663	159		37 397	163		38 130	166		0.9	15	504	
S7C	300	III	120 - 277	2.52 - 1.11	47 816	158	83	48 772	161	83	49 729	164	85	0.96	8.4	404	>54 000
			347 - 480	0.87 - 0.57	47 516	158		48 466	162		49 416	165		0.9	15	404	
		IV	120 - 277	2.52 - 1.11	46 880	155		47 816	158		48 754	161		0.96	8.4	405	
			347 - 480	0.87 - 0.57	46 584	155		47 516	158		48 447	161		0.9	15	405	
		V	120 - 277	2.52 - 1.11	48 364	160		49 332	163		50 299	166		0.96	8.4	505	
			347 - 480	0.87 - 0.57	48 061	160		49 022	163		49 983	167		0.9	15	505	
S8C	420	III	120 - 277	3.48 - 1.56	63 734	152	83	65 008	155	83	66 283	158	85	0.96	9.75	505	>54 000
			347 - 480	1.09 - 0.80	63 800	152		65 076	155		66 352	158		0.9	15	505	
		IV	120 - 277	3.48 - 1.56	62 482	149		63 734	152		64 983	155		0.96	9.75	505	
			347 - 480	1.09 - 0.80	62 549	149		63 800	152		65 051	155		0.9	15	505	
		V	120 - 277	3.48 - 1.56	64 465	153		65 754	156		67 043	159		0.96	9.75	505	
			347 - 480	1.09 - 0.80	64 532	154		65 823	157		67 114	160		0.9	15	505	

DIMENSIONS

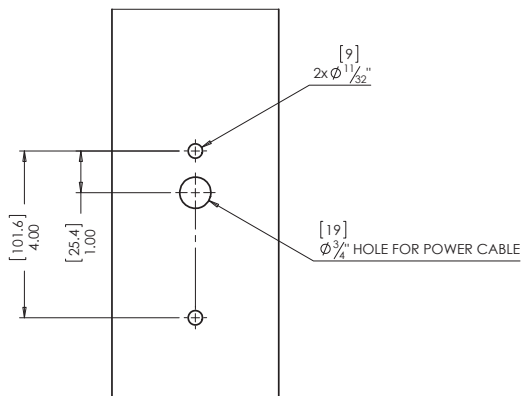


Dimensions	S1C, S2C, S3C, S4C	S5C, S6C	S7C, S8C
A	2.2" (5.6cm)	2.2" (5.6cm)	3" (7.6cm)
B	10.6" (27cm)	13.7" (35cm)	14" (36cm)
C	24" (60cm)	27" (69.4cm)	27" (69.4cm)

EPA

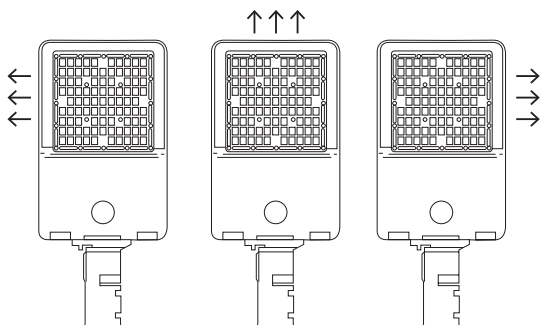
					
Configuration	Single	2 @ 90°	2 @ 180°	3 @ 90°	4 @ 90°
S1C, S2C, S3C, S4C	0.18	0.37	0.38	0.55	0.73
S5C, S6C	0.23	0.49	0.59	1.54	1.87
S7C, S8C	0.32	0.53	0.6	1.65	1.93

DRILLING PATTERN



EASY LIGHT DISTRIBUTION

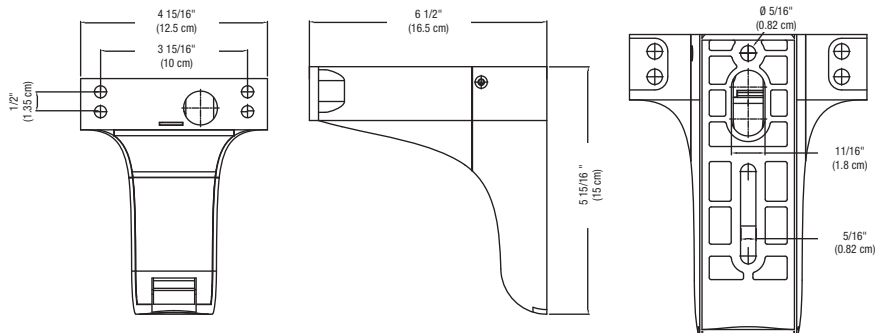
Simply rotate the lens and get different light distribution in different directions.



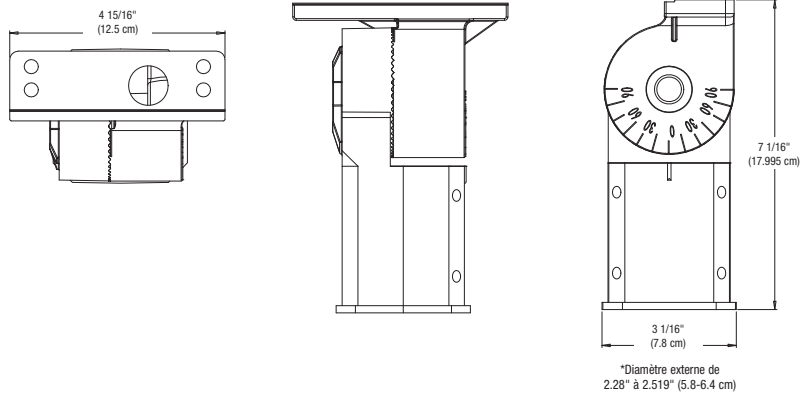
Data is based upon tests performed in a controlled environment. Actual performance can vary depending on operating conditions. All products are subject to change or may be discontinued any time without notice.

MOUNTING

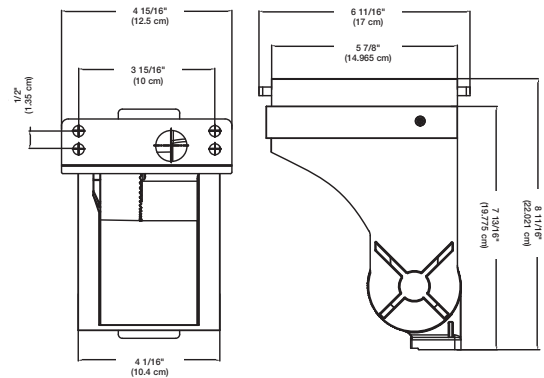
PA6 - SQUARE OR ROUND POLE ARM



A - SPLIFFER



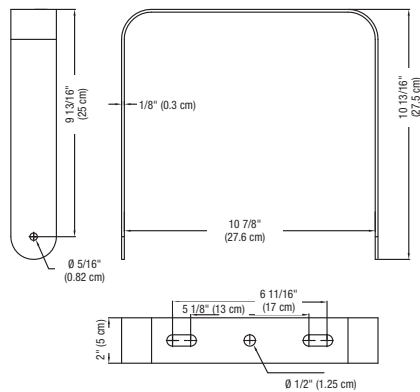
AR - ADJUSTABLE ARM FOR SQUARE POLE AND WALL MOUNT



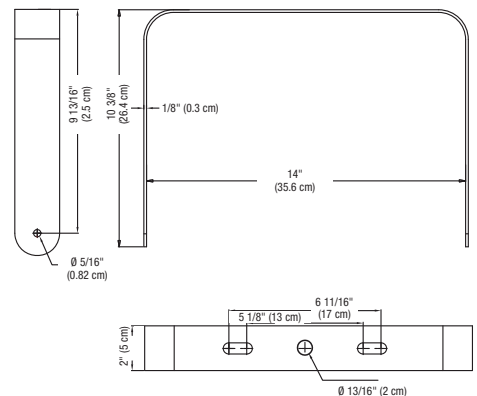
TR - YOKE



Small U shape bracket



Large U shape bracket

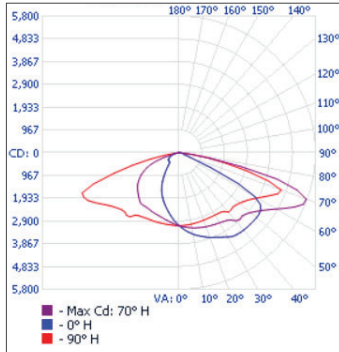


Data is based upon tests performed in a controlled environment. Actual performance can vary depending on operating conditions. All products are subject to change or may be discontinued any time without notice.

PHOTOMETRIC DATA¹

ALK-LS3C3-XX/40K • 75 W • 4 000 K • 12 800 lm

Polar candela distribution



Zonal lumen summary

Zone	Lumens	% Fixture
0-30	2 523.3	19.7%
0-40	4 342.1	33.9%
0-60	8 998.4	70.3%
60-90	3 802.3	29.7%
70-100	1 340.5	10.5%
90-120	0	0%
0-90	12,800.7	100%
90-180	0	0%
0-180	12,800.7	100%

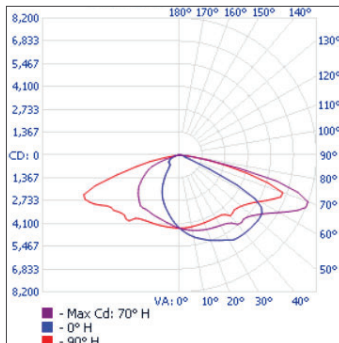
Illuminance at a distance

Center beam fc		Beam width	
17.0'	10.7 fc	29.9'	93.2'
34.0'	2.68 fc	59.8'	186.4'
51.0'	1.19 fc	89.7'	279.6'
68.0'	0.67 fc	119.6'	372.7'
85.0'	0.43 fc	149.6'	465.9'
102.0'	0.30 fc	179.5'	559.1'

■ Vert. spread: 82.7°
■ Horiz. spread: 139.9°

ALK-LS4C3-XX/40K • 115 W • 4 000 K • 18 120 lm

Polar candela distribution



Zonal lumen summary

Zone	Lumens	% Fixture
0-30	3 576.7	19.7%
0-40	6 168.8	34%
0-60	12 792.6	70.6%
60-90	5 327.6	29.4%
70-100	1 855.2	10.2%
90-120	0	0%
0-90	18 120.2	100%
90-180	0	0%
0-180	18 120.2	100%

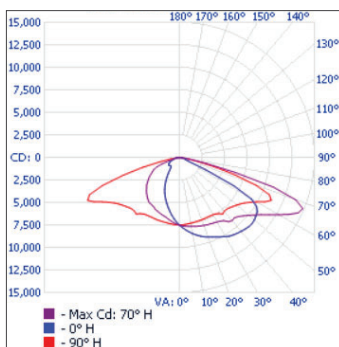
Illuminance at a distance

Center beam fc		Beam width	
17.0'	15.2 fc	29.8'	98.9'
34.0'	18.1 fc	59.6'	197.8'
51.0'	8.06 fc	89.5'	296.7'
68.0'	4.54 fc	119.3'	395.5'
85.0'	2.90 fc	149.1'	494.4'
102.0'	2.01 fc	178.9'	593.3'

■ Vert. spread: 82.5°
■ Horiz. spread: 178.9°

ALK-LS5C3-XX/40K • 180 W • 4 000 K • 30 017 lm

Polar candela distribution



Zonal lumen summary

Zone	Lumens	% Fixture
0-30	5 997.8	20%
0-40	10 254.4	34.2%
0-60	21 440.8	71.4%
60-90	8 576.6	28.6%
70-100	2 562.4	8.5%
90-120	0	0%
0-90	30 017.5	100%
90-180	0	0%
0-180	30 017.5	100%

Illuminance at a distance

Center beam fc		Beam width	
17.0'	26.0 fc	24.4'	88.4'
34.0'	6.49 fc	48.7'	176.8'
51.0'	2.89 fc	73.1'	265.3'
68.0'	1.62 fc	97.5'	353.7'
85.0'	1.04 fc	121.8'	442.1'
102.0'	0.72 fc	146.2'	530.5'

■ Vert. spread: 71.3°
■ Horiz. spread: 137.9°

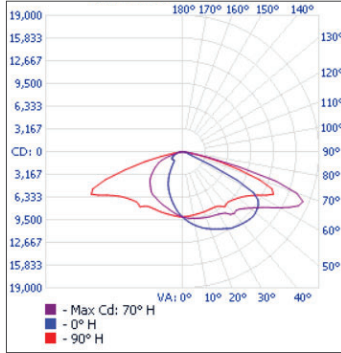
¹ Complete IES files available on our website.

Data is based upon tests performed in a controlled environment. Actual performance can vary depending on operating conditions. All products are subject to change or may be discontinued any time without notice.

PHOTOMETRIC DATA¹

ALK-LS6C3-XX/40K • 230 W • 4 000 K • 36 766 lm

Polar candela distribution



Zonal lumen summary

Zone	Lumens	% Fixture
0-30	7 272.7	19.8%
0-40	12 456.1	33.9%
0-60	26 129.6	71.1%
60-90	10 636.8	28.9%
70-100	3 221.1	8.8%
90-120	0	0%
0-90	36 766.4	100%
90-180	0	0%
0-180	36 766.4	100%

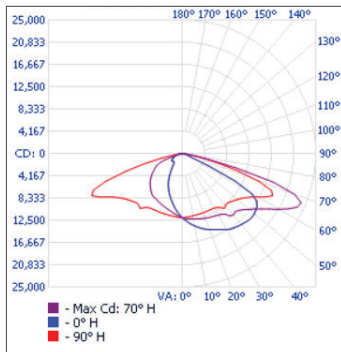
Illuminance at a distance

Center beam fc		Beam width	
17.0'	31.5 fc	24.4'	89.5'
34.0'	7.86 fc	48.8'	179.0'
51.0'	3.49 fc	73.2'	268.5'
68.0'	1.97 fc	97.6'	358.0'
85.0'	1.26 fc	122.0'	447.4'
102.0'	0.87 fc	146.4'	536.9'

■ Vert. spread: 71.3°
■ Horiz. spread: 138.4°

ALK-LS7C3-XX/40K • 300 W • 4 000 K • 48 768 lm

Polar candela distribution



Zonal lumen summary

Zone	Lumens	% Fixture
0-30	9 619.2	19.7%
0-40	16 498.4	33.8%
0-60	34 688.0	71.1%
60-90	14 080.0	28.9%
70-100	4 224.1	8.7%
90-120	0	0%
0-90	48 768.0	100%
90-180	0	0%
0-180	48 768.0	100%

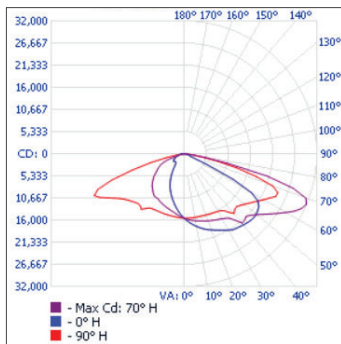
Illuminance at a distance

Center beam fc		Beam width	
17.0'	41.6 fc	24.7'	89.1'
34.0'	10.4 fc	49.5'	178.2'
51.0'	4.62 fc	74.2'	267.3'
68.0'	2.60 fc	99.0'	356.5'
85.0'	1.66 fc	123.7'	445.6'
102.0'	1.15 fc	148.4'	534.7'

■ Vert. spread: 72.1°
■ Horiz. spread: 138.2°

ALK-LS8C3-XX/40K • 420 W • 4 000 K • 65 003 lm

Polar candela distribution



Zonal lumen summary

Zone	Lumens	% Fixture
0-30	12 575.1	19.3%
0-40	21 697.6	33.4%
0-60	45 937.3	70.7%
60-90	19 066.1	29.3%
70-100	6 133.4	9.4%
90-120	0	0%
0-90	65 003.4	100%
90-180	0	0%
0-180	65 003.4	100%

Illuminance at a distance

Center beam fc		Beam width	
17.0'	53.7 fc	27.8'	92.7'
34.0'	13.4 fc	55.7'	185.3'
51.0'	5.96 fc	83.5'	278.0'
68.0'	3.36 fc	111.4'	370.7'
85.0'	2.15 fc	139.2'	463.4'
102.0'	1.49 fc	167.1'	556.0'

■ Vert. spread: 78.6°
■ Horiz. spread: 139.7°

¹ Complete IES files available on our website.

Data is based upon tests performed in a controlled environment. Actual performance can vary depending on operating conditions. All products are subject to change or may be discontinued any time without notice.

ALK-L GEN 2

AREA LIGHT

LED AREA LIGHT WITH VARIETY OF DISTRIBUTION TYPES AND OPTIONS

The ALK-L series delivers exceptional performance in a slim modern design. With an assortment of mounting options available, it can be used in multiple applications. A simple rotation of the lens allows to direct your light in three different directions. The ALK-L includes an easy-to-access driver compartment door. This high-end area light is a great addition to any commercial or industrial area lighting application.

FEATURES AND SPECIFICATIONS

• Construction

Housing

- Aluminum Die Cast
- Standard Black or Bronze¹
Powder Coat anti-corrosive finish
- Aluminum heat sink for a better heat dissipation
- All configurations come standard with a 3 pin receptacle and shoring cap.

Mounting options

- Square Pole Arm
- Round Pole Arm
- Slipfitter
- Yoke mount
- Adjustable arm for square pole and wall mount.

Lens and Optics

- Outfitted with a polycarbonate Lens
- Offered in Type III, IV and V with rotatable lenses to allow for light distribution in various directions.

• Performance Data

- Available in 3 000, 4 000 and 5 000 K single color temperatures
- 80+ CRI
- Electrical ratings: 120-277 V and 347-480 V
- Estimated life of over 50 000 hours to L70
- 0-10 V dimming standard
- 10kV surge protection
- Operating temperature: -40 °C to 40 °C (-40 °F to 104 °F)

• Compliances

- cULus listed for wet locations
- Class B for use in residential applications
- IP66
- IK08



Not all products are qualified on the DLC QPL. To view our DLC qualified products, please consult the DLC Qualified Products List at www.designlights.org/search.

OVERVIEW

Light source	LED
Watts (W)	37, 50, 75, 115, 180, 230, 300, 420
Lumen output (lm)	5 549 - 67 117
Efficacy (lm/W)	149 - 170
Color temperature (K)	3 000, 4 000, 5 000
CRI	80+

¹ Bronze standard color applies for S1C to S6C lumen packages

ORDERING GUIDE

ALK — L S2C 4 — I — 40K — BK / /

Series	Lamp type	Lumen package (W)	Distribution type	Volts (V)	Color temp. (K)	Casting color	Mounting options	Options
ALK	L - LED	S1C - 37 S2C - 50 S3C - 75 S4C - 115 S5C - 180 S6C - 230 S7C - 300 S8C - 420	3 - Type III 3R - Type III Right 3L - Type III Left 4 - Type IV 4R - Type IV Right 4L - Type IV Left 5 - Type V	W - 120-277 I - 347-480	30K - 3 000 40K - 4 000 50K - 5 000	BK - Black (standard) BR - Bronze (standard) ³ WH - White GY - Grey SP - Special color	PA6 - 6" square pole arm PA6R - 6" round pole arm A - Slipfitter TR - Yoke mount AR - Adjustable arm for square pole and wall mount	PR7 - 7 pin photocell receptacle only KV ¹ - 10 kV surge protection OSI-PB-1001 ² - Occupancy sensor

¹ Apply only for 347 V as it's comes standard in 120-277 V.
² Occupancy sensor option not available for S7C lumen package in 120-277V and for the S8C lumen package in both voltages.
³ Bronze standard color applies for S1C to S6C lumen packages.

OCCUPANCY SENSOR

Part number	Position	Volts (V)	Technology	Height (ft. max)	Detection Area (%)	Hold time (min)	Stand-by dim level (%)	Daylight min level	Remote	Location (°C)
OSI-PB-1001 ¹	Internal	120 - 347	PIR	40	100	15	50	Disable	OSI-FSIR-100 ²	Wet, -40 to 75

¹ Lens color options available: Black, White, Grey.
² To be ordered separately.

ACCESSORIES (order separately)

Order code	Description
69422	House side shield 37-115W
69423	House side shield 180-420W

* Hardware kit supplied

37-115W



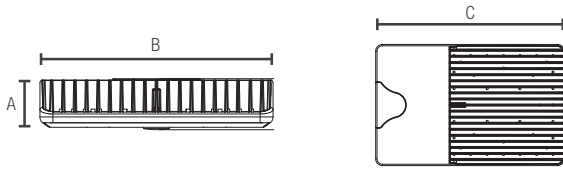
180-420W



TECHNICAL SPECIFICATION TABLE






Lumen package	Watts (W)	Type of distrib.	Volts (V)	Fixture current (A)	3 000 K			4 000 K			5 000 K			Power factor	THD (%)	BUG	Life L70 (hrs)
					Lumen (lm)	Efficacy (lm/W)	CRI	Lumen (lm)	Efficacy (lm/W)	CRI	Lumen (lm)	Efficacy (lm/W)	CRI				
S1C	35	III	120 - 277	0.3 - 0.16	5 211	141	82	5 675	153	82	5 571	151	82	0.99	3.53	101	>54 000
			347 - 480	0.11 - 0.10	5 211	141		5 675	153		5 571	151		0.89	8.94	101	
		IV	120 - 277	0.3 - 0.16	5 274	143	5 743	155	5 637	152	0.99	3.53	101				
			347 - 480	0.11 - 0.10	5 274	143	5 743	155	5 637	152	0.89	8.94	101				
		V	120 - 277	0.3 - 0.16	5 258	142	5 726	155	5 621	152	0.99	3.53	301				
			347 - 480	0.11 - 0.10	5 258	142	5 726	155	5 621	152	0.89	8.94	301				
S2C	50	III	120 - 277	0.44 - 0.21	7 108	142	82	7 740	155	82	7 598	152	82	0.90	18.53	201	>54 000
			347 - 480	0.16 - 0.13	7 108	142		7 740	155		7 598	152		0.95	6.50	201	
		IV	120 - 277	0.44 - 0.21	7 193	144	7 833	157	7 689	154	0.90	18.53	202				
			347 - 480	0.16 - 0.13	7 193	144	7 833	157	7 689	154	0.95	6.50	20				
		V	120 - 277	0.44 - 0.21	7 172	143	7 810	156	7 667	153	0.90	18.53	301				
			347 - 480	0.16 - 0.13	7 172	143	7 810	156	7 667	153	0.95	6.50	302				
S3C	75	III	120 - 277	0.63 - 0.28	12 551	161	83	12 802	164	83	13 053	168	85	0.93	13.38	202	>54 000
			347 - 480	0.22 - 0.16	12 103	161		12 346	165		12 588	168		0.93	11.29	202	
		IV	120 - 277	0.63 - 0.28	12 122	156	12 261	159	12 399	162	0.93	13.88	302				
			347 - 480	0.22 - 0.16	11 814	156	12 051	159	12 287	163	0.93	11.29	302				
		V	120 - 277	0.63 - 0.28	12 487	161	12 737	164	12 987	167	0.93	13.89	402				
			347 - 480	0.22 - 0.16	12 099	161	12 341	165	12 583	168	0.93	11.29	402				
S4C	115	III	120 - 277	0.97 - 0.45	17 767	154	83	18 122	157	83	18 478	160	85	0.93	13.48	303	>54 000
			347 - 480	0.34 - 0.22	17 695	154		18 049	157		18 403	160		0.9	15	303	
		IV	120 - 277	0.97 - 0.45	17 418	151	17 767	154	18 115	157	0.93	13.48	303				
			347 - 480	0.34 - 0.22	17 348	151	17 695	154	18 042	157	0.9	15	303				
		V	120 - 277	0.97 - 0.45	17 971	155	18 330	158	18 690	162	0.93	13.48	402				
			347 - 480	0.34 - 0.22	17 898	156	18 256	159	18 614	162	0.9	15	402				
S5C	180	III	120 - 277	1.52 - 0.70	29 431	161	83	30 020	165	83	30 608	168	85	0.91	10.94	303	>54 000
			347 - 480	0.52 - 0.36	29 102	162		29 684	165		30 266	168		0.9	15	303	
		IV	120 - 277	1.52 - 0.70	28 853	158	29 431	161	30 008	165	0.91	10.94	304				
			347 - 480	0.52 - 0.36	28 531	159	29 102	162	29 672	165	0.9	15	304				
		V	120 - 277	1.52 - 0.70	29 769	163	30 364	166	30 959	170	0.91	10.94	503				
			347 - 480	0.52 - 0.36	29 436	164	30 024	167	30 613	170	0.9	15	503				
S6C	230	III	120 - 277	1.93 - 0.83	36 049	157	83	36 770	160	83	37 491	164	85	0.97	8.73	404	>54 000
			347 - 480	0.53 - 0.44	36 248	158		36 973	161		37 698	164		0.9	15	404	
		IV	120 - 277	1.93 - 0.83	35 343	154	36 049	157	36 756	160	0.97	8.73	404				
			347 - 480	0.53 - 0.44	35 537	155	36 248	158	36 958	161	0.9	15	404				
		V	120 - 277	1.93 - 0.83	36 463	159	37 192	162	37 922	165	0.97	8.73	504				
			347 - 480	0.53 - 0.44	36 663	159	37 397	163	38 130	166	0.9	15	504				
S7C	300	III	120 - 277	2.52 - 1.11	47 816	158	83	48 772	161	83	49 729	164	85	0.96	8.4	404	>54 000
			347 - 480	0.87 - 0.57	47 516	158		48 466	162		49 416	165		0.9	15	404	
		IV	120 - 277	2.52 - 1.11	46 880	155	47 816	158	48 754	161	0.96	8.4	405				
			347 - 480	0.87 - 0.57	46 584	155	47 516	158	48 447	161	0.9	15	405				
		V	120 - 277	2.52 - 1.11	48 364	160	49 332	163	50 299	166	0.96	8.4	505				
			347 - 480	0.87 - 0.57	48 061	160	49 022	163	49 983	167	0.9	15	505				
S8C	420	III	120 - 277	3.48 - 1.56	63 734	152	83	65 008	155	83	66 283	158	85	0.96	9.75	505	>54 000
			347 - 480	1.09 - 0.80	63 800	152		65 076	155		66 352	158		0.9	15	505	
		IV	120 - 277	3.48 - 1.56	62 482	149	63 734	152	64 983	155	0.96	9.75	505				
			347 - 480	1.09 - 0.80	62 549	149	63 800	152	65 051	155	0.9	15	505				
		V	120 - 277	3.48 - 1.56	64 465	153	65 754	156	67 043	159	0.96	9.75	505				
			347 - 480	1.09 - 0.80	64 532	154	65 823	157	67 114	160	0.9	15	505				

DIMENSIONS

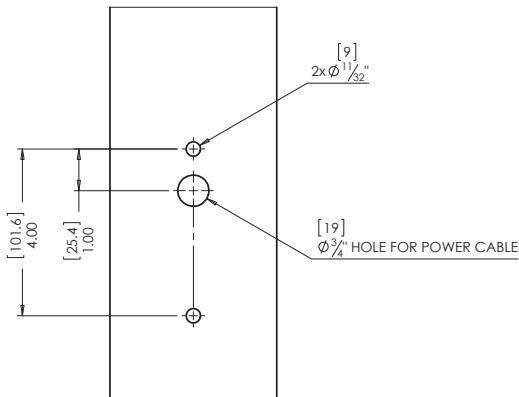


Dimensions	S1C, S2C, S3C, S4C	S5C, S6C	S7C, S8C
A	2.2" (5.6cm)	2.2" (5.6cm)	3" (7.6cm)
B	10.6" (27cm)	13.7" (35cm)	14" (36cm)
C	24" (60cm)	27" (69.4cm)	27" (69.4cm)

EPA

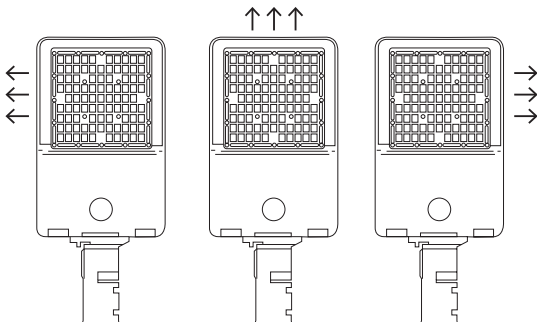
					
Configuration	Single	2 @ 90°	2 @ 180°	3 @ 90°	4 @ 90°
S1C, S2C, S3C, S4C	0.18	0.37	0.38	0.55	0.73
S5C, S6C	0.23	0.49	0.59	1.54	1.87
S7C, S8C	0.32	0.53	0.6	1.65	1.93

DRILLING PATTERN



EASY LIGHT DISTRIBUTION

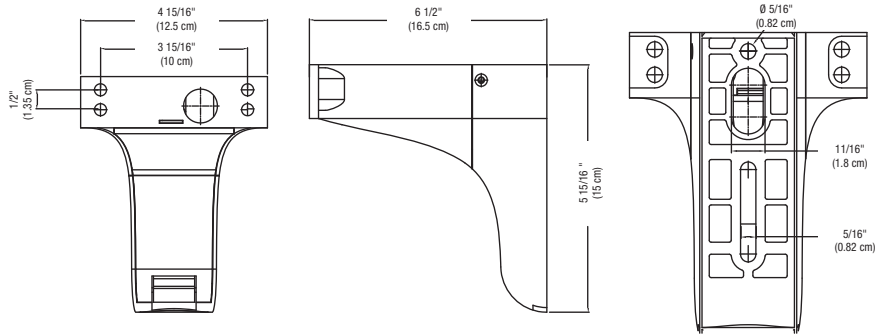
Simply rotate the lens and get different light distribution in different directions.



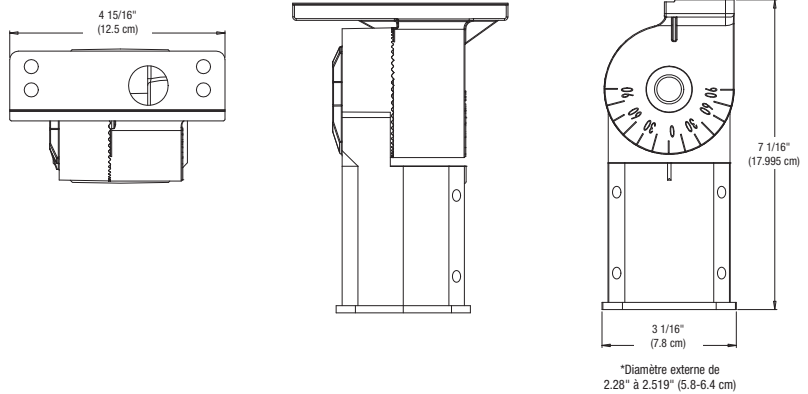
Data is based upon tests performed in a controlled environment. Actual performance can vary depending on operating conditions. All products are subject to change or may be discontinued any time without notice.

MOUNTING

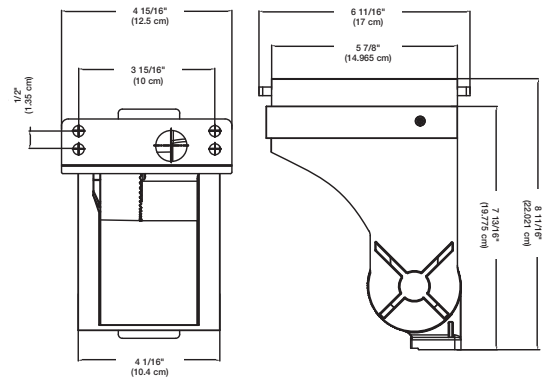
PA6 - SQUARE OR ROUND POLE ARM



A - SPLIFFER



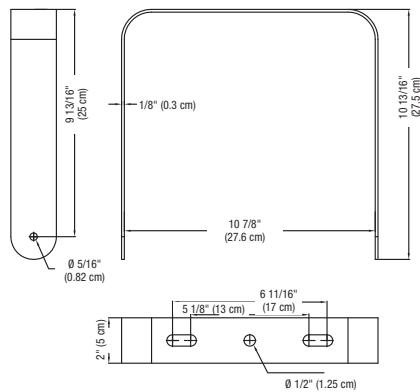
AR - ADJUSTABLE ARM FOR SQUARE POLE AND WALL MOUNT



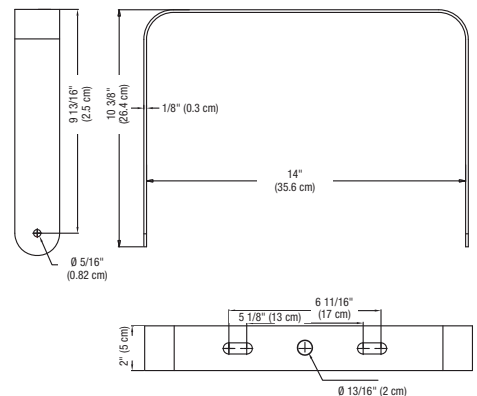
TR - YOKE



Small U shape bracket



Large U shape bracket

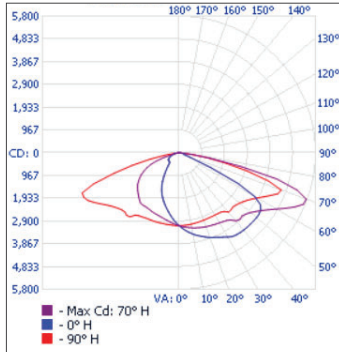


Data is based upon tests performed in a controlled environment. Actual performance can vary depending on operating conditions. All products are subject to change or may be discontinued any time without notice.

PHOTOMETRIC DATA¹

ALK-LS3C3-XX/40K • 75 W • 4 000 K • 12 800 lm

Polar candela distribution



Zonal lumen summary

Zone	Lumens	% Fixture
0-30	2 523.3	19.7%
0-40	4 342.1	33.9%
0-60	8 998.4	70.3%
60-90	3 802.3	29.7%
70-100	1 340.5	10.5%
90-120	0	0%
0-90	12,800.7	100%
90-180	0	0%
0-180	12,800.7	100%

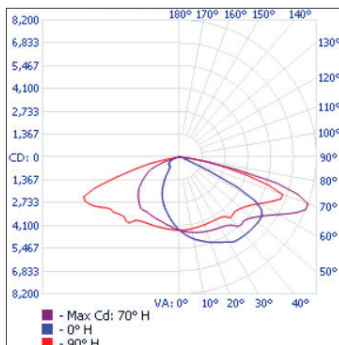
Illuminance at a distance

Center beam fc		Beam width	
17.0'	10.7 fc	29.9'	93.2'
34.0'	2.68 fc	59.8'	186.4'
51.0'	1.19 fc	89.7'	279.6'
68.0'	0.67 fc	119.6'	372.7'
85.0'	0.43 fc	149.6'	465.9'
102.0'	0.30 fc	179.5'	559.1'

■ Vert. spread: 82.7°
■ Horiz. spread: 139.9°

ALK-LS4C3-XX/40K • 115 W • 4 000 K • 18 120 lm

Polar candela distribution



Zonal lumen summary

Zone	Lumens	% Fixture
0-30	3 576.7	19.7%
0-40	6 168.8	34%
0-60	12 792.6	70.6%
60-90	5 327.6	29.4%
70-100	1 855.2	10.2%
90-120	0	0%
0-90	18 120.2	100%
90-180	0	0%
0-180	18 120.2	100%

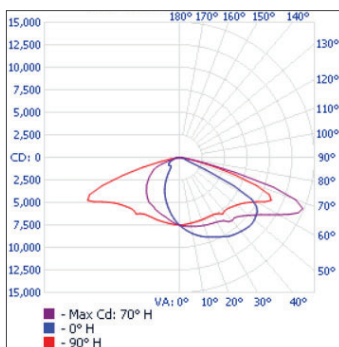
Illuminance at a distance

Center beam fc		Beam width	
17.0'	15.2 fc	29.8'	98.9'
34.0'	18.1 fc	59.6'	197.8'
51.0'	8.06 fc	89.5'	296.7'
68.0'	4.54 fc	119.3'	395.5'
85.0'	2.90 fc	149.1'	494.4'
102.0'	2.01 fc	178.9'	593.3'

■ Vert. spread: 82.5°
■ Horiz. spread: 178.9°

ALK-LS5C3-XX/40K • 180 W • 4 000 K • 30 017 lm

Polar candela distribution



Zonal lumen summary

Zone	Lumens	% Fixture
0-30	5 997.8	20%
0-40	10 254.4	34.2%
0-60	21 440.8	71.4%
60-90	8 576.6	28.6%
70-100	2 562.4	8.5%
90-120	0	0%
0-90	30 017.5	100%
90-180	0	0%
0-180	30 017.5	100%

Illuminance at a distance

Center beam fc		Beam width	
17.0'	26.0 fc	24.4'	88.4'
34.0'	6.49 fc	48.7'	176.8'
51.0'	2.89 fc	73.1'	265.3'
68.0'	1.62 fc	97.5'	353.7'
85.0'	1.04 fc	121.8'	442.1'
102.0'	0.72 fc	146.2'	530.5'

■ Vert. spread: 71.3°
■ Horiz. spread: 137.9°

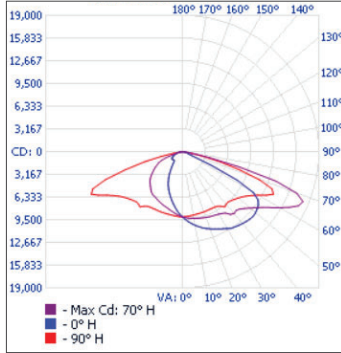
¹ Complete IES files available on our website.

Data is based upon tests performed in a controlled environment. Actual performance can vary depending on operating conditions. All products are subject to change or may be discontinued any time without notice.

PHOTOMETRIC DATA¹

ALK-LS6C3-XX/40K • 230 W • 4 000 K • 36 766 lm

Polar candela distribution



Zonal lumen summary

Zone	Lumens	% Fixture
0-30	7 272.7	19.8%
0-40	12 456.1	33.9%
0-60	26 129.6	71.1%
60-90	10 636.8	28.9%
70-100	3 221.1	8.8%
90-120	0	0%
0-90	36 766.4	100%
90-180	0	0%
0-180	36 766.4	100%

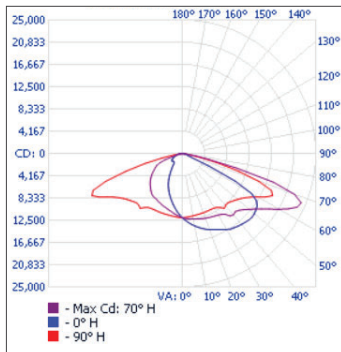
Illuminance at a distance

Center beam fc		Beam width	
17.0'	31.5 fc	24.4'	89.5'
34.0'	7.86 fc	48.8'	179.0'
51.0'	3.49 fc	73.2'	268.5'
68.0'	1.97 fc	97.6'	358.0'
85.0'	1.26 fc	122.0'	447.4'
102.0'	0.87 fc	146.4'	536.9'

■ Vert. spread: 71.3°
■ Horiz. spread: 138.4°

ALK-LS7C3-XX/40K • 300 W • 4 000 K • 48 768 lm

Polar candela distribution



Zonal lumen summary

Zone	Lumens	% Fixture
0-30	9 619.2	19.7%
0-40	16 498.4	33.8%
0-60	34 688.0	71.1%
60-90	14 080.0	28.9%
70-100	4 224.1	8.7%
90-120	0	0%
0-90	48 768.0	100%
90-180	0	0%
0-180	48 768.0	100%

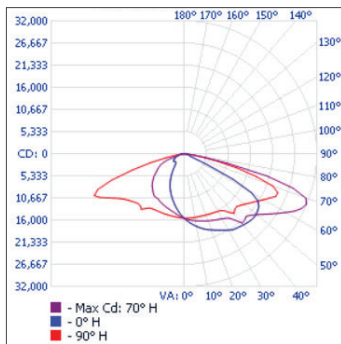
Illuminance at a distance

Center beam fc		Beam width	
17.0'	41.6 fc	24.7'	89.1'
34.0'	10.4 fc	49.5'	178.2'
51.0'	4.62 fc	74.2'	267.3'
68.0'	2.60 fc	99.0'	356.5'
85.0'	1.66 fc	123.7'	445.6'
102.0'	1.15 fc	148.4'	534.7'

■ Vert. spread: 72.1°
■ Horiz. spread: 138.2°

ALK-LS8C3-XX/40K • 420 W • 4 000 K • 65 003 lm

Polar candela distribution



Zonal lumen summary

Zone	Lumens	% Fixture
0-30	12 575.1	19.3%
0-40	21 697.6	33.4%
0-60	45 937.3	70.7%
60-90	19 066.1	29.3%
70-100	6 133.4	9.4%
90-120	0	0%
0-90	65 003.4	100%
90-180	0	0%
0-180	65 003.4	100%

Illuminance at a distance

Center beam fc		Beam width	
17.0'	53.7 fc	27.8'	92.7'
34.0'	13.4 fc	55.7'	185.3'
51.0'	5.96 fc	83.5'	278.0'
68.0'	3.36 fc	111.4'	370.7'
85.0'	2.15 fc	139.2'	463.4'
102.0'	1.49 fc	167.1'	556.0'

■ Vert. spread: 78.6°
■ Horiz. spread: 139.7°

¹ Complete IES files available on our website.

Data is based upon tests performed in a controlled environment. Actual performance can vary depending on operating conditions. All products are subject to change or may be discontinued any time without notice.

Series Spec Sheet

WFC

LED FULL CUTOFF WALL PACK

Selectable color temperature (3 000/4 000/5 000 K)

Power selectable

Integrated photocell

Multi-Voltage (120-347 V)

The WFC full cutoff series is built with a modern design which includes heat sinks in the front of the housing to allow for optimal performance. This luminaire has an integrated photocell and features the latest in LED technology by allowing the user to control the color temperature and power by using the internal field adjustable integrated switches. Typical applications include entrances or anywhere security lighting is required.

FEATURES AND SPECIFICATIONS

• Construction

Housing

- This luminaire is made of aluminum die cast and comes in a bronze powder coat finish
- The housing has 4 conduit entries of 1/2" on each side
- Each model has an integrated button type photocell that can be easily turned off

Lens

Each luminaire is outfitted with a clear polycarbonate lens and offered in a type III distribution pattern.

• Technical specifications

- 0-10 V dimming
- Colour temperature 3 000/4 000/5 000 K, default setting 4 000 K
- Estimated lifespan of 50 000 hours to L70
- Ambient temperature: -40°C to +50°C
- 4 kV surge protection

• Compliances

- Wet location
- IP65
- IK08
- Meets requirements of ICES-005 5 for class B products
- cULus
- RoHS



ICES 005



IK08



OVERVIEW

Light source	LED
Watts (W)	25/40/60 80/100
Lumen output (lm)	3 275 - 14 299
Efficacy (lm/W)	122 - 161
Color temperature (K)	3 000/4 000/5 000
CRI	80
Weight (lbs)	6.83 - 10.58

Not all products are qualified on the DLC QPL. To view our DLC qualified products, please consult the DLC Qualified Products List at www.designlights.org/search.

¹ Based on a maximum usage of 12 hours per day.

² When the luminaire is set at 3 000 K operation. Only model 68607 must be ordered for IDA certification compliance.

QUICK SHIP AND TECHNICAL SPECIFICATION TABLE ¹

Order code	Model number	DLC unique ID	Watts (W)	Volts (V)	Color temp. (K) ²	Lumen output (lm) ³	Efficacy (lm/W)	CRI	Life L70 (hrs) ⁴	Distrib. type	Finish	Dimming	Power factor	THD (%)	Traditional equivalent (W)		Case qty (master)
															HM	SHP	
68607	WFC-PS60A3-Q-3C-BR-P	PLDFY25QKWIN	25/40/60	120-347	3 000/4 000/5 000	3 625/5 640/8 220	122-137	80	50 000	III	Bronze	Yes	≥0.9	≤20	175-400	175-250	1
68608	WFC-PS100A3-Q-3C-BR-P	PLOCS09080TZ	80/100	120-347	3 000/4 000/5 000	11 520/14 000	123-140	80	50 000	III	Bronze	Yes	≥0.9	≤20	400-1 000	250-400	1

¹ **QUICK SHIP:** Product availability is subject to change without notice. Please contact your Stanpro customer service representative to confirm inventory levels at time of order.

² Typical color temperature range: +/- 5 %.

³ Lumen values are derived from photometric testing. Initial lumens range: +/- 10 %.

⁴ Lumen values are based on 4 000 K default settings. Please refer to Quick Ship Technical Specification Table for more details on other color temperatures.

⁵ Life hours are derived from IESNA LM-80-08 testing report and projected per IESNA TM-21-11 extrapolations.

ORDERING GUIDE

WFC	PS60A	3	Q	3C		P	/
Series	Lumen package (W)	Distribution type	Volts (V)	Color temp. (K)	Casting color	Mandatory option	Option
WFC	PS60A - 25/40/60 PS100A - 80/100	2 - Type II 3 - Type III 4 - Type IV	Q - 120-347	3C - 3 000/4 000/5 000	BR - Bronze (standard) BK - Black SP - Custom color	P - Button type photocell	OSI - Occupancy sensor KV - 10 kv surge protection

TECHNICAL SPECIFICATION TABLE

Lumen package	Distribution type	Watts (W)	3 000 K			4 000 K			5 000 K		
			Lumen output (lm)	Efficacy (lm/W)	LED current (mA)	Lumen output (lm)	Efficacy (lm/W)	LED current (mA)	Lumen output (lm)	Efficacy (lm/W)	LED current (mA)
PS60A	II	25	3 762	149	540 - 594	3 911	160	627 - 690	3 917	156	540 - 594
		40	5 699	144	876 - 964	6 001	158	627 - 690	5 874	149	876 - 964
		60	7 921	135	1 265 - 1 391	8 355	153	627 - 690	8 119	140	1 265 - 1 391
	III	25	3 275	131	540 - 594	3 625	145	627 - 690	3 500	140	540 - 594
		40	5 000	125	876 - 964	5 640	141	627 - 690	5 280	132	876 - 964
		60	7 290	122	1 265 - 1 391	8 220	137	627 - 690	7 860	131	1 265 - 1 391
	IV	25	3 631	144	540 - 594	3 783	154	627 - 690	3 816	150	540 - 594
		40	5 502	138	876 - 964	5 800	152	627 - 690	5 724	145	876 - 964
		60	7 414	129	1 265 - 1 391	7 999	147	627 - 690	7 801	135	1 265 - 1 391
PS100A	II	80	11 548	144	1 704 - 1 875	12 312	161	955 - 1 050	11 994	150	1 705 - 1 875
		100	13 251	139	2 088 - 2 297	14 299	158	955 - 1 050	13 737	144	2 088 - 2 297
	III	80	10 160	127	1 704 - 1 875	11 520	144	955 - 1 050	10 720	134	1 705 - 1 875
		100	12 300	123	2 088 - 2 297	14 000	140	955 - 1 050	13 300	133	2 088 - 2 297
	IV	80	10 974	136	1 704 - 1 875	11 810	154	955 - 1 050	11 488	144	1 705 - 1 875
		100	12 909	135	2 088 - 2 297	13 522	149	955 - 1 050	13 062	137	2 088 - 2 297

Default programming

68607: 60 W / 4 000 K

68608: 100 W / 4 000 K

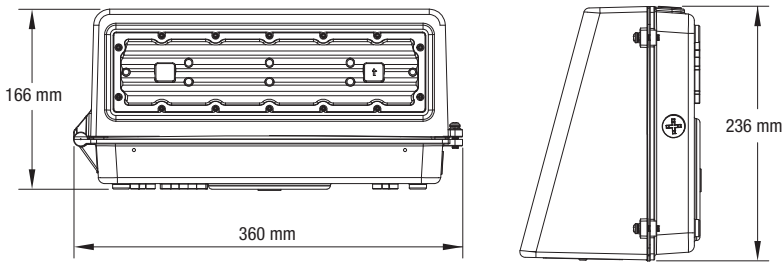
ACCESSORIES (order separately)

Order code	Description
68609	18" Bronze Metal Backplate
68919	Vandal Resistant Screws Kit

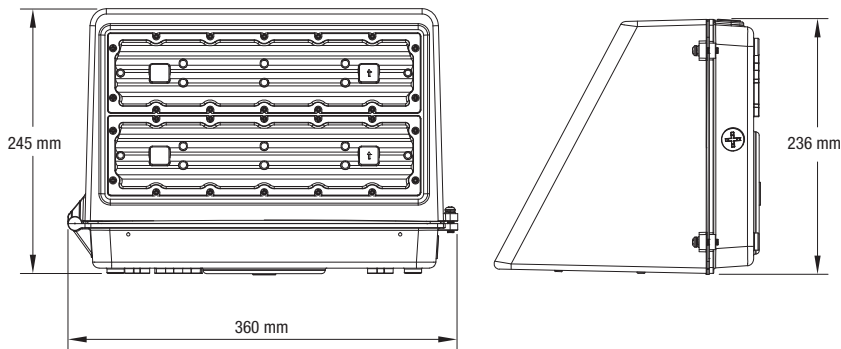
Data is based upon tests performed in a controlled environment. Actual performance can vary depending on operating conditions. All products are subject to change or may be discontinued any time without notice.

DIMENSIONS

68607

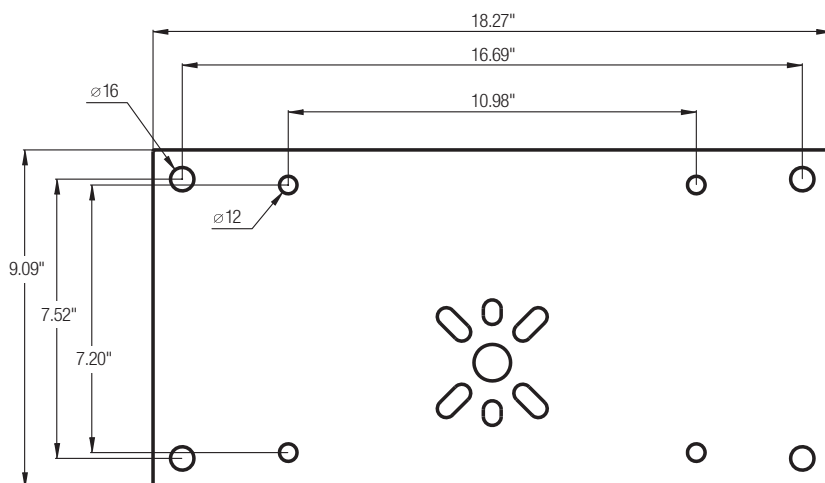


68608



BACKPLATE

68609

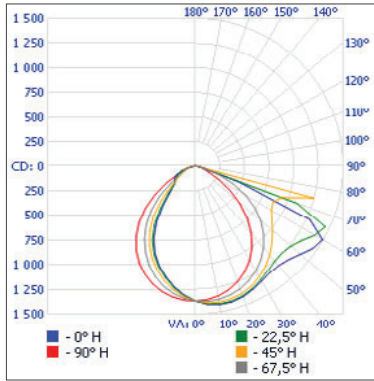


Data is based upon tests performed in a controlled environment. Actual performance can vary depending on operating conditions. All products are subject to change or may be discontinued any time without notice.

PHOTOMETRIC DATA¹

68607 • WFC-PS60A3-Q-3C-BR-P • 25W • 3 620.3 lm

Polar candela distribution



Zonal lumen summary

Zone	Lumens	% Fixture
0-30	1 041.1	28.8%
0-40	1 675.7	46.3%
0-60	2 885.0	79.7%
60-90	735.3	20.3%
70-100	228.2	6.3%
90-120	0	0%
0-90	3 620.3	100%
90-180	0	0%
0-180	3 620.3	100%

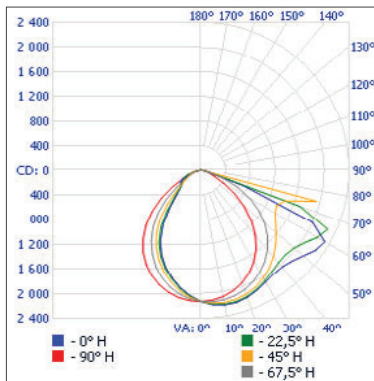
Illuminance at a distance

Center beam fc		Beam width	
7'	4.74	41.6'	40.9'
34'	1.18	83.2'	81.8'
51'	0.83	124.8'	122.7'
68'	0.30	166.4'	163.7'
85'	0.19	208.0'	204.6'
102'	0.13	249.6'	245.5'

Vert. spread: 101.5°
Horiz. spread: 100.5°

68607 • WFC-PS60A3-Q-3C-BR-P • 40 W • 5 632.6 lm

Polar candela distribution



Zonal lumen summary

Zone	Lumens	% Fixture
0-30	1 619.8	28.8%
0-40	2 607.2	46.3%
0-60	4 488.7	79.7%
60-90	1 144.0	20.3%
70-100	355.1	6.3%
90-120	0	0%
0-90	5 632.6	100%
90-180	0	0%
0-180	5 632.6	100%

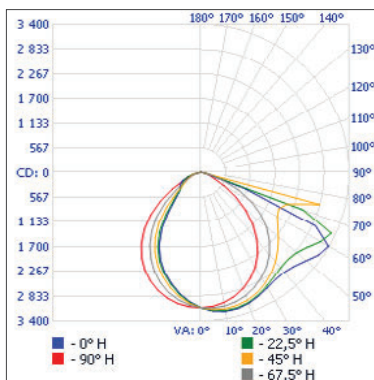
Illuminance at a distance

Center beam fc		Beam width	
17'	7.73	41.6'	40.9'
34'	1.84	83.2'	81.8'
51'	0.82	124.8'	122.7'
68'	0.46	166.4'	163.7'
85'	0.29	208.0'	204.6'
102'	0.20	249.6'	245.5'

Vert. spread: 101.5°
Horiz. spread: 100.5°

68607 • WFC-PS60A3-Q-3C-BR-P • 60 W • 8 209.2 lm

Polar candela distribution



Zonal lumen summary

Zone	Lumens	% Fixture
0-30	2 360.8	28.8%
0-40	3 799.9	46.3%
0-60	6 542.0	79.7%
60-90	1 667.3	20.3%
70-100	517.5	6.3%
90-120	0	0%
0-90	8 209.2	100%
90-180	0	0%
0-180	8 209.2	100%

Illuminance at a distance

Center beam fc		Beam width	
17'	10.7	41.6'	40.9'
34'	2.68	83.2'	81.8'
51'	1.19	124.8'	122.7'
68'	0.67	166.4'	163.7'
85'	0.43	208.0'	204.6'
102'	0.30	249.6'	245.5'

Vert. spread: 101.5°
Horiz. spread: 100.5°

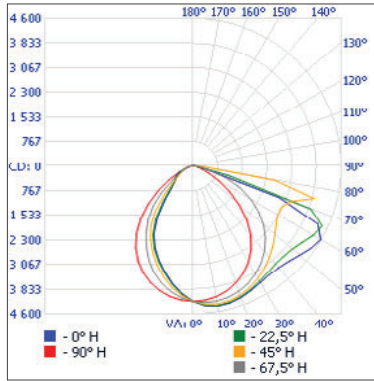
¹ Complete IES files available on our website.

Data is based upon tests performed in a controlled environment. Actual performance can vary depending on operating conditions. All products are subject to change or may be discontinued any time without notice.

PHOTOMETRIC DATA¹

68608 • WFC-PS100A3-Q-3C-BR-P • 80 W • 11 505.8 lm

Polar candela distribution



Zonal lumen summary

Zone	Lumens	% Fixture
0-30	3 162.6	27.5%
0-40	5 081.7	44.2%
0-60	8 754.6	76.1%
60-90	2 656.3	23.1%
70-100	1 066.8	9.3%
90-120	29.1	0.3%
0-90	11 410.9	99.2%
90-180	95.0	0.8%
0-180	11 505.8	100%

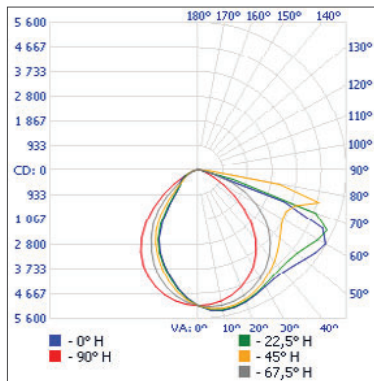
Illuminance at a distance

Center beam fc	Beam width	
	102.6°	103.3°
17'	14.6	42.4' 42.9'
34'	3.65	84.8' 85.9'
51'	1.62	127.2' 128.8'
68'	0.91	169.6' 171.7'
85'	0.58	212.0' 214.7'
102'	0.41	254.4' 257.6'

Vert. spread: 102.6°
Horiz. spread: 103.3°

68608 • WFC-PS100A3-Q-3C-BR-P • 100 W • 13 982.8 lm

Polar candela distribution



Zonal lumen summary

Zone	Lumens	% Fixture
0-30	3 843.4	27.5%
0-40	6 175.7	44.2%
0-60	10 639.3	76.1%
60-90	3 228.1	23.1%
70-100	1 296.4	9.3%
90-120	35.4	0.3%
0-90	13 867.4	99.2%
90-180	115.4	0.8%
0-180	13 982.8	100%

Illuminance at a distance

Center beam fc	Beam width	
	102.6°	103.3°
17'	7.73	41.6' 40.9'
34'	1.84	83.2' 81.8'
51'	0.82	124.8' 122.7'
68'	0.46	166.4' 163.7'
85'	0.29	208.0' 204.6'
102'	0.20	249.6' 245.5'

Vert. spread: 102.6°
Horiz. spread: 103.3°

¹ Complete IES files available on our website.

Data is based upon tests performed in a controlled environment. Actual performance can vary depending on operating conditions. All products are subject to change or may be discontinued any time without notice.