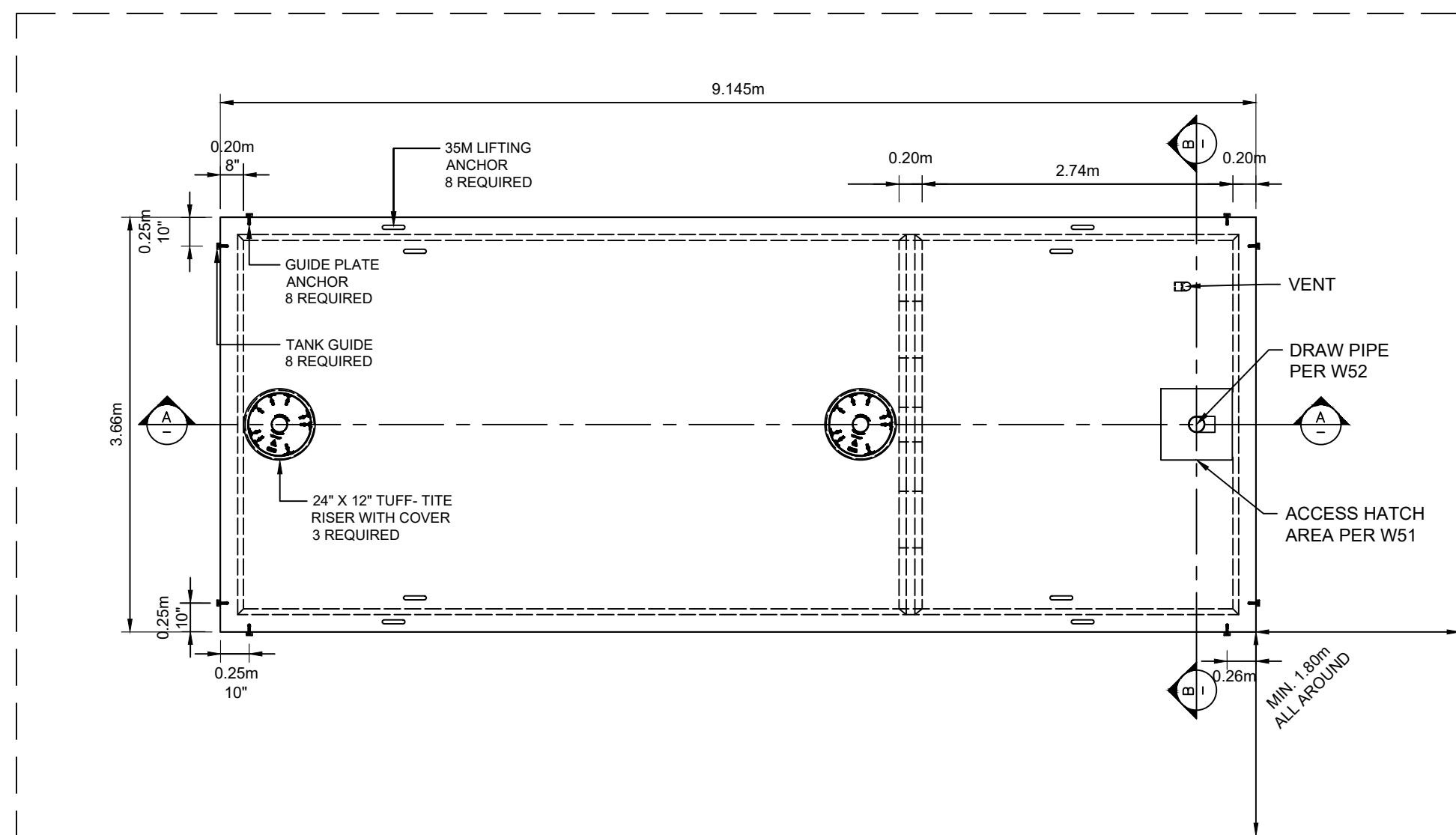


END TO END CONNECTION - 3 TANKS TOP VIEW

SCALE 1:50

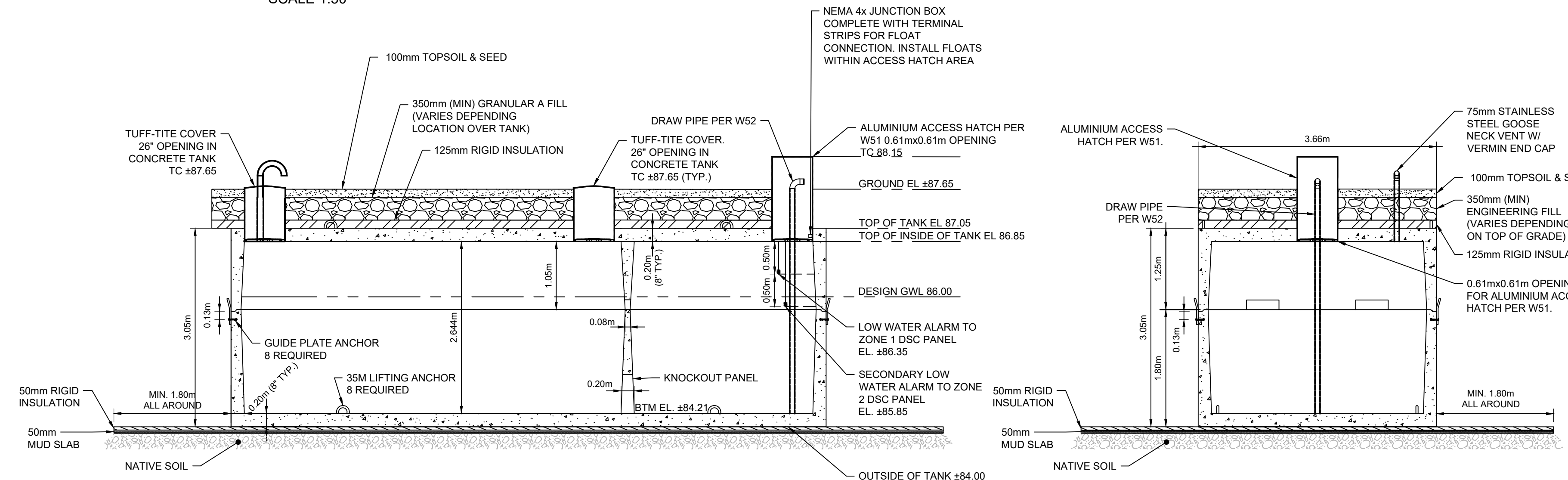
APPROVED
By Adam Brown at 3:08 pm, Jul 25, 2023

Adam Brown
ADAM BROWN
MANAGER, DEVELOPMENT REVIEW - RURAL
PLANNING, REAL ESTATE & ECONOMIC DEVELOPMENT
DEPARTMENT, CITY OF OTTAWA



TANK #1 - TOP VIEW

SCALE 1:50



TANK #1 - SECTION VIEW A-A

SCALE 1:50

TANK #1 - SECTION VIEW B-B

SCALE 1:50

No.	ISSUE / REVISION	DDMMYY
06	CITY OFS COMMENTS	08/06/23
05	RE-ISSUED FOR CITY SITE PLAN APPROVAL	11/05/23
04	CITY SITE PLAN APPROVAL	17/03/23
03	ISSUED FOR CITY SITE PLAN APPROVAL	21/12/22
02	RE-ISSUED FOR CITY SITE PLAN APPROVAL	12/09/22
01	ISSUED FOR CITY SITE PLAN APPROVAL	06/04/22
00	ISSUED FOR CLIENT REVIEW	04/04/22

THESE DRAWINGS HAVE BEEN PRODUCED BY J.L. RICHARDS & ASSOCIATES LIMITED AND ARE SUBJECT TO COPYRIGHT AND USE RESTRICTIONS SET OUT IN THE APPLICABLE PROJECT CONTRACT. ANY USE, REUSE, OR MODIFICATION OF THESE DRAWINGS FOR PURPOSES OTHER THAN THE ORIGINAL PROJECT OR EXECUTION OF THE DESCRIBED WORK IS NOT PERMITTED OR ENDORSED WITHOUT THE PRIOR WRITTEN AUTHORIZATION OF J.L.R. J.L.R. MAKES NO WARRANTIES, EITHER EXPRESS OR IMPLIED, OF THE SUITABILITY OR FITNESS OF THESE DRAWINGS FOR ANY OTHER PURPOSE, AND ANY PARTY WHICH CHOOSES TO USE, MODIFY, OR OTHERWISE RELY ON THESE DRAWINGS WITHOUT J.L.R.'S AUTHORIZATION ACCEPTS THESE LIMITATIONS AND DOES SO AT THEIR SOLE RISK AND WITHOUT LIABILITY TO J.L.R.

VERIFY SHEET SIZE AND SCALES. THE BAR TO THE RIGHT IS 25mm IF THIS IS A FULL SIZE DRAWING.

SCALE: 0 25mm



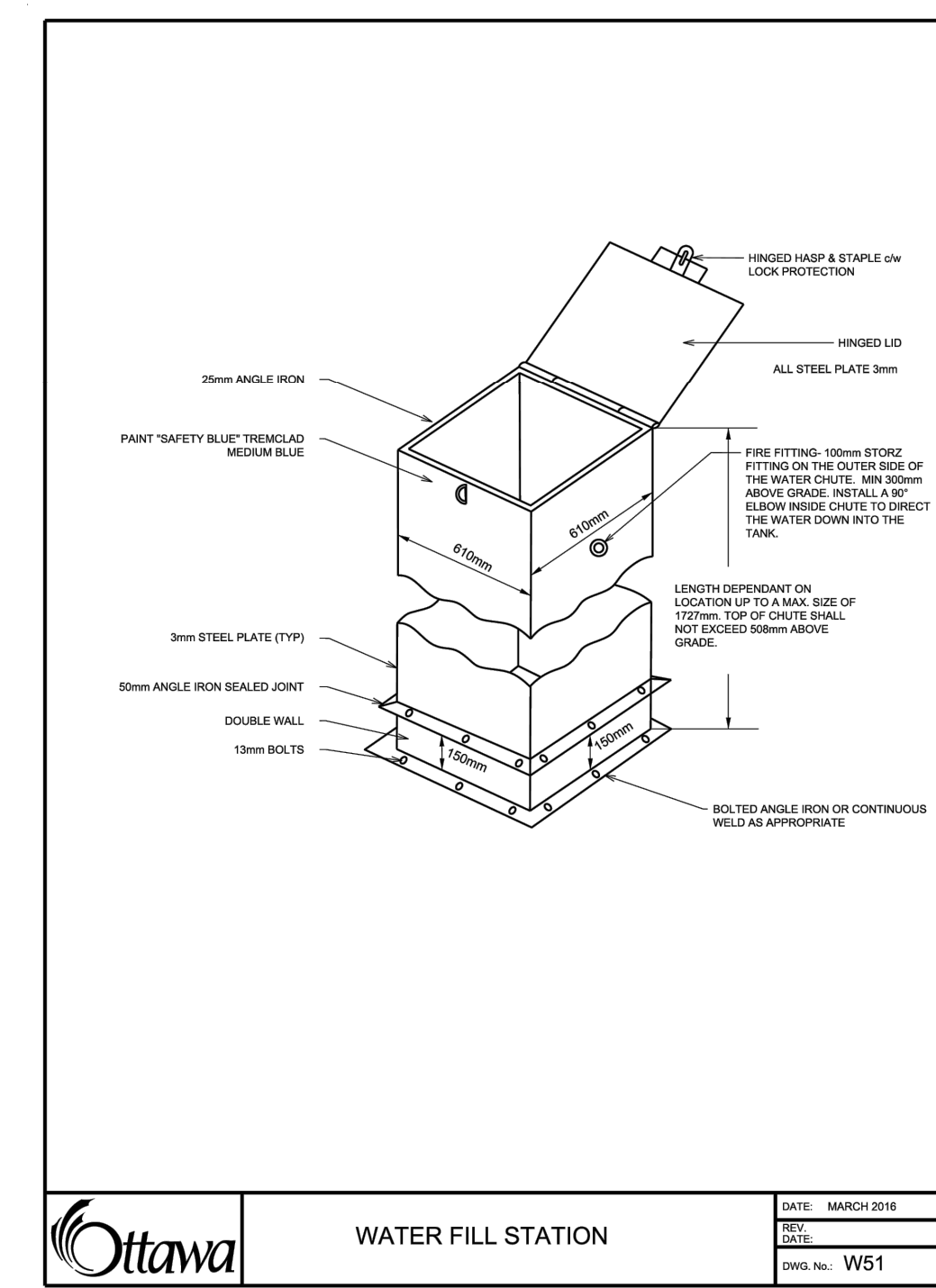
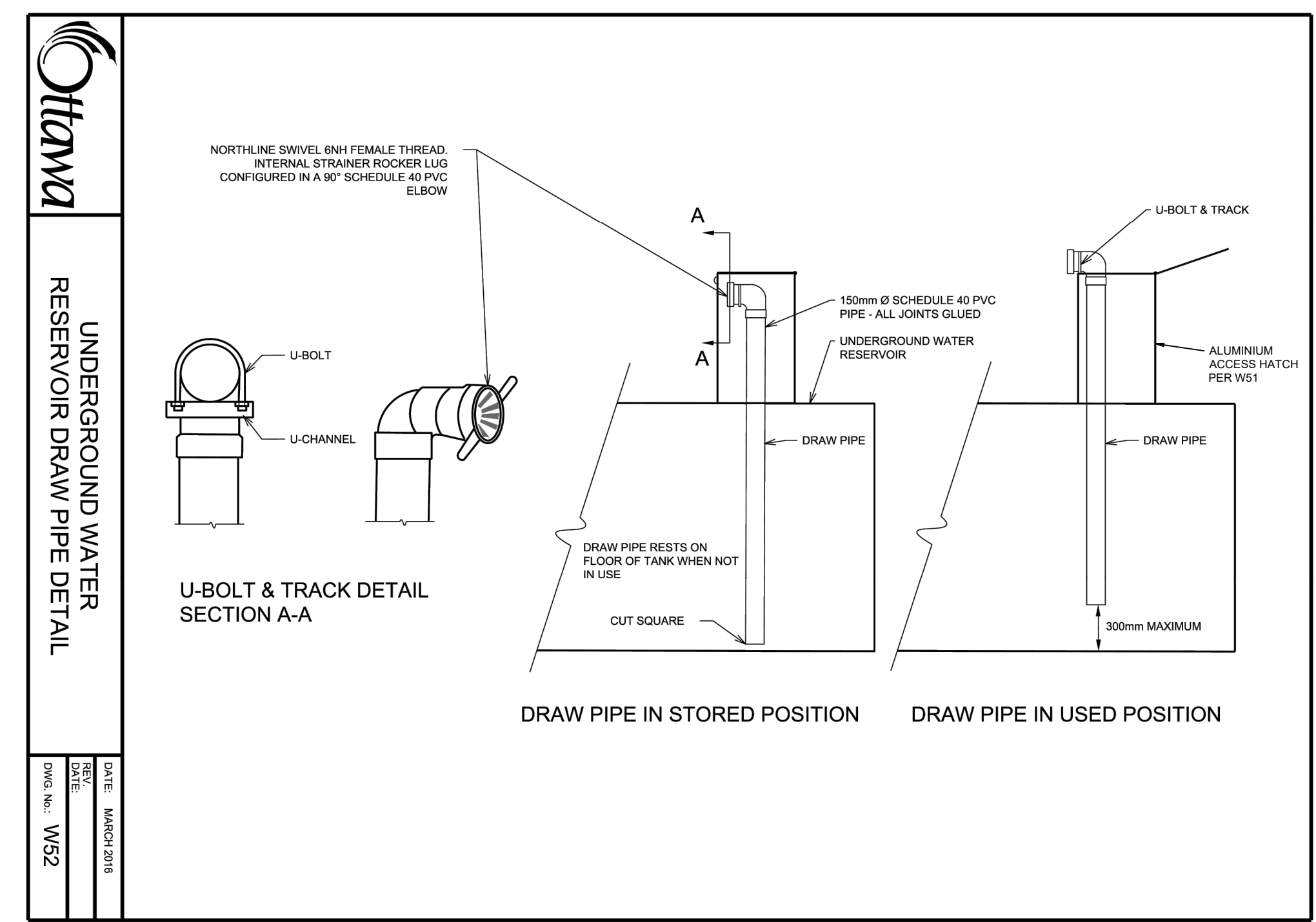
CONSULTANT:
JLR J.L. Richards
ENGINEERS - ARCHITECTS - PLANNERS

CONSULTANT:
PROJECT NORTH

PROFESSIONAL STAMP
PROJECT NORTH

PROJECT:
HYDRO ONE OPERATIONS CENTRE, ORLEANS
3440 FRANK KENNY ROAD

DRAWING:
TANK DETAILS
DESIGN: M.D.
DRAWN: G.C.
CHECKED: D.U.
JLR #: 31500-000
DRAWING #: **C-009**



GENERAL NOTES

- CONTRACTOR TO COORDINATE PRE-CAST WATER HOLDING TANKS 68500L MODEL OR EQUIVALENT SHOP DRAWINGS WITH THE MANUFACTURE.
- ELECTRICAL CONTRACTOR TO CARRY OUT FINAL COORDINATION FOR TIE IN POINTS FOR THE FLOATS PER THE SHOP DRAWINGS PROVIDED BY TANK MANUFACTURER.
- CONTRACTOR TO REFERENCE STRUCTURAL PLAN S150 FOR THE UNDER TANK BASE MATERIAL STRUCTURE DETAILS.
- ENSURE CLEAR, MONOMERIC SILANE SEALER (SIKAGARD® SN-100) COATING, TO PROTECT THE TANKS FROM SOIL CORROSION. TO BE APPLIED TO THE TANKS BY THE MANUFACTURE BEFORE DELIVERY TO SITE. ANY TOUCH-UP TO BE PROVIDED BY THE MANUFACTURE.
- CONTRACTOR TO ENSURE PIPE CONNECTION BETWEEN TANKS TO BE MINIMUM 600mm DISTANCE BETWEEN OUTER WALL OF TANKS AND PIPE TO BE MINIMUM 200mm SDR 35 PVC PIPE.
- PROPOSED PIPE FITTINGS TO BE DIXON NORTH LINE STORZ OR EQUIVALENT.
- UNITS ARE SEALED WITH BUTYL TAPE AT THE JOINTS.
- CONTRACTOR TO ENSURE CRANE IS ON-SITE TO OFFLOAD AND SET TANK.
- EXCAVATION MUST BE READY FOR INSTALL.
- MIN OVERHEAD CLEARANCE OF 5.5m IS REQUIRED.
- ALL UNITS MUST BE HANDLED WITH PROPER LIFTING EQUIPMENT.
- TANK DESIGNED FOR A MAXIMUM FILL COVER DEPTH OF 1000mm. MINIMUM ENGINEERING FILL DEPTH OF 350mm.
- TUFF-TITE SAFETY LIDS WITH LOCKING CLIP INSTALLED IN ALL OPENINGS AS PER CSA-B66-21.

ELECTRICAL NOTES

- DSC SECURITY PANEL**
- PROVIDE A DSC SERIES SECURITY PANEL INSTALLED IN IT ROOM. CONTRACTOR TO REVIEW AND COORDINATE WITH OWNER REQUIREMENTS. PROVIDE 120VAC POWER TO THE NEW DSC SERIES SECURITY PANEL FROM IT TOOM PANEL BOARD. PROVIDE COMMUNICATIONS CONNECTION TO THE DSC PANEL.
 - PROVIDE ALARM TIE FROM DSC MONITORING PANEL INTO THE BUILDING AUTOMATION SYSTEM AND SECURITY SYSTEM RACKS LOCATED IN THE IT ROOM. COMPLETE WITH CAT5E CABLING IN CONDUIT.
 - CONTRACTOR TO COORDINATE ALL WORKS WITH HONI AND TO REVIEW THE SITE TO UNDERSTAND THE HONI'S REQUIREMENTS.

LOW LEVEL FLOATS

- PROVIDE TWO (2) ITT FLYGT - ENM - 10 FLOATS FOR TANK RESERVOIR (MAIN TANK WITH ACCESS HATCH). FLOATS TO BE COMPLETE WITH STAINLESS STEEL SWAY RINGS AND STAINLESS-STEEL HOOKS FOR CABLE SLACK. PROVIDE 1.0m OF FLOAT CABLE SLACK; WRAP SLACK CABLE AROUND STAINLESS-STEEL HOOKS NEAR JUNCTION BOX. FLOATS AND SLACK CABLE TO BE ACCESSIBLE FROM THE LADDER. REFER TO TANK DETAILS FOR FLOAT ELEVATIONS.

JUNCTION BOX

- PROVIDE A NEMA 4X PVC JUNCTION BOX EQUIPPED WITH BACK PANEL AND TERMINAL BLOCKS FOR THE FIELD AND FLOAT WIRE TERMINATION.
- MOUNT JUNCTION BOX JUST BELOW THE OPEN HATCH AREA BUT ABOVE THE MAXIMUM WATER LEVEL.

CONDUITS AND WIRING

- PROVIDE ONE (1) 53mm PVC CONDUIT COMPLETE WITH 2-PAIR 18AWG RWU 90 WIRING FROM THE IT ROOM TO EACH WATER RESERVOIR. PROVIDE SUFFICIENT NUMBER OF CONDUCTORS TO SUIT PLUS 25% SPARE.

File Location: P:\131000031500-000 - HONI Orleans OPC\3-Production1-Civil\31500-000.C DETAILS.dwg

CITY PLAN No. 18971 CITY FILE No. D07-12-22-0057

Ottawa
RESERVOIR DRAW PIPE DETAIL

DATE: MARCH 2018
DRAWN: W52

Ottawa
WATER FILL STATION
DATE: MARCH 2018
DRAWN: W51

PLOT DATE: July 20, 2023 1:59:50 PM