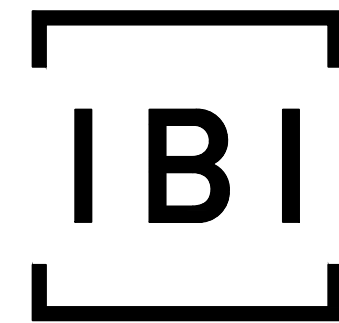
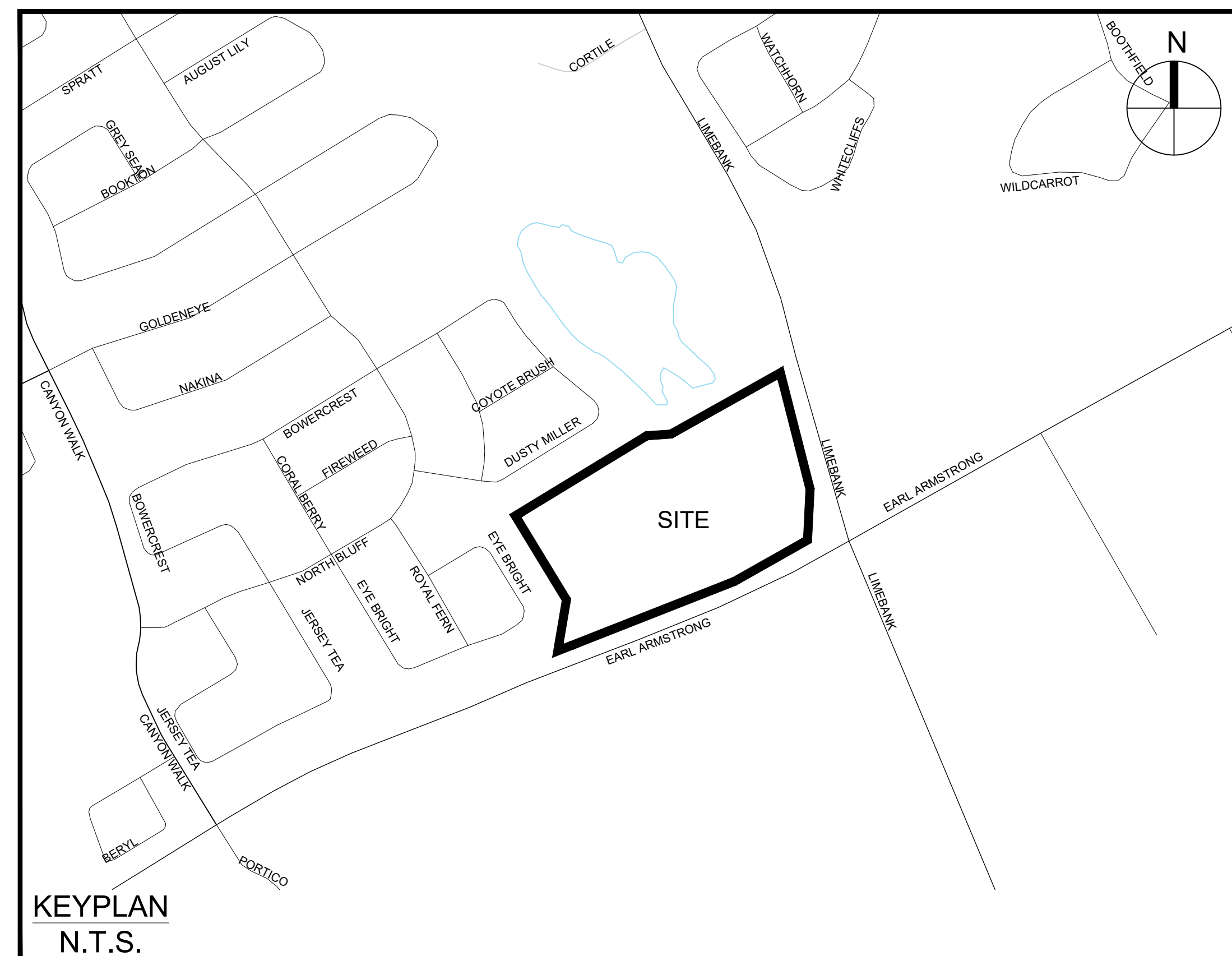


1515 EARL ARMSTRONG PLAZA



IBI GROUP
500 – 333 Preston Street
Ottawa ON K1S 5N4 Canada
tel 613 225 1311 fax 613 225 9868
ibigroup.com

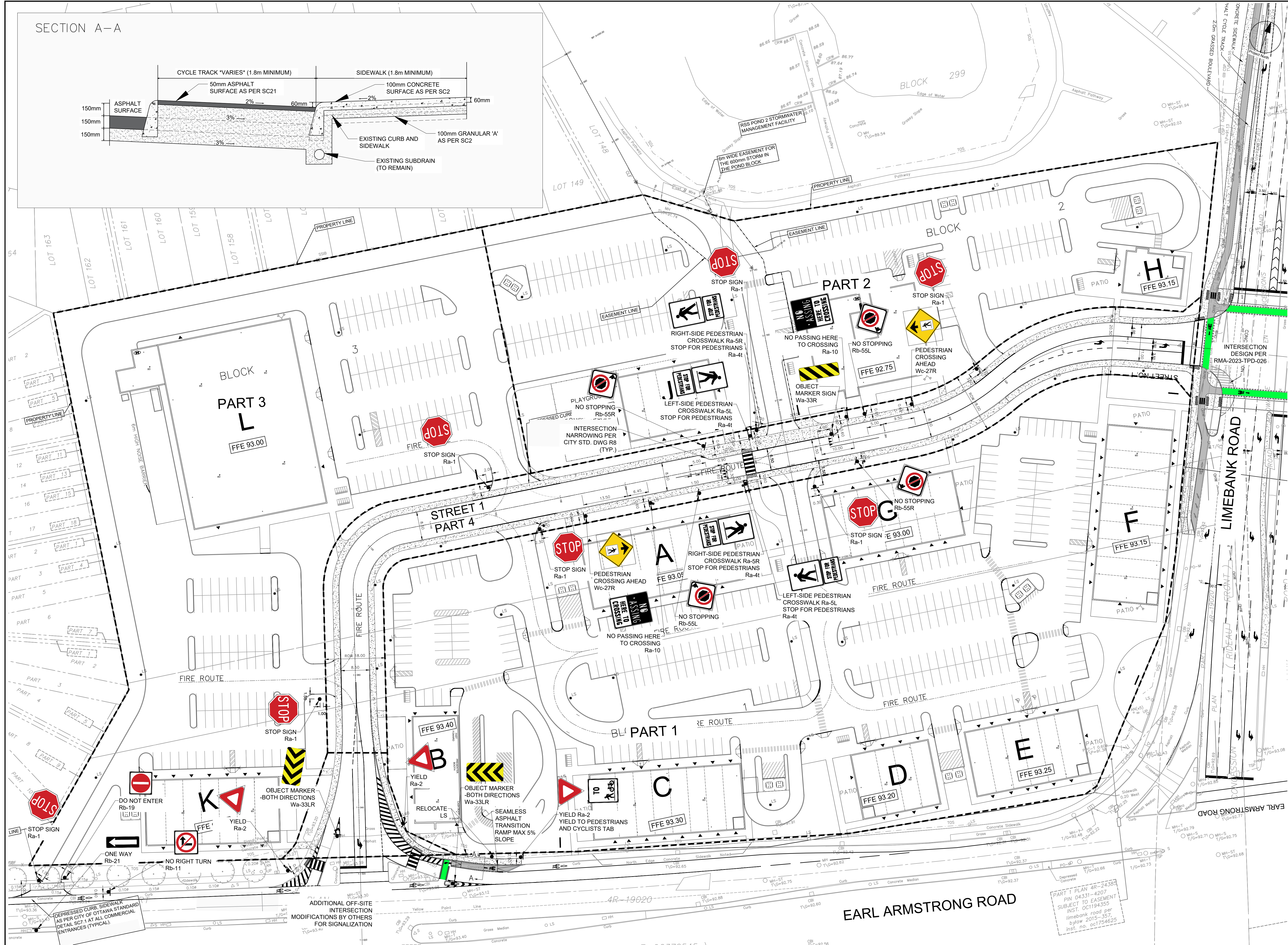
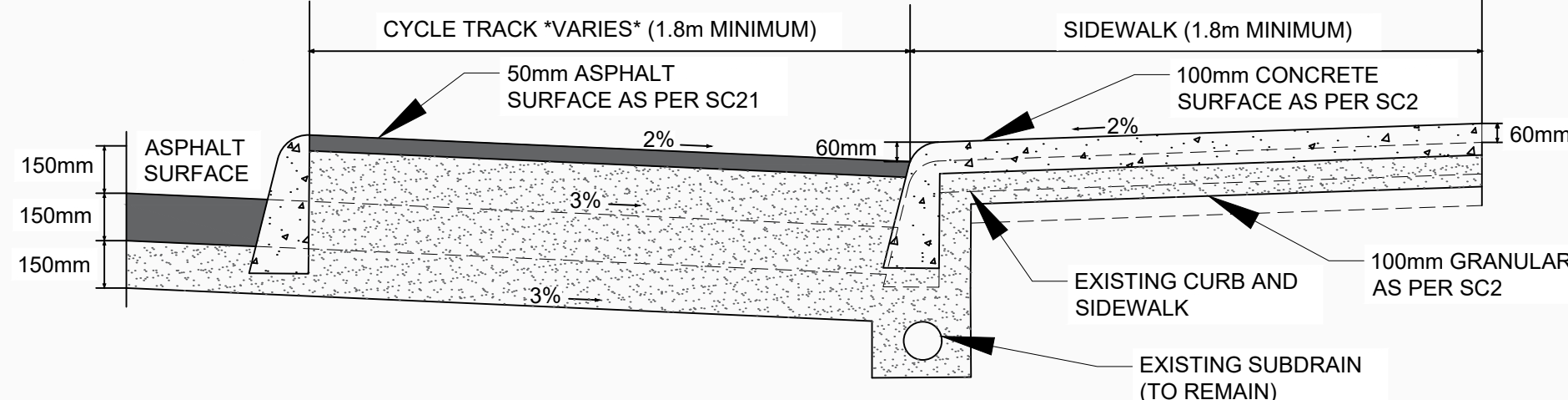


Drawing List Table		
Drawing Number	Drawing Title	Drawing Description
020	GEOMETRIC ROADWAY DESIGN DRAWING	



CONTRACT NO. 137404

SECTION A-A



CLIENT

COPYRIGHT
 This drawing has been prepared solely for the intended use, and any reproduction or distribution for any purpose other than authorized by IBI Group is forbidden. Written dimensions shall have precedence over scaled dimensions. Contractors shall verify and be responsible for all dimensions and conditions on the job, and IBI Group shall be informed of any variations from the dimensions and conditions shown on the drawing. Shop drawings shall be submitted to IBI Group for general confirmation before proceeding with fabrication.

IBI Group Professional Services (Canada) Inc.
 is a member of the IBI Group of companies.

ISSUES

No.	DESCRIPTION	DATE
SUBMISSION No.1 FOR CITY REVIEW	D.H.	2022:12:14
SUBMISSION No.2 FOR CITY REVIEW	D.H.	2023:04:26
SUBMISSION No.3 FOR CITY REVIEW	D.H.	2023:06:07
SUBMISSION No.4 FOR CITY REVIEW	D.H.	2023:06:29

KEY PLAN

- CONSULTANTS**
- DEPRESSED CURB
 - TWSI (PER SC7.3)
 - CATCH BASIN
 - REAR YARD CATCH BASIN IN ROAD
 - FIRE TRANSFORMER
 - FIRE HYDRANT
 - MOUNTABLE CURB
 - BARRIER CURB
 - Phasing Boundary

SEAL

IBI GROUP
 Suite 500 - 333 Preston Street
 Ottawa ON K1S 5N4 Canada
 Tel: 613 225 1311 / 613 241 3300 Fax: 613 225 9868
 ibigroup.com

PROJECT
 1515 EARL ARMSTRONG PLAZA

PROJECT NO:
 137404

DRAWN BY:
 IL

CHECKED BY:
 DH

PROJECT MGR:
 SEL

APPROVED BY:
 DH

SHEET TITLE
 GEOMETRIC ROADWAY DESIGN DRAWING

SHEET NUMBER
 020

ISSUE
 1

File Location: \\137404_Earl_Armstrong_03_Design\03_TrafficContent\020 GR0D - 2023-03-15.dwg
 Project: Tuesday, July 04, 2023 15:02:00 by Isabel Lowman
 Last Saved: July 4, 2023, by Isabel Lowman
 Scale: 1:1000