

Copyright Reserved

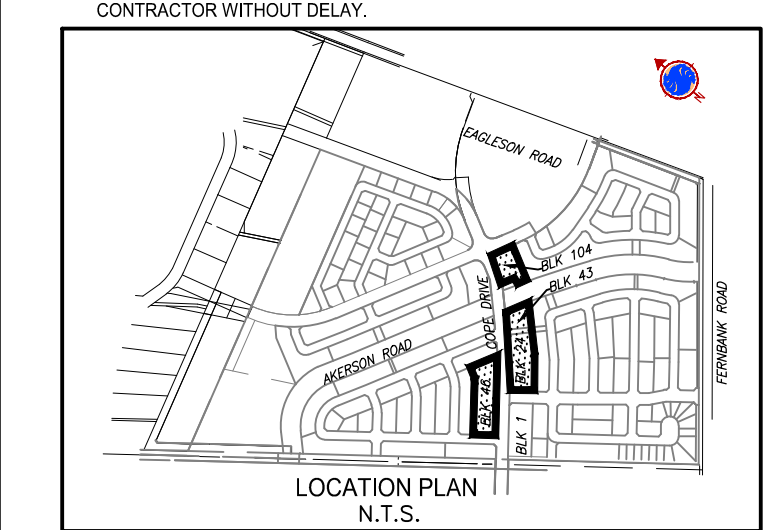
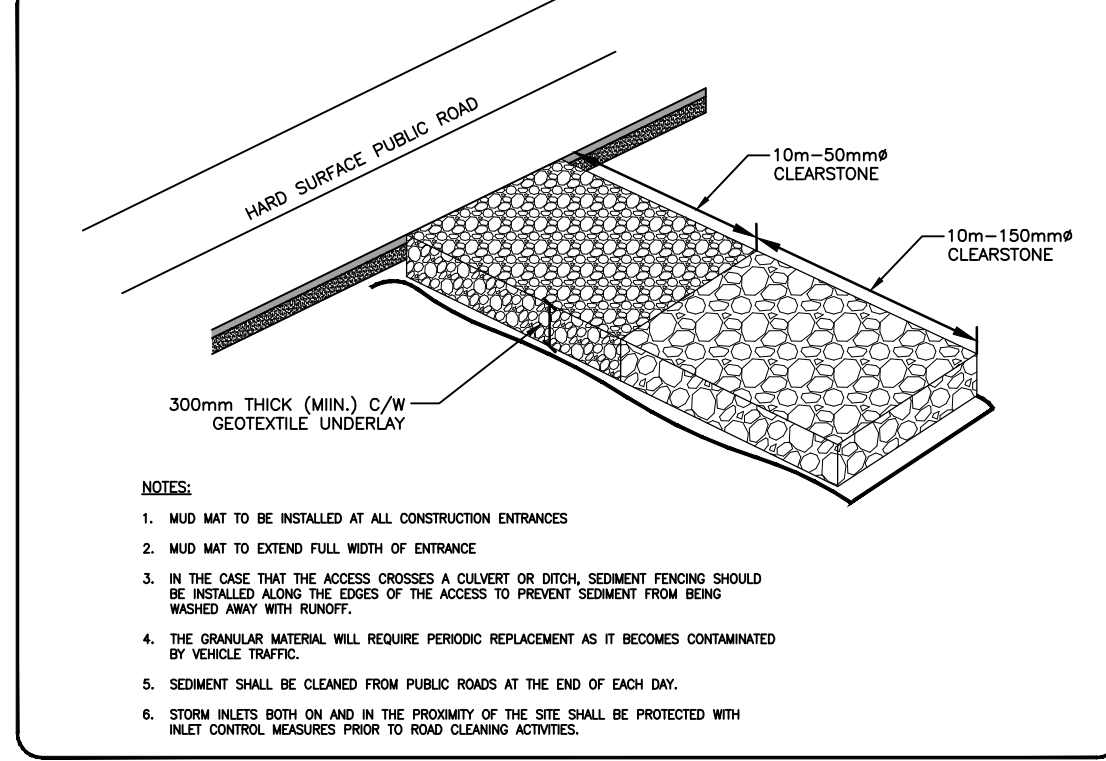
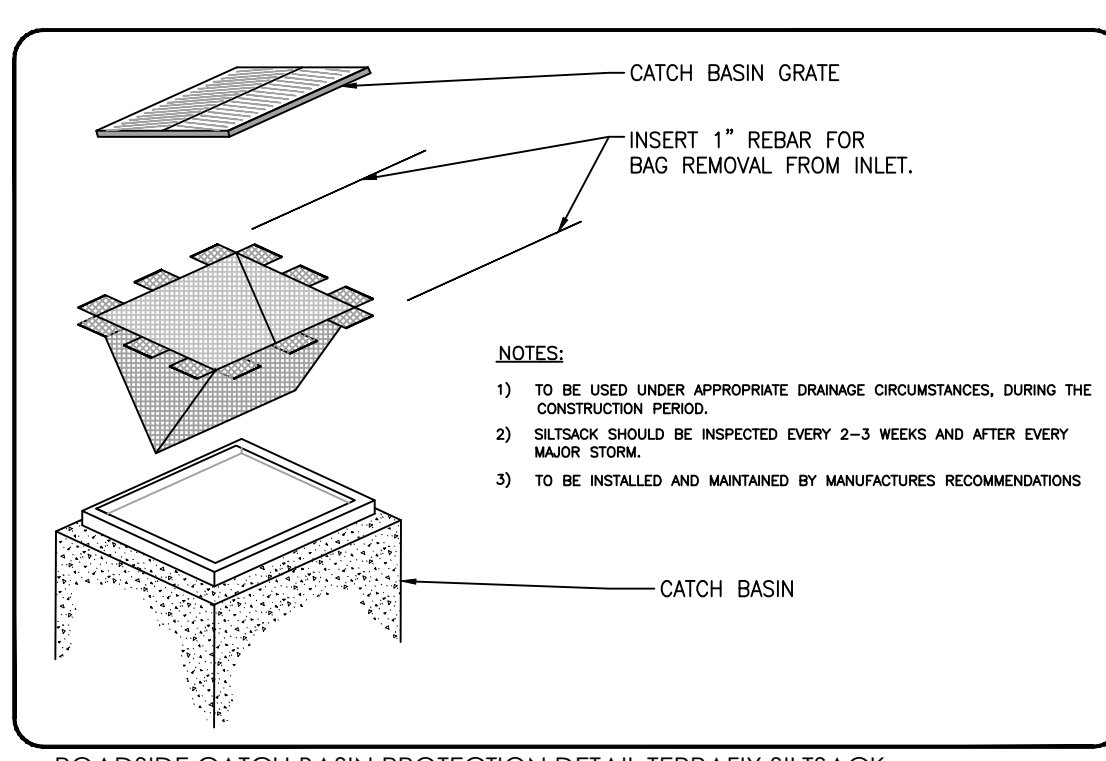
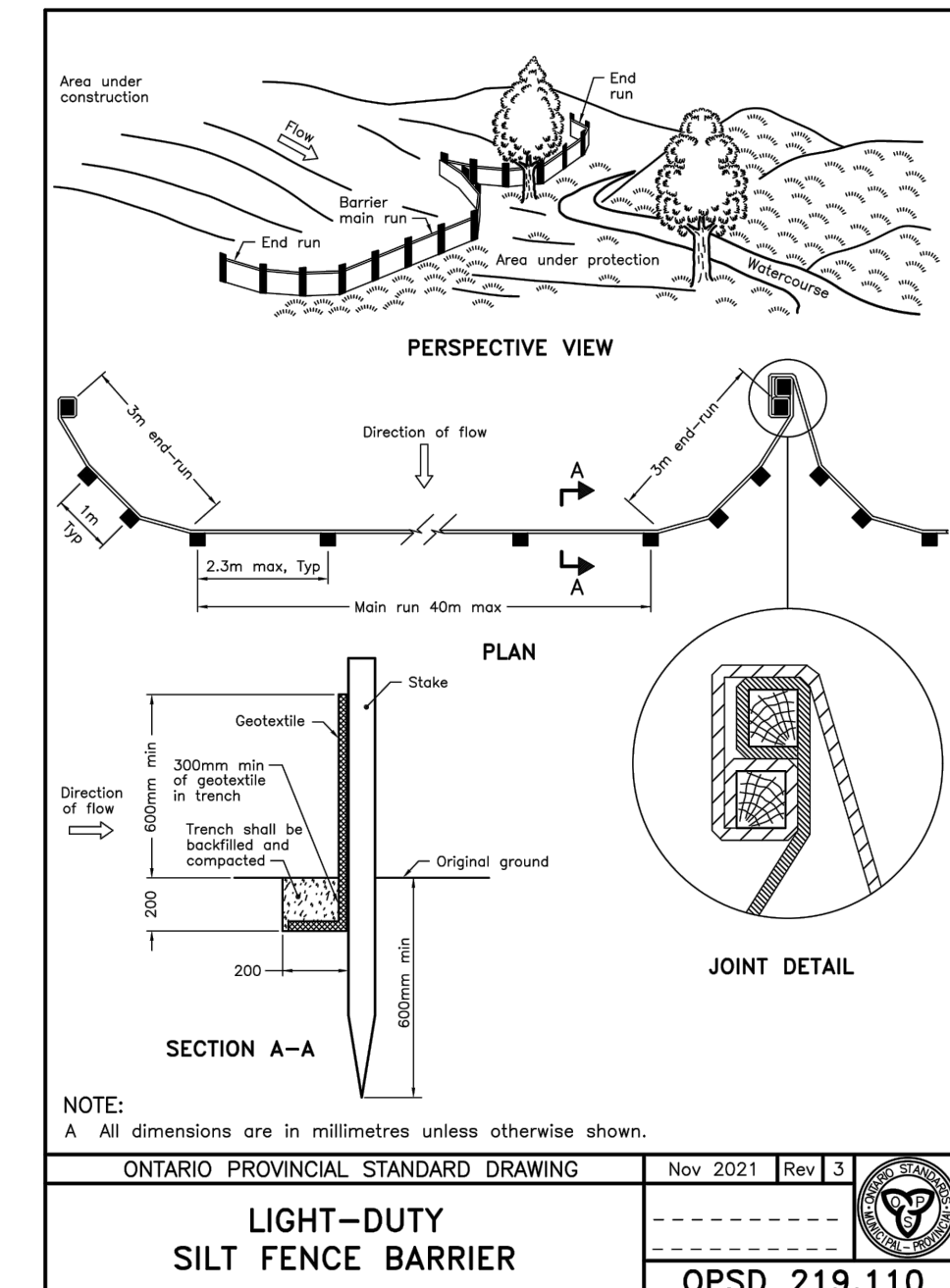
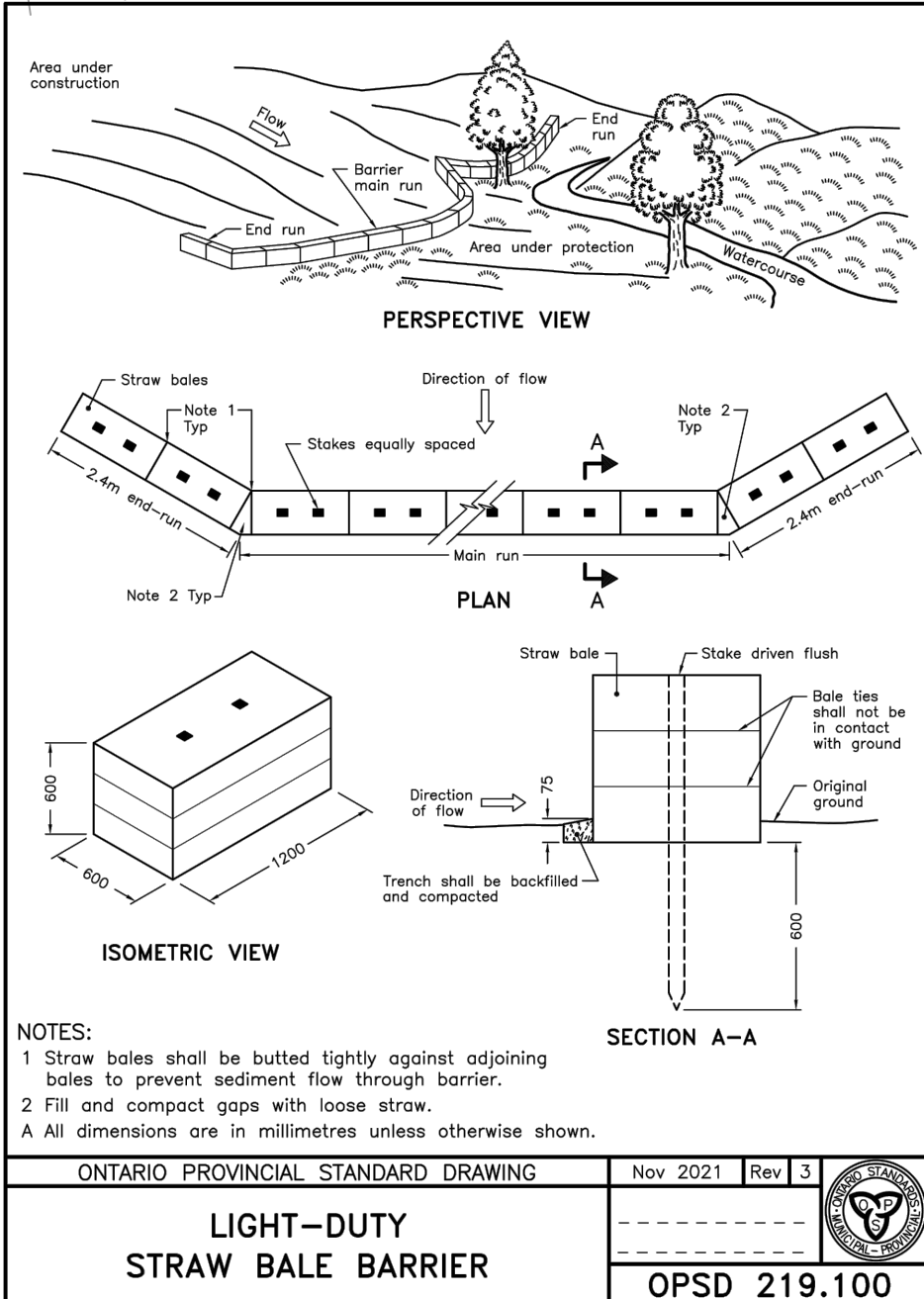
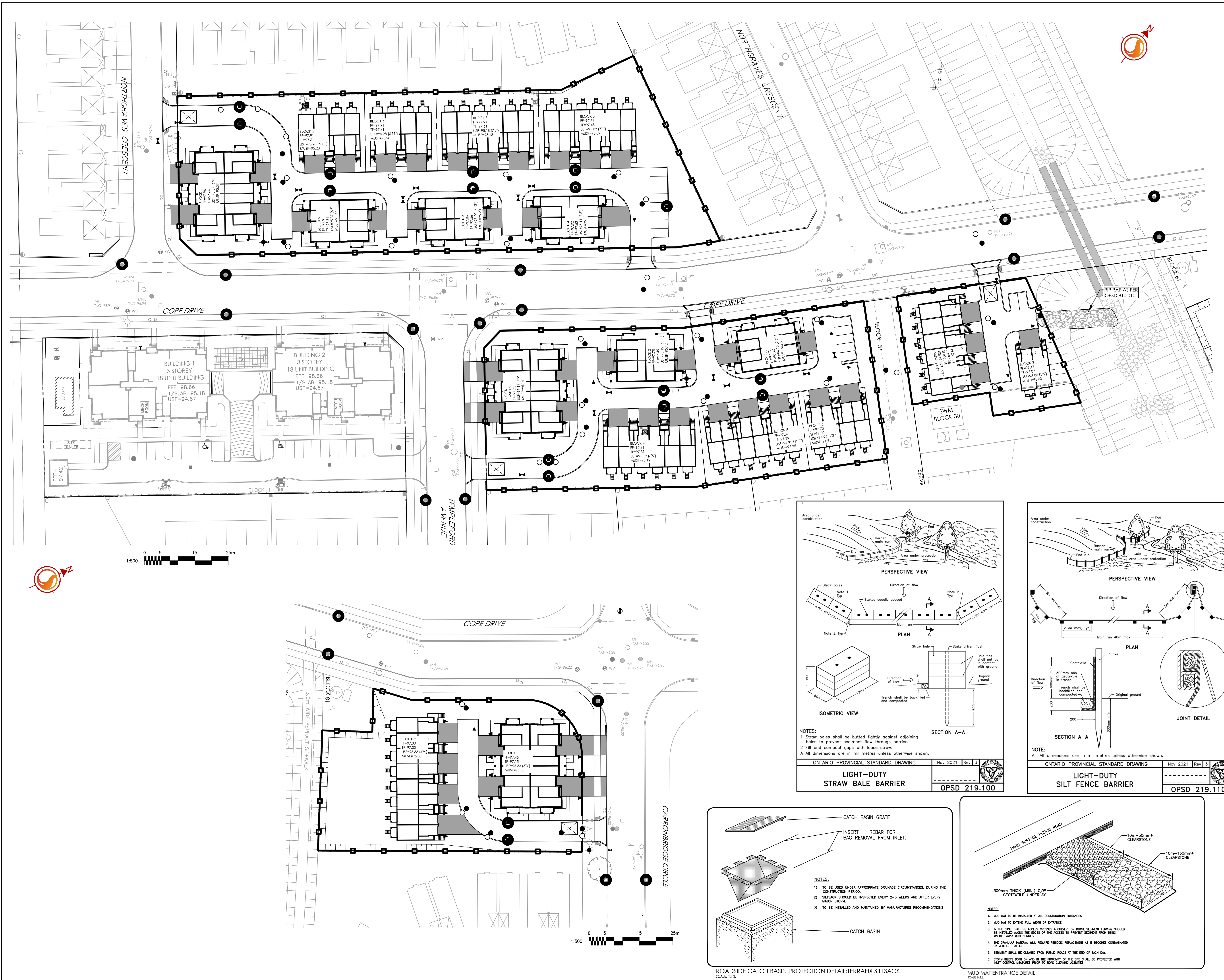
The Contractor shall verify and be responsible for all dimensions. DO NOT scale the drawing - any errors or omissions shall be reported to Stantec without delay.
The Copyrights to all designs and drawings are the property of Stantec. Reproduction or use for any purpose other than that authorized by Stantec is forbidden.

Legend

- PROPOSED SILT FENCE BOUNDARY AS PER OPSD 219.110
- PROPOSED STRAW BALE LOCATION AS PER OPSD 219.100
- PROPOSED MUD MAT LOCATION
- PROPOSED CATCHBASIN PROTECTION AS PER TERRAFIX SILTSACK DETAIL

Notes

- Best Management Practices**
CONTRACTOR TO PROVIDE EROSION AND SEDIMENT CONTROLS (BEST MANAGEMENT PRACTICES) DURING CONSTRUCTION OF THIS PROJECT.
- EROSION MUST BE MINIMIZED AND SEDIMENTS MUST BE REMOVED FROM CONSTRUCTION SITE RUN-OFF IN ORDER TO PROTECT DOWNSTREAM AREAS. DURING ALL CONSTRUCTION, EROSION AND SEDIMENTATION SHOULD BE CONTROLLED BY THE FOLLOWING TECHNIQUES:
- LIMIT THE EXTENT OF EXPOSED SOILS AT ANY GIVEN TIME.
 - REVEGETATE EXPOSED AREAS AND SLOPES AS SOON AS POSSIBLE.
 - MINIMIZE AREA TO BE CLEARED AND GRUBBED.
 - PROTECT EXPOSED SLOPES WITH PLASTIC OR SYNTHETIC MULCHES.
 - INSTALL FILTER CLOTH BETWEEN FRAME AND COVER ON ALL PROPOSED CATCH BASINS AND CATCH BASIN MANHOLES AND ON ALL EXISTING CATCH BASINS THAT WILL RECEIVE RUNOFF FROM THE SITE.
 - A SILT FENCE SHALL BE INSTALLED AROUND THE PERIMETER OF ALL AND ANY STOCKPILES OF MATERIAL TO BE USED OR REMOVED FROM SITE. LOCATION TO BE DETERMINED.
 - A VISUAL INSPECTION SHALL BE DONE DAILY ON SEDIMENT CONTROL MEASURES AND CLEANED OF ANY ACCUMULATED SILT AS REQUIRED. THE DEPOSITS WILL BE EXPOSED OFF SITE AS PER THE REQUIREMENTS OF THE CONTRACT.
 - SEDIMENT CONTROL BARRIERS MAY ONLY BE REMOVED TEMPORARILY WITH APPROVAL OF CONTRACT ADMINISTRATOR TO ACCOMMODATE CONSTRUCTION OPERATIONS. ALL AFFECTED BARRIERS MUST BE REINSTATED AT NIGHT WHEN CONSTRUCTION IS COMPLETED. NO REMOVAL WILL OCCUR IF THERE IS A SIGNIFICANT RAINFALL EVENT ANTICIPATED (>10mm) UNLESS A NEW DEVICE HAS BEEN INSTALLED TO PROTECT THE EXISTING STORM AND SANITARY SEWER SYSTEMS.
 - NO REFUELING OR CLEANING OF EQUIPMENT IS PERMITTED NEAR ANY EXISTING WATERWAY.
 - CONTRACTOR SHALL REMOVE SEDIMENT CONTROL MEASURES WHEN, IN THE OPINION OF THE CONTRACT ADMINISTRATOR, THE MEASURE(S) IS NO LONGER REQUIRED. NO CONTROL MEASURES SHALL BE PERMANENTLY REMOVED WITHOUT PRIOR WRITTEN AUTHORIZATION FROM THE CONTRACT ADMINISTRATOR.
 - THE CONTRACTOR SHALL PERIODICALLY, OR WHEN REQUESTED BY THE CONTRACT ADMINISTRATOR, CLEAN OUT ACCUMULATED SEDIMENTS AS REQUIRED.
 - THE CONTRACTOR SHALL IMMEDIATELY REPORT TO THE ENGINEER ANY ACCIDENTAL DISCHARGES OF SEDIMENT MATERIAL INTO THE WATERCOURSE. APPROPRIATE RESPONSE MEASURES, INCLUDING ANY REPAIRS TO EXISTING CONTROL MEASURES OR THE IMPLEMENTATION OF ADDITIONAL CONTROL MEASURES, SHALL BE CARRIED OUT BY THE CONTRACTOR WITHOUT DELAY.



ISSUED FOR REVIEW	WAJ	KJK	23.06.19
Revision	By	Appd.	YY.MM.DD
File Name: 160401718-08	WAJ	KJK	WAJ
	Dwn.	Chkd.	Dgn.
			YY.MM.DD

Permit-Seal



Client/Project
CAVANAGH CONSTRUCTION LTD.

Trails West

Ottawa ON Canada

Title
**COPE DRIVE UNITS
EROSION CONTROL PLAN**

Project No.	Scale
160401718	AS NOTED
Drawing No.	Sheet
EC-1	3 of 6

D07-12-15-0163