

NOTES:  
 1. REFER TO TCR DRAWING FOR ALL TREE PROTECTION FENCING.  
 OWNER:  
 2767405 ONTARIO INC.  
 109 ATLANTIC AVE. SUITE 302 B,  
 TORONTO ON, M6K 1X4

- LEGEND:
- CRITICAL ROOT ZONE (CRZ)
  - EXISTING TREE
  - TREE TO BE REMOVED
  - PROPOSED DECIDUOUS TREE
  - PROPOSED CONIFEROUS TREE
  - TREE PROTECTION
  - SHRUB AND PERENNIAL PLANTING
  - SOD
  - UNIT PAVING
  - BICYCLE PARKING

No.	Revision	Date
9.	RE-ISSUED FOR SPA	26 APR, 2023
8.	RE-ISSUED FOR SPA	14 MAR, 2023
7.	RE-ISSUED FOR SPA	10 JAN, 2023
6.	RE-ISSUED FOR SPA	29 NOV, 2022
5.	ISSUED FOR SPA	14 JUN, 2022
4.	REISSUED FOR RE-ZONING	07 DEC, 2021
3.	ISSUED FOR RE-ZONING	15 JUL, 2021
2.	ISSUED FOR REVIEW/COORDINATION	06 JUL, 2021
1.	ISSUED FOR REVIEW/COORDINATION	24 JUN, 2021

North:

Stamp:

**CSW** Landscape Architecture  
 Urban Design  
 Site Planning  
 Recreation and Park Planning  
 Project Management

319 McRae Avenue, Suite 502, Ottawa, Ontario K1Z 0B9  
 Tel: (613) 729-4536 Fax: (613) 736-9161

- All measurements in millimeters unless specified otherwise. Do not scale drawing. All drawings to be read in conjunction with written specifications.
- Copyright reserved. This drawing is the exclusive property of CSW Landscape Architects Ltd. and shall not be used without the consent thereof.
- This Drawing may not be used for construction until signed by the landscape architect. It is the responsibility of the contractor to:
  - check and verify all dimensions on site;
  - report all errors and/or omissions to the landscape architect;
  - comply with all pertinent codes and by-laws;
  - check and verify locations of all underground services with all local utilities prior to any digging.

Project:  
**50 THE DRIVEWAY**

50 THE DRIVEWAY  
 OTTAWA, ONTARIO

Drawing:  
**LANDSCAPE PLAN**

Scale:	1:150	Date:	15 JUNE, 2021
Design By:	LM	Drawn By:	SW/LM
Project Number:	2096-01	Sheet Number:	L 1.0

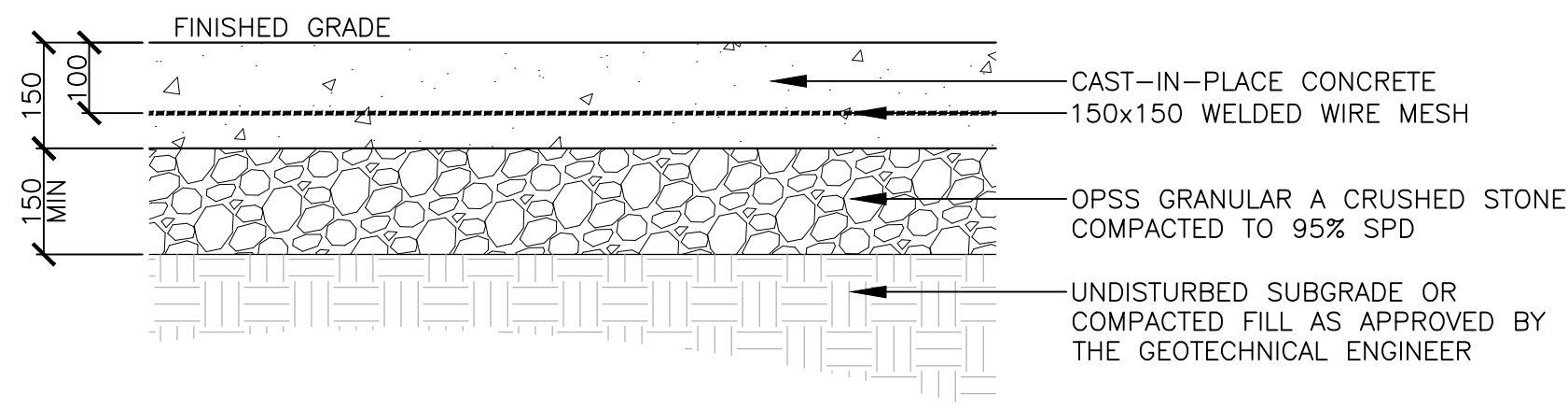
KEY	BOTANICAL NAME	COMMON NAME	QTY	SIZE	REMARKS
<b>DECIDUOUS TREES</b>					
AC	AMELANCHIER CANADENSIS	SERVICEBERRY		TREEFORM 40MM	W.B
AB	ACER x FREEMANI 'AUTUMN BLAZE'	AUTUMN BLAZE MAPLE		50mm CAL.	B&B/W.B
AF	ACER x FREEMANI 'AUTUMN FANTASY'	AUTUMN FANTASY MAPLE		50mm CAL.	B&B/W.B
AS	ACER RUBRUM 'SCARLET SENTINEL'	SCARLET SENTINEL MAPLE		50mm CAL.	B&B/W.B
GSU	GLEDITSIA TRIACANTHOS VAR. INERMIS 'SUNBURST'	SUNBURST HONEYLOCUST		50mm CAL.	B&B/W.B
TR	TILIA AMERICANA 'REDWOOD'	REDWOOD BASSWOOD		50mm CAL.	B&B/W.B
UP	ULMUS AMERICANA 'PRINCETON'	PRINCETON ELM		50mm CAL.	B&B/W.B
<b>SHRUBS</b>					
JH	JUNIPERUS HORII 'PRINCE OF WALES'	PRINCE OF WALES JUNIPER	3 GAL		POT
JG	JUNIPERUS CHINENSIS 'AUREA'	GOLD COAST JUNIPER	3 GAL		POT
RA	RHUS AROMATICA 'GRO-LOW'	GRO LOW SUMAC	3 GAL		POT
<b>GRASSES &amp; PERENNIALS</b>					
AF	Agastache foeniculum 'Blue Fortune'	ANISE HYSSOP	1 GAL		POT
DC	DESCHAMPSIA CAESPITOSA	TUFTED HAIR GRASS	1 GAL.		POT
SA	SESLERIA AUTUMNALIS	AUTUMN MOORE GRASS	1 GAL		POT
SB	SCHIZACHYRIUM SCOPARIUM 'THE BLUES'	THE BLUES LITTLE BLUESTEM	1 GAL		POT
SH	SPOROBOLOUS HETEROLEPSIS	PRAIRIE DROPSSEED	1 GAL		POT
SN	SALVIA NEMOROSA 'MAY NIGHT'	MAY NIGHT MEADOW SAGE	1 GAL		POT
PN	PANICUM VIRGATUM 'NORTHWIND'	NORTHWIND SWITCHGRASS	1 GAL		POT

**ANDREW MCCREIGHT**  
 MANAGER (A), DEVELOPMENT REVIEW CENTRAL  
 PLANNING, REAL ESTATE & ECONOMIC DEVELOPMENT  
 DEPARTMENT, CITY OF OTTAWA

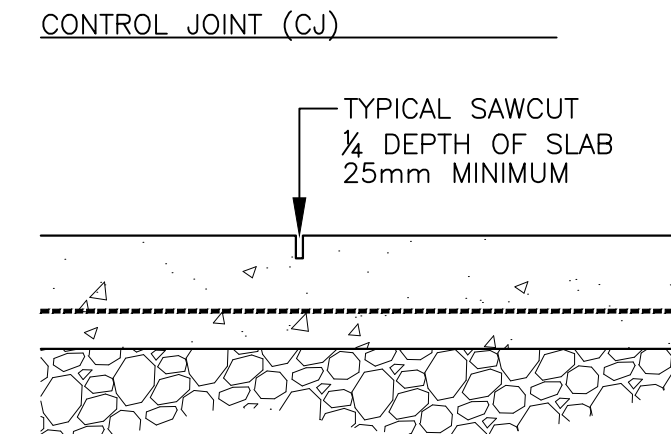
**APPROVED**  
 By Andrew McCreight at 1:28 pm, May 26, 2023

Last Save: 2022-04-27 14:33:35 AM  
 File Location: Z:\Projects\2096-01 50 The Driveway\Drawings\SPA\SPA 05\2096-01 50 The Driveway\_SPA05(Landscape) dwg



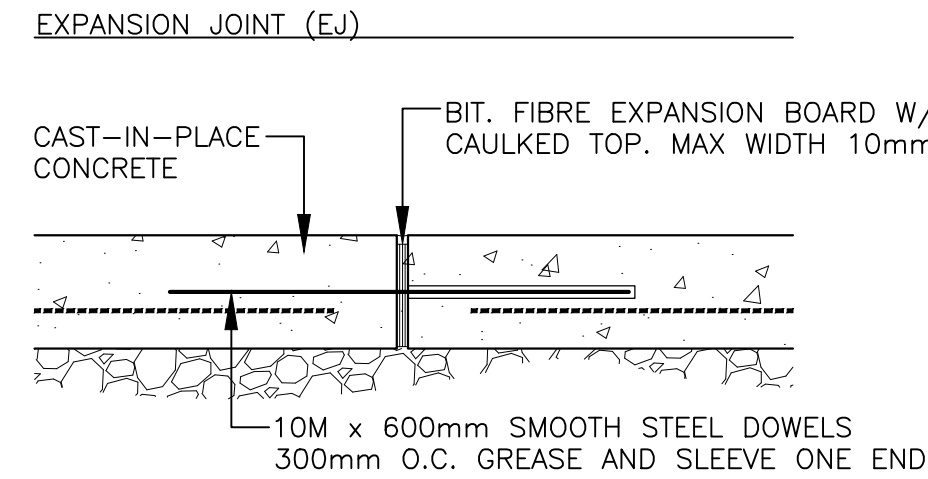


1 CONCRETE PAVING Scale: 1:10



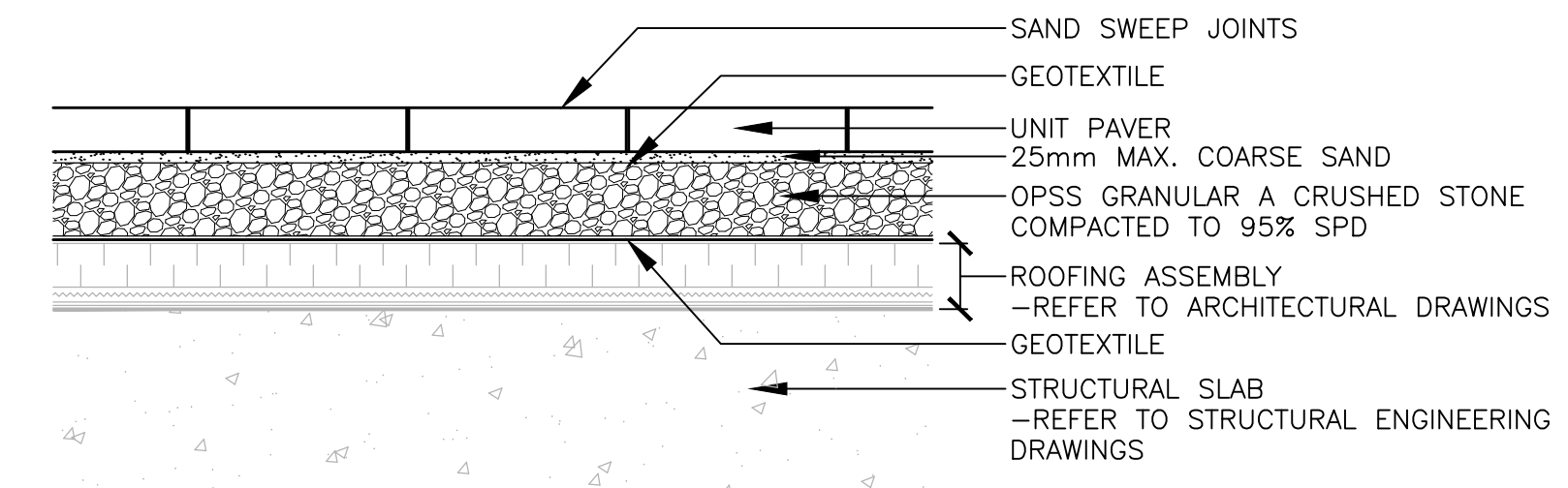
CONTROL JOINT (CJ)  
 TYPICAL SAWCUT  
 1/4 DEPTH OF SLAB  
 25mm MINIMUM

2 CONCRETE JOINTS Scale: 1:10

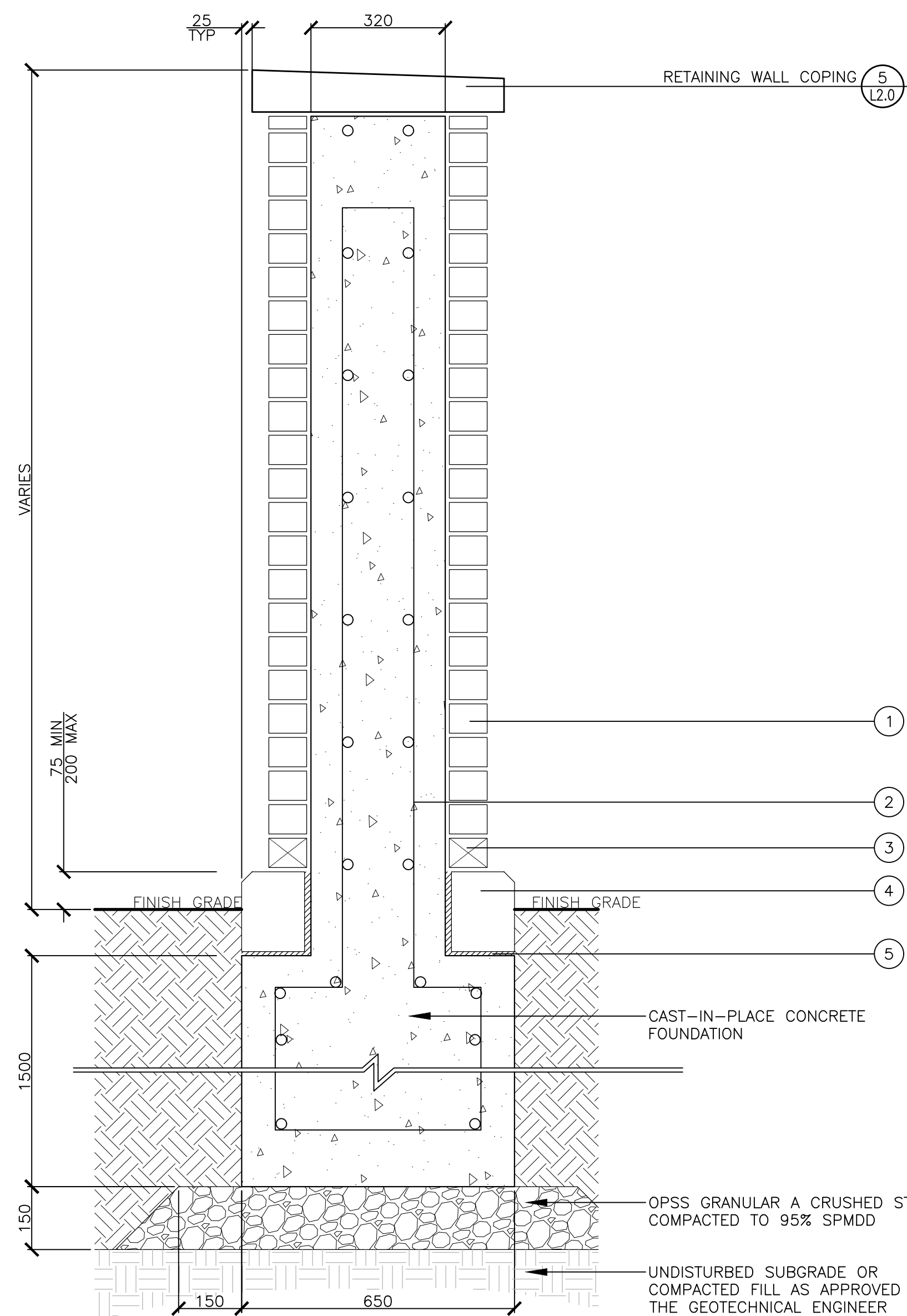


EXPANSION JOINT (EJ)  
 CAST-IN-PLACE  
 CONCRETE  
 BIT. FIBRE EXPANSION BOARD W/  
 CAULKED TOP. MAX WIDTH 10mm  
 10M x 600mm SMOOTH STEEL DOWELS  
 300mm O.C. GREASE AND SLEEVE ONE END

3 UNIT PAVING Scale: 1:10

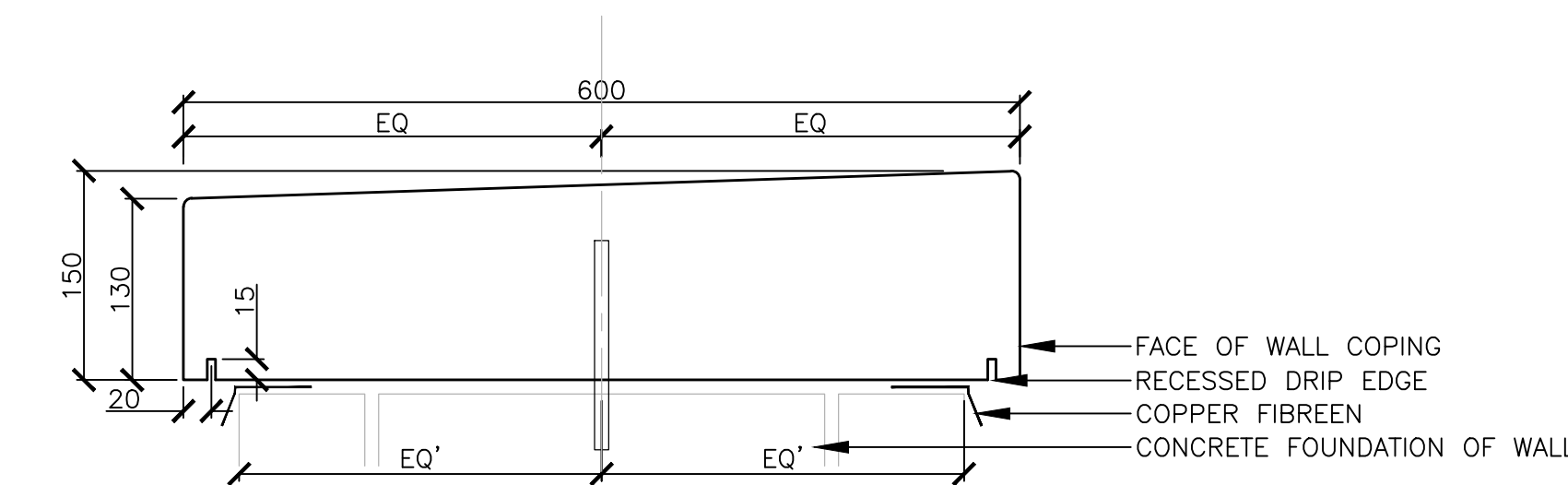


3 UNIT PAVING Scale: 1:10



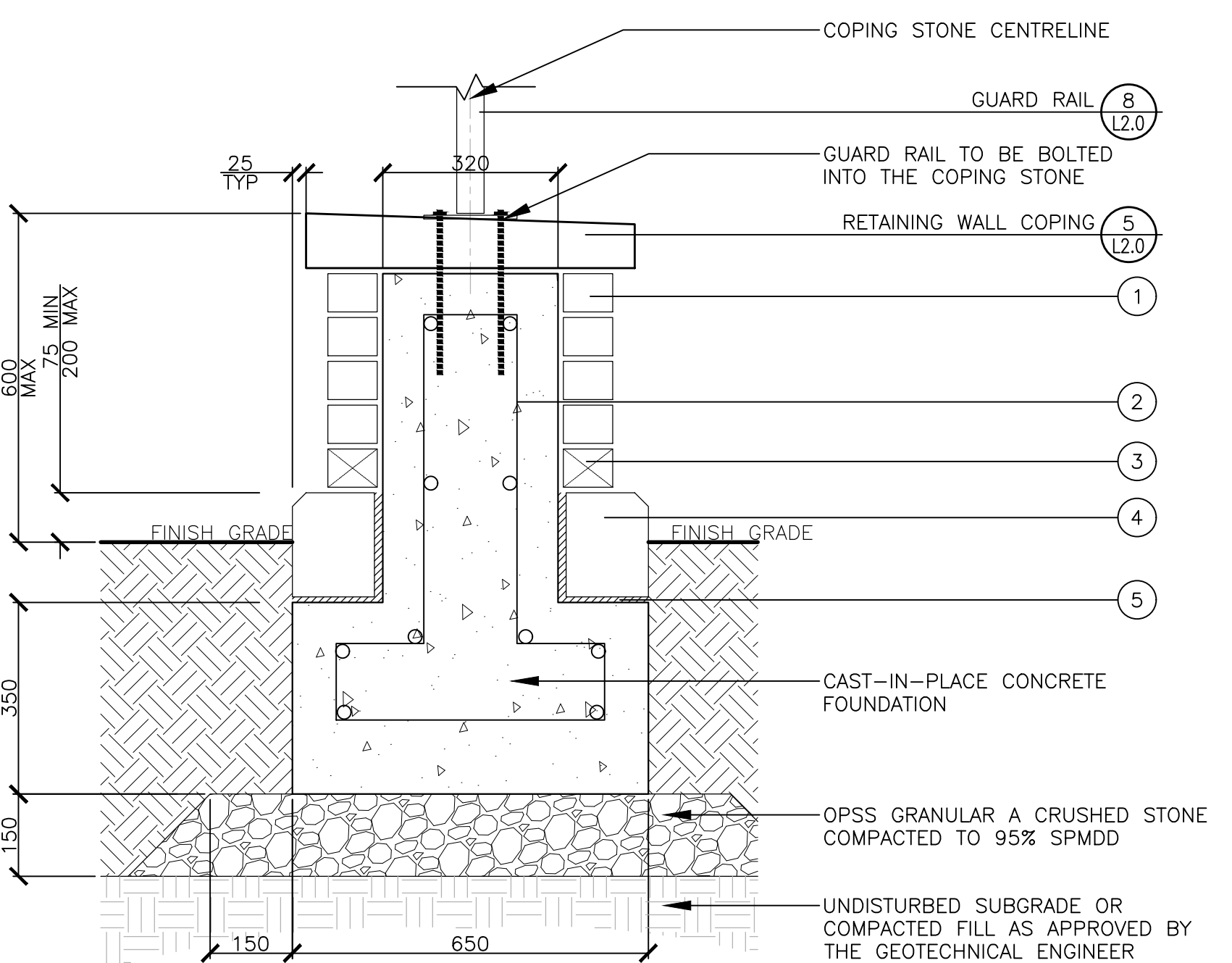
NOTES:  
 1. CLAY BRICK: -PATTERN: OFFSET RUNNING BOND  
 2. REBAR: -15M HORIZONTAL CONTINUOUS  
 -15M VERTICAL REBAR @ 450mm O.C.  
 -ALL REBAR TO BE EPOXY COATED  
 3. WEEP HOLE AT APPROX. 600mm SPACING. PROVIDE 10mm AIR SPACE BEHIND ALL MASONRY BRICK  
 4. GRANITE FACING STONE: -25mm CHAMFER AT EXPOSED EDGE  
 -NO AIR SPACE BEHIND GRANITE STONE  
 5. WALL LEDGE TO STEP AS REQUIRED. STEPS TO BE EVENLY SPACED. HEIGHT OF STEPS SHALL BE EQUAL TO HEIGHT OF ONE BRICK COURSE  
 6. INSTALL VERTICAL CONTROL JOINTS 4000 O.C. OR WHERE FOUNDATION STEPS

4 MASONRY PRIVACY WALL & MASONRY COLUMN Scale: 1:10



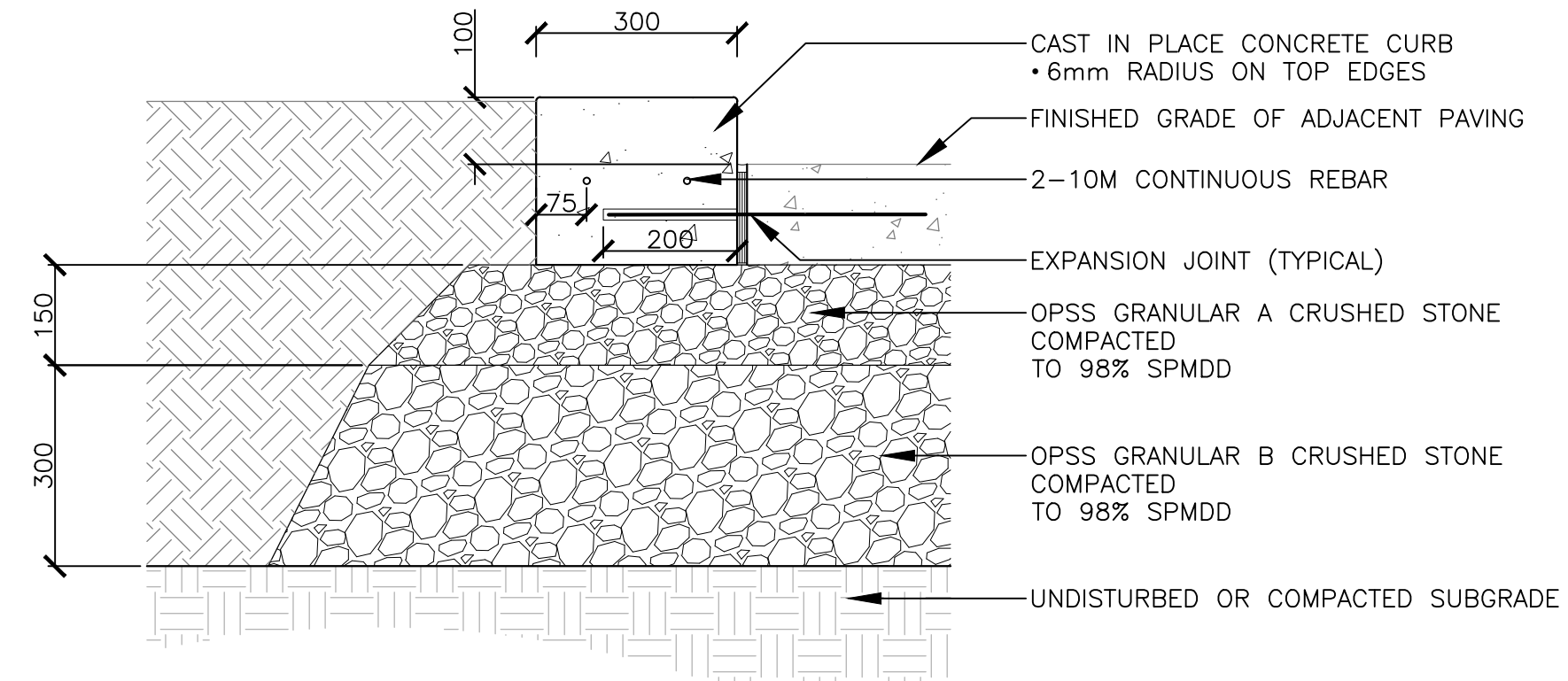
NOTES:  
 1. COPING TO BE PRECAST WITH MEDIUM SANDBLAST FINISH  
 2. 6mm RADIUS AT TOP FRONT AND TOP BACK EDGES  
 3. ALL COPING STONE TO BE SECURED TO WALL WITH TWO DOWELS. MORTAR ALL JOINTS  
 4. FACE OF WALL COPING TO BE ADJACENT PLAZAS  
 5. PROVIDE SAMPLES AND SHOP DRAWINGS FOR REVIEW PRIOR TO COMMENCEMENT OF WORK

5 PRIVACY WALL COPING Scale: 1:10



NOTES:  
 1. CLAY BRICK: -PATTERN: OFFSET RUNNING BOND  
 2. REBAR: -15M HORIZONTAL CONTINUOUS  
 -15M VERTICAL REBAR @ 450mm O.C.  
 -ALL REBAR TO BE EPOXY COATED  
 3. WEEP HOLE AT APPROX. 600mm SPACING. PROVIDE 10mm AIR SPACE BEHIND ALL MASONRY BRICK  
 4. GRANITE FACING STONE: -25mm CHAMFER AT EXPOSED EDGE  
 -NO AIR SPACE BEHIND GRANITE STONE  
 5. WALL LEDGE TO STEP AS REQUIRED. STEPS TO BE EVENLY SPACED. HEIGHT OF STEPS SHALL BE EQUAL TO HEIGHT OF ONE BRICK COURSE  
 6. INSTALL VERTICAL CONTROL JOINTS 4000 O.C. OR WHERE FOUNDATION STEPS

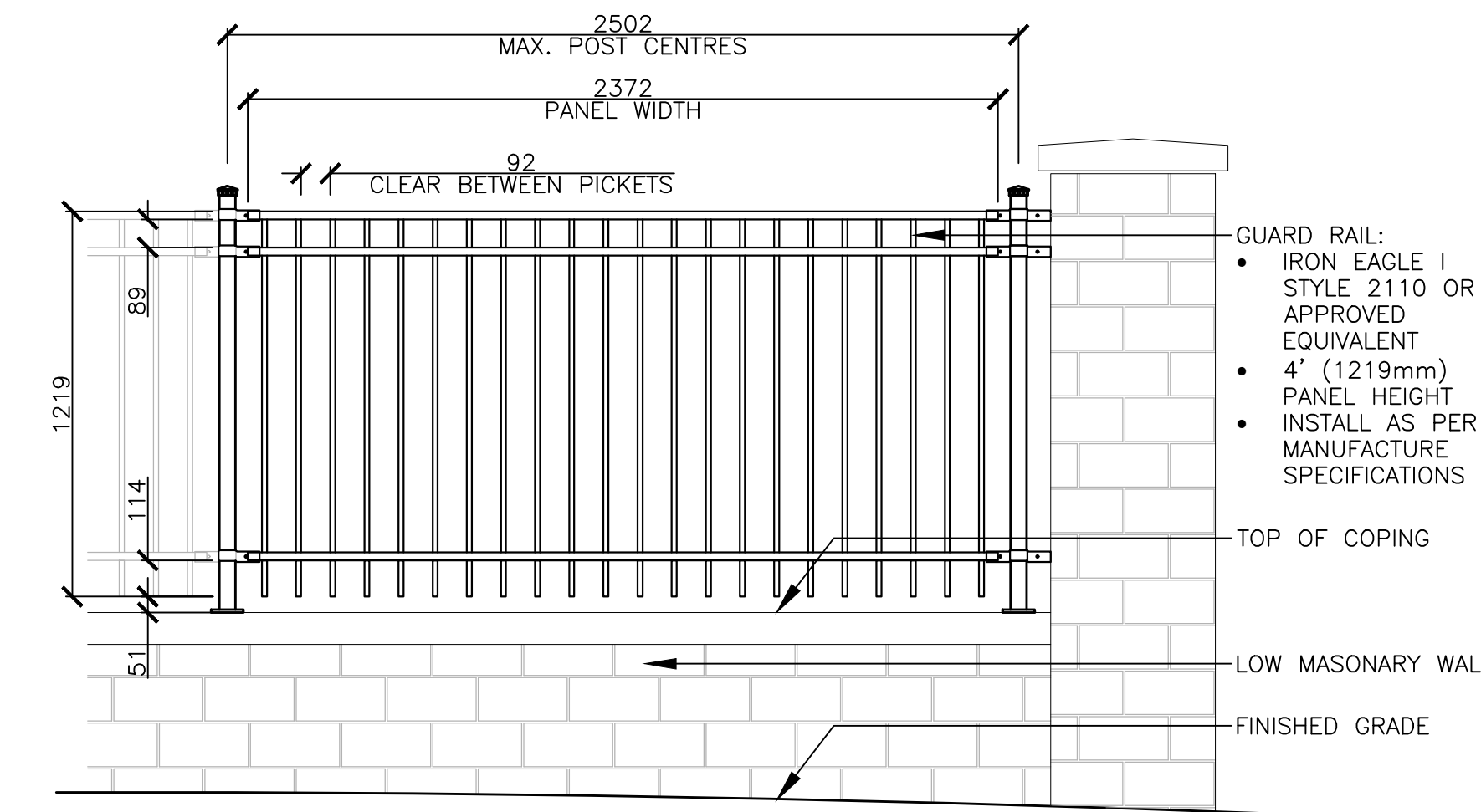
6 LOW MASONRY WALL Scale: 1:10



7 LANDSCAPE CURB Scale: 1:10

*Andrew McCreight*  
**ANDREW MCCREIGHT**  
 MANAGER (A), DEVELOPMENT REVIEW CENTRAL  
 PLANNING, REAL ESTATE & ECONOMIC DEVELOPMENT  
 DEPARTMENT, CITY OF OTTAWA

**APPROVED**  
 By Andrew McCreight at 1:28 pm, May 26, 2023



8 GUARD RAIL Scale: 1:20

No.	Revision	Date
9.	RE-ISSUED FOR SPA	26 APR, 2023
8.	RE-ISSUED FOR SPA	14 MAR, 2023
7.	RE-ISSUED FOR SPA	10 JAN, 2023
6.	RE-ISSUED FOR SPA	29 NOV, 2022
5.	ISSUED FOR SPA	14 JUN, 2022
4.	REISSUED FOR RE-ZONING	07 DEC, 2021
3.	ISSUED FOR RE-ZONING	15 JUL, 2021
2.	ISSUED FOR REVIEW/COORDINATION	06 JUL, 2021
1.	ISSUED FOR REVIEW/COORDINATION	24 JUN, 2021

North:	Stamp:

**CSW** Landscape Architecture  
 Urban Design  
 Site Planning  
 Recreation and Park Planning  
 Project Management  
 319 McRae Avenue, Suite 502, Ottawa, Ontario K1Z 0B9  
 Tel: (613) 729-4536 Fax: (855) 736-9161

- All measurements in millimeters unless specified otherwise. Do not scale drawing. All drawings to be read in conjunction with written specifications.
- Copyright reserved. This drawing is the exclusive property of CSW Landscape Architects Ltd. and shall not be used without the consent thereof.
- This Drawing may not be used for construction until signed by the landscape architect. It is the responsibility of the contractor to:
  - check and verify all dimensions on site;
  - report all errors and/or omissions to the landscape architect;
  - comply with all pertinent codes and by-laws;
  - check and verify locations of all underground services with all local utilities prior to any digging.

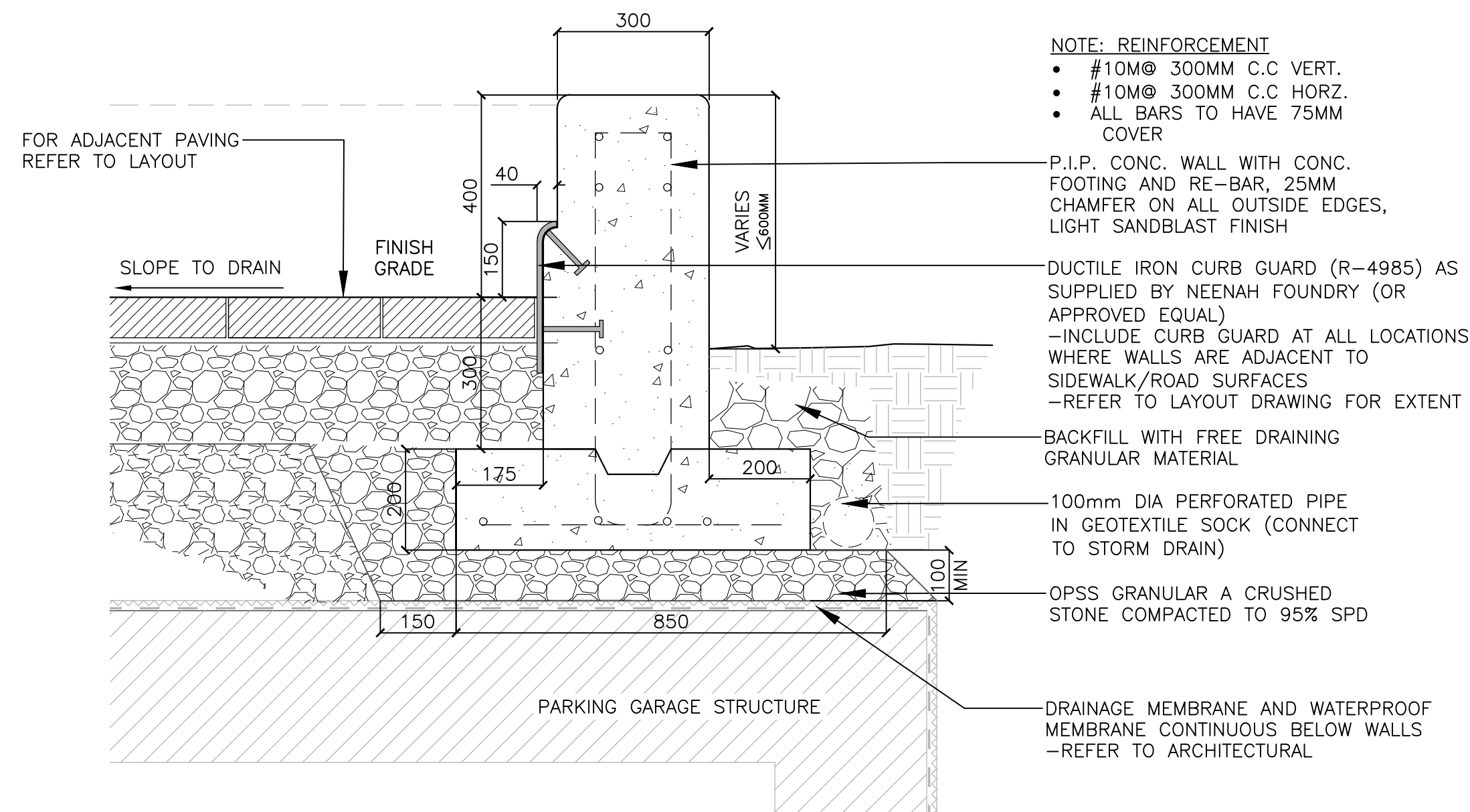
Project:  
**50 THE DRIVEWAY**  
 50 THE DRIVEWAY  
 OTTAWA, ONTARIO

Drawing:  
**LANDSCAPE DETAILS**

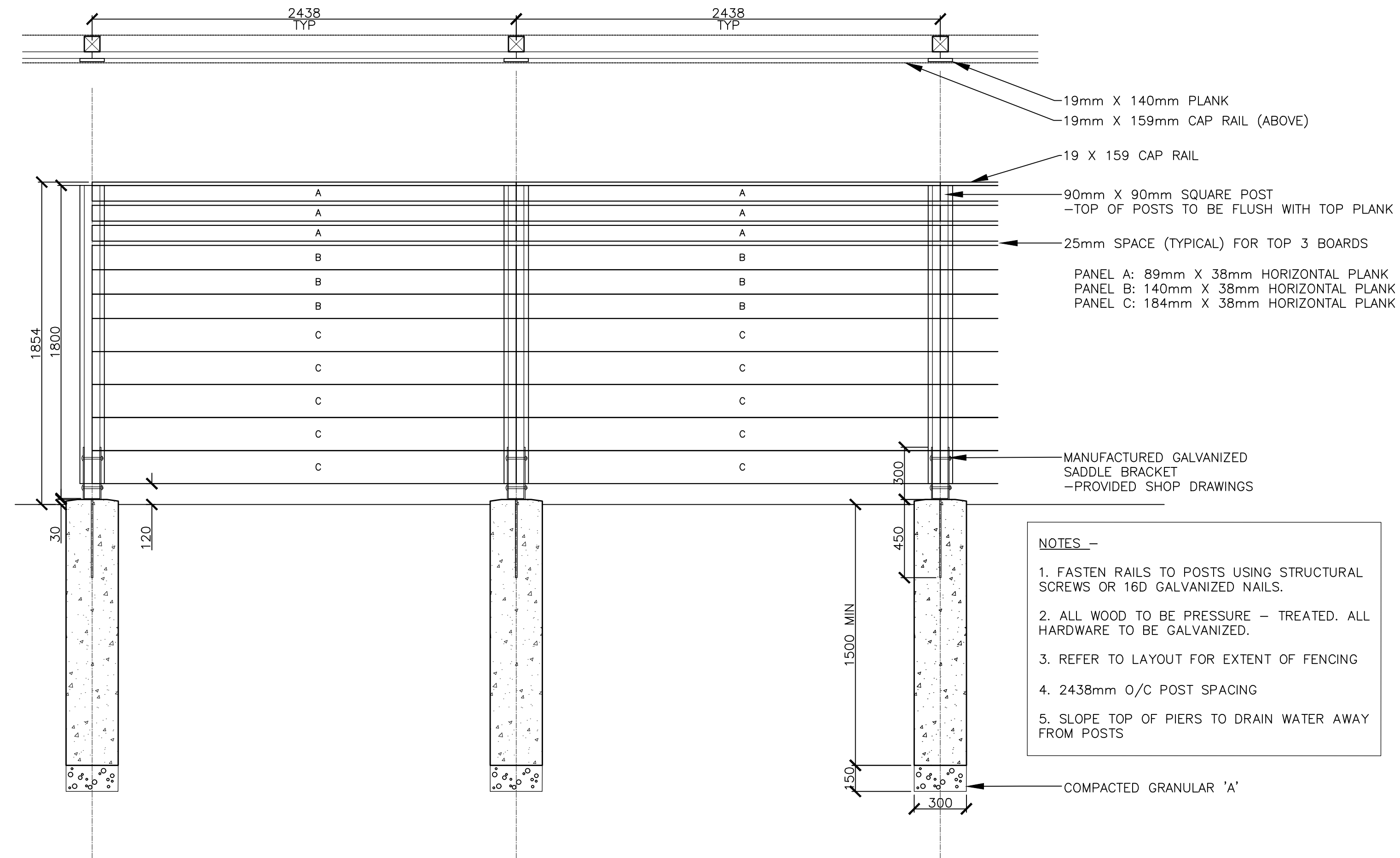
Scale:	AS NOTED	Date:	15 JUNE, 2021
Design By:	LM	Drawn By:	SW/LM
Project Number:	2096-01	Sheet Number:	L 2.0



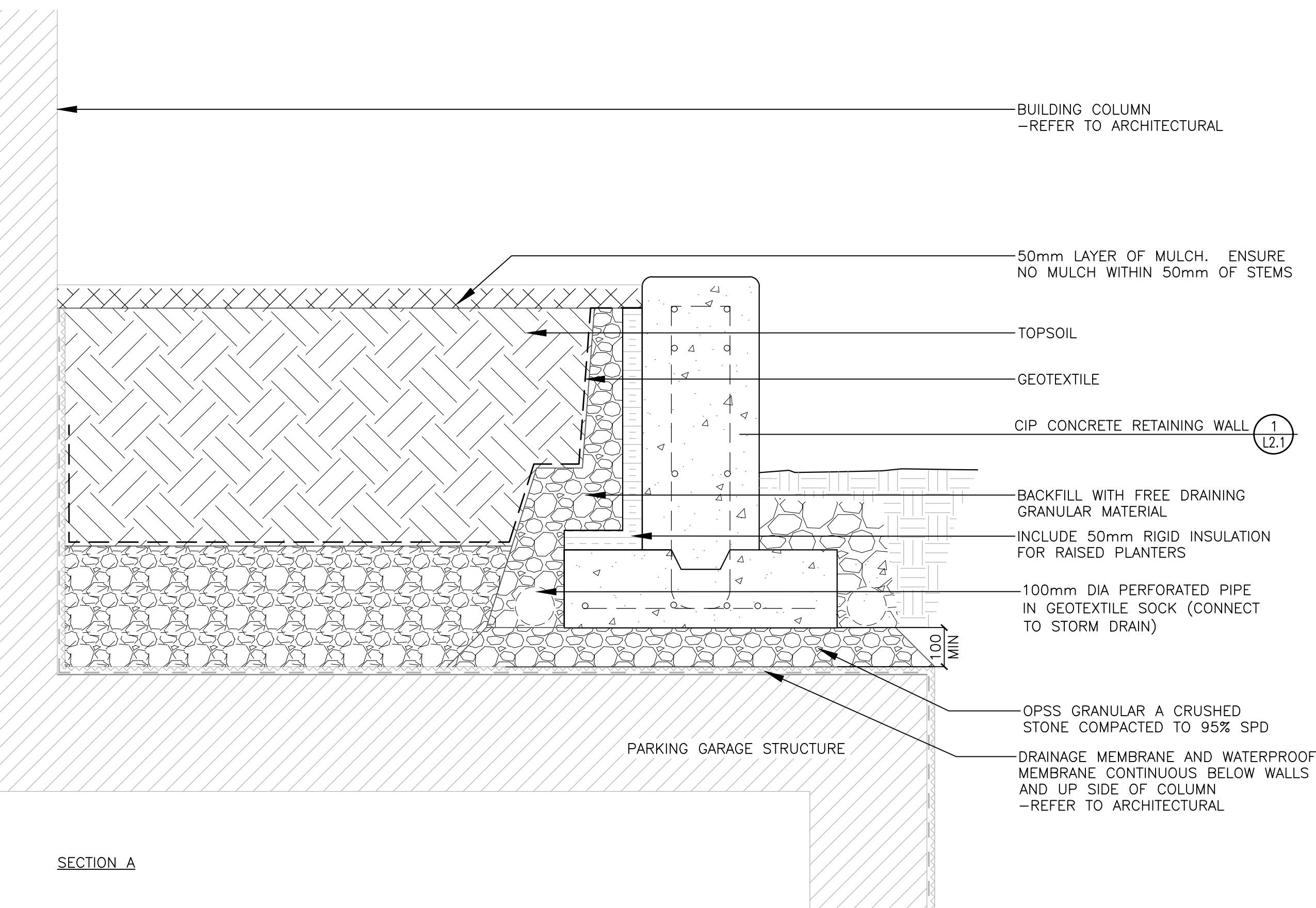
- NOTES:
1. ALL WALLS TO HAVE ARCHITECTURAL GRADE FORM WORK
  2. ALL EXPOSED SURFACES TO HAVE LIGHT SANDBLAST FINISH
  3. 25mm RADIUS ON TOP EDGES
  4. ENSURE 75mm COVERAGE OVER ALL HORIZONTAL AND VERTICAL REINFORCING
  5. BIT. FIBRE EXPANSION JOINT EVERY 4M (10M X 600mm SMOOTH STEEL DOWELS, GREASE AND SLEEVE ONE END (6 AT EACH EXPANSION JOINT), ENSURE 100mm COVER
  6. SHOP DRAWINGS TO BE SUBMITTED FOR REVIEW PRIOR TO COMMENCEMENT OF WORK
  7. VERIFY DIMENSIONS ON SITE
  8. STAMPED ENGINEER APPROVED SHOP DRAWING TO BE SUBMITTED FOR WALL OVER 600mm HT.



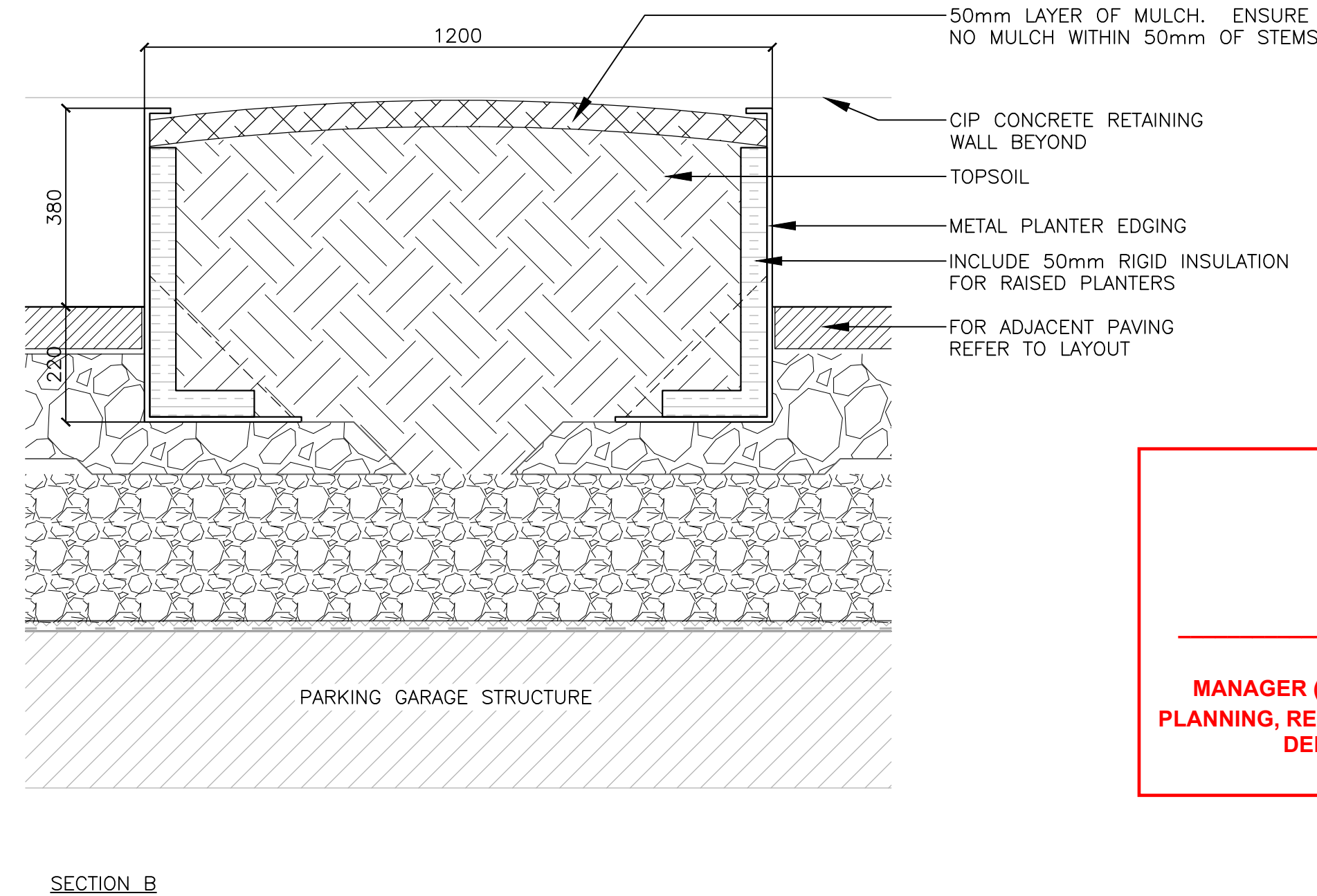
1 CIP CONCRETE RETAINING WALL Scale: 1:10



2 1.8M HEIGHT PRIVACY FENCE Scale: 1:20



3 RAISED PLANTER Scale: 1:10



SECTION B Scale: 1:10

- NOTES -
1. FASTEN RAILS TO POSTS USING STRUCTURAL SCREWS OR 16D GALVANIZED NAILS.
  2. ALL WOOD TO BE PRESSURE - TREATED. ALL HARDWARE TO BE GALVANIZED.
  3. REFER TO LAYOUT FOR EXTENT OF FENCING
  4. 2438mm O/C POST SPACING
  5. SLOPE TOP OF PIERS TO DRAIN WATER AWAY FROM POSTS

No.	Revision	Date
9.	RE-ISSUED FOR SPA	26 APR, 2023
8.	RE-ISSUED FOR SPA	14 MAR, 2023
7.	RE-ISSUED FOR SPA	10 JAN, 2023
6.	RE-ISSUED FOR SPA	29 NOV, 2022
5.	ISSUED FOR SPA	14 JUN, 2022
4.	REISSUED FOR RE-ZONING	07 DEC, 2021
3.	ISSUED FOR RE-ZONING	15 JUL, 2021
2.	ISSUED FOR REVIEW/COORDINATION	06 JUL, 2021
1.	ISSUED FOR REVIEW/COORDINATION	24 JUN, 2021

North:	Stamp:
--------	--------

**CSW** Landscape Architecture  
 Urban Design  
 Site Planning  
 Recreation and Park Planning  
 Project Management

319 McRae Avenue, Suite 502, Ottawa, Ontario K1Z 0B9  
 Tel: (613) 729-4536 Fax: (613) 736-9161

1. All measurements in millimeters unless specified otherwise. Do not scale drawing. All drawings to be read in conjunction with written specifications.
2. Copyright reserved. This drawing is the exclusive property of CSW Landscape Architects Ltd. and shall not be used without the consent thereof.
3. This Drawing may not be used for construction until signed by the landscape architect. It is the responsibility of the contractor to:
  - check and verify all dimensions on site;
  - report all errors and/or omissions to the landscape architect;
  - comply with all pertinent codes and by-laws;
  - check and verify locations of all underground services with all local utilities prior to any digging.

Project:  
**50 THE DRIVEWAY**

50 THE DRIVEWAY  
 OTTAWA, ONTARIO

Drawing:  
**LANDSCAPE DETAILS**

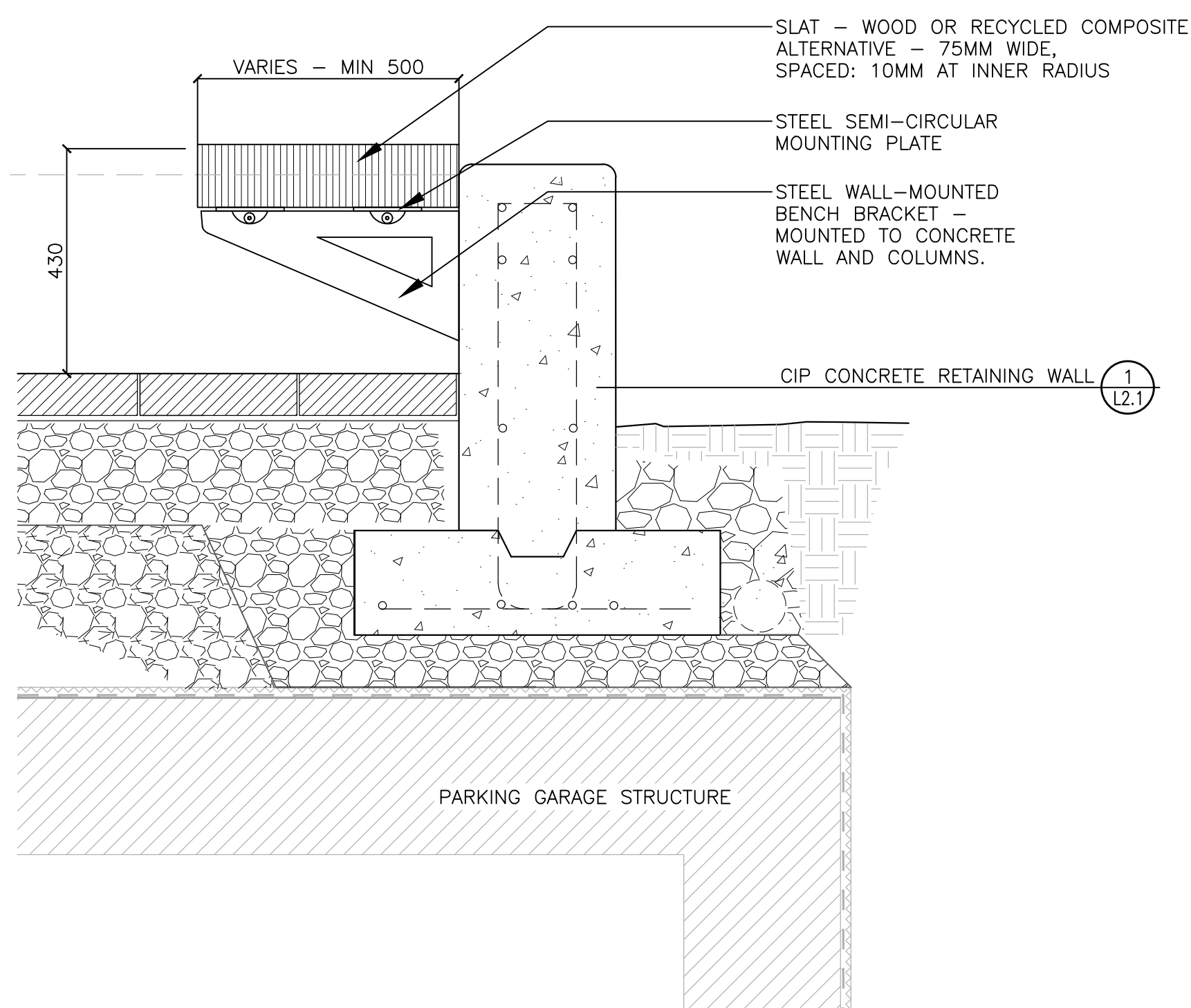
Scale:	AS NOTED	Date:	15 JUNE, 2021
Design By:	LM	Drawn By:	SW/LM
Project Number:	2096-01	Sheet Number:	L 2.1

*Andrew McCreight*

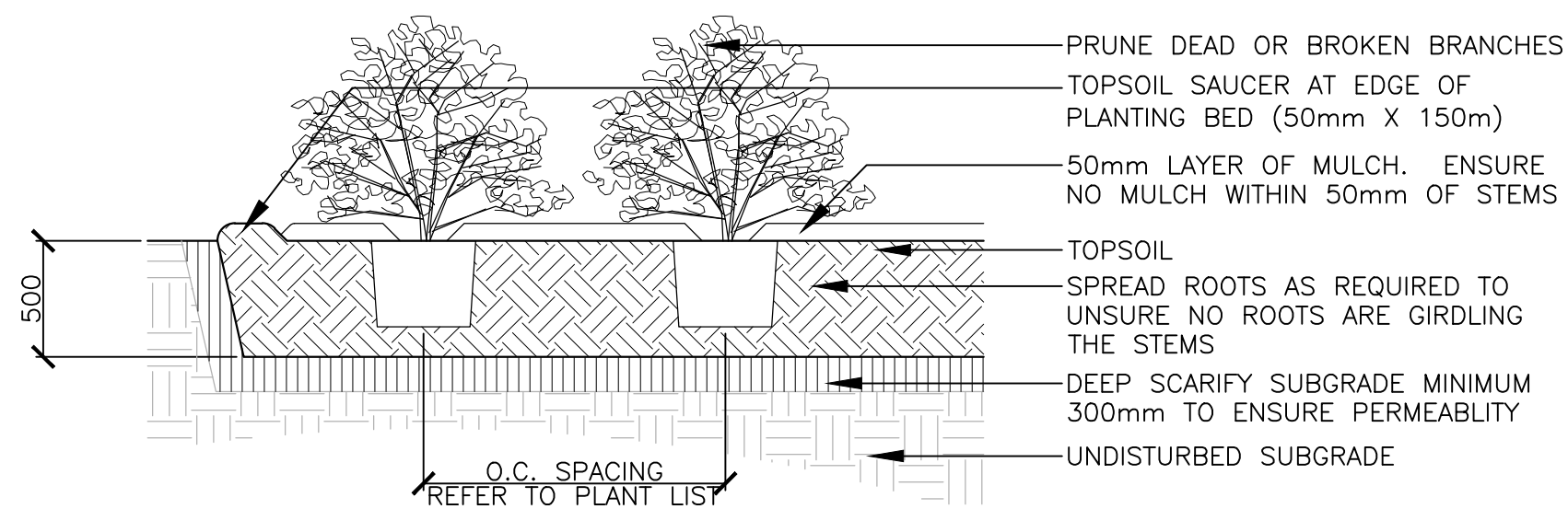
**ANDREW MCCREIGHT**  
 MANAGER (A), DEVELOPMENT REVIEW CENTRAL  
 PLANNING, REAL ESTATE & ECONOMIC DEVELOPMENT  
 DEPARTMENT, CITY OF OTTAWA

**APPROVED**  
 By Andrew McCreight at 1:28 pm, May 26, 2023

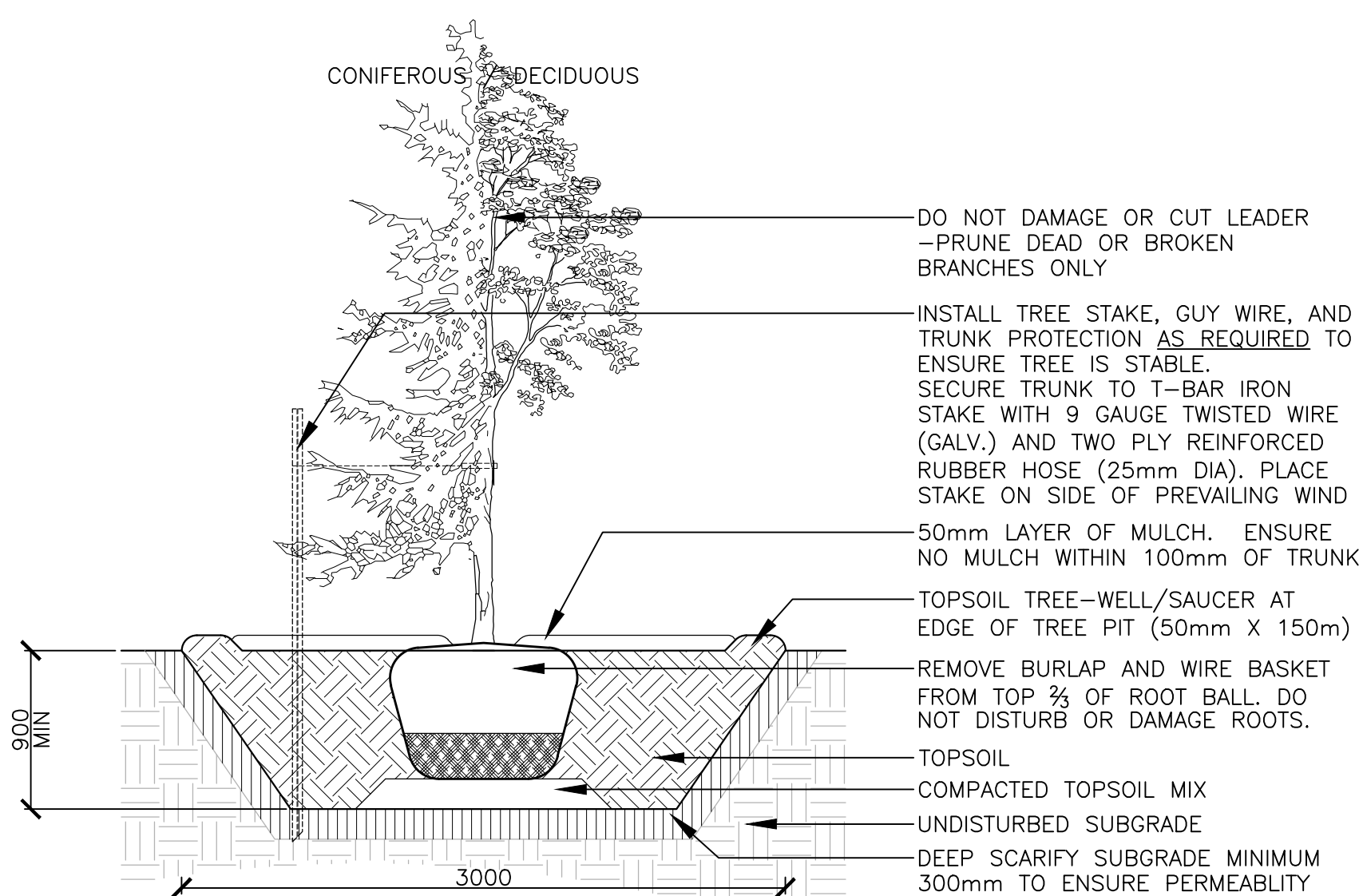




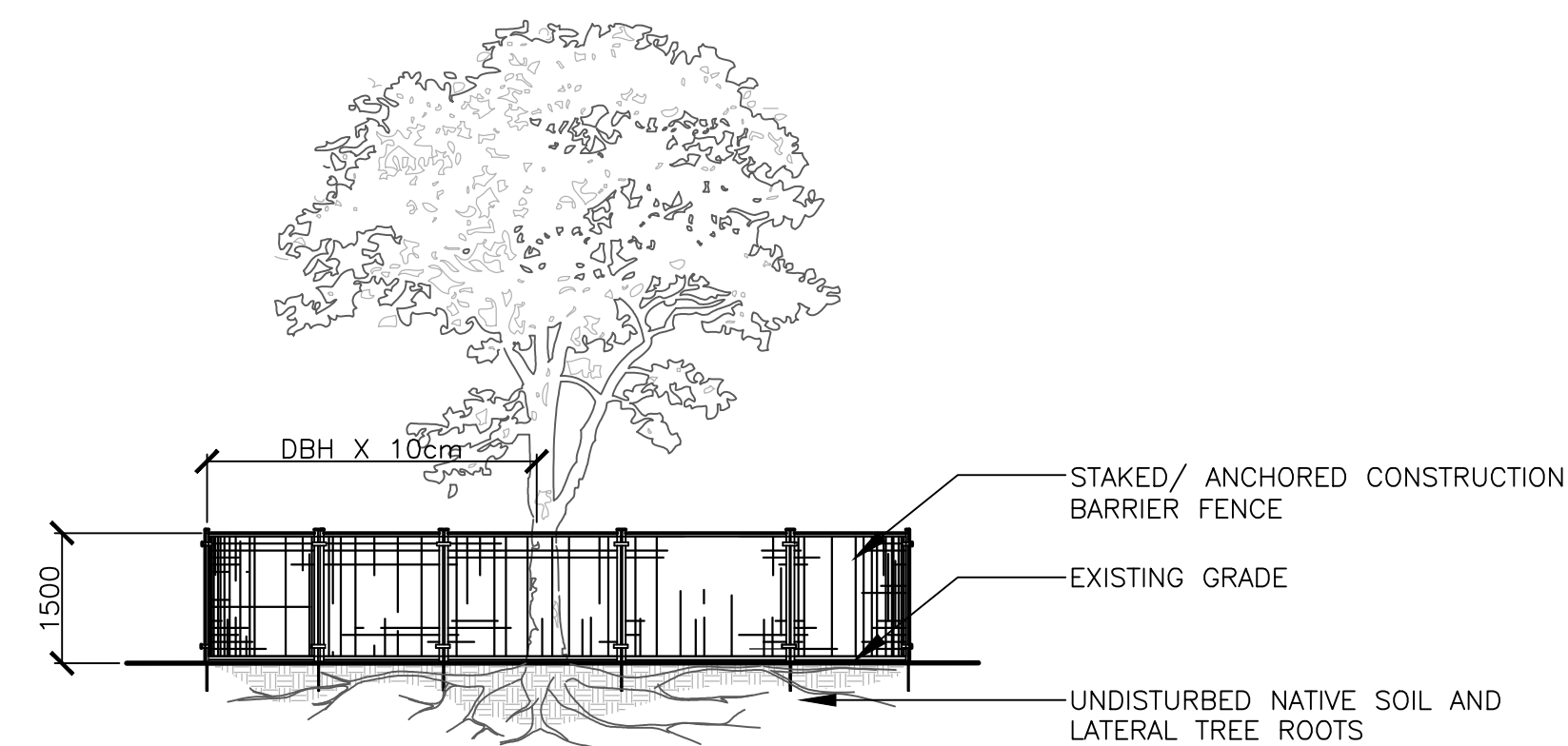
1 WALL MOUNT BENCH Scale: 1:10



2 SHRUB PLANTING Scale: 1:30



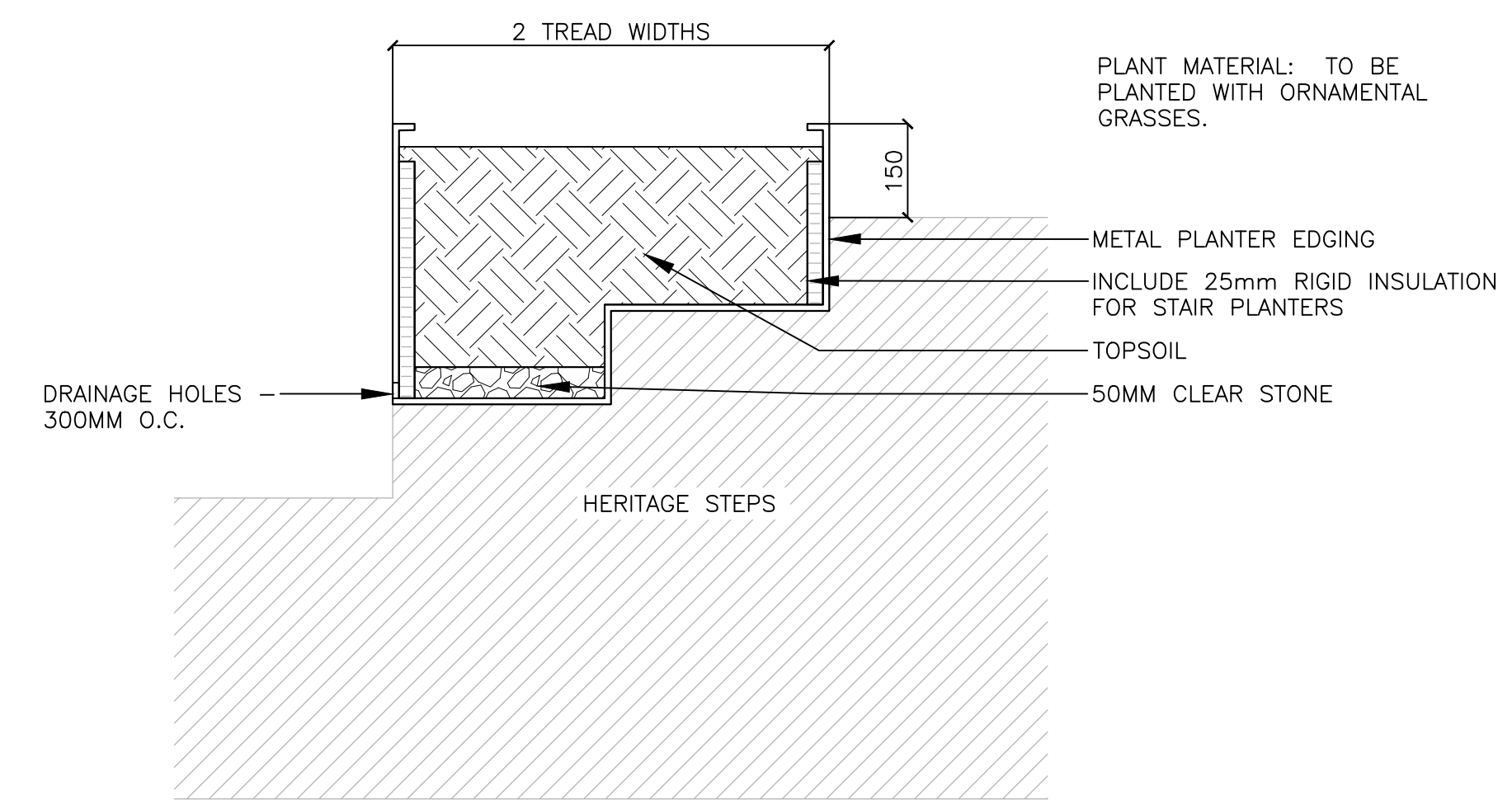
3 TREE PLANTING Scale: 1:30



NOTES:  
 THE FOLLOWING PROTECTION MEASURES MUST BE IMPLEMENTED FOR RETAINED TREES, BOTH ON SITE AND ADJACENT SITES, PRIOR TO ANY TREE REMOVAL OR SITE WORKS AND MAINTAINED FOR THE DURATION OF CONSTRUCTION ON SITE.

1. UNDER THE GUIDANCE OF AN ARBORIST, ERECT A FENCE AT THE CRITICAL ROOT ZONE (CRZ) OF TREES WHERE THE CRZ IS ESTABLISHED AS BEING 10 CENTIMETERS FROM THE TRUNK FOR EVERY CENTIMETER OF TRUNK DIAMETER AT BREAST HEIGHT. THE CRZ IS CALCULATED AS DBH X 10cm.
2. DO NOT PLACE ANY MATERIAL OR EQUIPMENT WITHIN THE CRZ OF THE TREE
3. DO NOT ATTACH ANY SIGNS, NOTICES OR POSTERS TO ANY TREE
4. DO NOT RAISE OR LOWER THE GRADE WITHIN THE CRZ WITHOUT APPROVAL
5. TUNNEL OR BORE WHEN DIGGING WITHIN THE CRZ OF A TREE
6. DO NOT DAMAGE THE ROOT SYSTEM, TRUNK, OR BRANCHES OF ANY TREE
7. ENSURE THAT EXHAUST FUMES FROM ALL EQUIPMENT ARE NOT DIRECTED TOWARDS ANY TREE CANOPY

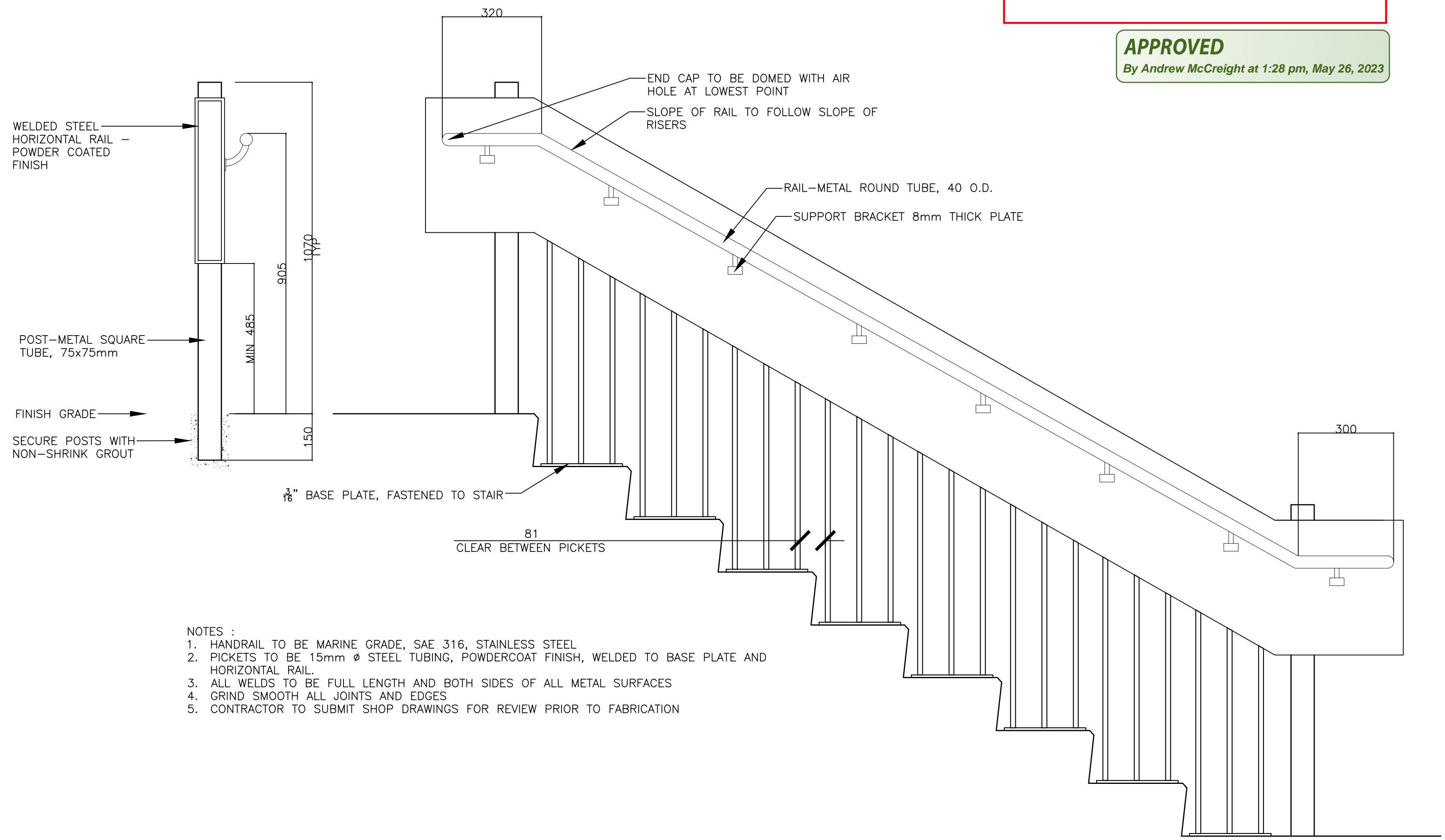
4 TREE PROTECTION FENCING



5 PLANTER ON HERITAGE STEPS Scale: 1:10

*Andrew McCreight*  
**ANDREW MCCREIGHT**  
 MANAGER (A), DEVELOPMENT REVIEW CENTRAL  
 PLANNING, REAL ESTATE & ECONOMIC DEVELOPMENT  
 DEPARTMENT, CITY OF OTTAWA

**APPROVED**  
 By Andrew McCreight at 1:28 pm, May 26, 2023



NOTES:  
 1. HANDRAIL TO BE MARINE GRADE, SAE 316, STAINLESS STEEL  
 2. PICKETS TO BE 15mm Ø STEEL TUBING, POWDERCOAT FINISH, WELDED TO BASE PLATE AND HORIZONTAL RAIL.  
 3. ALL WELDS TO BE FULL LENGTH AND BOTH SIDES OF ALL METAL SURFACES  
 4. GRIND SMOOTH ALL JOINTS AND EDGES  
 5. CONTRACTOR TO SUBMIT SHOP DRAWINGS FOR REVIEW PRIOR TO FABRICATION

6 HANDRAIL Scale: 1:10

No.	Revision	Date
9.	RE-ISSUED FOR SPA	26 APR, 2023
8.	RE-ISSUED FOR SPA	14 MAR, 2023
7.	RE-ISSUED FOR SPA	10 JAN, 2023
6.	RE-ISSUED FOR SPA	29 NOV, 2022
5.	ISSUED FOR SPA	14 JUN, 2022
4.	REISSUED FOR RE-ZONING	07 DEC, 2021
3.	ISSUED FOR RE-ZONING	15 JUL, 2021
2.	ISSUED FOR REVIEW/COORDINATION	06 JUL, 2021
1.	ISSUED FOR REVIEW/COORDINATION	24 JUN, 2021

North:	Stamp:

**CSW** Landscape Architecture  
 Urban Design  
 Site Planning  
 Recreation and Park Planning  
 Project Management

319 McRae Avenue, Suite 502, Ottawa, Ontario K1Z 0B9  
 Tel: (613) 729-4536 Fax: (855) 736-9161

1. All measurements in millimeters unless specified otherwise. Do not scale drawing. All drawings to be read in conjunction with written specifications.
2. Copyright reserved. This drawing is the exclusive property of CSW Landscape Architects Ltd. and shall not be used without the consent thereof.
3. This Drawing may not be used for construction until signed by the landscape architect. It is the responsibility of the contractor to:
  - check and verify all dimensions on site;
  - report all errors and/or omissions to the landscape architect;
  - comply with all pertinent codes and by-laws;
  - check and verify locations of all underground services with all local utilities prior to any digging.

Project:  
**50 THE DRIVEWAY**  
 50 THE DRIVEWAY  
 OTTAWA, ONTARIO

Drawing:	
<b>LANDSCAPE DETAILS</b>	
Scale:	Date:
AS NOTED	15 JUNE, 2021
Design By:	Drawn By:
LM	SW/LM
Project Number:	Sheet Number:
2096-01	L 2.2