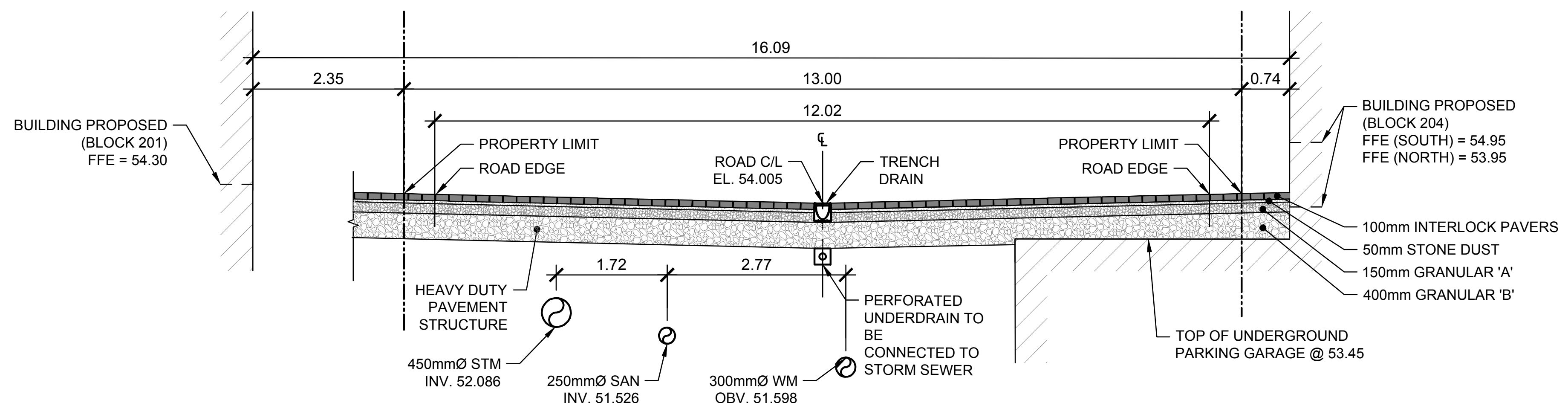
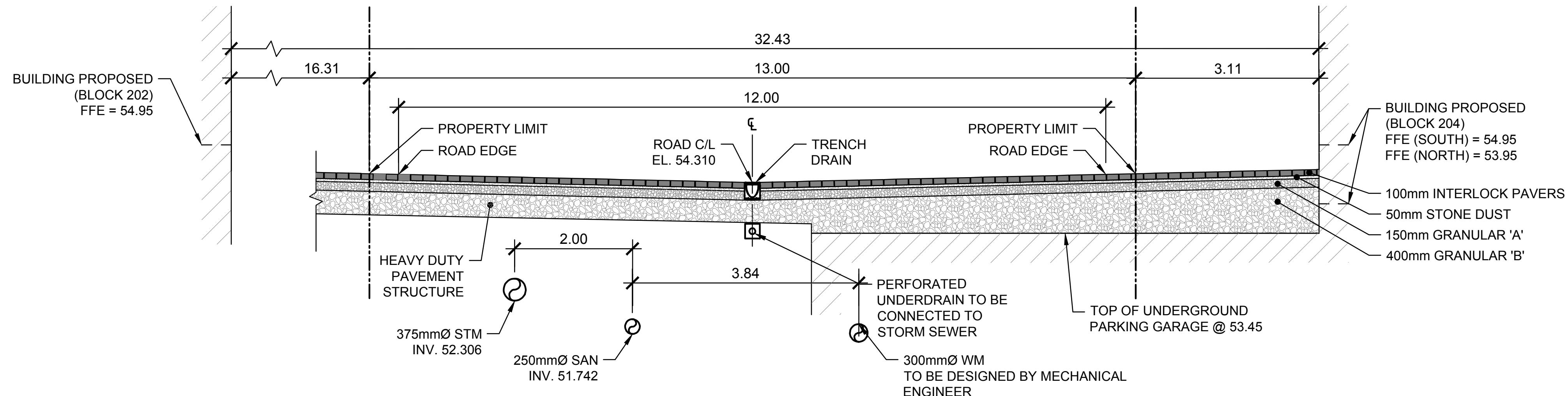


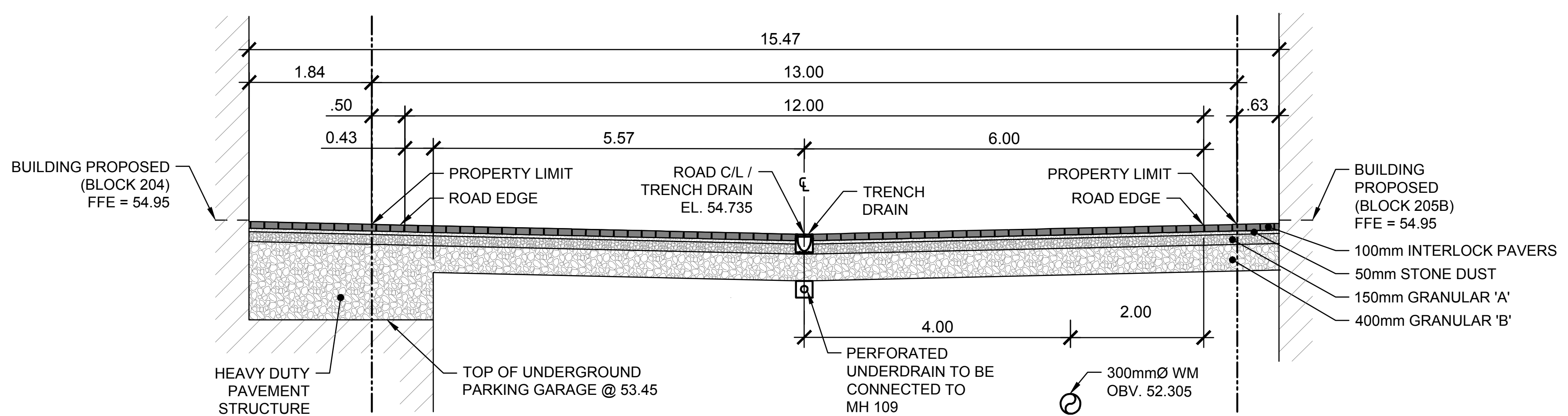
TITLBLE: LOCK 24038 VERT ENG 3.0



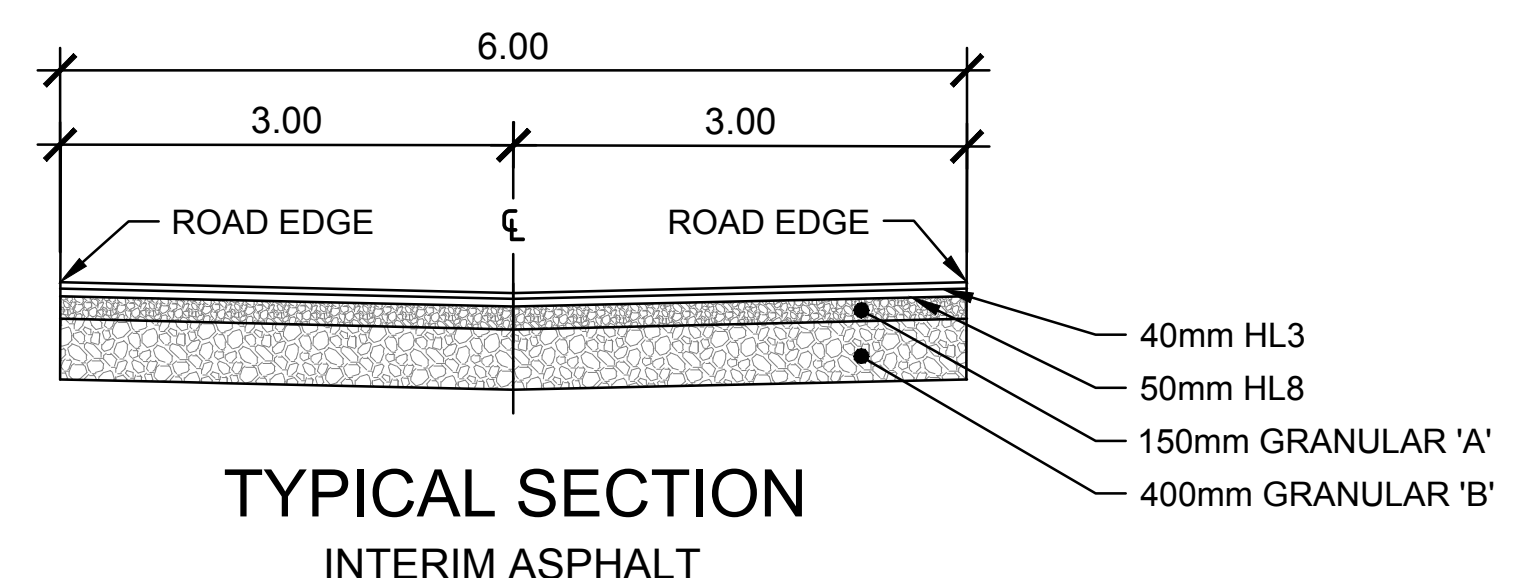
SECTION A-A  
STA 1+091.31



SECTION B-B  
STA 1+048.15



SECTION C-C  
STA 2+056.38



TYPICAL SECTION  
INTERIM ASPHALT



APPROX. 16"W x 24"H



APPROX. 16"W x 6"H

**100** UNDERGROUND PARKING STRUCTURE SIGN  
SCALE: NTS

*Andrew McCreight*  
**ANDREW MCCREIGHT**  
MANAGER (A), DEVELOPMENT REVIEW CENTRAL  
PLANNING, REAL ESTATE & ECONOMIC DEVELOPMENT  
DEPARTMENT, CITY OF OTTAWA

**APPROVED**  
By Andrew McCreight at 9:30 am, May 23, 2023

**NOTE:**  
SIGNS TO BE MANUFACTURED OF METAL OR PLASTIC LAMICOID WITH APPROXIMATE DIMENSION SHOWN IN DETAIL. SIGNS TO BE INSTALLED ON EXTERIOR BUILDING WALL. SIGNS TO BE VISIBLE AND INSTALLED AT A HEIGHT OF 60" - 96" FROM THE GROUND.

No.	Date	Description	By
4	FEB 03, 2023	ISSUED FOR ECA	A.C.
3	NOV 21, 2022	ISSUED FOR SITE PLAN APPLICATION	A.C.
2	AUG. 31, 2022	ISSUED FOR SITE PLAN APPLICATION	A.C.
1	APR. 18, 2022	ISSUED FOR SITE PLAN APPLICATION	A.C.



CLIENT:  
**DREAM UNLIMITED**  
30 ADELAIDE STREET EAST  
SUITE 301  
TORONTO, ON, M5C 3H1  
613-219-2722  
**ZIBI (Project Address)**  
310 Mivatte Private  
OTTAWA, ONTARIO  
K1R 0E1

PROJECT NAME:  
**ZIBI ONTARIO  
BLOCK 204  
315 PRIVE MIWATE PRIVATE,  
CHAUDIERE ISLAND  
OTTAWA, ONTARIO**

SHEET TITLE:  
**TYPICAL CROSS SECTIONS  
AND DETAILS**

DISCIPLINE:  
**CIVIL**

DRAFTER: S.C. POGGIOLI	SCALE: 1:50
DESIGNER: J. SAUVÉ	DATE: 2022/03/14
APPROVER: A. CHAUMONT	APPROVER: A. CHAUMONT
PROJECT No: A000931	DRAWING No: <b>C007</b>
SHEET No: 10 of 11	

PRINT DATE: 2023/02/01 / PAPER SIZE: ---  
PATH: Z:\Cine-CTD\DL\Projects\A000931\_Zib\Boc 7\_Ottawa\00\_Drafting\400\_CivIC-3\_Servicing.dwg / LAYOUT: C007

D0712-22-0071

18749