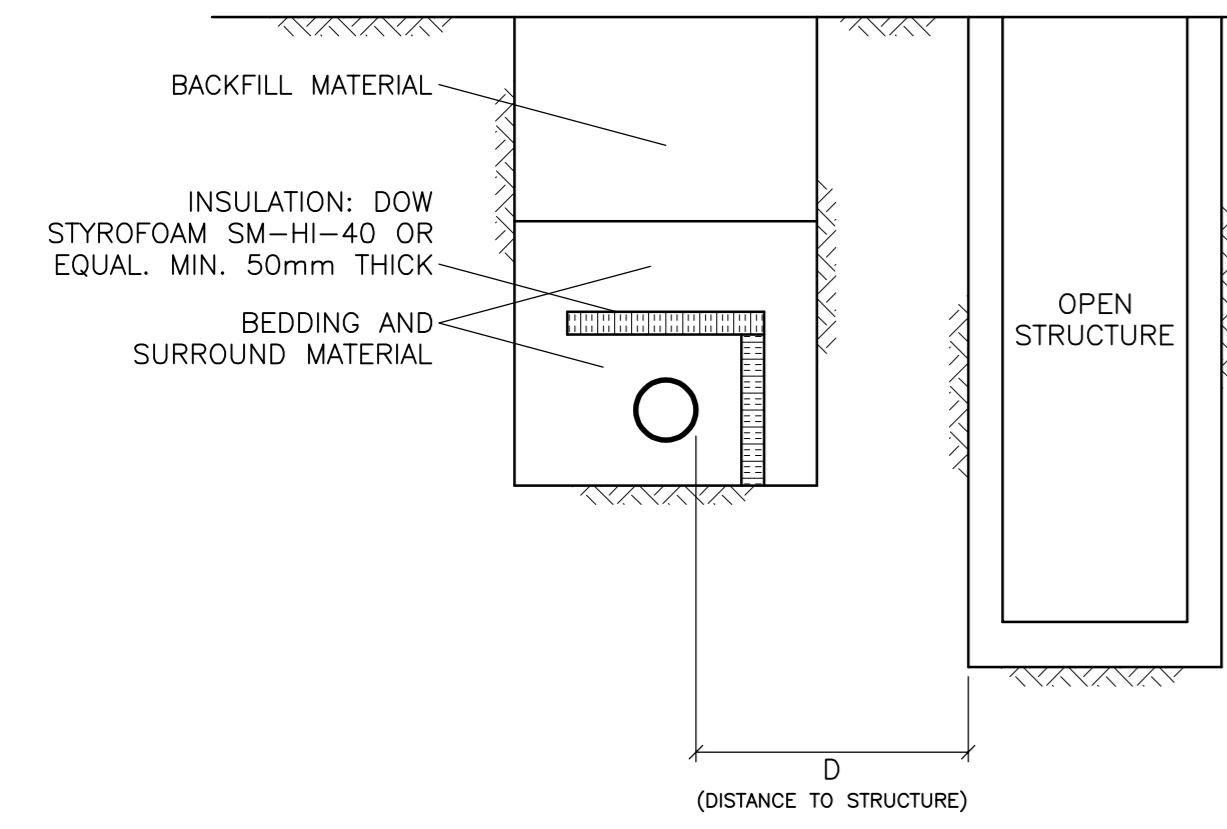


REF	DETAILS	CLEARANCE	REF	DETAILS	CLEARANCE
1	150 SAN INV 62.64 1200 ST TOP ±62.36	±270mm	2	150 SAN INV 62.62 375 SAN SPL ±62.62	-
3	250 ST SPL 62.60 250 ST SPL 62.60	-	4	250 ST OBV 62.22 1200 ST OBV ±62.22	-

### WATER SERVICE PROFILE TABLE

MATERIAL:  
38mm COPPER ASTM B88 TYPE "K" SOFT

STATION	DESCRIPTION	GRADE ELEVATION	TOP OF PIPE	DEPTH OF COVER	NOTES
0+00.0	TVS CONNECTION TO 150mm MUNICIPAL WATERMAIN TO CITY OF OTTAWA STANDARDS	±65.38	±62.98	±2.40	START OF INSULATION IN SHALLOW TRENCH: 50mm THICK
0+01.8	-	±65.41	63.15	±2.26	38 WS U/S 63.11 375 SAN TOP 62.81
0+03.2	-	±65.39	62.99	2.40	START OF INSULATION AT OPEN STRUCTURE: 125mm THICK
0+03.3	-	±65.39	62.99	2.40	38 WS U/S 62.95 1200 ST TOP 62.36
0+06.4	-	±65.34	62.94	2.40	BOTTOM OF CURB
0+08.5	-	65.43	63.03	2.40	END OF INSULATION AT OPEN STRUCTURE: 125mm THICK
0+11.0	38mm CURB STOP & SERVICE POST TO CITY OF OTTAWA STANDARDS	65.51	63.11	2.40	ON PROPERTY LINE
0+11.8	-	65.54	63.14	2.40	38 WS U/S 63.10 250 ST TOP 62.73
0+12.0	-	65.55	63.15	2.40	START OF INSULATION AT OPEN STRUCTURE: 125mm THICK
0+17.1	-	65.71	63.31	2.40	ENTRY INTO BUILDING END OF INSULATION AT OPEN STRUCTURE: 125mm THICK



D (DISTANCE TO STRUCTURE)	INSULATION THICKNESS
1800 TO 2400mm	50mm
1500 TO 1800mm	75mm
1200 TO 1500mm	100mm
900 TO 1200mm	125mm

INSULATE WATERMAINS AND SERVICE CONNECTIONS AS INDICATED AND WHERE DISTANCE TO STRUCTURE IS LESS THAN 2400mm. CENTER INSULATION OVER PIPE. STAGGER JOINTS BETWEEN SHEETS OF INSULATION.

INSULATION OF WATERMAINS & SERVICE CONNECTIONS AT OPEN STRUCTURES  
N.T.S

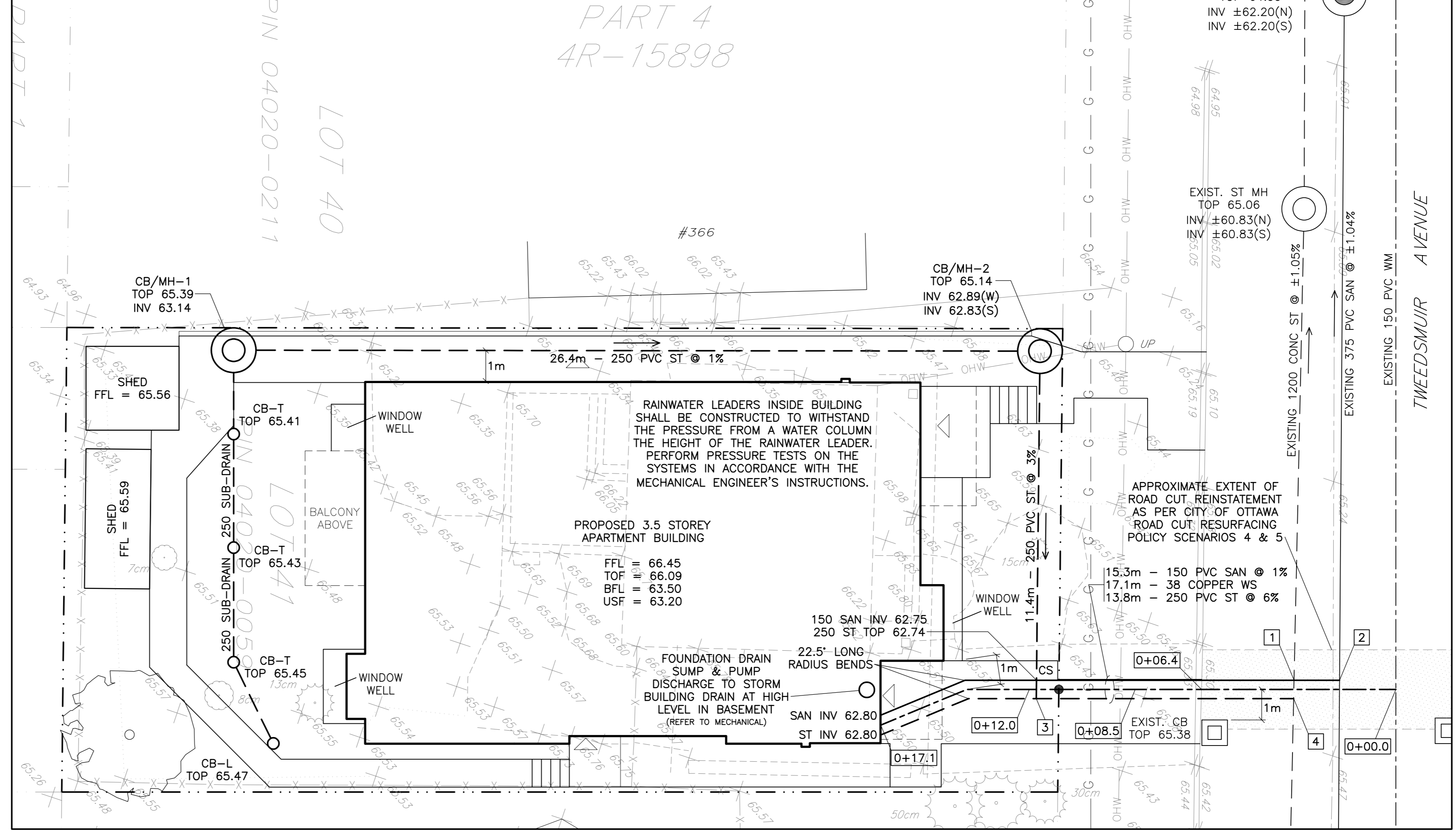
*Andrew McCreight*

**ANDREW MCCREIGHT**  
MANAGER (A), DEVELOPMENT REVIEW CENTRAL  
PLANNING, REAL ESTATE & ECONOMIC DEVELOPMENT  
DEPARTMENT, CITY OF OTTAWA

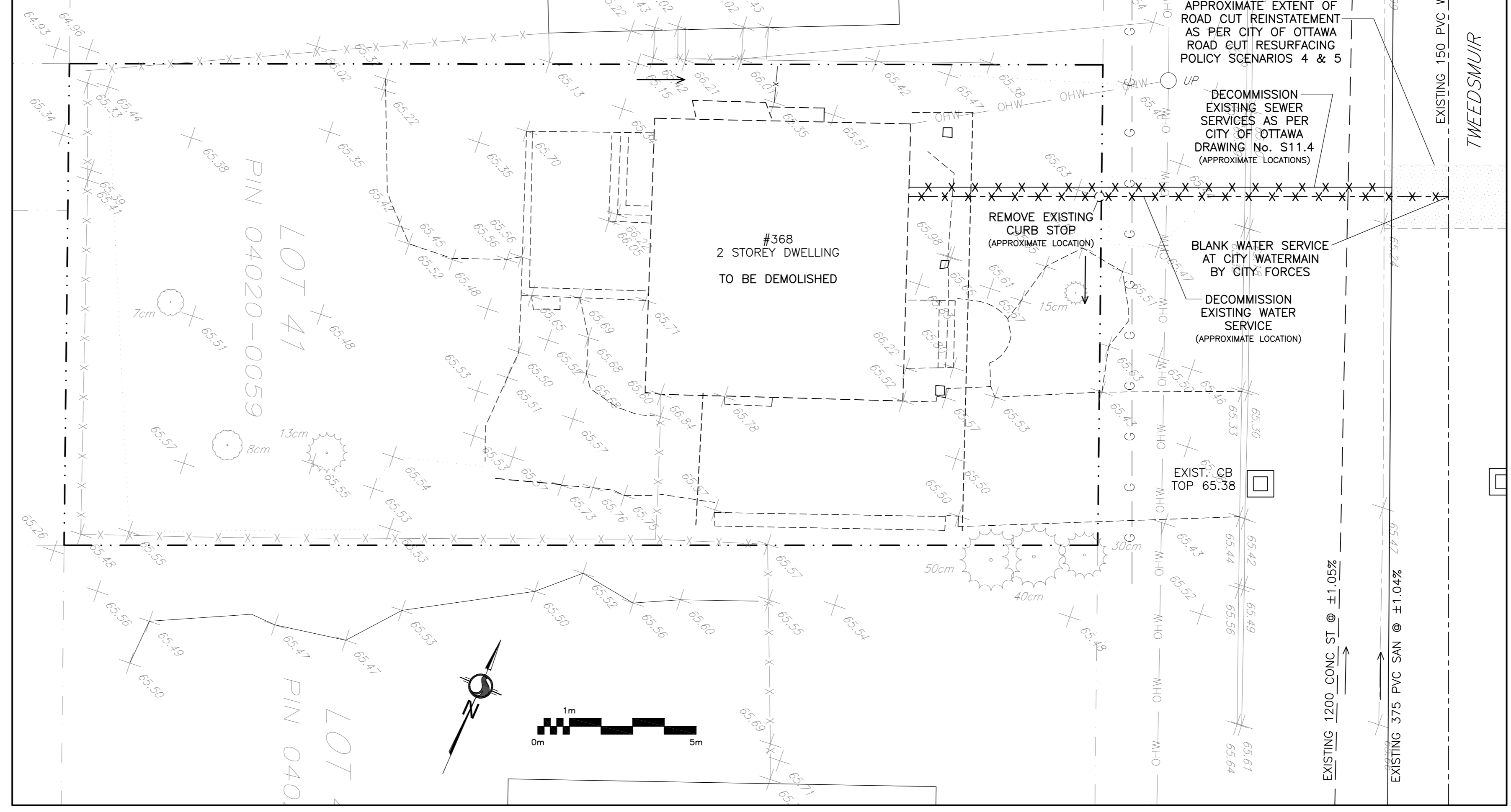
**APPROVED**  
By Andrew McCreight at 3:11 pm, May 17, 2023

REFER TO NOTES ON DRAWING C-3

### SITE SERVICING PLAN

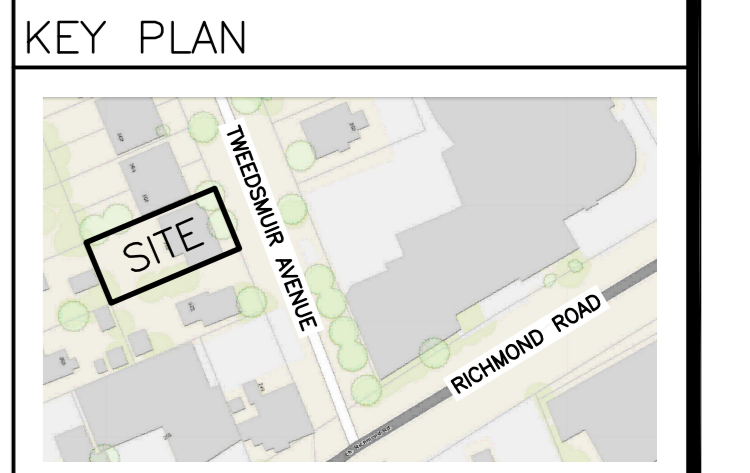


### EXISTING CONDITIONS, REMOVALS & DECOMMISSIONING PLAN



#### LEGEND

- FFL FINISHED FLOOR ELEVATION
- TOF TOP OF FOUNDATION
- BFL BASEMENT FLOOR ELEVATION
- USF UNDERSIDE OF FOOTING
- PROPERTY LINE
- CB CATCH-BASIN
- MH STORM MANHOLE
- MH SANITARY MANHOLE
- CS CURB STOP & STANDPOST
- SAN SANITARY SEWER
- ST STORM SEWER
- WS/WM WATER SERVICE/WATERMAIN
- OBV OBVERT OF PIPE
- SPL SPRINGLINE OF PIPE
- INV INVERT OF PIPE
- EXISTING GRADE ELEVATION

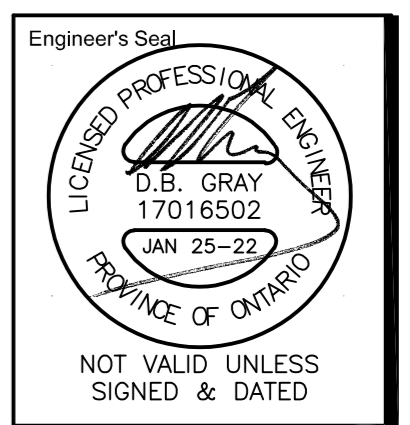


No.	DATE	REVISION
6	JAN 25-23	RE-ISSUED FOR APPROVAL
5	JAN 18-23	RE-ISSUED FOR APPROVAL
4	NOV 30-22	RE-ISSUED FOR APPROVAL
3	OCT 25-22	RE-ISSUED FOR APPROVAL
2	MAY 12-22	ISSUED FOR APPROVAL
1	APR 22-22	ISSUED FOR COORDINATION

**D. B. GRAY ENGINEERING INC.**  
Stormwater Management - Grading & Drainage - Storm & Sanitary Sewers - Watermain  
700 Long Point Circle 613-425-8044  
Ottawa, Ontario d.gray@dbgrayengineering.com

Project  
**PROPOSED 3.5-STOREY APARTMENT BUILDING**  
368 TWEEDSMUIR AVENUE  
OTTAWA, ONTARIO

Drawing Title  
**SITE SERVICING PLAN AND EXISTING CONDITIONS**



Drawn D.B.G.  
H. Scale 1:100  
V. Scale  
Date APR 22-22  
Job No. 22028

Drawing No.  
**C-1**  
of 3

#18770

D07-12-22-0087