

- LEGEND:
- PEDESTRIAN CONCRETE PAVING
 - VEHICULAR CONCRETE PAVING
 - ACCENT PAVING



No.	Revision	Date
2	ISSUED FOR SPA	20 APR, 2023
1	ISSUED FOR COORDINATION	14 APR, 2023

North:

Stamp:

CSW Landscape Architecture
 Urban Design
 Site Planning
 Recreation and Park Planning
 Project Management

319 McRae Avenue, Suite 502, Ottawa, Ontario, K1Z 0B9
 Tel: (613) 729-4536

- All measurements in millimeters unless specified otherwise. Do not scale drawing. All drawings to be read in conjunction with written specifications.
- Copyright reserved. This drawing is the exclusive property of CSW Landscape Architects Ltd. and shall not be used without the consent thereof.
- This Drawing may not be used for construction until signed by the landscape architect. It is the responsibility of the contractor to:
 - check and verify all dimensions on site;
 - report all errors and/or omissions to the landscape architect;
 - comply with all pertinent codes and by-laws;
 - check and verify locations of all underground services with all local utilities prior to any digging.

Project:

**CLV
360 LAURIER**

360 LAURIER STREET
OTTAWA, ONTARIO

Drawing:

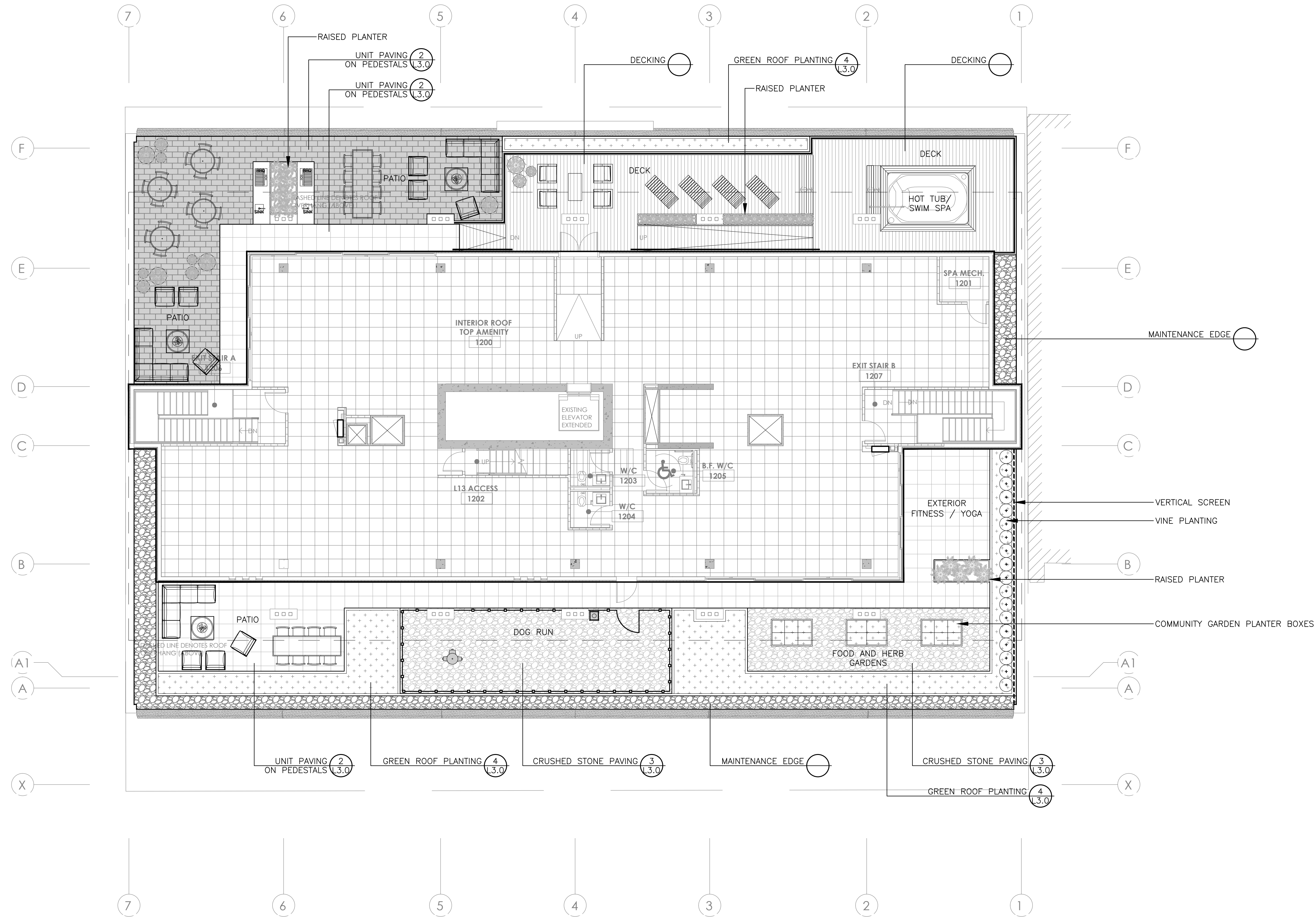
**LANDSCAPE PLAN
Ground Floor**

Scale:	1:100	Date:	MARCH 2023
Design By:	CM	Drawn By:	SW
Project Number:	2161-01	Sheet Number:	L1.0





- LEGEND:
- UNIT PAVERS - TYPE 1
 - UNIT PAVERS - TYPE 2
 - WOOD DECKING
 - GRAVEL PAVING
 - GREEN ROOF PLANTING
 - VERTICAL SCREEN
 - MAINTENANCE EDGE
 - FENCE



No.	Revision	Date
2	ISSUED FOR SPA	20 APR, 2023
1	ISSUED FOR COORDINATION	14 APR, 2023

North:

Stamp:

CSW Landscape Architecture
 Urban Design
 Site Planning
 Recreation and Park Planning
 Project Management

319 McRae Avenue, Suite 502, Ottawa, Ontario, K1Z 0B9
 Tel: (613) 729-4536

- All measurements in millimeters unless specified otherwise. Do not scale drawing. All drawings to be read in conjunction with written specifications.
- Copyright reserved. This drawing is the exclusive property of CSW Landscape Architects Ltd. and shall not be used without the consent thereof.
- This Drawing may not be used for construction until signed by the landscape architect. It is the responsibility of the contractor to:
 - check and verify all dimensions on site;
 - report all errors and/or omissions to the landscape architect;
 - comply with all pertinent codes and by-laws;
 - check and verify locations of all underground services with all local utilities prior to any digging.

Project:

**CLV
360 LAURIER**

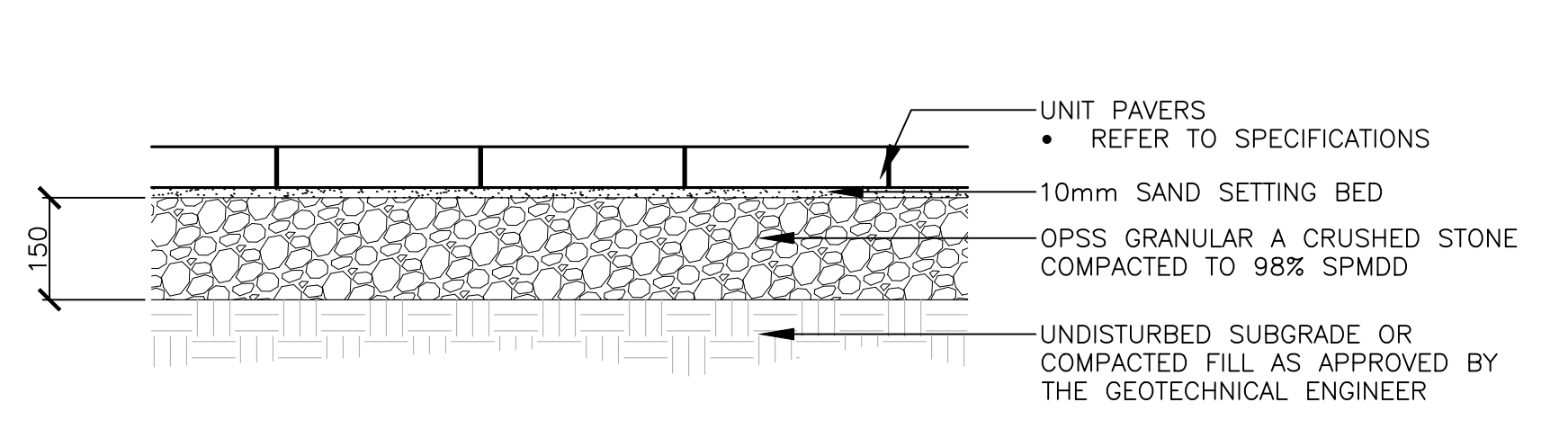
360 LAURIER STREET
OTTAWA, ONTARIO

Drawing:

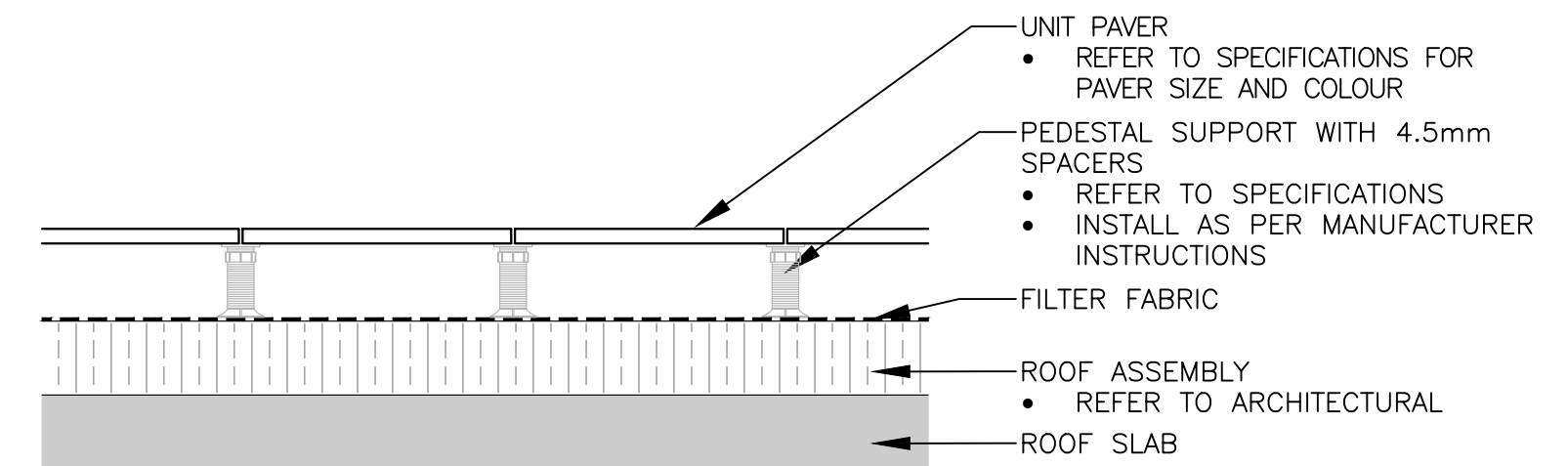
**LANDSCAPE PLAN
Roof Terrace**

Scale: 1:100	Date: MARCH 2023
Design By: CM	Drawn By: SW
Project Number: 2161-01	Sheet Number: L2.0

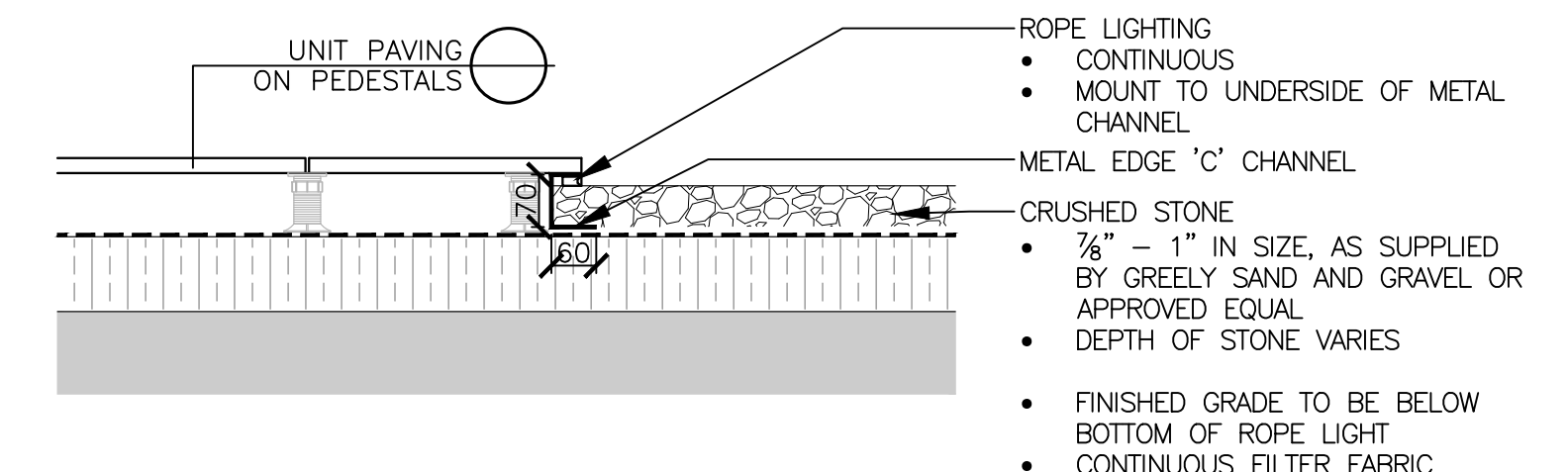




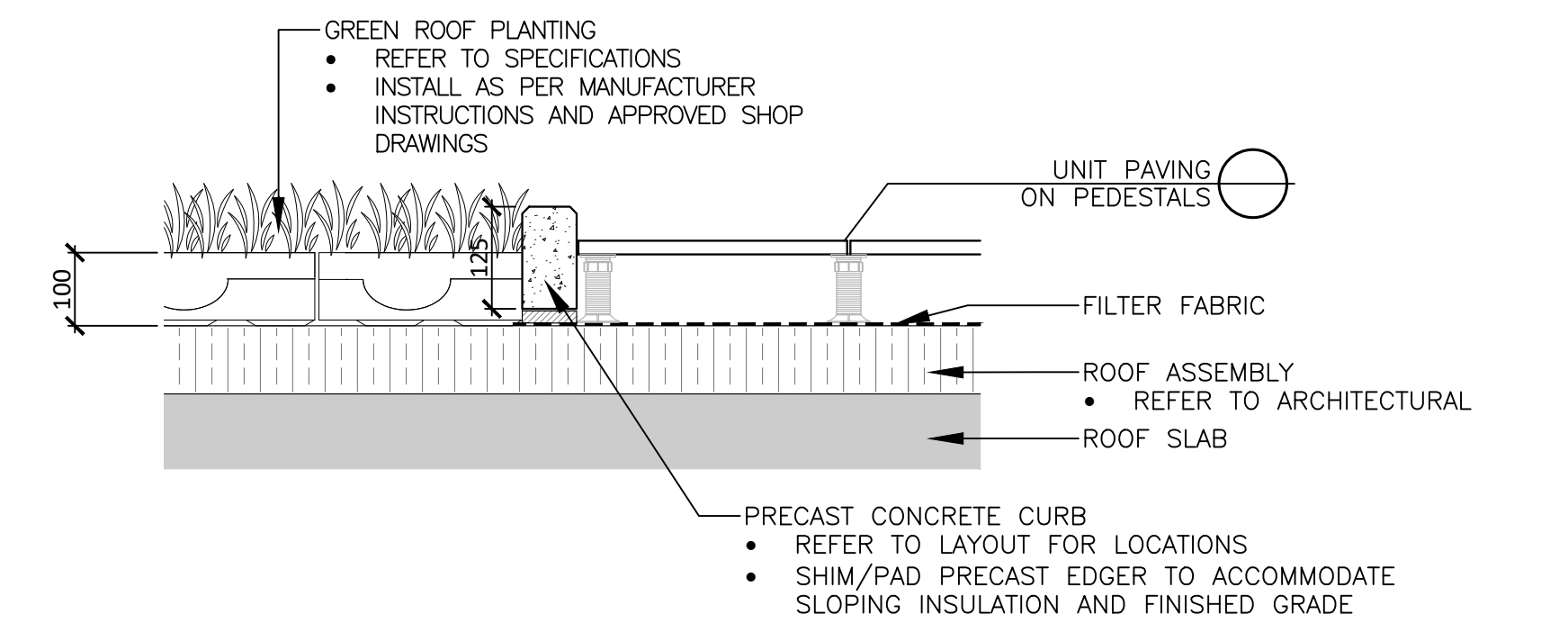
1 UNIT PAVING 1:10



2 UNIT PAVING ON PEDESTALS 1:10



3 CRUSHED STONE PAVING 1:10



4 GREEN ROOF PLANTING 1:10

5		
4		
3		
2	ISSUED FOR SPA	20 APR 2023
1	ISSUED FOR COORDINATION	14 APR 2023
No.	Revision	Date

North:	Stamp:
--------	--------

CSW Landscape Architecture
 Urban Design
 Site Planning
 Recreation and Park Planning
 Project Management

319 McRae Avenue, Suite 502, Ottawa, Ontario, K1Z 0B9
 Tel: (613) 729-4536

GENERAL NOTES:

- All measurements in millimeters unless specified otherwise. Do not scale drawing. All drawings to be read in conjunction with written specifications.
- Copyright reserved. This drawing is the exclusive property of CSW Landscape Architects Ltd. and shall not be used without the consent thereof.
- This Drawing may not be used for construction until signed by the landscape architect. It is the responsibility of the contractor to:
 - check and verify all dimensions on site;
 - report all errors and/or omissions to the landscape architect;
 - comply with all pertinent codes and by-laws;
 - check and verify locations of all underground services with all local utilities prior to any digging.

Project:
**CLV
 360 LAURIER**
 360 LAURIER STREET
 OTTAWA, ONTARIO

Drawing:
LANDSCAPE DETAILS

Scale:	Date:
AS NOTED	MARCH 2023
Design By:	Drawn By:
CM	SW
Project Number:	Sheet Number:
2161-01	L3.0