

**KEY PLAN**  
N.T.S.  
**LEGEND**  
SEE ABBREVIATIONS BELOW

**BENCHMARK:** ELEVATIONS ARE GEODETIC, IN METRES, AND DERIVED FROM THE CAN-NET VRS NETWORK MONUMENT: OTTAWA  
ELEVATION=95.230

**BEARING:** BEARINGS ARE GRID. DERIVED FROM THE CAN-NET VRS NETWORK OBSERVATIONS ON NCC HORZ CONTROL MONUMENTS 19773035 & 19680191, CENTRAL MERIDIAN, 76°30' W LONGITUDE MTM ZONE 9

**SITE PLAN:** KPMG, PERKINS & WILL

**SURVEY:** STANTEC GEOMATICS LTD., 220324

5			
4			
3			
2	ISSUED FOR REVIEW	230210	E.C.B.
1	ISSUED FOR REVIEW	221205	E.C.B.
NO.	ISSUE	DATE	BY

**DRAWING NOTES NOT FOR CONSTRUCTION**

- THIS DRAWING IS THE EXCLUSIVE PROPERTY OF THE MUNICIPAL INFRASTRUCTURE GROUP LTD (TMIG). THE REPRODUCTION OF ANY PART WITHOUT PRIOR WRITTEN CONSENT FROM TMIG IS STRICTLY PROHIBITED.
- THIS DRAWING IS TO BE READ AND UNDERSTOOD IN CONJUNCTION WITH ALL OTHER DRAWINGS AND DOCUMENTS APPLICABLE TO THIS PROJECT.
- THIS DRAWING IS NOT TO BE ISSUED FOR CONSTRUCTION UNTIL ALL REQUIRED PERMITS HAVE BEEN ISSUED.
- THE CONTRACTOR SHALL VERIFY ALL DIMENSIONS, ELEVATIONS, INVERTS AND DATA ON SITE AND REPORT ANY DISCREPANCIES OR OMISSIONS TO TMIG 48 HOURS PRIOR TO ANY CONSTRUCTION.

ABBREVIATIONS		TW = TOP OF WALL	HPDE = HIGH DENSITY POLYETHYLENE
GENERAL:		BW = BOTTOM OF WALL	CONC = CONCRETE
PROP = PROPOSED	SERVICING:		MH = MAINTENANCE HOLE
EX = EXISTING	STM = STORM		CB = CATCH BASIN
	SAN = SANITARY		DCB = DOUBLE CATCH BASIN
ELEVATIONS:	WAT = WATER		AD = AREA DRAIN
TC = TOP OF CURB	PVC = POLYVINYL CHLORIDE		TD = TRENCH DRAIN
BC = BOTTOM OF CURB			

**GENERAL NOTES:**

- DESIGN CODE**  
CSA-S6-19
- UNITS**  
DIMENSIONS ARE IN mm.
- SPECIFICATIONS**  
ONTARIO PROVINCIAL STANDARD SPECIFICATION:  
904 - CONCRETE STRUCTURE  
905 - STEEL REINFORCEMENT FOR CONCRETE  
919 - FORMWORK AND FLASEWORK  
929 - ABRASIVE BLAST CLEANING - CONCRETE CONSTRUCTION  
930 - STRUCTURAL REHABILITATION - CONCRETE PATCHES AND OVERLAYS  
1002 - AGGREGATES - CONCRETE  
1301 - CEMENTING MATERIALS  
1302 - WATER  
1303 - ADMIXTURES FOR CONCRETE  
1440 - STEEL REINFORCEMENT FOR CONCRETE

CITY OF OTTAWA SPECIAL PROVISION:  
F-9040 CONCRETE STRUCTURES  
F-9043 CEMENTING MATERIALS  
F-9045 CONCRETE - MATERIALS AND PRODUCTION

**CLASS OF CONCRETE**  
CLASS OF CONCRETE SHALL BE IN ACCORDANCE WITH CSA A23.1.

COMPONENT	28 DAYS COMPRESSIVE STRENGTH	EXPOSURE CLASS
SIDEWALK	35 MPa	C-1

THE RAPID CHLORINE PERMEABILITY OF CONCRETE SHALL NOT EXCEED 1000 COULOMBS AT 90 DAYS.

**5. CLEAR COVER TO REINFORCEMENT BAR**  
SIDEWALK 70mm ±20

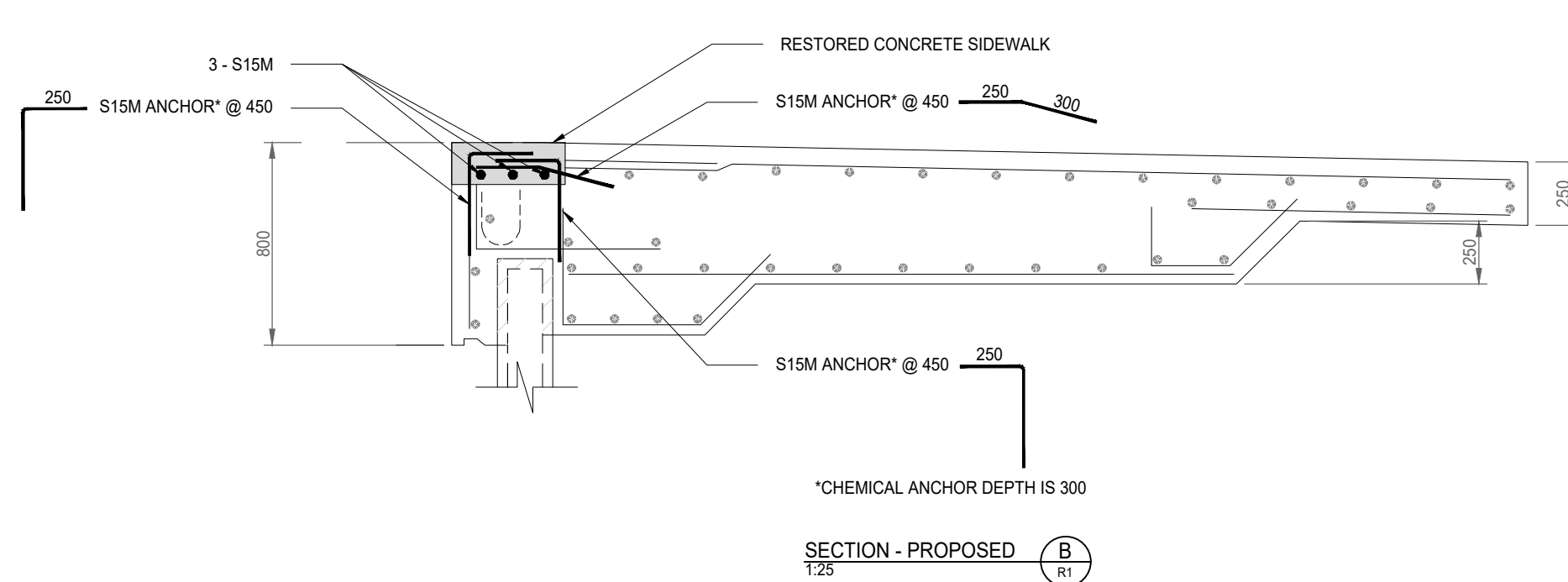
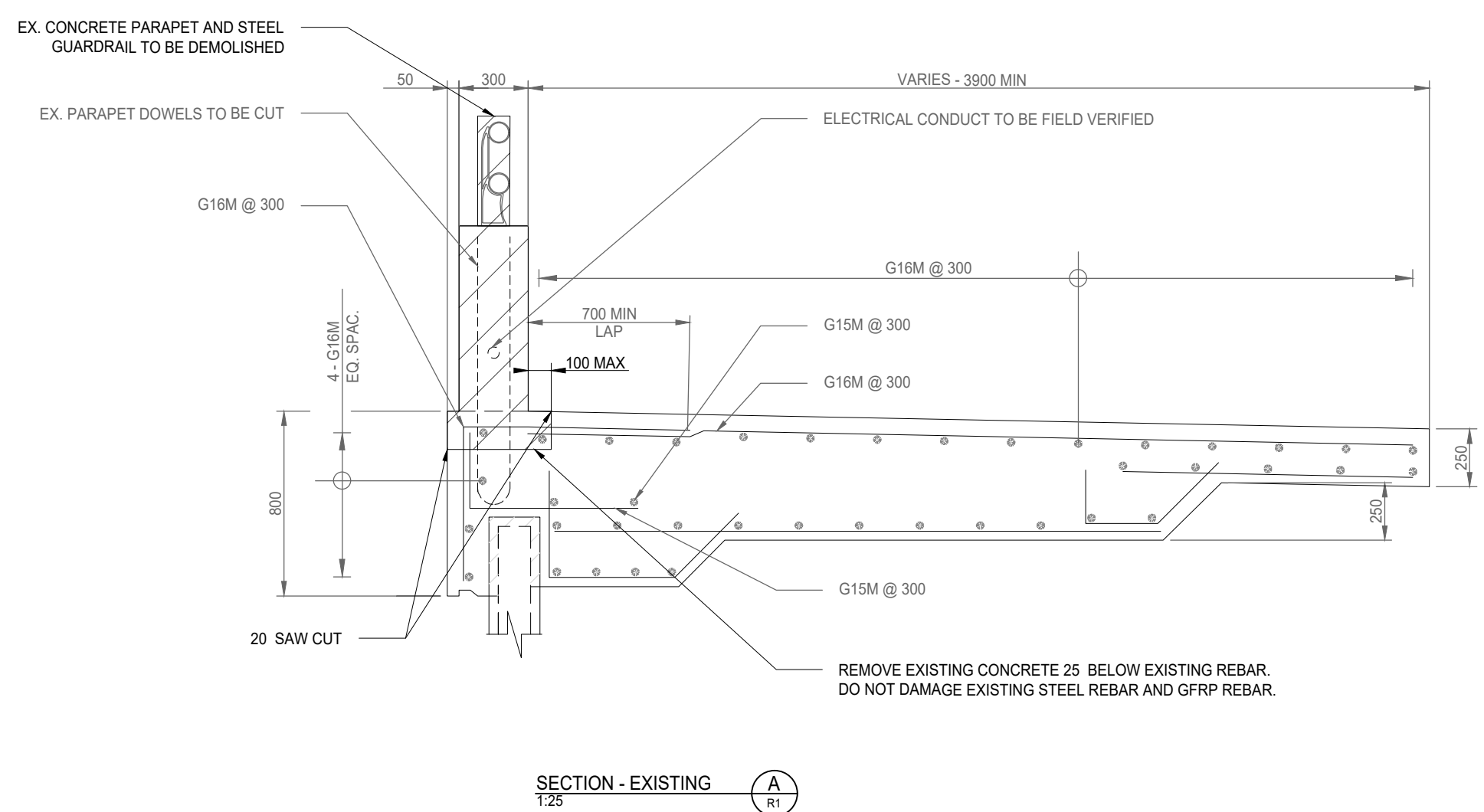
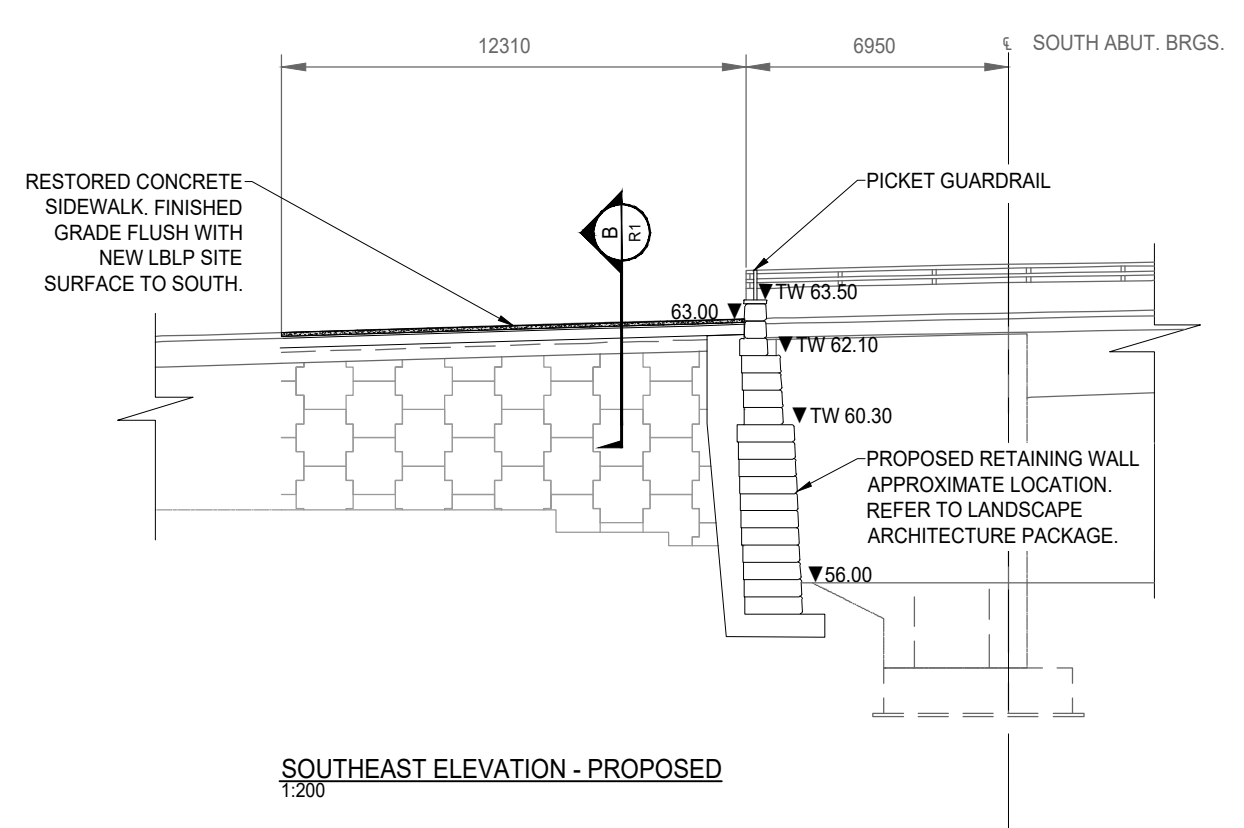
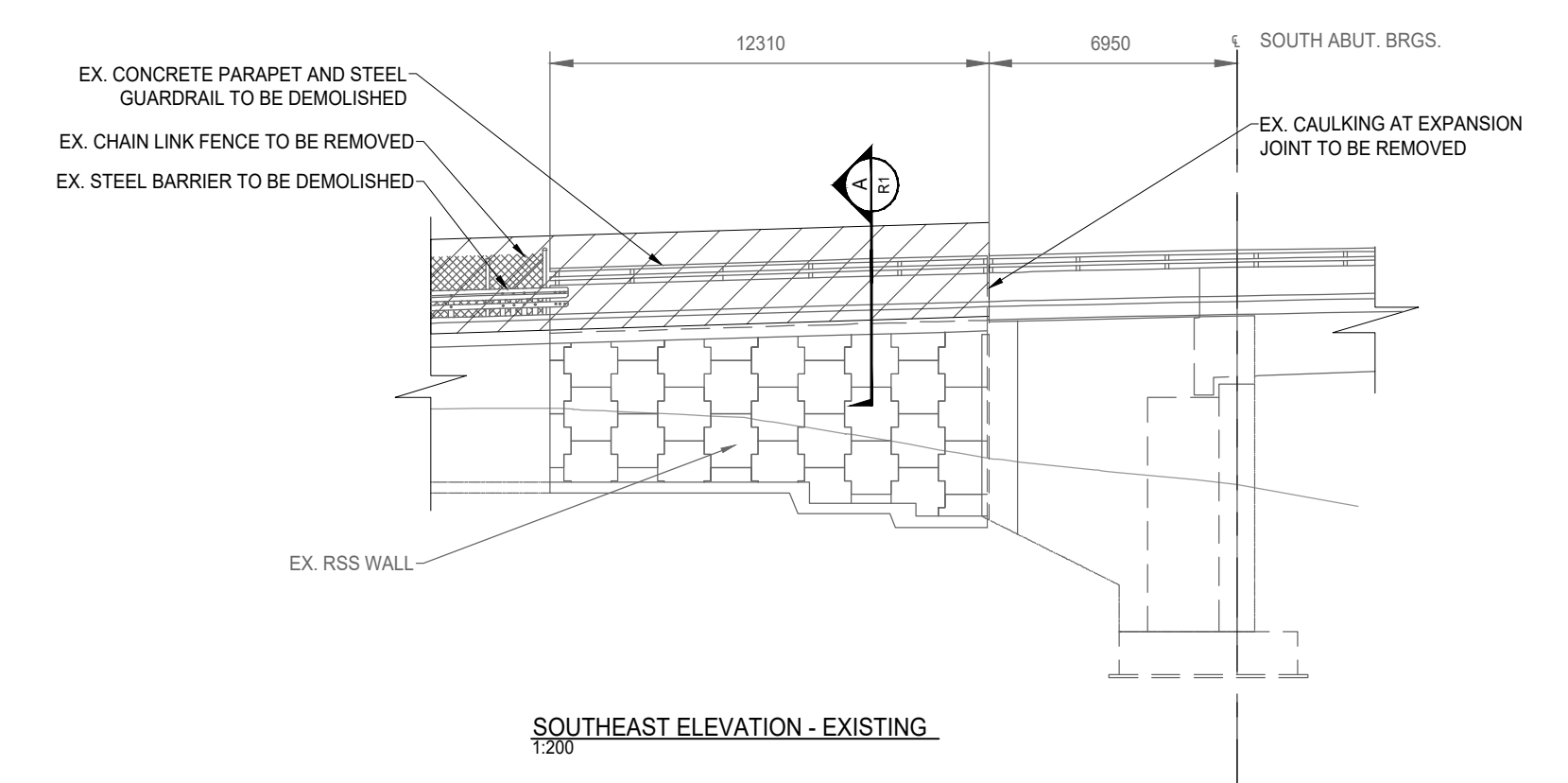
**6. REINFORCEMENT BAR**  
EXISTING BAR MARKS WITH THE PREFIX 'G' DENOTE GFRP BAR.

NEW BAR MARKS WITH THE PREFIX 'S' DENOTE STAINLESS STEEL BAR TYPE 316LN OR DUPLEX 2205 (420MPa).

**7. CONSTRUCTION NOTES**  
ALL MATERIALS SHALL BE IN ACCORDANCE WITH MTO DESIGNATED SOURCES FOR MATERIALS.

**8. REFERENCE DRAWINGS**  
AS-BUILD DRAWINGS REM-27-1-BSBR-DRD.

SCALE: NTS	PROJECT #
DATE: APRIL 2022	10399
DRAWN BY: A.N.	DRAWING #
DESIGNED BY: E.C.B.	R1
CHECKED BY: B.W.	



File: G:\Projects\2022\10399 - Dream - LeBreton Library Parapet Removal - Layout - R1 - Date: Feb 10, 2023 - 11:43am. ESB By: angela.soon