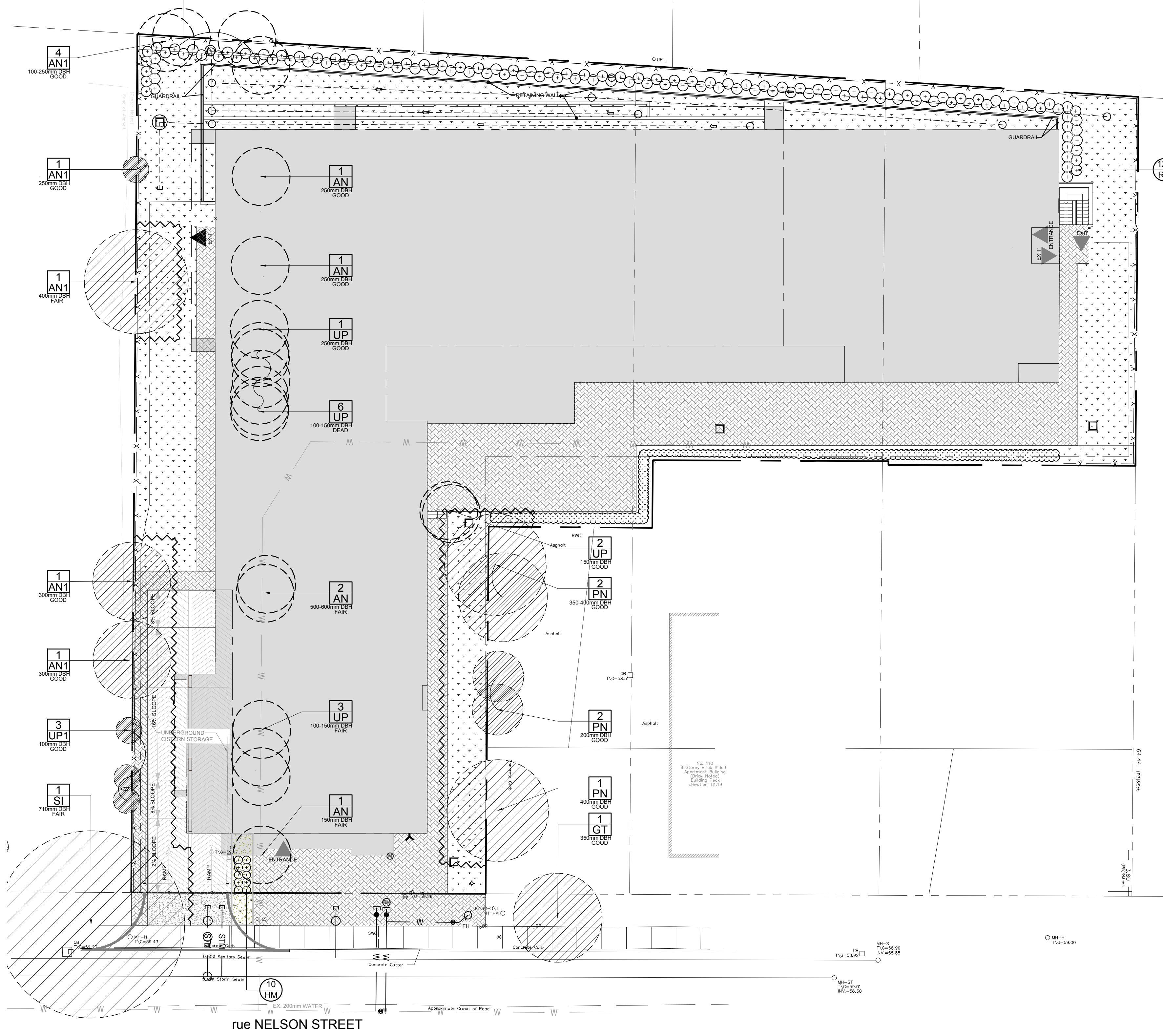


| EXISTING TREE LIST |     |                       |                |               |           |           |                              |
|--------------------|-----|-----------------------|----------------|---------------|-----------|-----------|------------------------------|
| KEY                | QTY | BOTANICAL NAME        | COMMON NAME    | SIZE          | CONDITION | REMARKS   | OWNERSHIP                    |
| <b>TREES</b>       |     |                       |                |               |           |           |                              |
| AN                 | 5   | Acer negundo          | Manitoba Maple | 150-600mm DBH | FAIR-GOOD | See plan  | 112-134 Nelson Street        |
| AN1                | 8   | Acer negundo          | Manitoba Maple | 100-400mm DBH | FAIR-GOOD | See plan  | Joint with 140 Nelson Street |
| GT                 | 1   | Gleditsia triacanthos | Honey Locust   | 350mm DBH     | GOOD      | To remain | City of Ottawa               |
| PN                 | 5   | Pinus nigra           | Austrian Pine  | 200-400mm DBH | FAIR-GOOD | To remain | 110 Nelson Street            |
| UP                 | 12  | Ulmus pumila          | Siberian Elm   | 100-250mm DBH | DEAD-GOOD | See plan  | 112-134 Nelson Street        |
| UP1                | 3   | Ulmus pumila          | Siberian Elm   | 100mm DBH     | GOOD      | To remain | 140 Nelson Street            |
| SI                 | 1   | Acer saccharinum      | Silver Maple   | 710mm DBH     | FAIR      | To remain | City of Ottawa               |

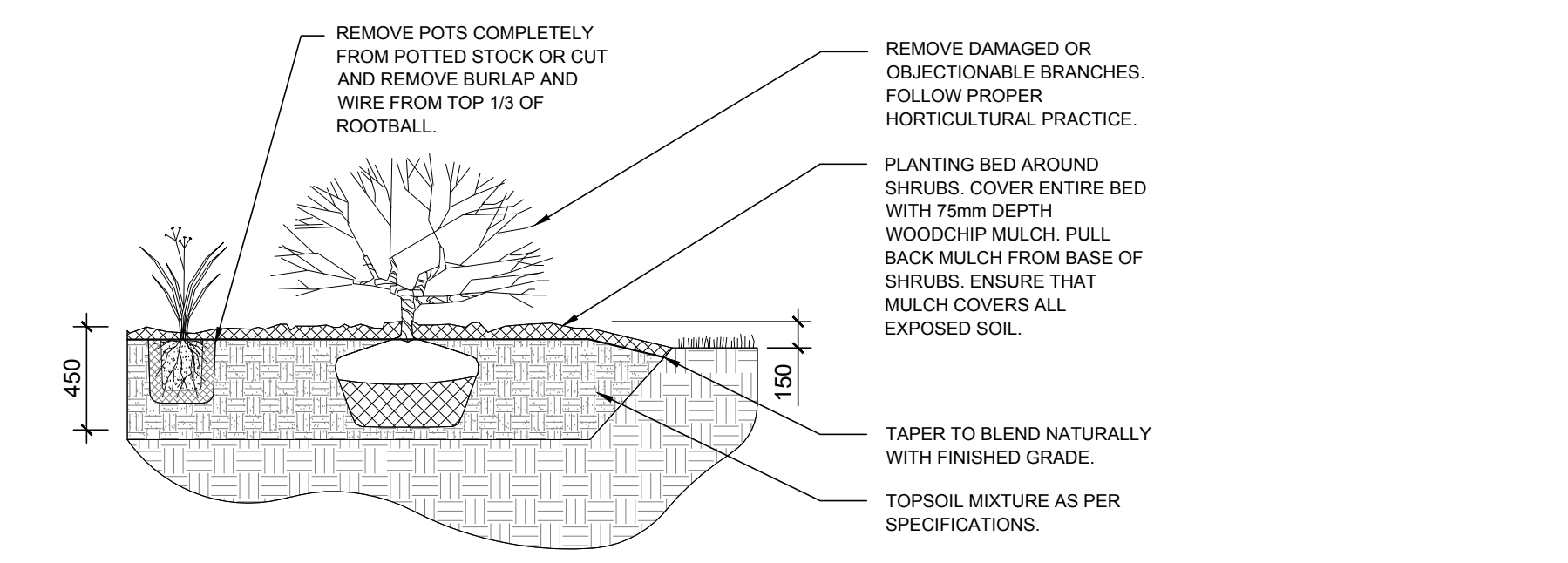
  

| PROPOSED PLANT LIST                    |     |                                |                          |           |           |             |  |
|--|-----|--------------------------------|--------------------------|-----------|-----------|-------------|--|
| KEY                                    | QTY | BOTANICAL NAME                 | COMMON NAME              | SIZE      | CONDITION | REMARKS     |  |
| <b>SHRUBS &amp; ORNAMENTAL GRASSES</b> |     |                                |                          |           |           |             |  |
| HM                                     | 10  | Panicum virgatum 'Heavy Metal' | Heavy Metal Switch Grass | 250mm pot | Potted    | 800 mm o.c. |  |
| RR                                     | 127 | Rosa rugosa                    | Rugosa Rose              | 800mm ht. | Potted    | 800 mm o.c. |  |

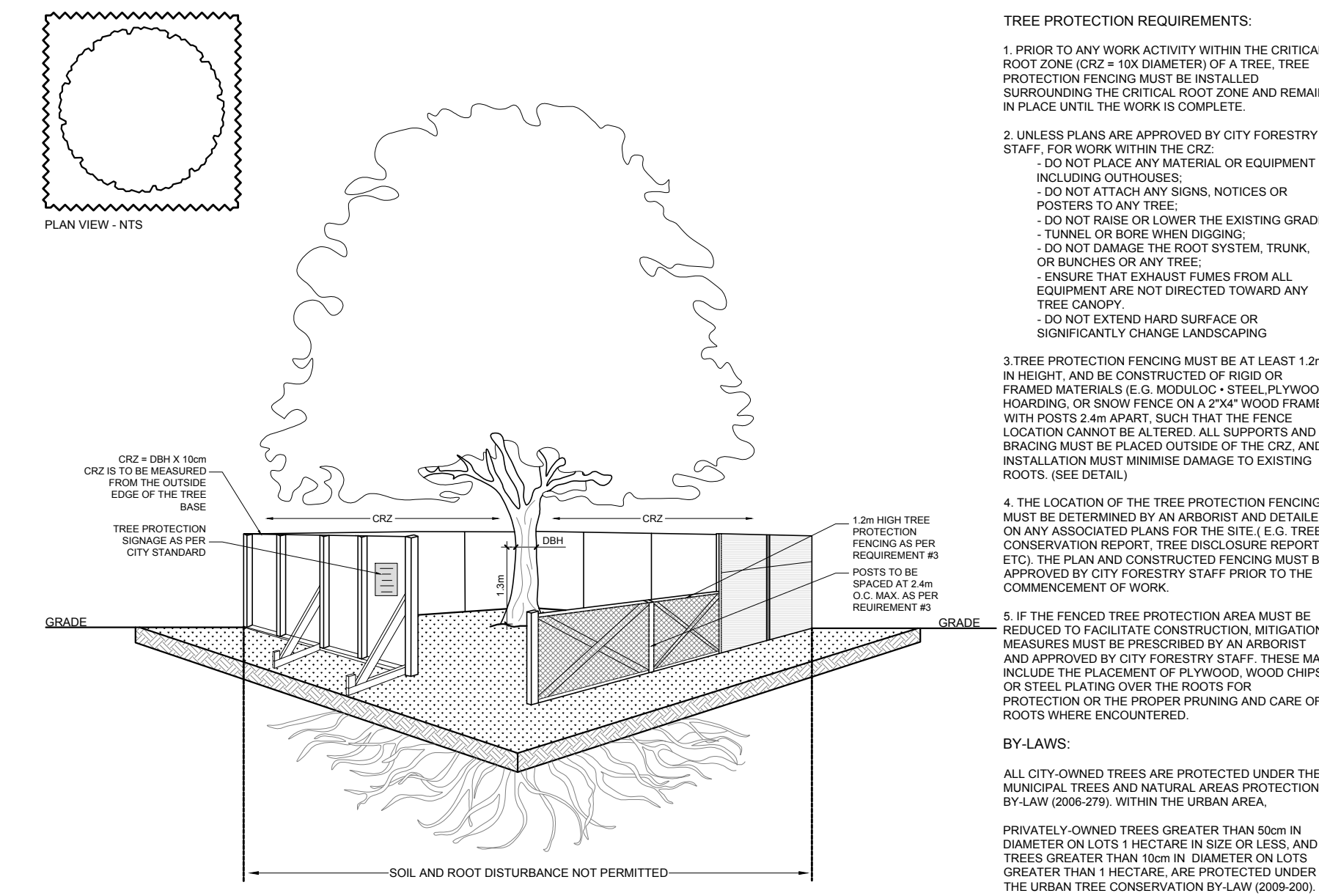
- GENERAL NOTES:**
- It is the responsibility of the appropriate contractor or official to report any errors, omissions or discrepancies on this plan with actual site conditions to the Landscape Architect before proceeding with construction.
  - The contractor is to notify all utility companies and authorities prior to any excavation and ascertain locations of underground services.
  - The contractor is to reinstate all areas and items damaged as a result of construction activity.
  - The contractor is to comply with all pertinent codes and by-laws.
  - The contractor is to maintain a positive surface run-off throughout the entire construction period.
  - The Landscape Architect is not responsible for subsurface conditions.
  - The contractor is to identify all existing trees to remain on site with the Landscape Architect prior to construction.
  - The contractor is to stake the proposed location of all plant material in conjunction with the Landscape Architect prior to excavation.
  - Minimum distances for selected deciduous trees are as follows:
    - Building Foundations 7.5m
    - Sidewalks 1.5m
    - Public Streets 2.5m
    - Underground Infrastructure 2.0m
  - All trees within 1m of underground utility trenches are to be excavated by hand.
  - Remove all protective wrapping from tree trunks after installation.
  - Staking of trees shall only be performed if necessary.
  - Ensure that mulch is pulled back a min. distance of 75mm from base of tree trunk.



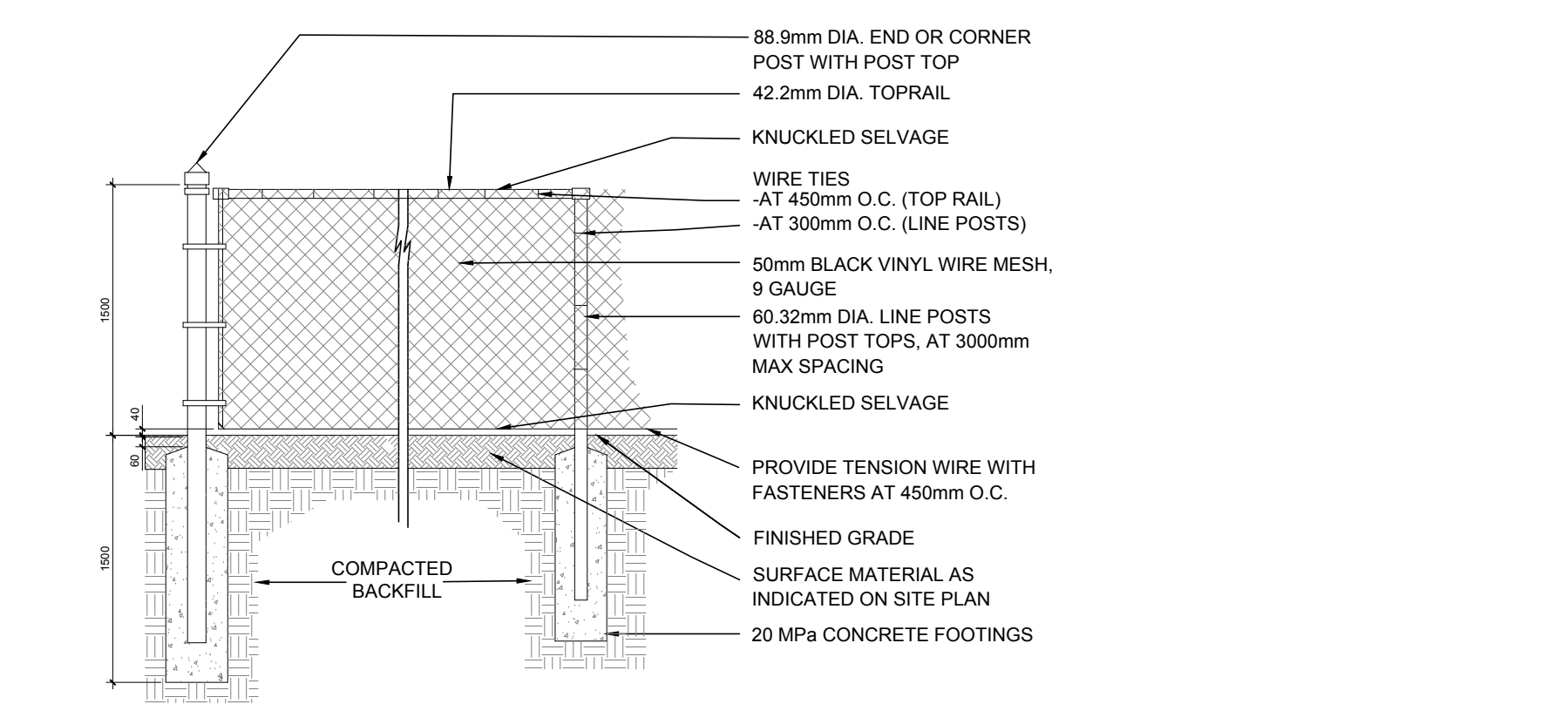
**1 TREE CONSERVATION REPORT & LANDSCAPE PLAN**  
 L.1 SCALE 1:200



**2 SHRUB AND ORNAMENTAL GRASS PLANTING**  
 SCALE: NTS



**3 TREE PROTECTION FENCE**  
 SCALE: NTS



**4 1500mm ht. BLACK VINYL CHAIN LINK FENCE**  
 SCALE: NTS

**TREE PROTECTION REQUIREMENTS:**

- PRIOR TO ANY WORK ACTIVITY WITHIN THE CRITICAL ROOT ZONE (CRZ = 10x DIAMETER OF A TREE, TREE PROTECTION FENCING MUST BE INSTALLED SURROUNDING THE CRITICAL ROOT ZONE AND REMAIN IN PLACE UNTIL THE WORK IS COMPLETE.
  - DO NOT PLACE ANY MATERIAL OR EQUIPMENT INCLUDING OUTHOUSES;
  - DO NOT ATTACH ANY SIGNS, NOTICES OR POSTERS TO ANY TREE;
  - DO NOT RAISE OR LOWER THE EXISTING GRADE; TUNNEL OR BORE WHEN DIGGING;
  - DO NOT DAMAGE THE ROOT SYSTEM, TRUNK, OR BRANCHES OF ANY TREE;
  - ENSURE THAT EXHAUST FUMES FROM ALL EQUIPMENT ARE NOT DIRECTED TOWARD ANY TREE CANOPY;
  - DO NOT EXTEND HARD SURFACE OR SIGNIFICANTLY CHANGE LANDSCAPING.
- UNLESS PLANS ARE APPROVED BY CITY FORESTRY STAFF, FOR WORK WITHIN THE CRZ:
  - DO NOT PLACE ANY MATERIAL OR EQUIPMENT INCLUDING OUTHOUSES;
  - DO NOT ATTACH ANY SIGNS, NOTICES OR POSTERS TO ANY TREE;
  - DO NOT RAISE OR LOWER THE EXISTING GRADE; TUNNEL OR BORE WHEN DIGGING;
  - DO NOT DAMAGE THE ROOT SYSTEM, TRUNK, OR BRANCHES OF ANY TREE;
  - ENSURE THAT EXHAUST FUMES FROM ALL EQUIPMENT ARE NOT DIRECTED TOWARD ANY TREE CANOPY;
  - DO NOT EXTEND HARD SURFACE OR SIGNIFICANTLY CHANGE LANDSCAPING.
- TREE PROTECTION FENCING MUST BE AT LEAST 1.2m IN HEIGHT, AND BE CONSTRUCTED OF RIGID OR FRAMED MATERIALS (E.G. MODULOC-STEEL OR WOOD HOARDING, OR SNOW FENCE ON A 2"x4" WOOD FRAME) WITH POSTS 2.0m APART. SUCH THAT THE FENCE LOCATION CANNOT BE ALTERED. ALL SUPPORTS AND BRACING MUST BE PLACED OUTSIDE OF THE CRZ, AND INSTALLATION MUST MINIMIZE DAMAGE TO EXISTING ROOTS. (SEE DETAIL).
- THE LOCATION OF THE TREE PROTECTION FENCING MUST BE DETERMINED BY AN ARBORIST AND DETAILED ON ANY ASSOCIATED PLANS FOR THE SITE (E.G. TREE CONSERVATION REPORT, TREE DISCUSSION REPORT, ETC). THE PLAN AND CONSTRUCTED FENCING MUST BE APPROVED BY CITY FORESTRY STAFF PRIOR TO THE COMMENCEMENT OF WORK.
- IF THE FENCED TREE PROTECTION AREA MUST BE REDUCED TO FACILITATE CONSTRUCTION, MITIGATION MEASURES MUST BE PRESCRIBED BY AN ARBORIST AND APPROVED BY CITY FORESTRY STAFF. THESE MAY INCLUDE THE PLACEMENT OF PLYWOOD, WOOD CHIPS OR STEEL PLATING OVER THE ROOTS FOR PROTECTION OR THE PROPER PRUNING AND CARE OF ROOTS WHERE ENCOUNTERED.

**BY-LAWS:**

ALL CITY-OWNED TREES ARE PROTECTED UNDER THE MUNICIPAL TREES AND NATURAL AREAS PROTECTION BY-LAW (2006-279), WITHIN THE URBAN AREA.

PRIVATELY-OWNED TREES GREATER THAN 80cm IN DIAMETER ON LOTS 1 HECTARE IN SIZE OR LESS, AND TREES GREATER THAN 10cm IN DIAMETER ON LOTS GREATER THAN 1 HECTARE ARE PROTECTED UNDER THE URBAN TREE CONSERVATION BY-LAW (2009-200).

CLIENT

SMART LIVING PROPERTIES

CONSULTANTS

ARCHITECTS:

**WOODMAN ARCHITECT & ASSOCIATES LTD.**

SURVEYORS:

ANNIS, O'SULLIVAN, VOLLEBEKK LTD.

14 Concourse Gate, Suite 500  
 Nepean, Ont. K2E 7S9  
 Phone: (613) 727-0850 / Fax: (613) 727-1079

CIVIL ENGINEERS:

**wsp**

300-3811 QUEENSWAY DRIVE  
 OTTAWA, ONTARIO, CANADA K2B 9K2  
 TEL: 1-416-299-2800 (FAX: 1-416-299-5299) WWW.WSPGROUP.COM

**LEGEND**

- EXISTING TREE TO REMAIN
- EXISTING TREE TO BE REMOVED
- PROPOSED PLANTING AS PER OWNER'S DISCRETION
- PROPOSED UNIT CONCRETE PAVERS
- PROPOSED 1500mm ht. BLACK VINYL CHAIN LINK FENCE
- PROPOSED TREE PROTECTION FENCE
- PROPOSED SHRUBS / ORNAMENTAL GRASSES
- PROPOSED SOD

| No. | Issue                          | Date       | By | DR. | CK. |
|-----|--------------------------------|------------|----|-----|-----|
| 6   | REVISED PER NEW CIVIL PLAN     | 02/22/2023 | WF | JL  |     |
| 5   | REVISED PER NEW SITE PLAN      | 02/06/2023 | ML | JL  |     |
| 4   | REVISED PER NEW SITE PLAN      | 01/27/2023 | ML | JL  |     |
| 3   | REVISED PER NEW SITE PLAN      | 01/18/2023 | ML | JL  |     |
| 2   | ISSUED FOR COMMENTS AND REVIEW | 08/27/2021 | LC | JL  |     |
| 1   | ISSUED FOR COMMENTS AND REVIEW | 08/19/2021 | LC | JL  |     |

No. Issue Date By DR. CK.

**JAMES B. LENNOX & ASSOCIATES INC. LANDSCAPE ARCHITECTS**

3332 CARLING AVE. OTTAWA, ONTARIO K2H 5A8  
 Tel. (613) 722-5168 Fax. (613) 722-5168

PROJECT

112-134 NELSON STREET REDEVELOPMENT  
 112-134 NELSON STREET, OTTAWA ON

DRAWING

TREE CONSERVATION REPORT & LANDSCAPE PLAN

STAMP

ASSOCIATION OF LANDSCAPE ARCHITECTS OF ONTARIO

SCALE

AS SHOWN

START DATE

JULY 2021

PROJECT NO.

20-SMT-2175

DRAWING NO.

**L.1**

PLOT SIZE ARCH-D

D02-02-21-0076