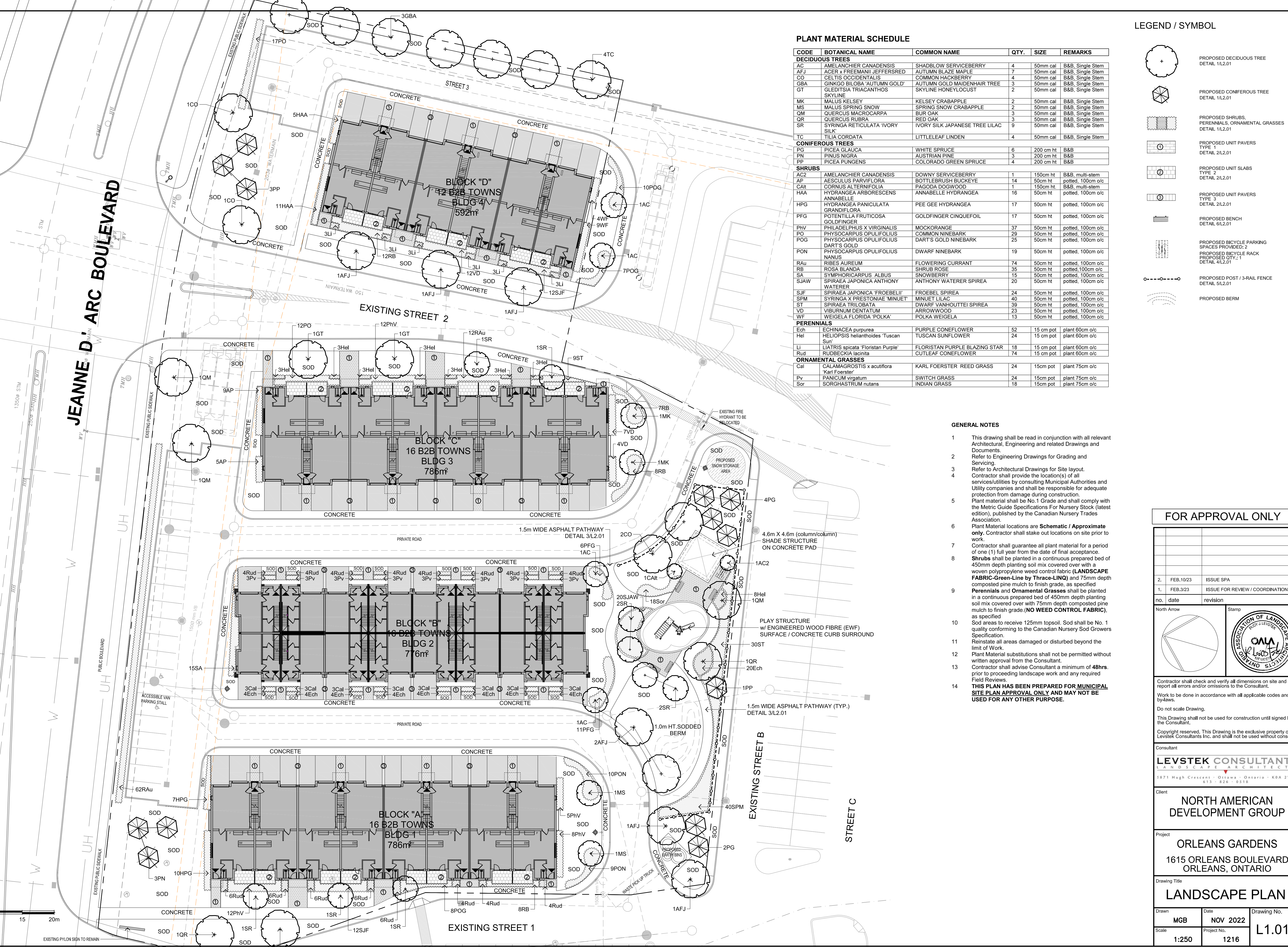


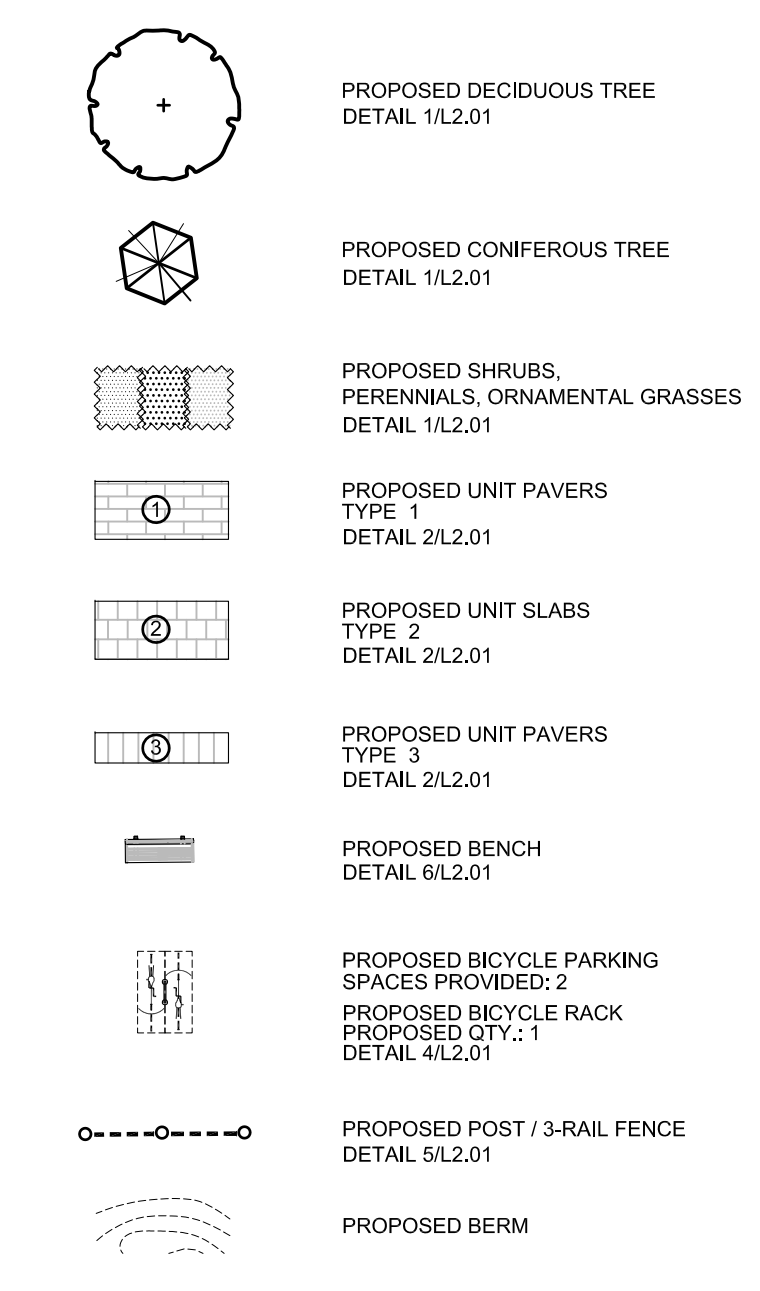
**JEANNE D'ARC BOULEVARD**



**PLANT MATERIAL SCHEDULE**

CODE	BOTANICAL NAME	COMMON NAME	QTY.	SIZE	REMARKS
<b>DECIDUOUS TREES</b>					
AC	AMELANCHIER CANADENSIS	SHADBLow SERVICEBERRY	4	50mm cal	B&B, Single Stem
AFJ	ACER x FREEMANI JEFFERSRED	AUTUMN BLAZE MAPLE	7	50mm cal	B&B, Single Stem
CO	CELTIS OCCIDENTALIS	COMMON HACKBERRY	4	50mm cal	B&B, Single Stem
GBA	GINKGO BILOBA 'AUTUMN GOLD'	AUTUMN GOLD MAIDENHAIR TREE	3	50mm cal	B&B, Single Stem
GT	GLEDITSIA TRIACANTHOS	SKYLINE HONEYLOCUST	2	50mm cal	B&B, Single Stem
MK	MALUS KELSEY	KELSEY CRABAPPLE	2	50mm cal	B&B, Single Stem
MS	MALUS SPRING SNOW	SPRING SNOW CRABAPPLE	2	50mm cal	B&B, Single Stem
QM	QUERCUS MACROCARPA	BUR OAK	3	50mm cal	B&B, Single Stem
QR	QUERCUS RUBRA	RED OAK	3	50mm cal	B&B, Single Stem
SR	SYRINGA RETICULATA 'IVORY SILK'	IVORY SILK JAPANESE TREE LILAC	9	50mm cal	B&B, Single Stem
TC	TILIA CORDATA	LITTLELEAF LINDEN	4	50mm cal	B&B, Single Stem
<b>CONIFEROUS TREES</b>					
PG	PICEA GLAUCAL	WHITE SPRUCE	6	200 cm ht	B&B
PN	PINUS NIGRA	AUSTRIAN PINE	3	200 cm ht	B&B
PP	PICEA PUNGENS	COLORADO GREEN SPRUCE	4	200 cm ht	B&B
<b>SHRUBS</b>					
AC2	AMELANCHIER CANADENSIS	DOWNY SERVICEBERRY	1	150cm ht	B&B, multi-stem
AP	AESCULUS PARVIFLORA	BOTTLEBRUSH BUCKEYE	14	50cm ht	potted, 100cm o/c
CAI	CORNUS ALTERNIFOLIA	PAGODA DOGWOOD	1	150cm ht	B&B, multi-stem
HAA	HYDRANGEA ARBORESCENS ANNABELLE	ANNABELLE HYDRANGEA	16	50cm ht	potted, 100cm o/c
HPG	HYDRANGEA PANICULATA GRANDIFLORA	PEE GEE HYDRANGEA	17	50cm ht	potted, 100cm o/c
PFG	POTENTILLA FRUTICOSA GOLDFINGER	GOLDFINGER CINQUEFOIL	17	50cm ht	potted, 100cm o/c
PHV	PHILADELPHUS X VIRGINALIS	MOCKORANGE	37	50cm ht	potted, 100cm o/c
PO	PHYSOCARPUS OPULIFOLIUS	COMMON NINEBARK	29	50cm ht	potted, 100cm o/c
POG	PHYSOCARPUS OPULIFOLIUS DART'S GOLD	DART'S GOLD NINEBARK	25	50cm ht	potted, 100cm o/c
PON	PHYSOCARPUS OPULIFOLIUS NANUS	DWARF NINEBARK	19	50cm ht	potted, 100cm o/c
RAu	RIBES AUREUM	FLOWERING CURRANT	74	50cm ht	potted, 100cm o/c
RB	ROSA BLANDA	SHRUB ROSE	35	50cm ht	potted, 100cm o/c
SA	SYMPHORICARPUS ALBUS	SNOWBERRY	15	50cm ht	potted, 100cm o/c
SJAW	SPIRAEA JAPONICA ANTHONY WATERER	ANTHONY WATERER SPIREA	20	50cm ht	potted, 100cm o/c
SJF	SPIRAEA JAPONICA 'FROEBELI'	FROEBEL SPIREA	24	50cm ht	potted, 100cm o/c
SPM	SYRINGA X PRESTONIAE 'MINUET'	MINUET LILAC	40	50cm ht	potted, 100cm o/c
ST	SPIRAEA TRILOBATA	DWARF VANHOUTEI SPIREA	39	50cm ht	potted, 100cm o/c
VD	VIBURNUM DENTATUM	ARROWWOOD	23	50cm ht	potted, 100cm o/c
WF	WEIGELA FLORIDA 'POLKA'	POLKA WEIGELA	13	50cm ht	potted, 100cm o/c
<b>PERENNIALS</b>					
Ech	ECHINACEA purpurea	PURPLE CONEFLOWER	52	15 cm pot	plant 60cm o/c
Hel	HELIOPSIS helianthoides 'Tuscan Sun'	TUSCAN SUNFLOWER	24	15 cm pot	plant 60cm o/c
LI	LIATRIS spicata 'Floristan Purple'	FLORISTAN PURPLE BLAZING STAR	18	15 cm pot	plant 60cm o/c
Rud	RUDEBECKIA laciniata	CUTLEAF CONEFLOWER	74	15 cm pot	plant 60cm o/c
<b>ORNAMENTAL GRASSES</b>					
Cal	CALAMAGROSTIS x acutiflora 'Karl Foerster'	KARL FOERSTER REED GRASS	24	15cm pot	plant 75cm o/c
Pv	PANICUM virgatum	SWITCH GRASS	24	15cm pot	plant 75cm o/c
Sor	SORGHASTRUM nutans	INDIAN GRASS	18	15cm pot	plant 75cm o/c

**LEGEND / SYMBOL**



**GENERAL NOTES**

- This drawing shall be read in conjunction with all relevant Architectural, Engineering and related Drawings and Documents.
- Refer to Engineering Drawings for Grading and Servicing.
- Refer to Architectural Drawings for Site layout. Contractor shall provide the location(s) of all services/utilities by consulting Municipal Authorities and Utility companies and shall be responsible for adequate protection from damage during construction.
- Plant material shall be No. 1 Grade and shall comply with the Metric Guide Specifications For Nursery Stock (latest edition), published by the Canadian Nursery Trades Association.
- Plant Material locations are Schematic / Approximate only. Contractor shall stake out locations on site prior to work.
- Contractor shall guarantee all plant material for a period of one (1) full year from the date of final acceptance.
- Shrubs shall be planted in a continuous prepared bed of 450mm depth planting soil mix covered over with a woven polypropylene weed control fabric (LANDSCAPE FABRIC-Green-Line by Thrac-LINQ) and 75mm depth composted pine mulch to finish grade, as specified.
- Perennials and Ornamental Grasses shall be planted in a continuous prepared bed of 450mm depth planting soil mix covered over with 75mm depth composted pine mulch to finish grade. (NO WEED CONTROL FABRIC), as specified.
- Sod areas to receive 125mm topsoil. Sod shall be No. 1 quality conforming to the Canadian Nursery Sod Growers Specification.
- Reinstate all areas damaged or disturbed beyond the limit of Work.
- Plant Material substitutions shall not be permitted without written approval from the Consultant.
- Contractor shall advise Consultant a minimum of 48hrs. prior to proceeding landscape work and any required Field Reviews.
- THIS PLAN HAS BEEN PREPARED FOR MUNICIPAL SITE PLAN APPROVAL ONLY AND MAY NOT BE USED FOR ANY OTHER PURPOSE.**

**FOR APPROVAL ONLY**

2.	FEB.10/23	ISSUE SPA
1.	FEB.3/23	ISSUE FOR REVIEW / COORDINATION
no.	date	revision
North Arrow		Stamp

Contractor shall check and verify all dimensions on site and report all errors and/or omissions to the Consultant.  
Work to be done in accordance with all applicable codes and by-laws.

Do not scale Drawing.  
This Drawing shall not be used for construction until signed by the Consultant.

Copyright reserved. This Drawing is the exclusive property of Levstek Consultants Inc. and shall not be used without consent.

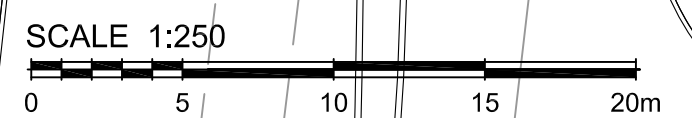
Consultant  
**LEVSTEK CONSULTANTS**  
 LANDSCAPE ARCHITECTS  
 5871 Hugh Crescent - Ottawa, Ontario - K8A 2W0  
 613-824-8318

Client  
**NORTH AMERICAN DEVELOPMENT GROUP**

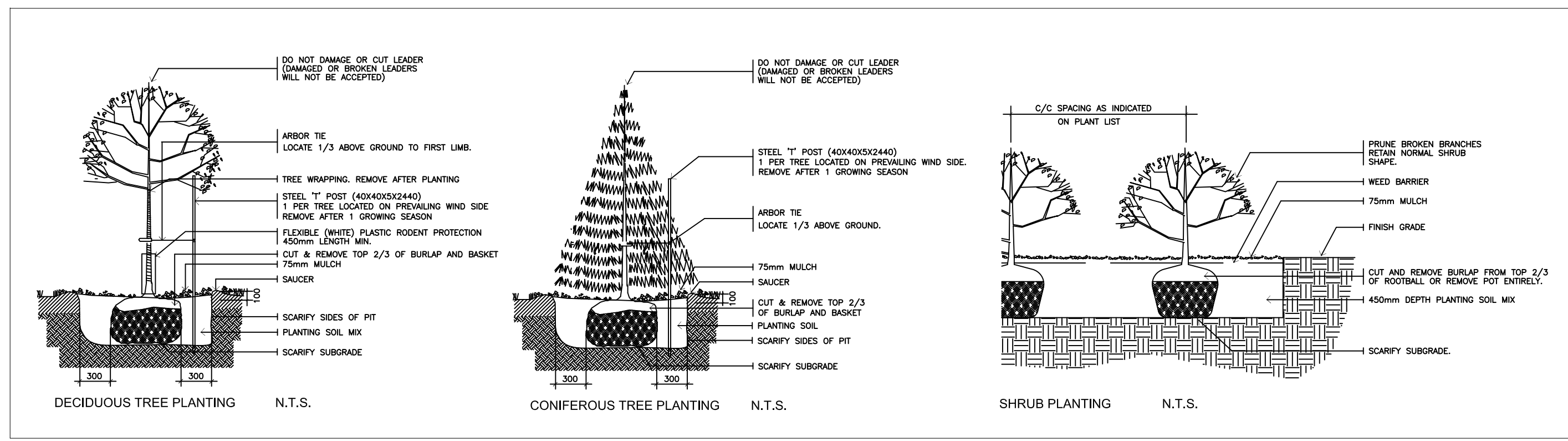
Project  
**ORLEANS GARDENS**  
 1615 ORLEANS BOULEVARD  
 ORLEANS, ONTARIO

Drawing Title  
**LANDSCAPE PLAN**

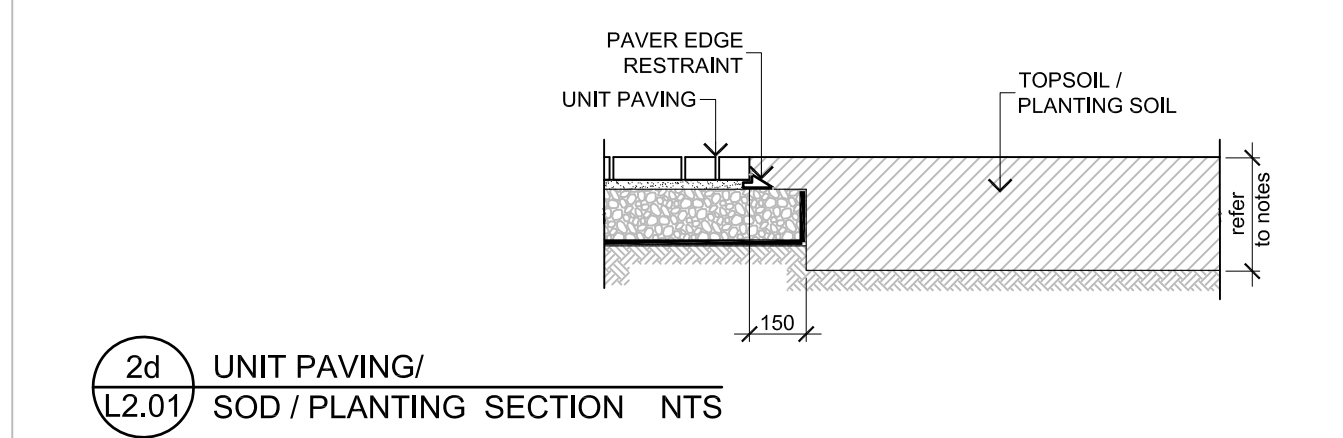
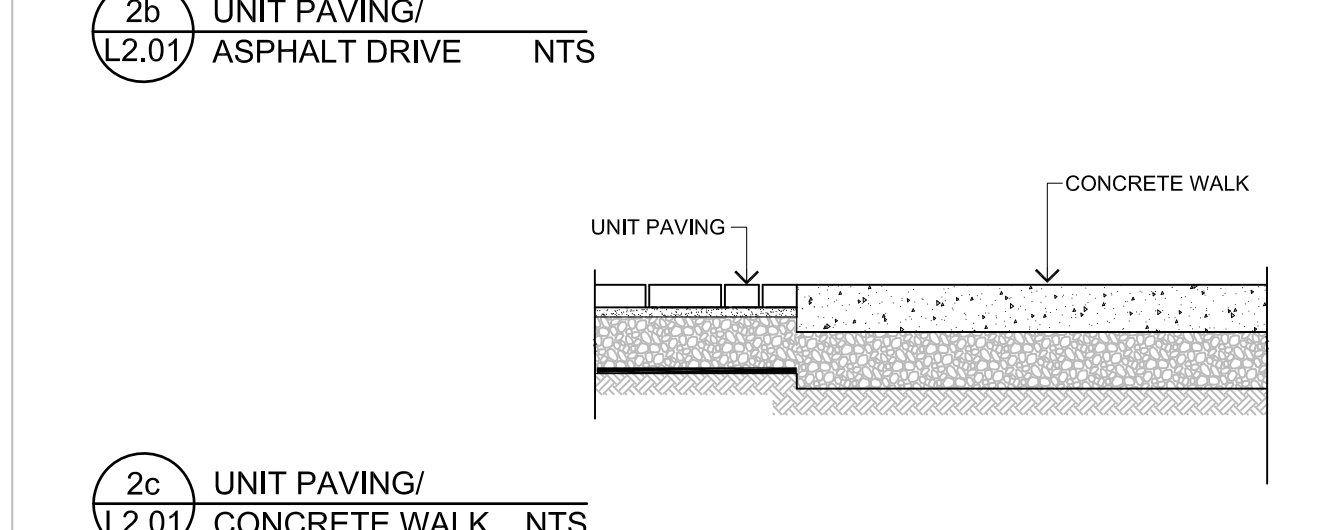
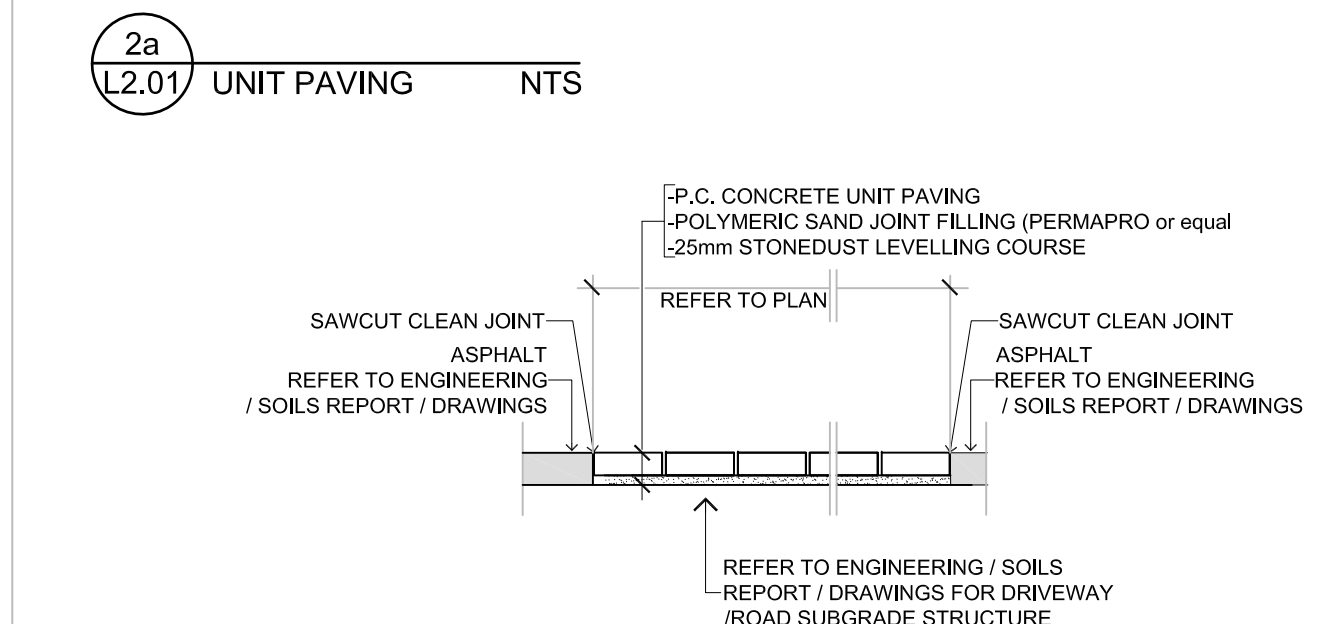
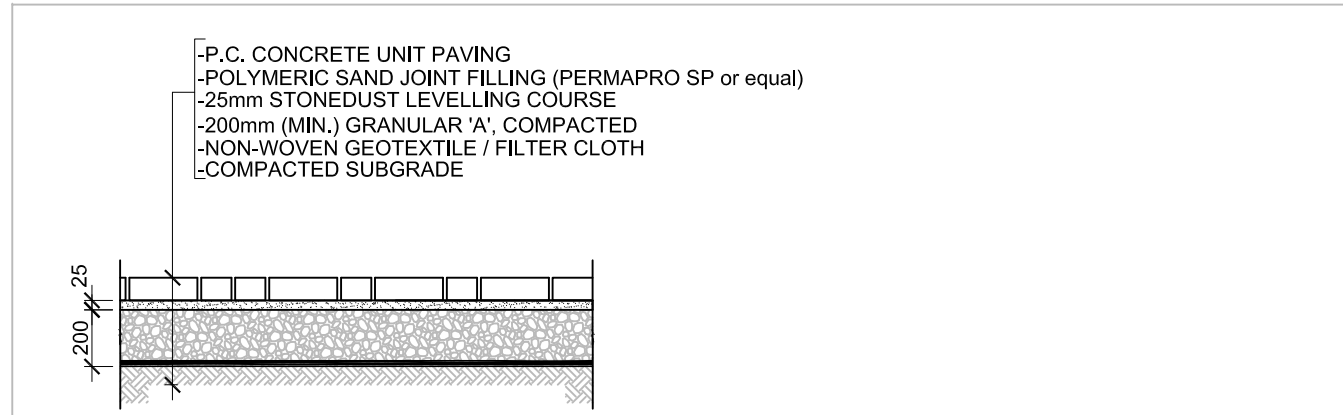
Drawn	Date	Drawing No.
MGB	NOV 2022	
Scale	Project No.	
1:250	1216	L1.01



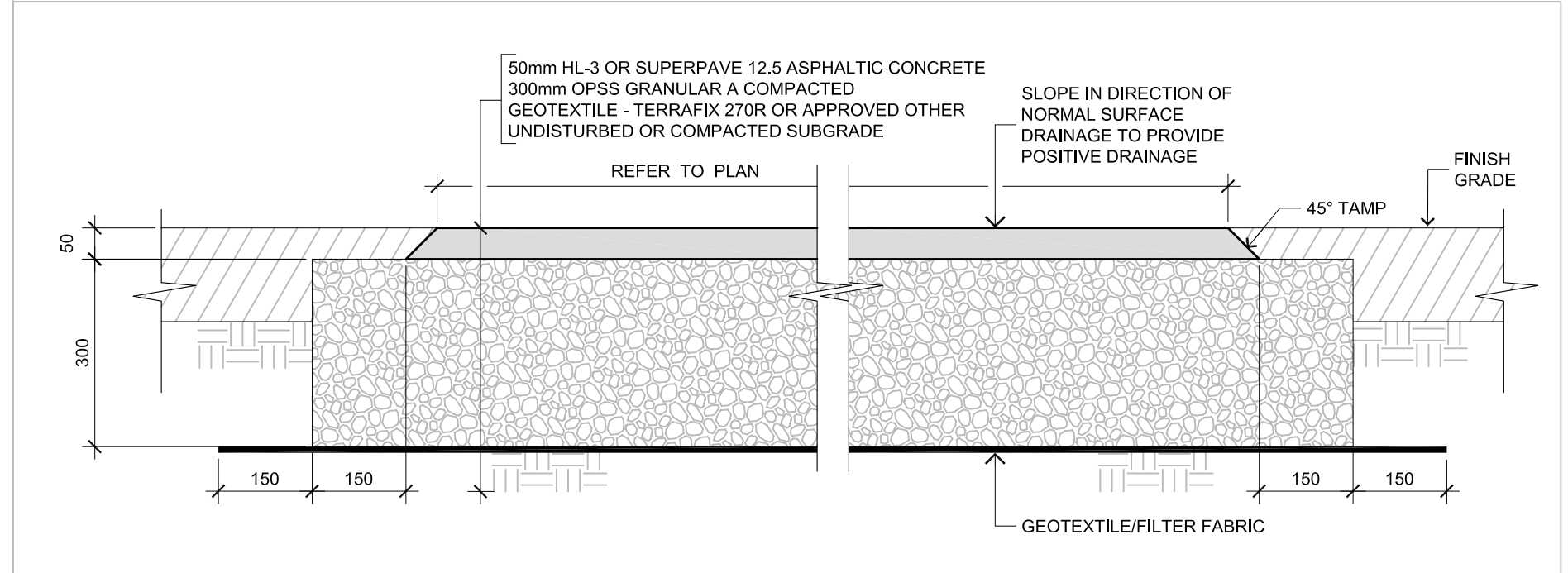




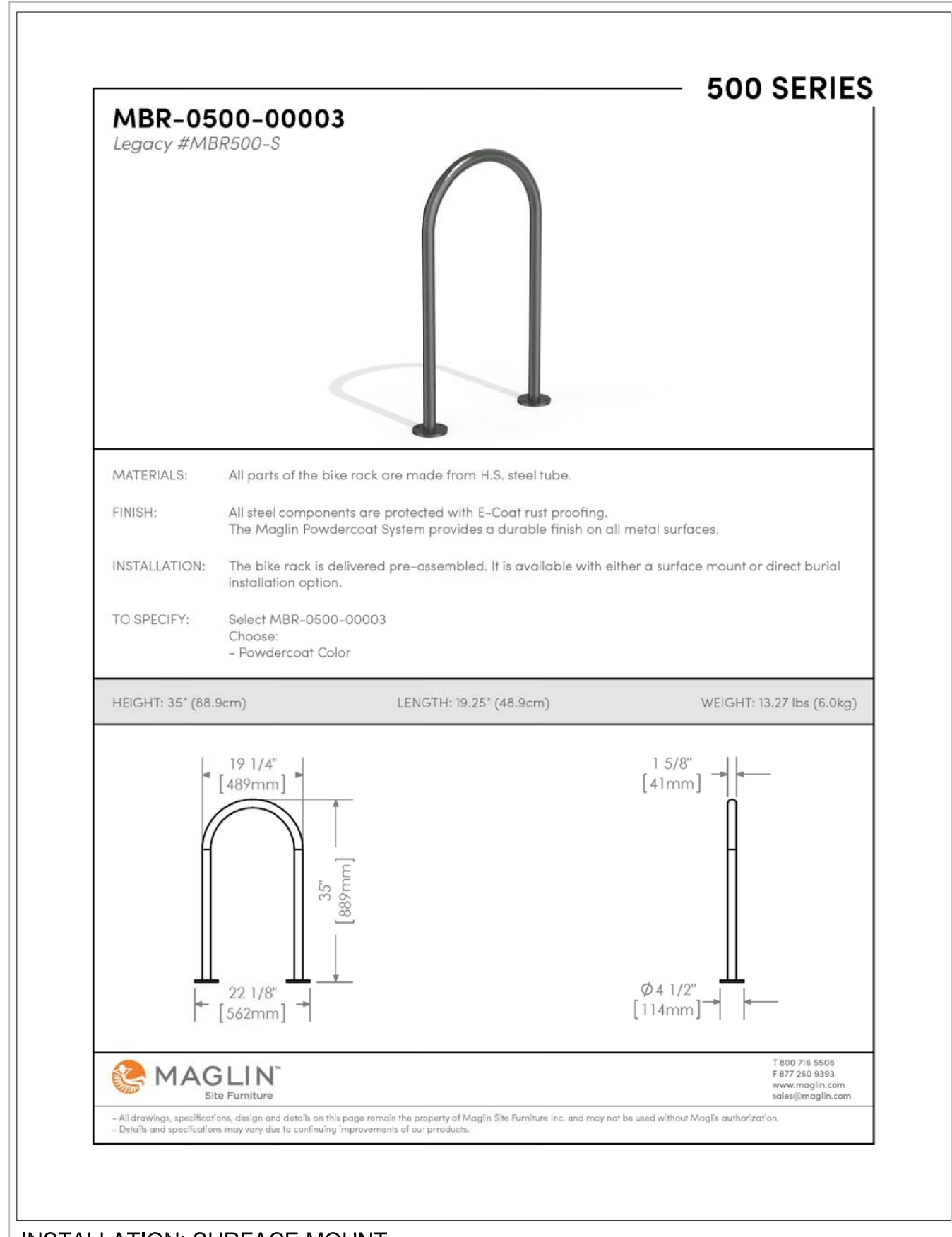
1 L2.01 PLANTING DETAILS (TYPICAL) NTS



2 L2.01 UNIT PAVING DETAILS NTS

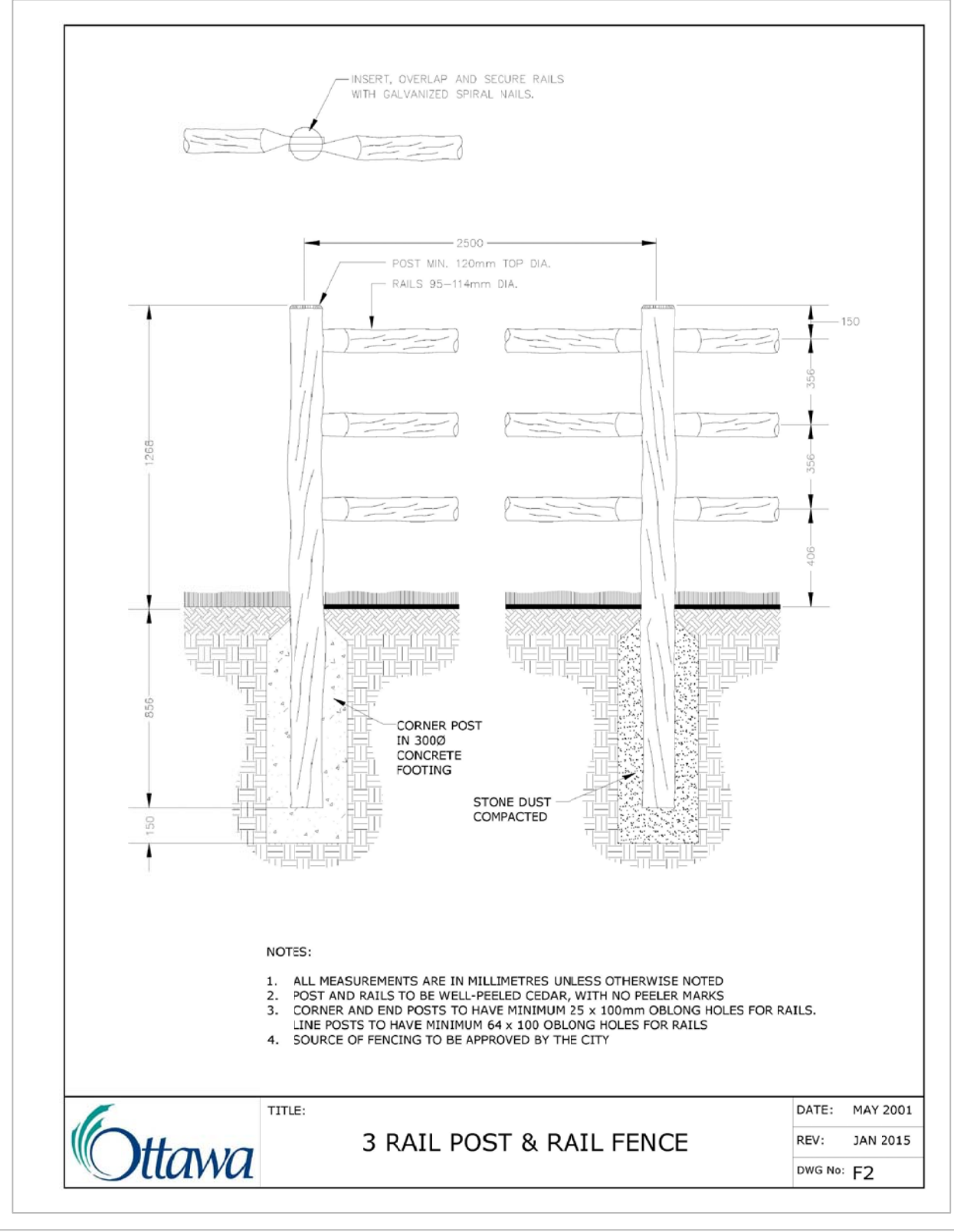


3 L2.01 ASPHALT PATHWAY (LIGHT DUTY) - TYPE A 1:10

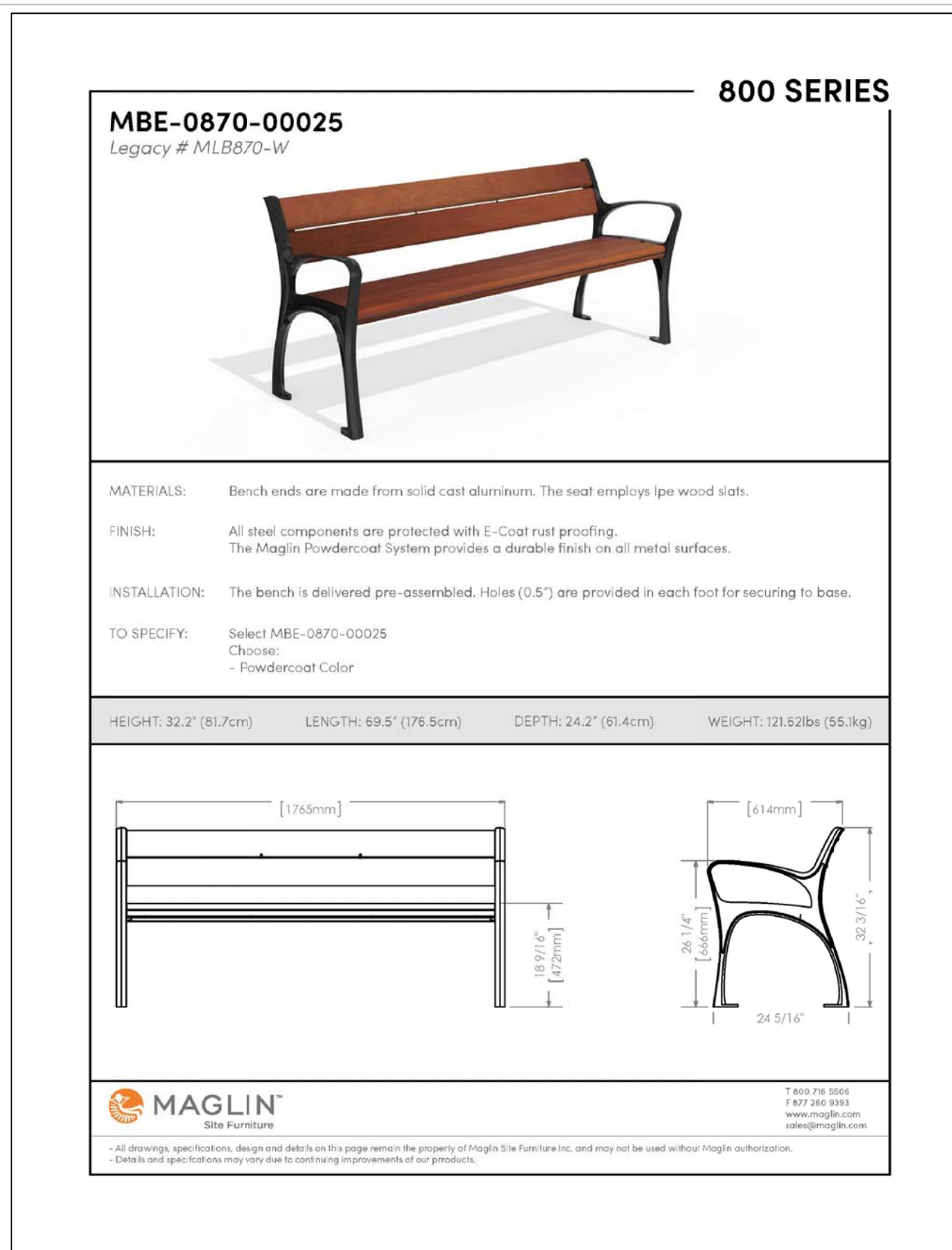


INSTALLATION: SURFACE MOUNT  
FINISH: TITANIUM (GLOSS) POWDERCOAT

4 L2.01 BICYCLE RACK NTS



5 L2.01 POST / 3-RAIL FENCE NTS



INSTALLATION: SURFACE MOUNT  
POWDERCOAT COLOR: TITANIUM (GLOSS)

6 L2.01 BENCH NTS

FOR APPROVAL ONLY

no.	date	revision
2.	FEB.10/23	ISSUE SPA
1.	FEB.3/23	ISSUE FOR REVIEW / COORDINATION
no.	date	revision
North Arrow		Stamp

Contractor shall check and verify all dimensions on site and report all errors and/or omissions to the Consultant.  
Work to be done in accordance with all applicable codes and by-laws.  
Do not scale Drawing.  
This Drawing shall not be used for construction until signed by the Consultant.  
Copyright reserved. This Drawing is the exclusive property of Levstek Consultants Inc. and shall not be used without consent.

Consultant  
**LEVSTEK CONSULTANTS**  
L A N D S C A P E A R C H I T E C T S  
5871 Hugh Crescent - Ottawa - Ontario - K8A 2W0  
613 - 824 - 8318

Client  
**NORTH AMERICAN DEVELOPMENT GROUP**

Project  
**ORLEANS GARDENS**  
1615 ORLEANS BOULEVARD  
ORLEANS, ONTARIO

Drawing Title  
**DETAILS**

Drawn	Date	Drawing No.
MGB	NOV 2022	L2.01
Scale	Project No.	
AS NOTED	1216	