



KEY PLAN
N.T.S.
LEGEND
SEE ABBREVIATIONS BELOW

ADDRESS:
665 ALBERT STREET
OTTAWA, ONTARIO

SEE ABBREVIATIONS BELOW

BENCHMARK: ELEVATIONS ARE GEODETIC, IN METRES, AND DERIVED FROM THE CAN-NET VRS NETWORK MONUMENT: OTTAWA ELEVATION=95.230

BEARING: BEARINGS ARE GRID. DERIVED FROM THE CAN-NET VRS NETWORK OBSERVATIONS ON NCC HORZ CONTROL MONUMENTS 19773035 & 19680191, CENTRAL MERIDIAN, 76°30' W LONGITUDE MTM ZONE 9

SITE PLAN: KPMG, PERKINS & WILL

SURVEY: STANTEC GEOMATICS LTD., 220324

5			
4			
3			
2			
1	ISSUED FOR REVIEW	230210	E.C.B.
NO.	ISSUE	DATE	BY

DRAWING NOTES NOT FOR CONSTRUCTION

- THIS DRAWING IS THE EXCLUSIVE PROPERTY OF THE MUNICIPAL INFRASTRUCTURE GROUP LTD (TMIG). THE REPRODUCTION OF ANY PART WITHOUT PRIOR WRITTEN CONSENT FROM TMIG IS STRICTLY PROHIBITED.
- THIS DRAWING IS TO BE READ AND UNDERSTOOD IN CONJUNCTION WITH ALL OTHER DRAWINGS AND DOCUMENTS APPLICABLE TO THIS PROJECT.
- THIS DRAWING IS NOT TO BE ISSUED FOR CONSTRUCTION UNTIL ALL REQUIRED PERMITS HAVE BEEN ISSUED.
- THE CONTRACTOR SHALL VERIFY ALL DIMENSIONS, ELEVATIONS, INVERTS AND DATA ON SITE AND REPORT ANY DISCREPANCIES OR OMISSIONS TO TMIG 48 HOURS PRIOR TO ANY CONSTRUCTION.

ABBREVIATIONS		TW = TOP OF WALL	BW = BOTTOM OF WALL	CONC = CONCRETE	HPDE = HIGH DENSITY POLYETHYLENE
GENERAL:	PROP = PROPOSED	SERVICING:	STM = STORM	SAN = SANITARY	WAT = WATER
EX = EXISTING	TC = TOP OF CURB	BC = BOTTOM OF CURB	PVC = POLYVINYL CHLORIDE	AD = AREA DRAIN	TD = TRENCH DRAIN

GENERAL NOTES:

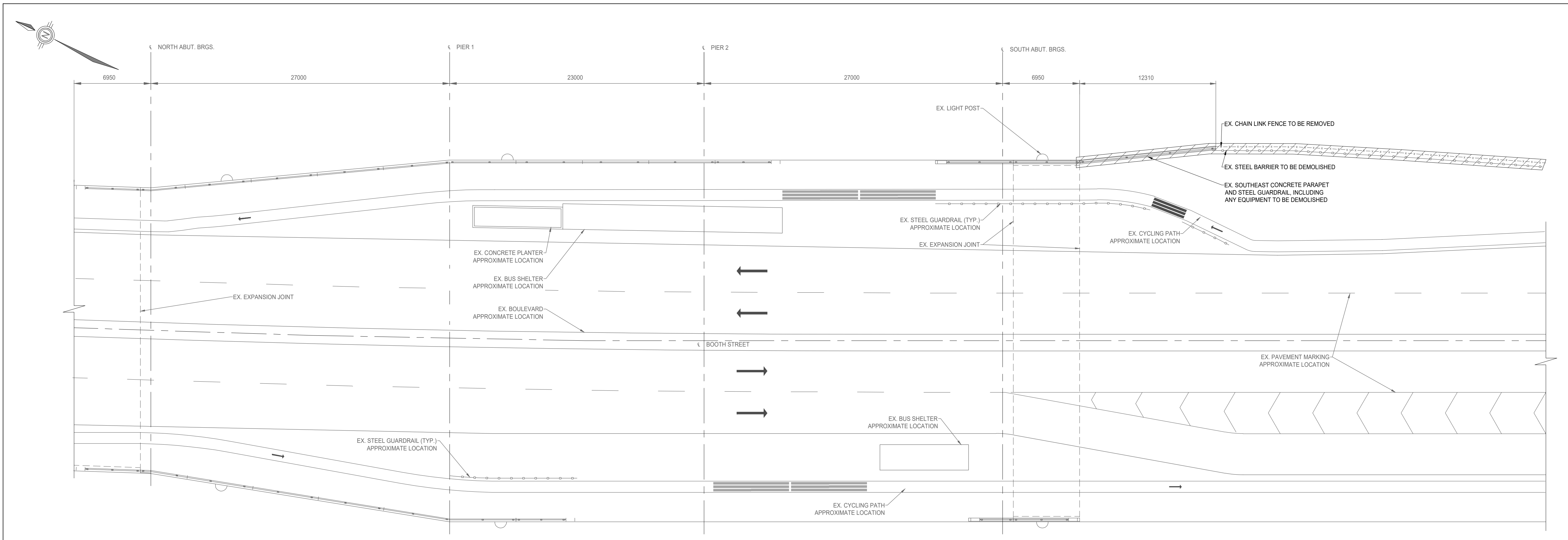
- DESIGN CODE**
CSA-S6-19
- UNITS**
DIMENSIONS ARE IN mm.
- SPECIFICATIONS**
ONTARIO PROVINCIAL STANDARD SPECIFICATION:
904 - CONCRETE STRUCTURE
905 - STEEL REINFORCEMENT FOR CONCRETE
919 - FORMWORK AND FLASEWORK
929 - ABRASIVE BLAST CLEANING - CONCRETE CONSTRUCTION
930 - STRUCTURAL REHABILITATION - CONCRETE PATCHES AND OVERLAYS
1002 - AGGREGATES - CONCRETE
1301 - CEMENTING MATERIALS
1302 - WATER
1303 - ADMIXTURES FOR CONCRETE
1440 - STEEL REINFORCEMENT FOR CONCRETE

CITY OF OTTAWA SPECIAL PROVISION:
F-9040 CONCRETE STRUCTURES
F-9043 CEMENTING MATERIALS
F-9045 CONCRETE - MATERIALS AND PRODUCTION

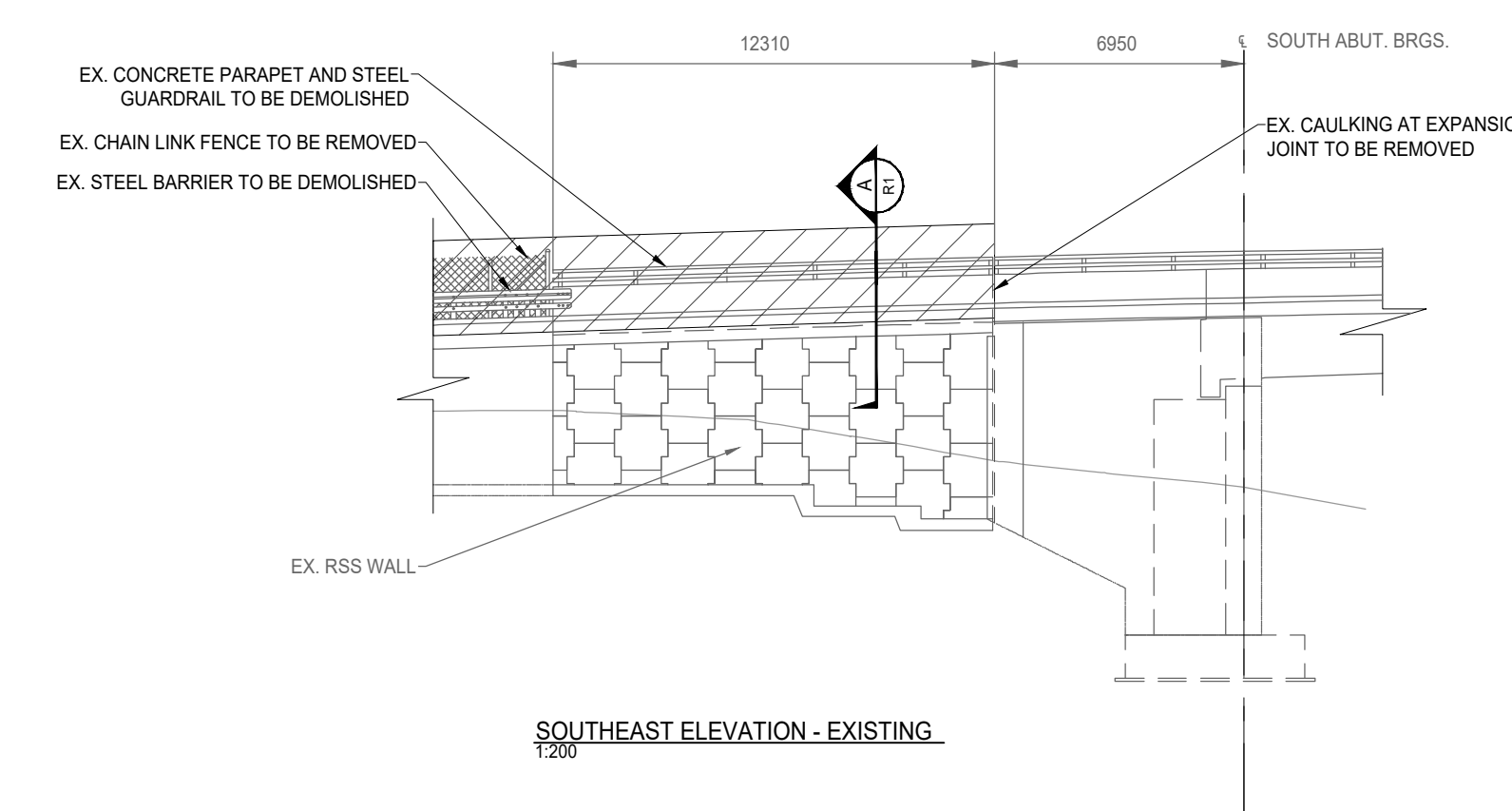
SOUTHEAST CONCRETE PARAPET REMOVAL

LEBRETON LIBRARY PARCEL
DREAM

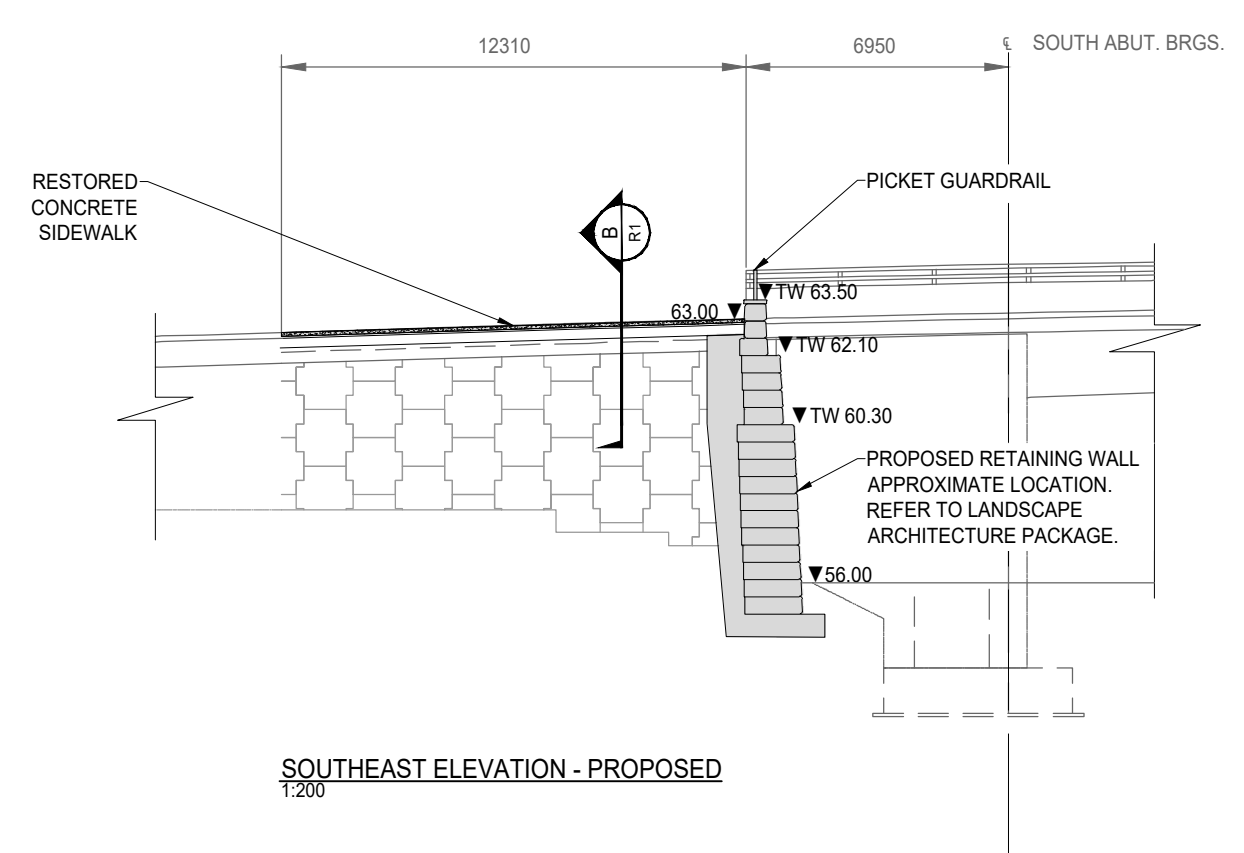
SCALE: NTS	PROJECT #
DATE: APRIL 2022	10399
DRAWN BY: A.N.	DRAWING #
DESIGNED BY: E.C.B.	R1
CHECKED BY: B.W.	



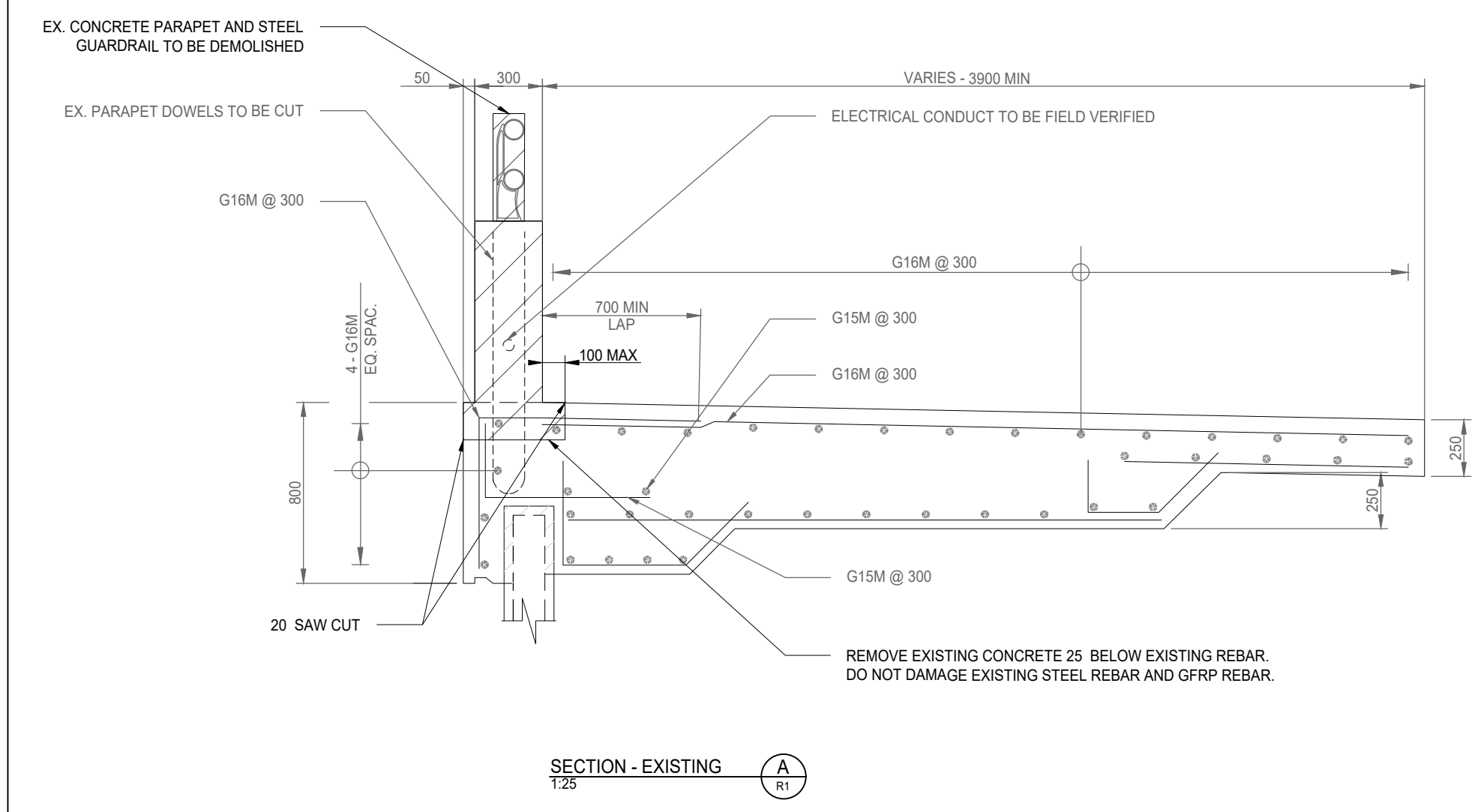
PLAN - EXISTING
1/200



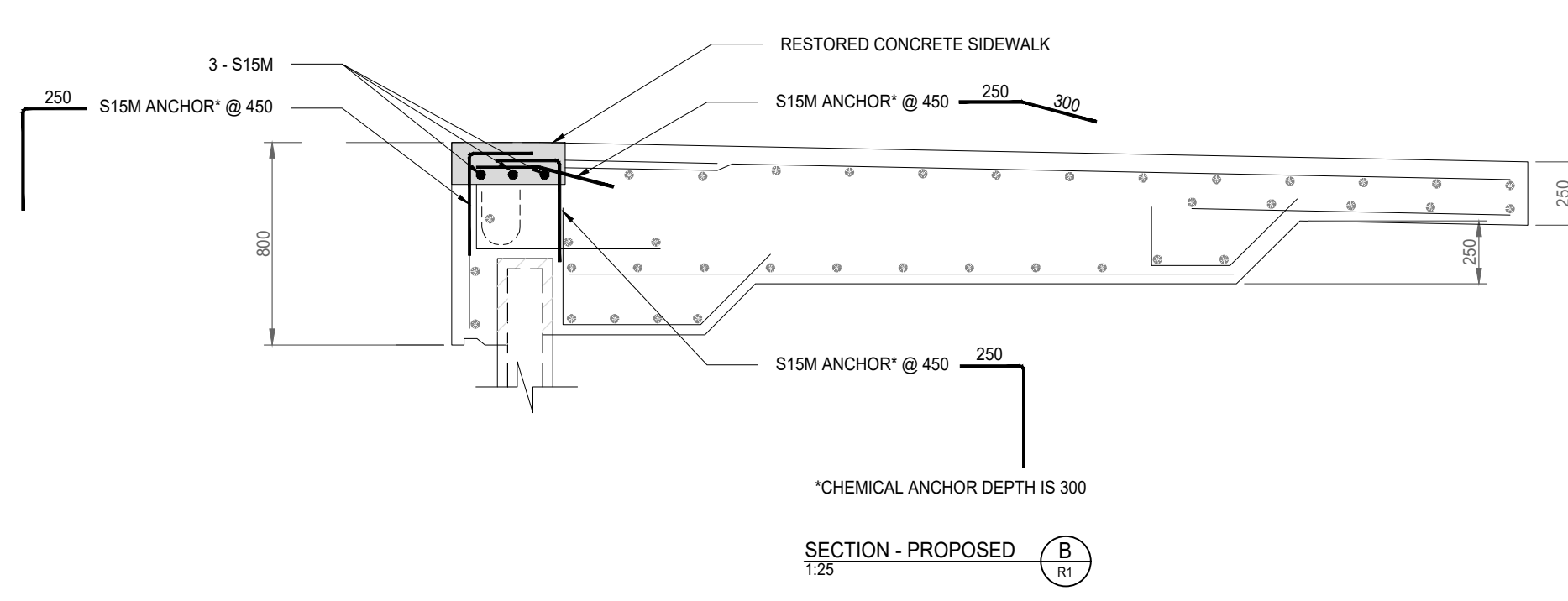
SOUTHEAST ELEVATION - EXISTING
1/200



SOUTHEAST ELEVATION - PROPOSED
1/200



SECTION - EXISTING
1/25



SECTION - PROPOSED
1/25

File: G:\Projects\2022\10399 - Dream - LeBreton Library Parcel\0399 Parapet Removal.dwg, Layout: R1, Date: Feb 09, 2023, 11:44am, Ecb By: angela.soon