
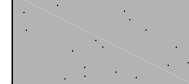


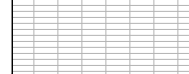
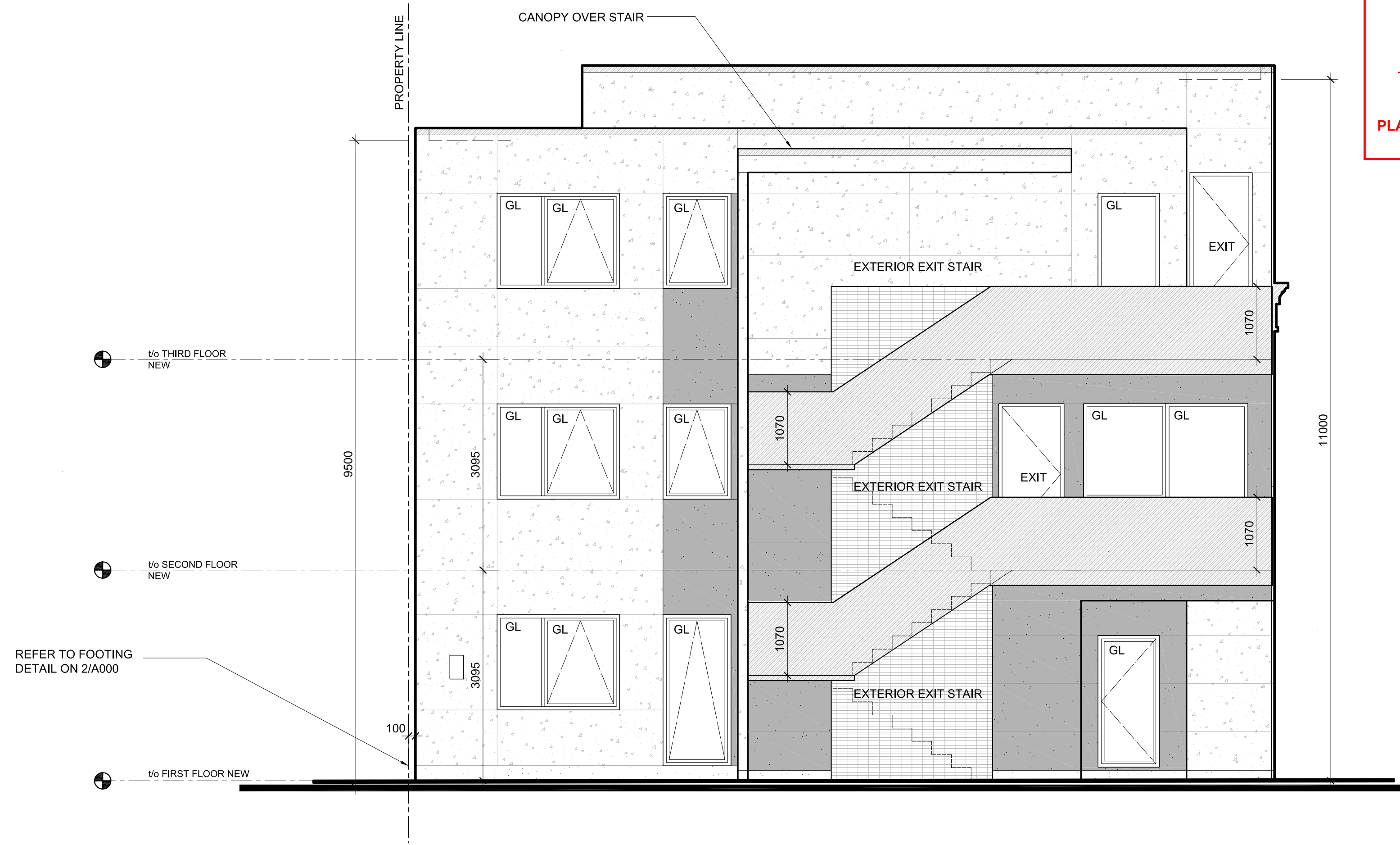


MATERIAL LEGEND

-  CEMENT BOARD PANEL SIDING (WHITE)
-  CEMENT BOARD PANEL SIDING (GREY)
-  METAL FLASHING AND/OR PAINTED STEEL SHEET
-  PARGED CONCRETE
-  PAINTED METAL GRATING



K. Baldwin

**KIMBERLEY BALDWIN MCIP RPP
PLANNER II
PLANNING, REAL ESTATE & ECONOMIC DEVELOPMENT
DEPARTMENT, CITY OF OTTAWA**

APPROVED
By Kimberley Baldwin at 8:39 am, Feb 06, 2023

CLIENT :
Grepault Developments Ltd.
5882 Leithrim Road
Ottawa, ON K0A 1K0
613-818-9810

rev. / issue	description	date
04	ISSUED FOR SITE PLAN CONTROL COMMENTS	02 DEC. 2022
03	ISSUED FOR SITE PLAN CONTROL COMMENTS	07 NOV. 2022
02	ISSUED FOR CITY COMMENTS & COORDINATION	08 AUG. 2022
01	ISSUED FOR SITE PLAN CONTROL	12 APR. 2022

THE ARCHITECT WAIVES ANY AND ALL RESPONSIBILITY AND LIABILITY FOR PROBLEMS WHICH ARISE FROM FAILURE TO FOLLOW THESE PLANS, SPECIFICATIONS, AND THE DESIGN INTENT THEY CONVEY, OR FOR PROBLEMS WHICH ARISE FROM OTHERS' FAILURE TO OBTAIN AND/OR FOLLOW THE ARCHITECT'S GUIDANCE WITH RESPECT TO ANY ERRORS, OMISSIONS, INCONSISTENCIES, AMBIGUITIES OR CONFLICTS WHICH ARE ALLEGED.

IT IS THE RESPONSIBILITY OF THE APPROPRIATE CONTRACTOR TO CHECK AND VERIFY ALL DIMENSIONS ON SITE AND PROMPTLY REPORT ALL ERRORS AND/OR OMISSIONS TO THE CONSULTANT BEFORE WORK COMMENCES.

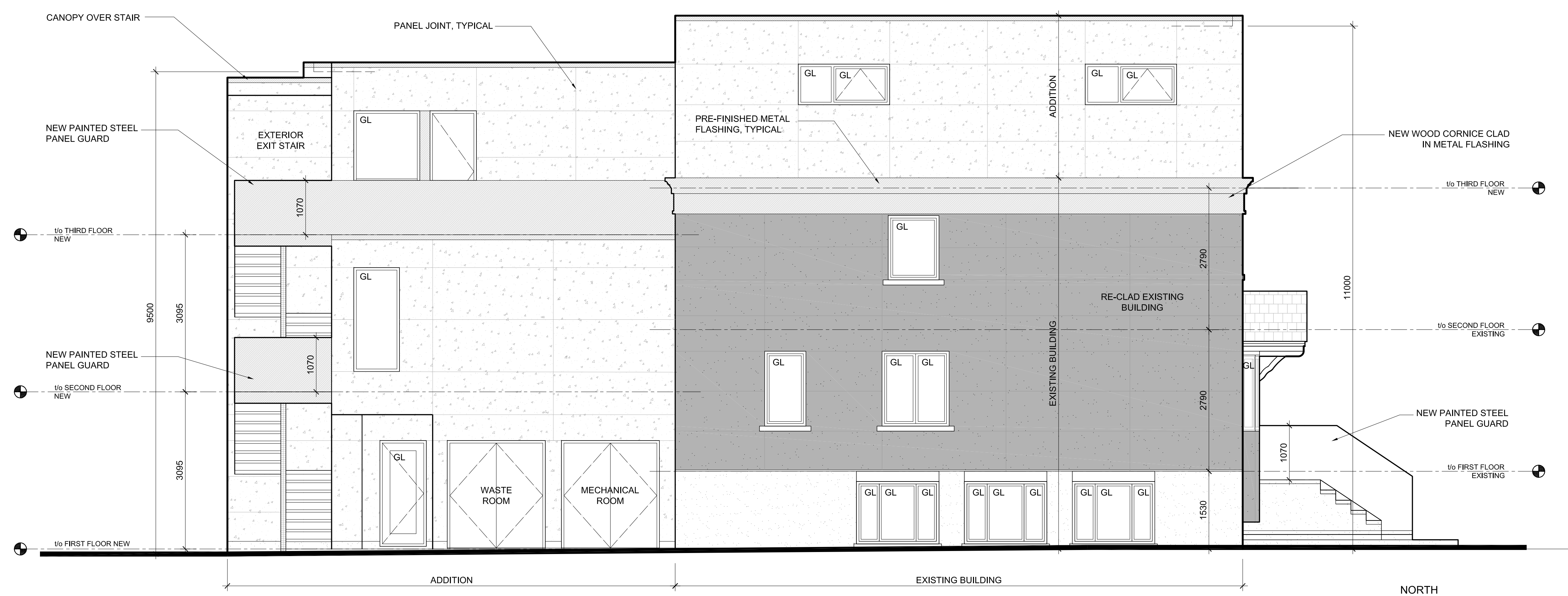
ALL WORK IS TO FOLLOW THE OBC 2012 AND ANY OTHER APPLICABLE CODES AND REGULATIONS.

DO NOT SCALE DRAWINGS.

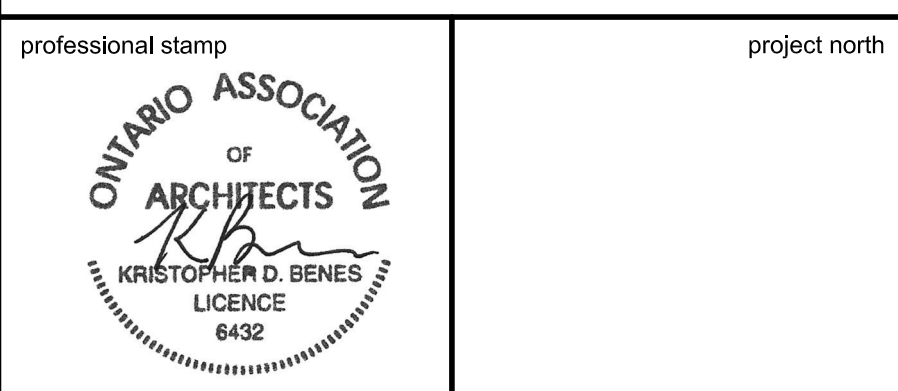
THESE DRAWINGS ARE NOT TO BE USED FOR CONSTRUCTION UNLESS A BUILDING PERMIT IN RESPECT OF THIS PROJECT HAS BEEN GRANTED BY AUTHORITIES AND THEY ARE ISSUED FOR CONSTRUCTION.

COPYRIGHT RESERVED.

EAST
1 ELEVATION
A201 1:50



NORTH
2 ELEVATION
A201 1:50



Kristopher D. Benes, OAA, MRAIC, LEED AP

OPA open plan architects inc.
architecture | interiors | concepts

2305 HILLARY AVE. | OTTAWA | ON | K1H 7J2
613.883.5090 | info@openplan.ca

project

**439 CHURCHILL AVENUE
ADDITION**
OTTAWA, ON

drawing


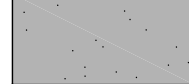


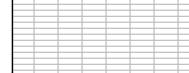
BUILDING ELEVATIONS

drawn	KDB	date	MARCH 2022
approved	KDB	revision	1
project no.	2117	scale	1:50
drawing no.			

A201

DWG# 18752 D07-12-22-0074

MATERIAL LEGEND

-  CEMENT BOARD PANEL SIDING (WHITE)
-  CEMENT BOARD PANEL SIDING (GREY)
-  METAL FLASHING AND/OR PAINTED STEEL SHEET
-  PARGED CONCRETE
-  PAINTED METAL GRATING



K. Baldwin

**KIMBERLEY BALDWIN MCIP RPP
PLANNER II
PLANNING, REAL ESTATE & ECONOMIC DEVELOPMENT
DEPARTMENT, CITY OF OTTAWA**

APPROVED
By Kimberley Baldwin at 8:40 am, Feb 06, 2023

CLIENT :
Grepault Developments Ltd.
5882 Leithrim Road
Ottawa, ON K0A 1K0
613-818-9810

rev. / issue	description	date MM/DD/YY
04	ISSUED FOR SITE PLAN CONTROL COMMENTS	02 DEC. 2022
03	ISSUED FOR SITE PLAN CONTROL COMMENTS	07 NOV. 2022
02	ISSUED FOR CITY COMMENTS & COORDINATION	08 AUG. 2022
01	ISSUED FOR SITE PLAN CONTROL	12 APR. 2022

THE ARCHITECT WAIVES ANY AND ALL RESPONSIBILITY AND LIABILITY FOR PROBLEMS WHICH ARISE FROM FAILURE TO FOLLOW THESE PLANS, SPECIFICATIONS, AND THE DESIGN INTENT THEY CONVEY, OR FOR PROBLEMS WHICH ARISE FROM OTHERS' FAILURE TO OBTAIN AND/OR FOLLOW THE ARCHITECT'S GUIDANCE WITH RESPECT TO ANY ERRORS, OMISSIONS, INCONSISTENCIES, AMBIGUITIES OR CONFLICTS WHICH ARE ALLEGED.

IT IS THE RESPONSIBILITY OF THE APPROPRIATE CONTRACTOR TO CHECK AND VERIFY ALL DIMENSIONS ON SITE AND PROMPTLY REPORT ALL ERRORS AND/OR OMISSIONS TO THE CONSULTANT BEFORE WORK COMMENCES.

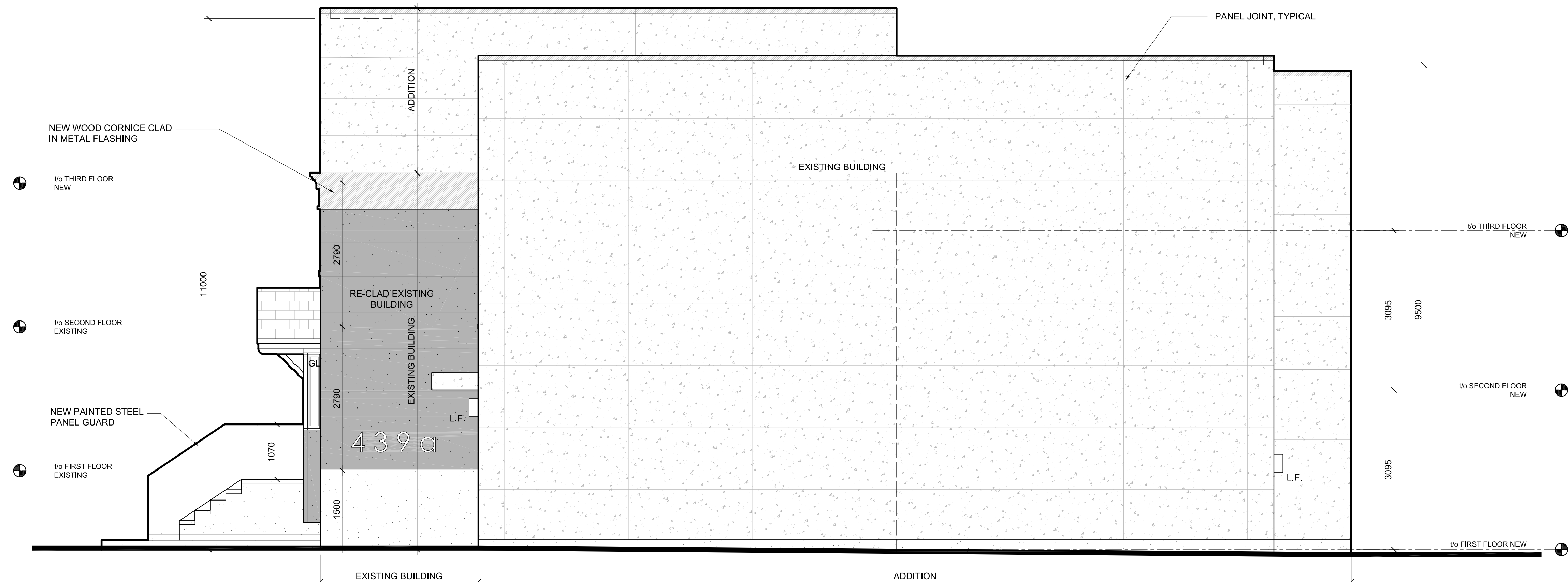
ALL WORK IS TO FOLLOW THE OBC 2012 AND ANY OTHER APPLICABLE CODES AND REGULATIONS.

DO NOT SCALE DRAWINGS.

THESE DRAWINGS ARE NOT TO BE USED FOR CONSTRUCTION UNLESS A BUILDING PERMIT IN RESPECT OF THIS PROJECT HAS BEEN GRANTED BY AUTHORITIES AND THEY ARE ISSUED FOR CONSTRUCTION.


COPYRIGHT RESERVED.

WEST
1 ELEVATION
A200 1 : 50



SOUTH
2 ELEVATION
A200 1 : 50

professional stamp project north



Kristopher D. Benes, OAA, MRAIC, LEED AP

OPA open plan architects inc.
architecture | interiors | concepts


2305 HILLARY AVE. | OTTAWA | ON | K1H 7J2
613.883.5090 | info@openplan.ca

project

**439 CHURCHILL AVENUE
ADDITION
OTTAWA, ON**

drawing

BUILDING ELEVATIONS

drawn	KDB	date	MARCH 2022
approved	KDB	revision	
project no.	2117	scale	1 : 50

drawing no.

A200

DWG# 18752 D07-12-22-0074