

NOTES:  
1. REFER TO TCR DRAWING FOR ALL TREE PROTECTION FENCING.

- LEGEND:
- CRITICAL ROOT ZONE (CRZ)
  - EXISTING TREE
  - TREE TO BE REMOVED
  - PROPOSED DECIDUOUS TREE
  - PROPOSED CONIFEROUS TREE
  - TREE PROTECTION
  - SHRUB AND PERENNIAL PLANTING
  - SOD
  - UNIT PAVING
  - BICYCLE PARKING

No.	Revision	Date
7.	RE-ISSUED FOR SPA	10 JAN, 2023
6.	RE-ISSUED FOR SPA	29 NOV, 2022
5.	ISSUED FOR SPA	14 JUN, 2022
4.	REISSUED FOR RE-ZONING	07 DEC, 2021
3.	ISSUED FOR RE-ZONING	15 JUL, 2021
2.	ISSUED FOR REVIEW/COORDINATION	06 JUL, 2021
1.	ISSUED FOR REVIEW/COORDINATION	24 JUN, 2021

North:

Stamp:

**CSW** Landscape Architecture  
Urban Design  
Site Planning  
Recreation and Park Planning  
Project Management

319 McRae Avenue, Suite 502, Ottawa, Ontario K1Z 0B9  
Tel: (613) 729-4536 Fax: (655) 736-9161

- All measurements in millimeters unless specified otherwise. Do not scale drawing. All drawings to be read in conjunction with written specifications.
- Copyright reserved. This drawing is the exclusive property of CSW Landscape Architects Ltd. and shall not be used without the consent thereof.
- This Drawing may not be used for construction until signed by the landscape architect. It is the responsibility of the contractor to:
  - check and verify all dimensions on site;
  - report all errors and/or omissions to the landscape architect;
  - comply with all pertinent codes and by-laws;
  - check and verify locations of all underground services with all local utilities prior to any digging.

Project:  
**50 THE DRIVEWAY**  
50 THE DRIVEWAY  
OTTAWA, ONTARIO

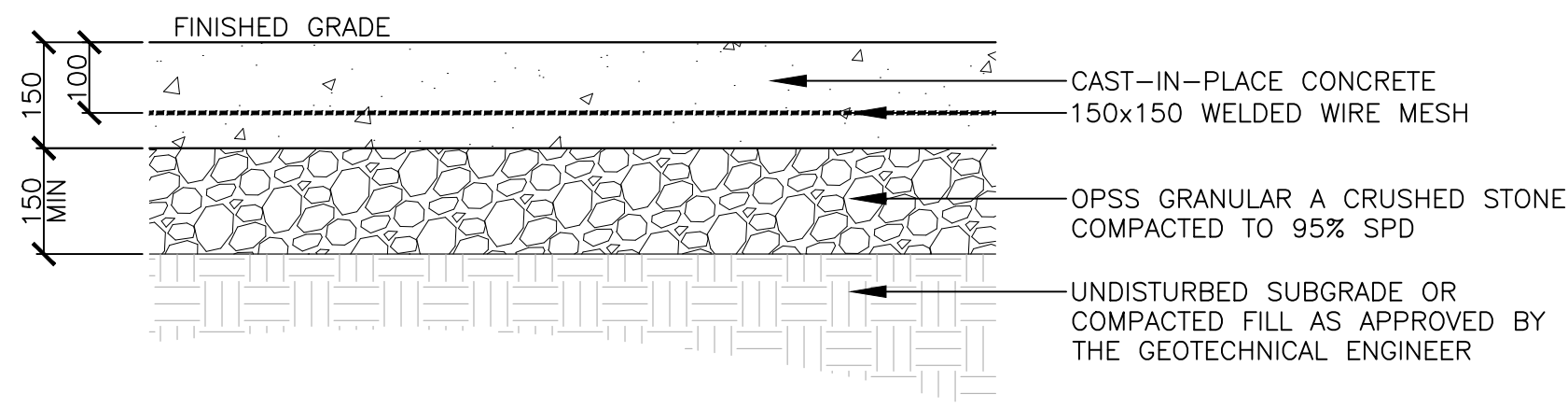
Drawing:  
**LANDSCAPE PLAN**

Scale: 1:150	Date: 15 JUNE, 2021
Design By: LM	Drawn By: SW/LM
Project Number: 2096-01	Sheet Number: L 1.0

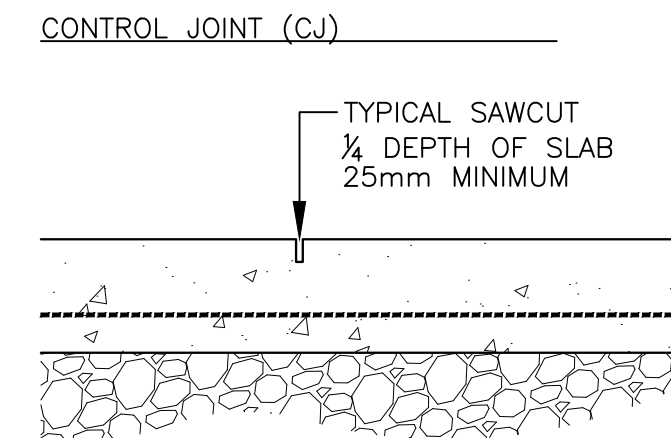
KEY	BOTANICAL NAME	COMMON NAME	QTY	SIZE	REMARKS
<b>DECIDUOUS TREES</b>					
AC	AMELANCHIER CANADENSIS	SERVICEBERRY		TREEFORM 40MM	W.B
AB	ACER x FREEMANI 'AUTUMN BLAZE'	AUTUMN BLAZE MAPLE		50mm CAL.	B&B/W.B
AF	ACER x FREEMANI 'AUTUMN FANTASY'	AUTUMN FANTASY MAPLE		50mm CAL.	B&B/W.B
AS	ACER RUBRUM 'SCARLET SENTINEL'	SCARLET SENTINEL MAPLE		50mm CAL.	B&B/W.B
GSU	GLEDITSIA TRIACANTHOS VAR. INERMIS 'SUNBURST'	SUNBURST HONEYLOCUST		50mm CAL.	B&B/W.B
TR	TILIA AMERICANA 'REDWOOD'	REDWOOD BASSWOOD		50mm CAL.	B&B/W.B
UP	ULMUS AMERICANA 'PRINCETON'	PRINCETON ELM		50mm CAL.	B&B/W.B
<b>SHRUBS</b>					
JH	JUNIPERUS HORI 'PRINCE OF WALES'	PRINCE OF WALES JUNIPER	3 GAL		POT
JG	JUNIPERUS CHINENSIS 'AUREA'	GOLD COAST JUNIPER	3 GAL		POT
RA	RHUS AROMATICA 'GRO-LOW'	GRO LOW SUMAC	3 GAL		POT
<b>GRASSES &amp; PERENNIALS</b>					
AF	Agastache foeniculum 'Blue Fortune'	ANISE HYSSOP	1 GAL		POT
DC	DESCHAMPSIA CAESPITOSA	TUFTED HAIR GRASS	1 GAL.		POT
SA	SESLERIA AUTUMNALIS	AUTUMN MOORE GRASS	1 GAL		POT
SB	SCHIZACHYRIUM SCOPARIUM 'THE BLUES'	THE BLUES LITTLE BLUSTEM	1 GAL		POT
SH	SPOROBOLUS HETEROLEPSIS	PRAIRIE DROPSSEED	1 GAL		POT
SN	SALVIA NEMOROSA 'MAY NIGHT'	MAY NIGHT MEADOW SAGE	1 GAL		POT
PN	PANICUM VIRGATUM 'NORTHWIND'	NORTHWIND SWITCHGRASS	1 GAL		POT



Label Save: 2022-01-10 2:11:10 PM  
 File Location: Z:\Projects\2096-01 50 The Driveway\Drawings\SPA\SPA 04\2096-01 50 The Driveway\_SPA04(Landscape) dwg



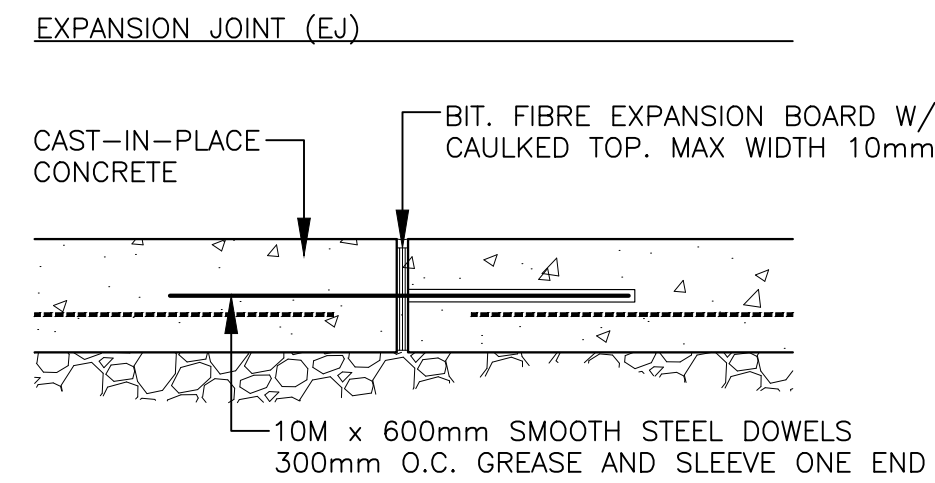
1 CONCRETE PAVING Scale: 1:10



CONTROL JOINT (CJ)  
 TYPICAL SAWCUT  
 1/4 DEPTH OF SLAB  
 25mm MINIMUM

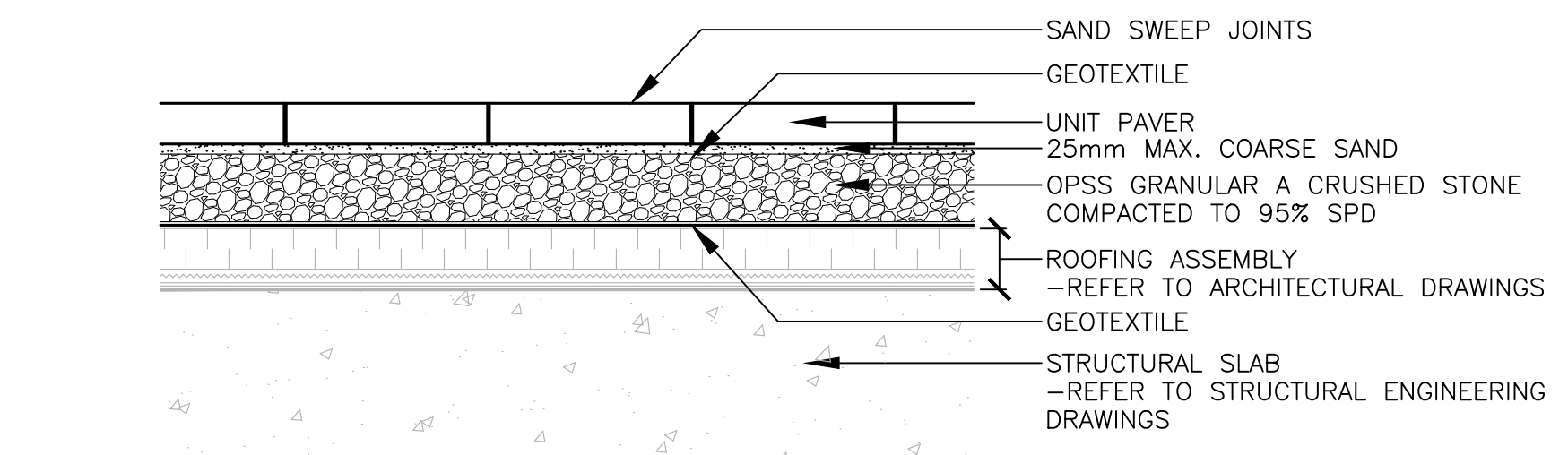
- NOTES:  
 1. REFER TO DRAWINGS FOR JOINT LAYOUT  
 2. SAWCUT WITHIN 48 HOURS OF POUR  
 3. NO TOOLED EDGES

2 CONCRETE JOINTS Scale: 1:10

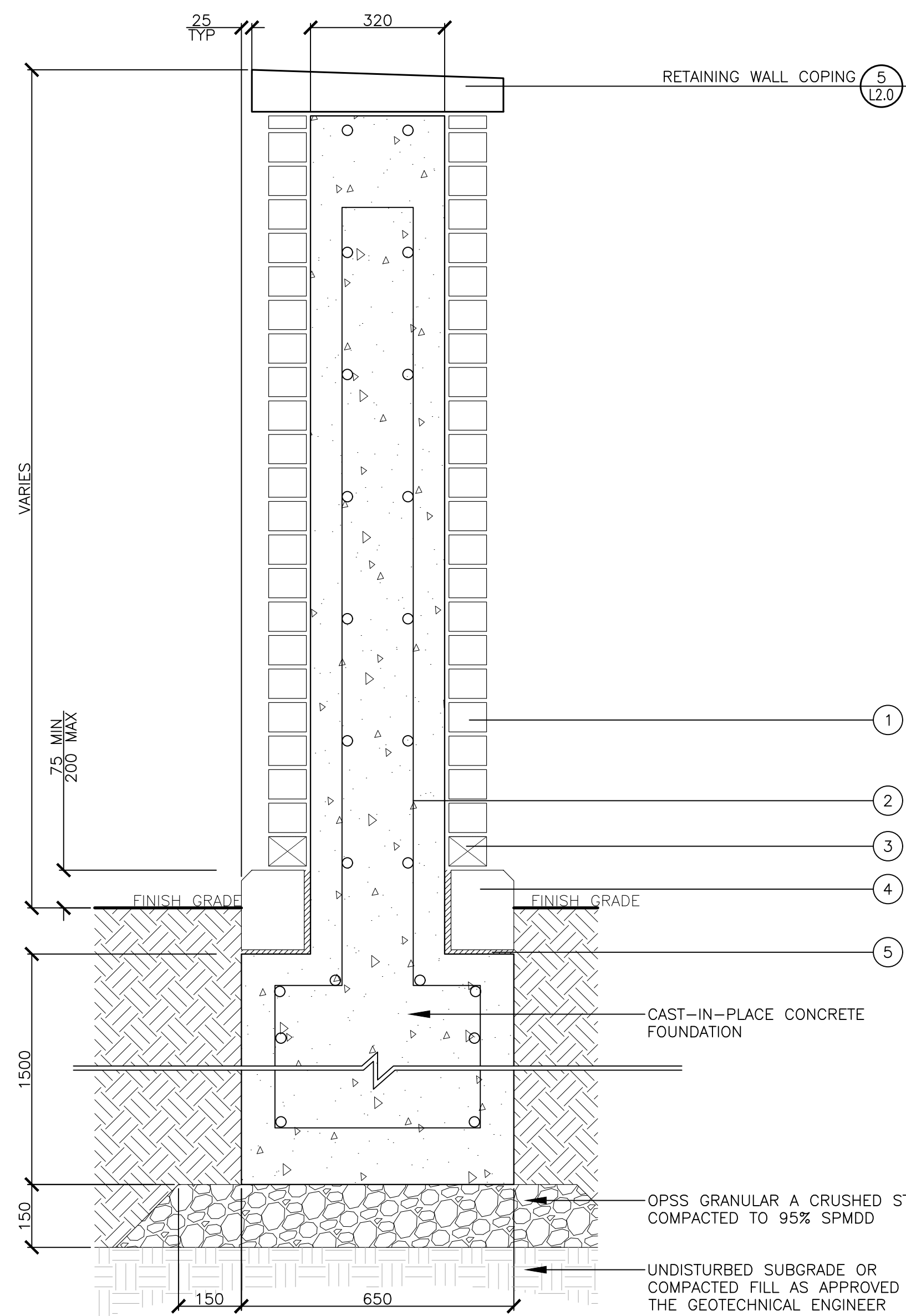


EXPANSION JOINT (EJ)  
 CAST-IN-PLACE CONCRETE  
 BIT FIBRE EXPANSION BOARD W/  
 CAULKED TOP. MAX WIDTH 10mm  
 10M x 600mm SMOOTH STEEL DOWELS  
 300mm O.C. GREASE AND SLEEVE ONE END

- NOTES:  
 1. REFER TO DRAWINGS FOR JOINT LAYOUT  
 2. ALL STEEL DOWELS TO BE EPOXY COATED  
 3. NO TOOLED EDGES

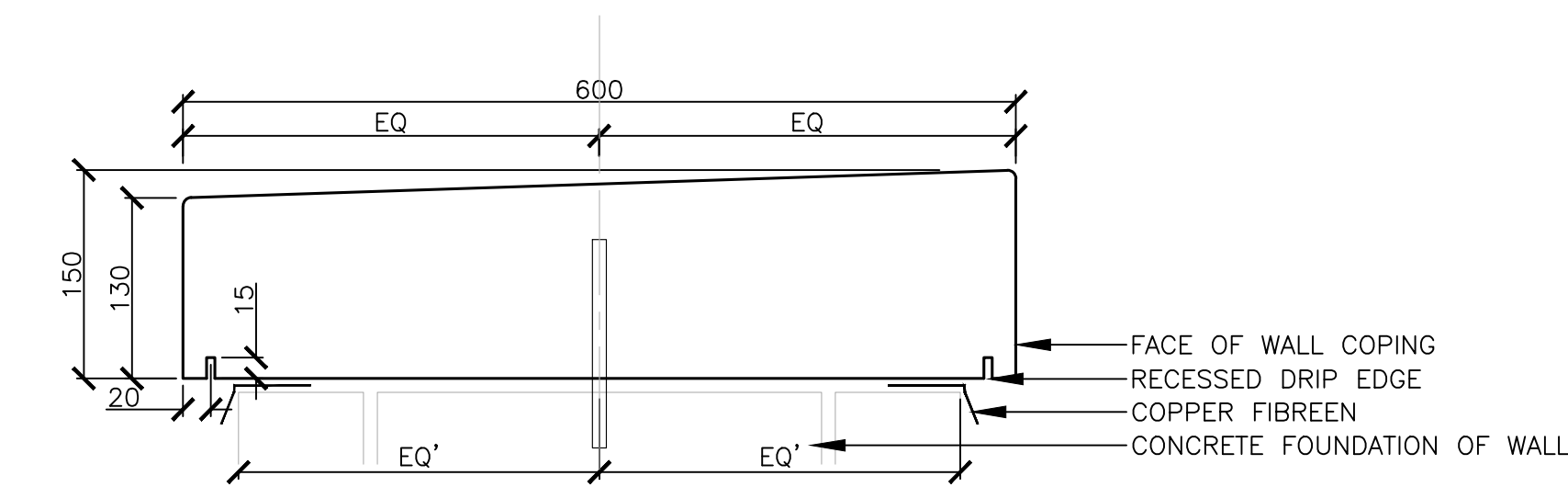


3 UNIT PAVING Scale: 1:10



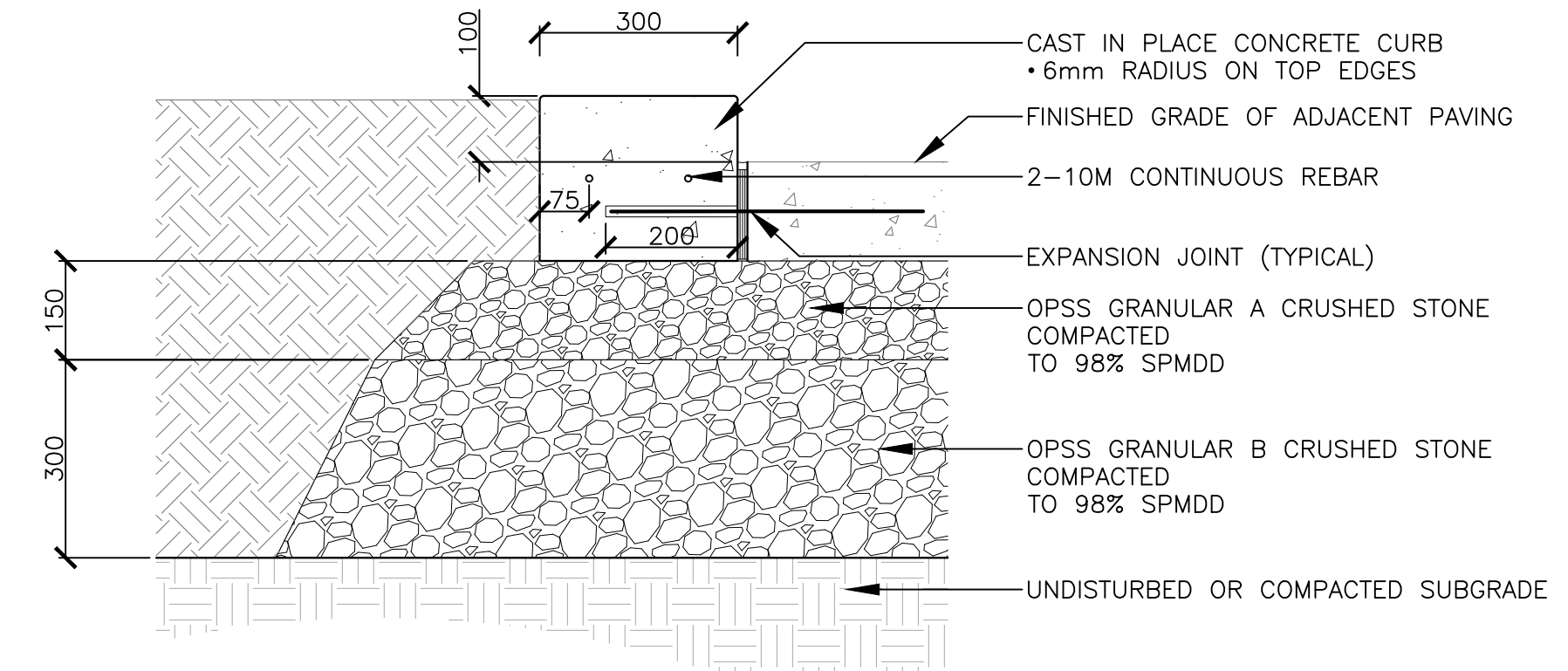
- NOTES:  
 1. CLAY BRICK: -PATTERN: OFFSET RUNNING BOND  
 2. REBAR: -15M HORIZONTAL CONTINUOUS  
 -15M VERTICAL REBAR @ 450mm O.C.  
 -ALL REBAR TO BE EPOXY COATED  
 3. WEEP HOLE AT APPROX. 600mm SPACING. PROVIDE 10mm AIR SPACE BEHIND ALL MASONRY BRICK  
 4. GRANITE FACING STONE: -25mm CHAMFER AT EXPOSED EDGE  
 -NO AIR SPACE BEHIND GRANITE STONE  
 5. WALL LEDGE TO STEP AS REQUIRED. STEPS TO BE EVENLY SPACED. HEIGHT OF STEPS SHALL BE EQUAL TO HEIGHT OF ONE BRICK COURSE  
 6. INSTALL VERTICAL CONTROL JOINTS 4000 O.C. OR WHERE FOUNDATION STEPS

4 MASONRY PRIVACY WALL & MASONRY COLUMN Scale: 1:10

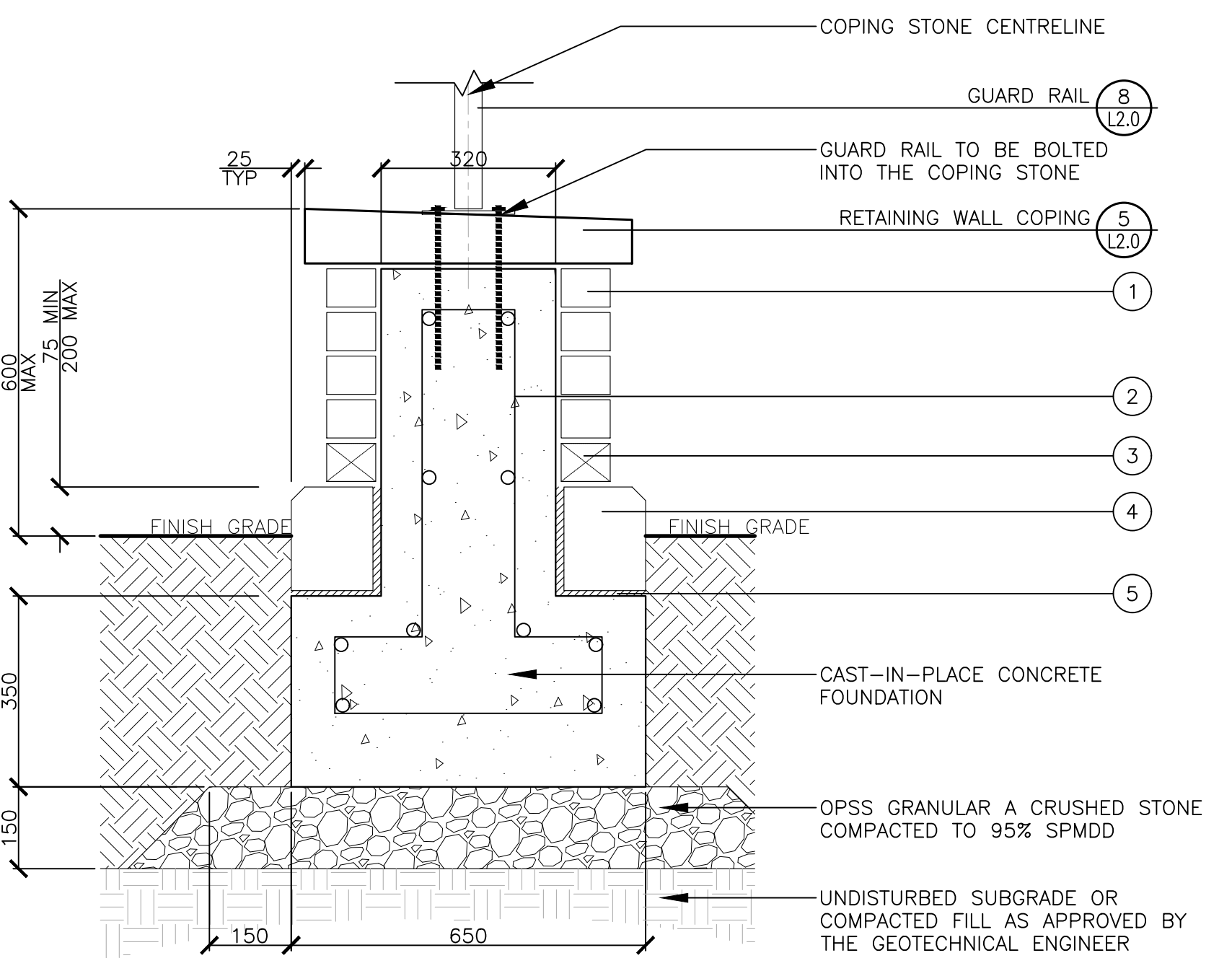


- NOTES:  
 1. COPING TO BE PRECAST WITH MEDIUM SANDBLAST FINISH  
 2. 6mm RADIUS AT TOP FRONT AND TOP BACK EDGES  
 3. ALL COPING STONE TO BE SECURED TO WALL WITH TWO DOWELS. MORTAR ALL JOINTS  
 4. FACE OF WALL COPING TO BE ADJACENT PLAZAS  
 5. PROVIDE SAMPLES AND SHOP DRAWINGS FOR REVIEW PRIOR TO COMMENCEMENT OF WORK

5 PRIVACY WALL COPING Scale: 1:10

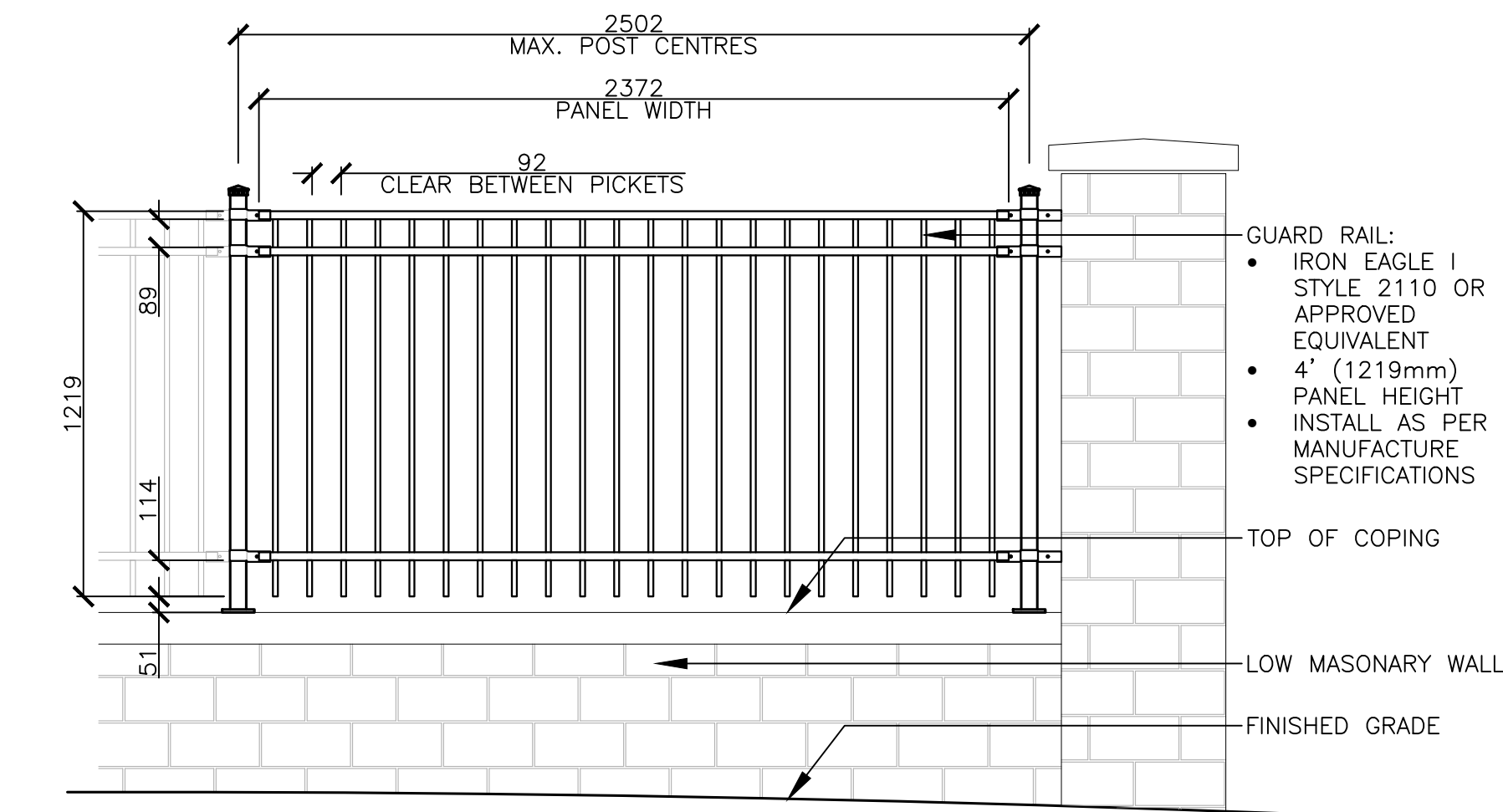


7 LANDSCAPE CURB Scale: 1:10



- NOTES:  
 1. CLAY BRICK: -PATTERN: OFFSET RUNNING BOND  
 2. REBAR: -15M HORIZONTAL CONTINUOUS  
 -15M VERTICAL REBAR @ 450mm O.C.  
 -ALL REBAR TO BE EPOXY COATED  
 3. WEEP HOLE AT APPROX. 600mm SPACING. PROVIDE 10mm AIR SPACE BEHIND ALL MASONRY BRICK  
 4. GRANITE FACING STONE: -25mm CHAMFER AT EXPOSED EDGE  
 -NO AIR SPACE BEHIND GRANITE STONE  
 5. WALL LEDGE TO STEP AS REQUIRED. STEPS TO BE EVENLY SPACED. HEIGHT OF STEPS SHALL BE EQUAL TO HEIGHT OF ONE BRICK COURSE  
 6. INSTALL VERTICAL CONTROL JOINTS 4000 O.C. OR WHERE FOUNDATION STEPS

6 LOW MASONRY WALL Scale: 1:10



8 GUARD RAIL Scale: 1:20

No.	Revision	Date
7.	RE-ISSUED FOR SPA	10 JAN, 2023
6.	RE-ISSUED FOR SPA	29 NOV, 2022
5.	ISSUED FOR SPA	14 JUN, 2022
4.	REISSUED FOR RE-ZONING	07 DEC, 2021
3.	ISSUED FOR RE-ZONING	15 JUL, 2021
2.	ISSUED FOR REVIEW/COORDINATION	06 JUL, 2021
1.	ISSUED FOR REVIEW/COORDINATION	24 JUN, 2021

North:	Stamp:

**CSW** Landscape Architecture  
 Urban Design  
 Site Planning  
 Recreation and Park Planning  
 Project Management

319 McRae Avenue, Suite 502, Ottawa, Ontario K1Z 0B9  
 Tel: (613) 729-4536 Fax: (855) 736-9161

- All measurements in millimeters unless specified otherwise. Do not scale drawing. All drawings to be read in conjunction with written specifications.
- Copyright reserved. This drawing is the exclusive property of CSW Landscape Architects Ltd. and shall not be used without the consent thereof.
- This Drawing may not be used for construction until signed by the landscape architect. It is the responsibility of the contractor to:
  - check and verify all dimensions on site;
  - report all errors and/or omissions to the landscape architect;
  - comply with all pertinent codes and by-laws;
  - check and verify locations of all underground services with all local utilities prior to any digging.

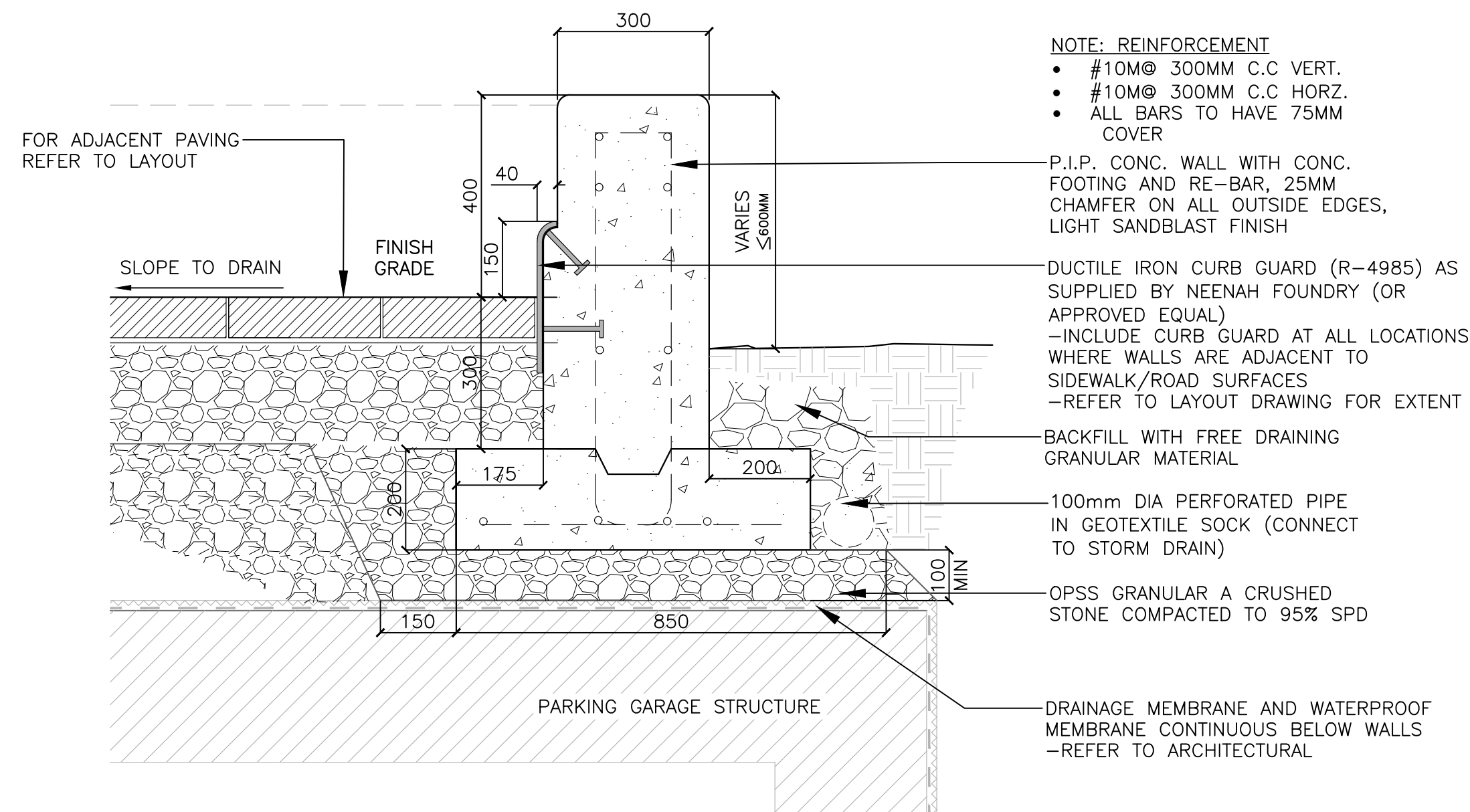
Project:  
**50 THE DRIVEWAY**  
 50 THE DRIVEWAY  
 OTTAWA, ONTARIO

Drawing:  
**LANDSCAPE DETAILS**

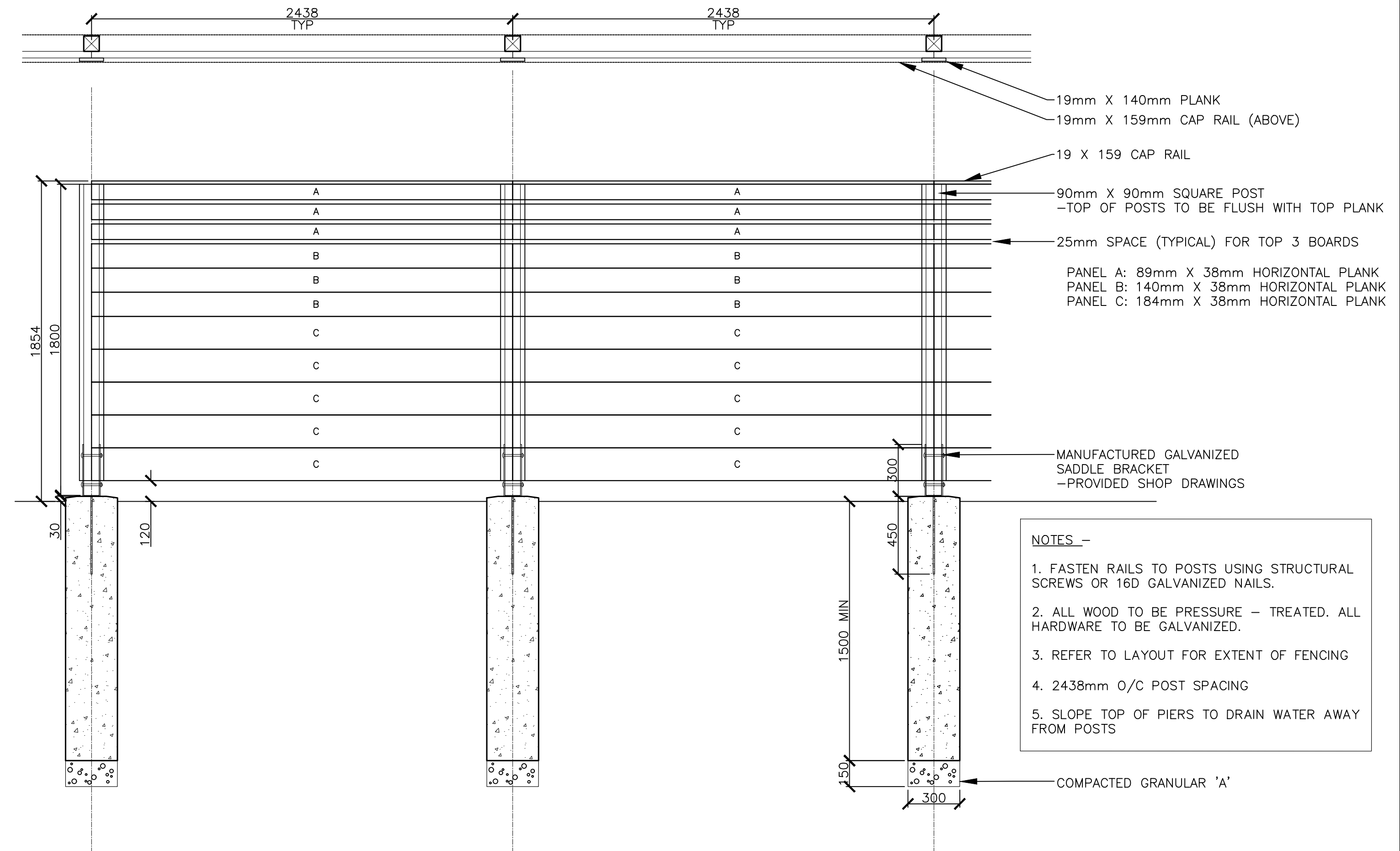
Scale:	AS NOTED	Date:	15 JUNE, 2021
Design By:	LM	Drawn By:	SW/LM
Project Number:	2096-01	Sheet Number:	L 2.0

Label Save: 2022-01-10 11:37:37 AM  
 File Location: Z:\Projects\2096-01 50 The Driveway\Drawings\SPA\SPA 04\2096-01 50 The Driveway\_SPA04(Details).dwg

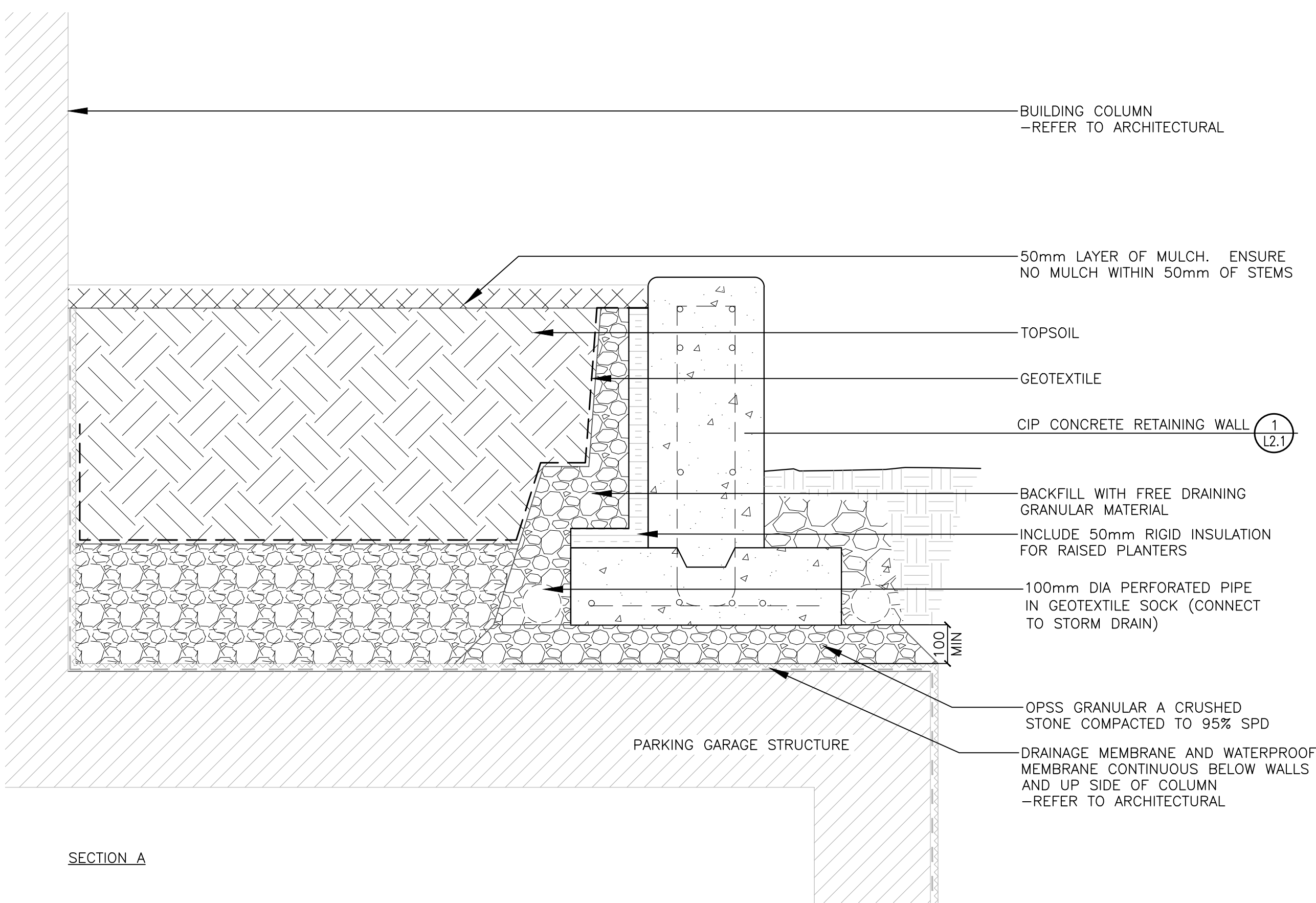
- NOTES:
1. ALL WALLS TO HAVE ARCHITECTURAL GRADE FORM WORK
  2. ALL EXPOSED SURFACES TO HAVE LIGHT SANDBLAST FINISH
  3. 25mm RADIUS ON TOP EDGES
  4. ENSURE 75mm COVERAGE OVER ALL HORIZONTAL AND VERTICAL REINFORCING
  5. BIT. FIBRE EXPANSION JOINT EVERY 4M (10M X 600mm SMOOTH STEEL DOWELS, GREASE AND SLEEVE ONE END (6 AT EACH EXPANSION JOINT), ENSURE 100mm COVER
  6. SHOP DRAWINGS TO BE SUBMITTED FOR REVIEW PRIOR TO COMMENCEMENT OF WORK
  7. VERIFY DIMENSIONS ON SITE
  8. STAMPED ENGINEER APPROVED SHOP DRAWING TO BE SUBMITTED FOR WALL OVER 600mm HT.



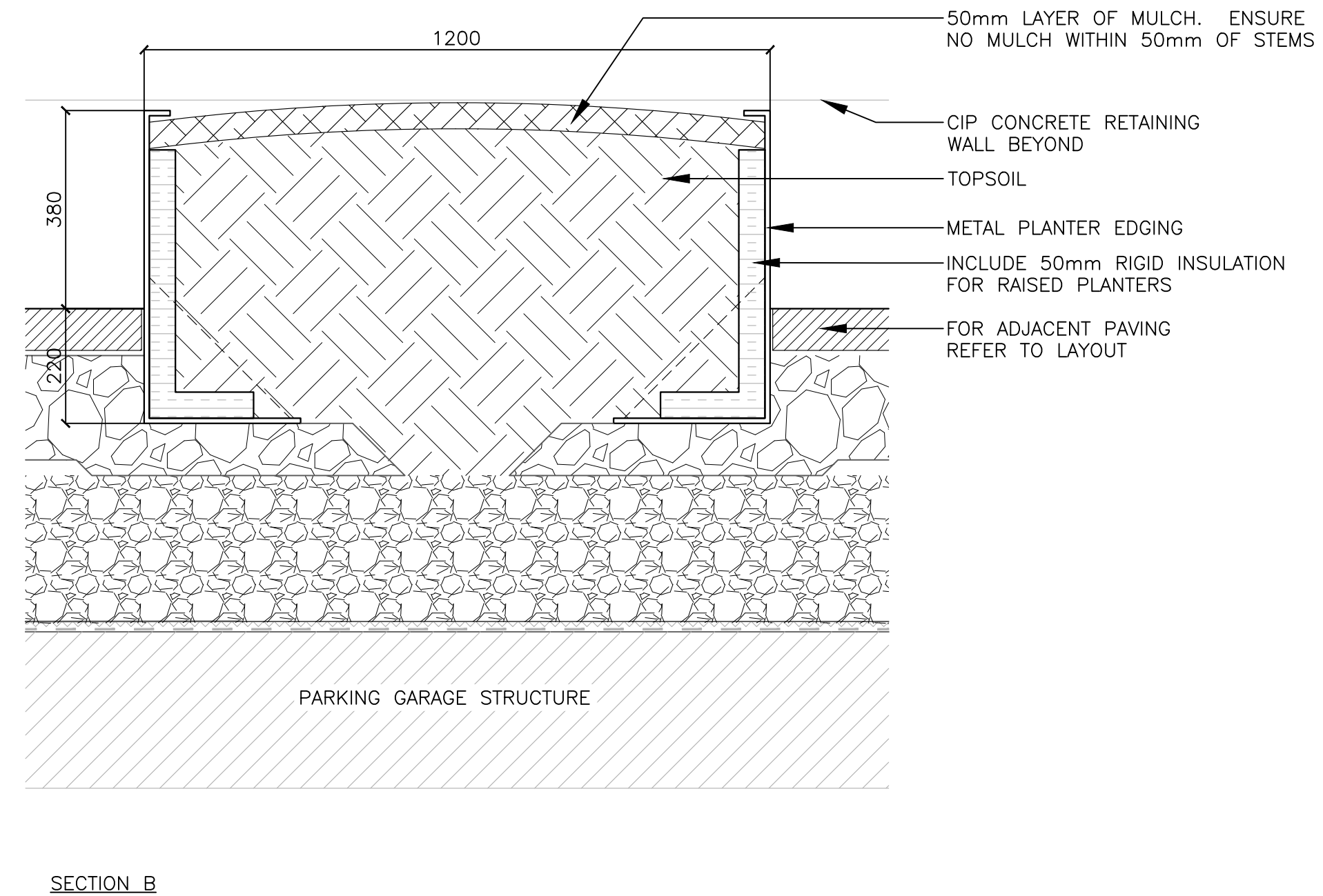
1 CIP CONCRETE RETAINING WALL Scale: 1:10



2 1.8M HEIGHT PRIVACY FENCE Scale: 1:20



3 RAISED PLANTER Scale: 1:10



No.	Revision	Date
7.	RE-ISSUED FOR SPA	10 JAN, 2023
6.	RE-ISSUED FOR SPA	29 NOV, 2022
5.	ISSUED FOR SPA	14 JUN, 2022
4.	REISSUED FOR RE-ZONING	07 DEC, 2021
3.	ISSUED FOR RE-ZONING	15 JUL, 2021
2.	ISSUED FOR REVIEW/COORDINATION	06 JUL, 2021
1.	ISSUED FOR REVIEW/COORDINATION	24 JUN, 2021

North:	Stamp:
--------	--------

**CSW** Landscape Architecture  
Urban Design  
Site Planning  
Recreation and Park Planning  
Project Management

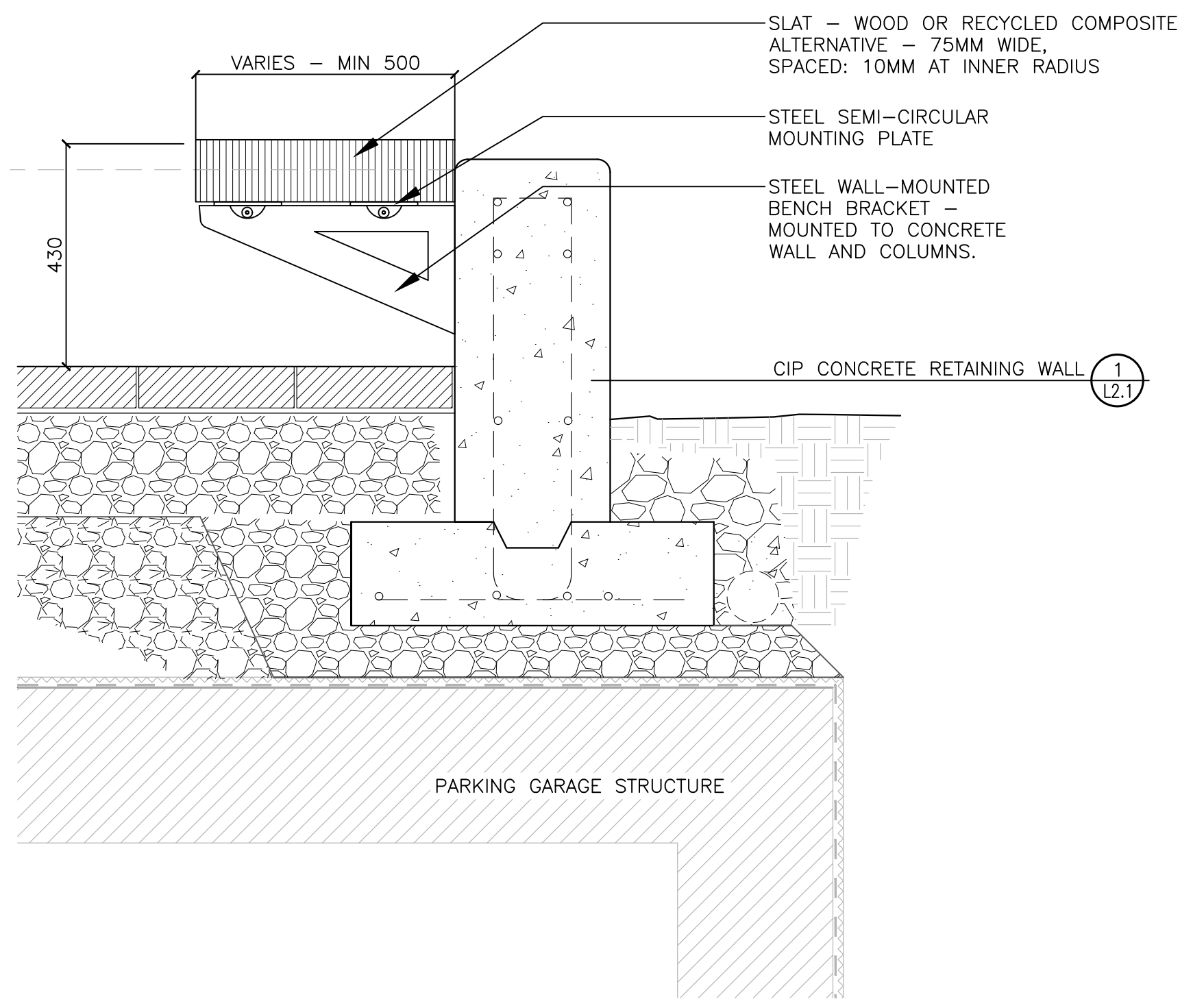
319 McRae Avenue, Suite 502, Ottawa, Ontario K1Z 0B9  
Tel: (613) 729-4536 Fax: (855) 736-9161

1. All measurements in millimeters unless specified otherwise. Do not scale drawing. All drawings to be read in conjunction with written specifications.
2. Copyright reserved. This drawing is the exclusive property of CSW Landscape Architects Ltd. and shall not be used without the consent thereof.
3. This Drawing may not be used for construction until signed by the landscape architect. It is the responsibility of the contractor to:
  - check and verify all dimensions on site;
  - report all errors and/or omissions to the landscape architect;
  - comply with all pertinent codes and by-laws;
  - check and verify locations of all underground services with all local utilities prior to any digging.

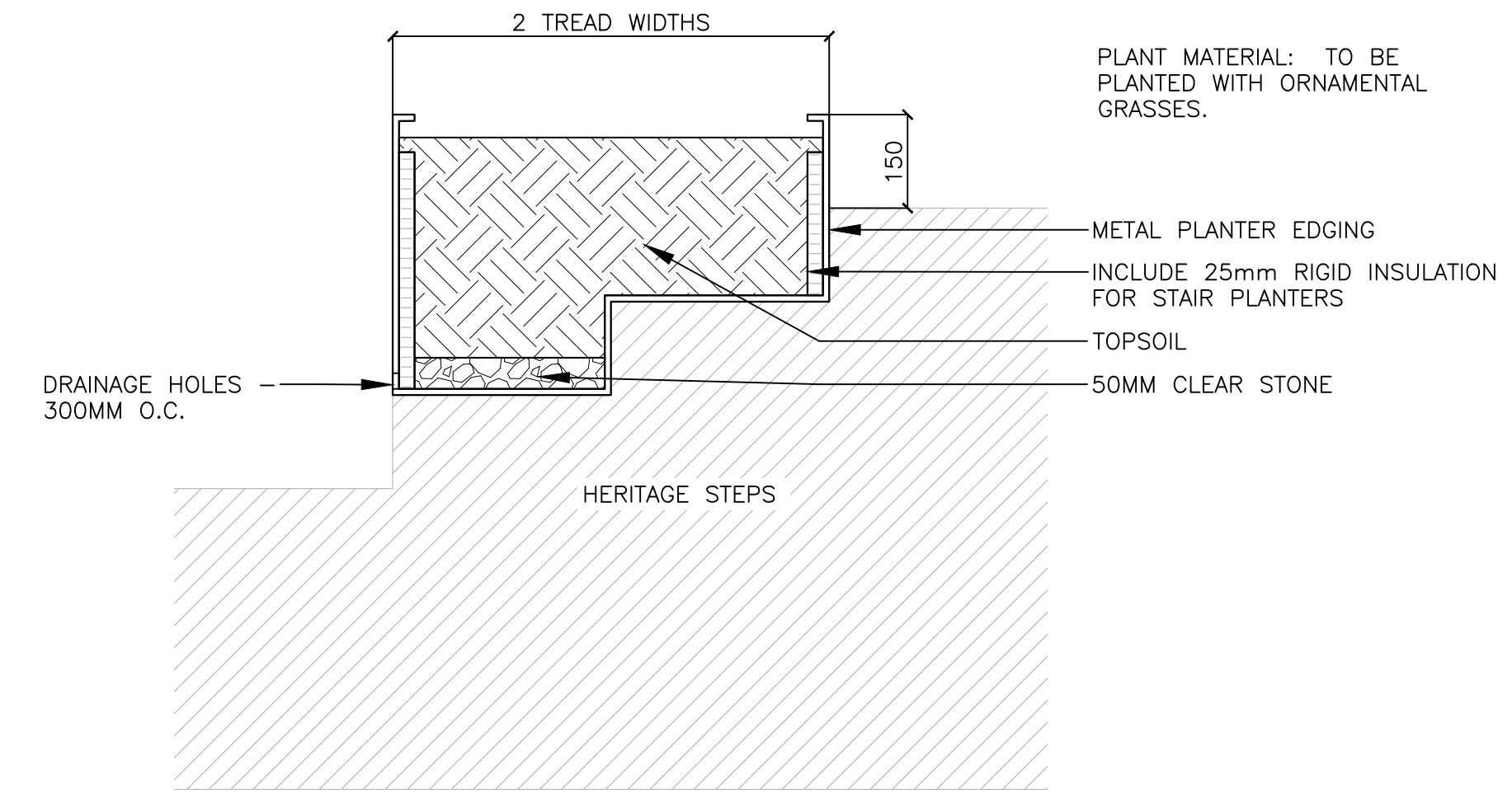
Project:  
**50 THE DRIVEWAY**  
50 THE DRIVEWAY  
OTTAWA, ONTARIO

Drawing:  
**LANDSCAPE DETAILS**

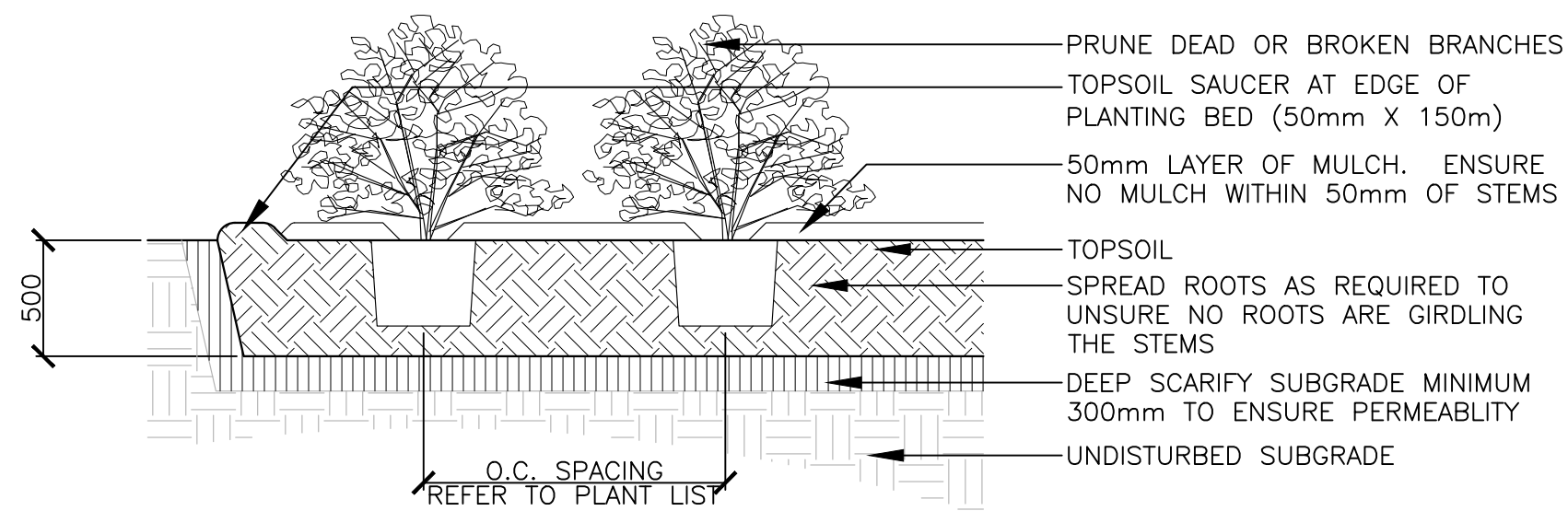
Scale: AS NOTED	Date: 15 JUNE, 2021
Design By: LM	Drawn By: SW/LM
Project Number: 2096-01	Sheet Number: L 2.1



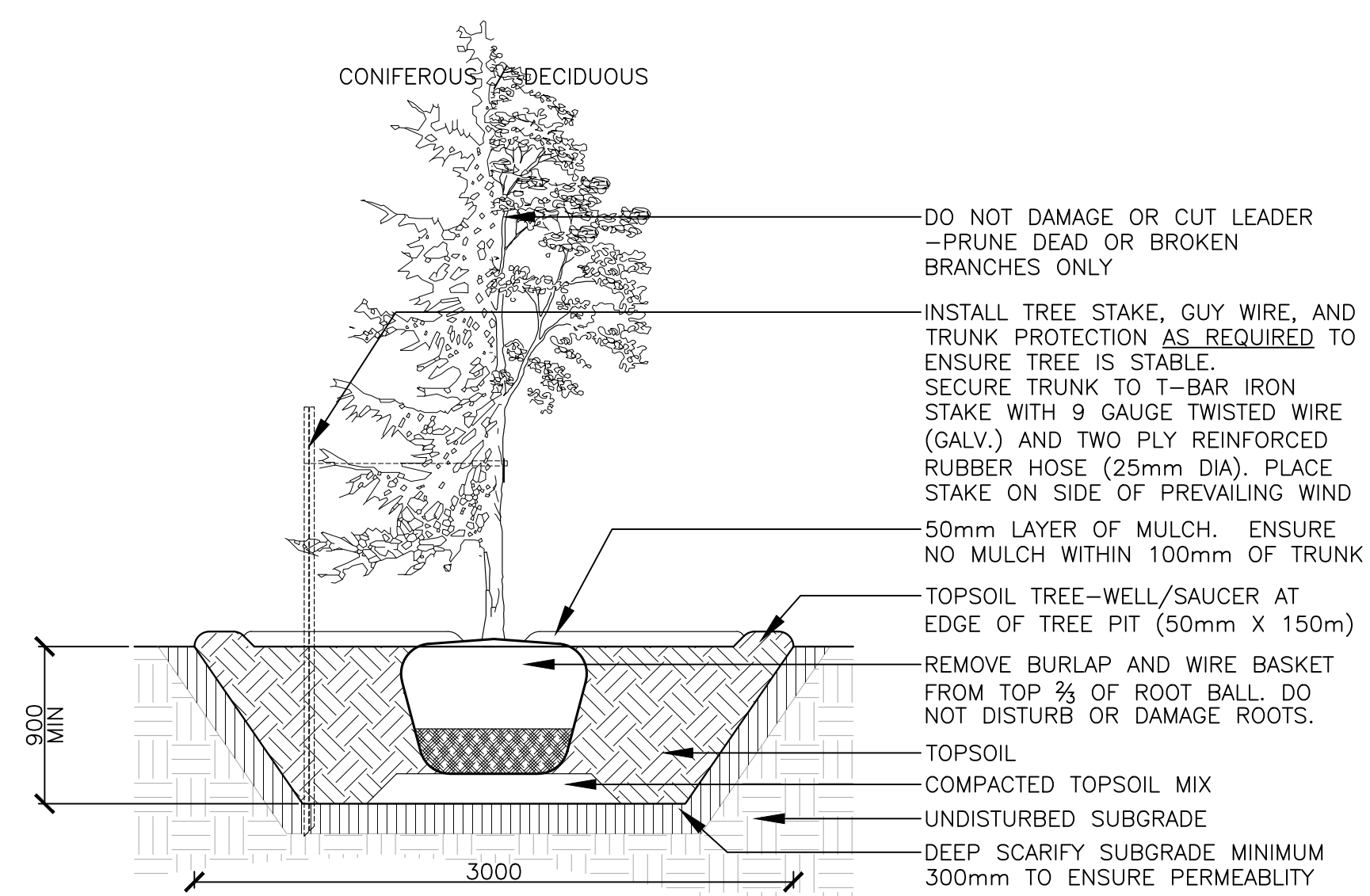
1 WALL MOUNT BENCH Scale: 1:10



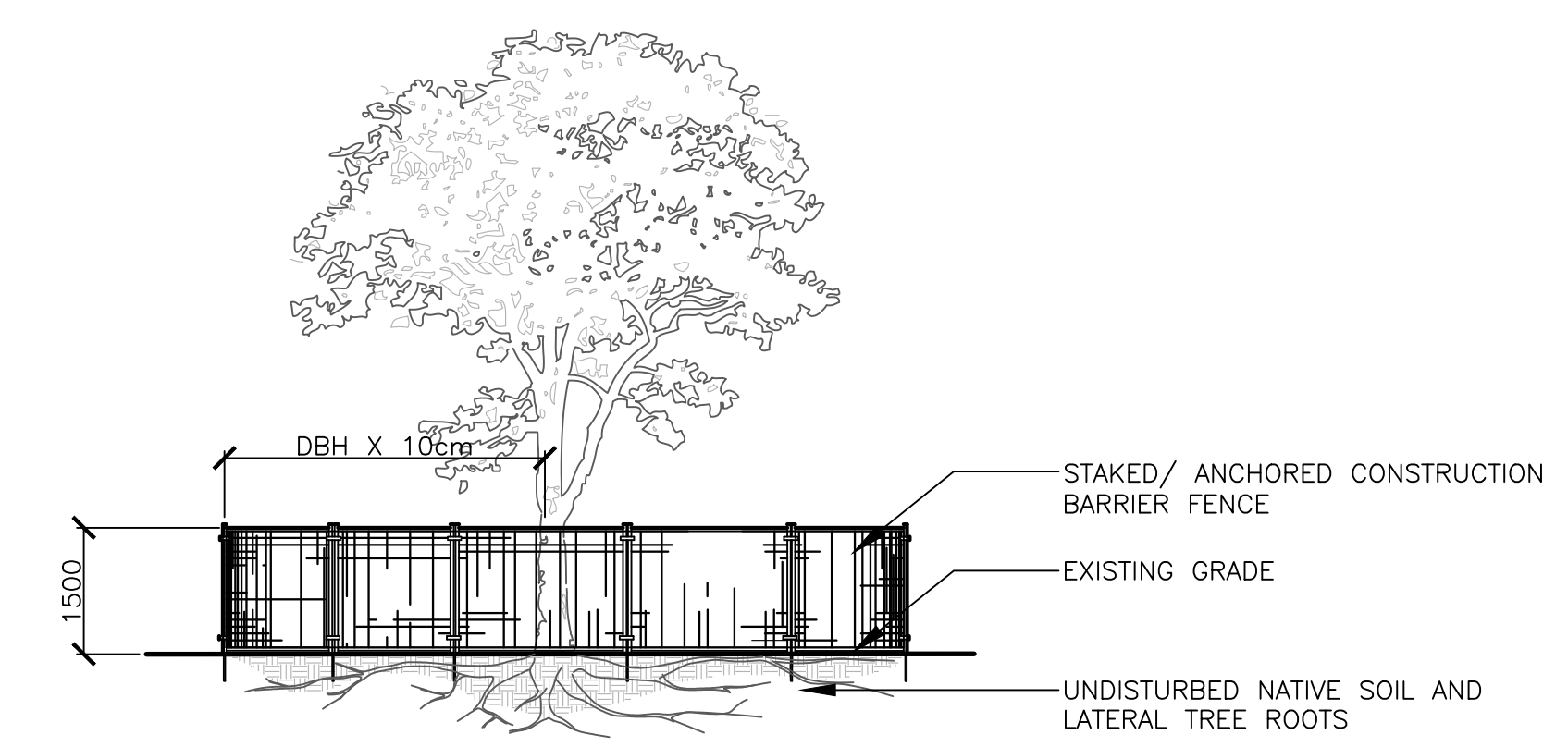
5 PLANTER ON HERITAGE STEPS Scale: 1:10



2 SHRUB PLANTING Scale: 1:30



3 TREE PLANTING Scale: 1:30



4 TREE PROTECTION FENCING Scale: 1:30

No.	Revision	Date
7.	RE-ISSUED FOR SPA	10 JAN, 2023
6.	RE-ISSUED FOR SPA	29 NOV, 2022
5.	ISSUED FOR SPA	14 JUN, 2022
4.	REISSUED FOR RE-ZONING	07 DEC, 2021
3.	ISSUED FOR RE-ZONING	15 JUL, 2021
2.	ISSUED FOR REVIEW/COORDINATION	06 JUL, 2021
1.	ISSUED FOR REVIEW/COORDINATION	24 JUN, 2021

North:	Stamp:

**CSW** Landscape Architecture  
 Urban Design  
 Site Planning  
 Recreation and Park Planning  
 Project Management

319 McRae Avenue, Suite 502, Ottawa, Ontario K1Z 0B9  
 Tel: (613) 729-4536 Fax: (855) 736-9161

- All measurements in millimeters unless specified otherwise. Do not scale drawing. All drawings to be read in conjunction with written specifications.
- Copyright reserved. This drawing is the exclusive property of CSW Landscape Architects Ltd. and shall not be used without the consent thereof.
- This Drawing may not be used for construction until signed by the landscape architect. It is the responsibility of the contractor to:
  - check and verify all dimensions on site;
  - report all errors and/or omissions to the landscape architect;
  - comply with all pertinent codes and by-laws;
  - check and verify locations of all underground services with all local utilities prior to any digging.

Project:  
**50 THE DRIVEWAY**  
 50 THE DRIVEWAY  
 OTTAWA, ONTARIO

Drawing:  
**LANDSCAPE DETAILS**

Scale:	AS NOTED	Date:	15 JUNE, 2021
Design By:	LM	Drawn By:	SW/LM
Project Number:	2096-01	Sheet Number:	L 2.2

Label Save: 2022-01-10 11:13:17 AM  
 File Location: Z:\Projects\2096-01 50 The Driveway\Drawings\SPA\SPA 04\2096-01 50 The Driveway\_SPA04(Details).dwg