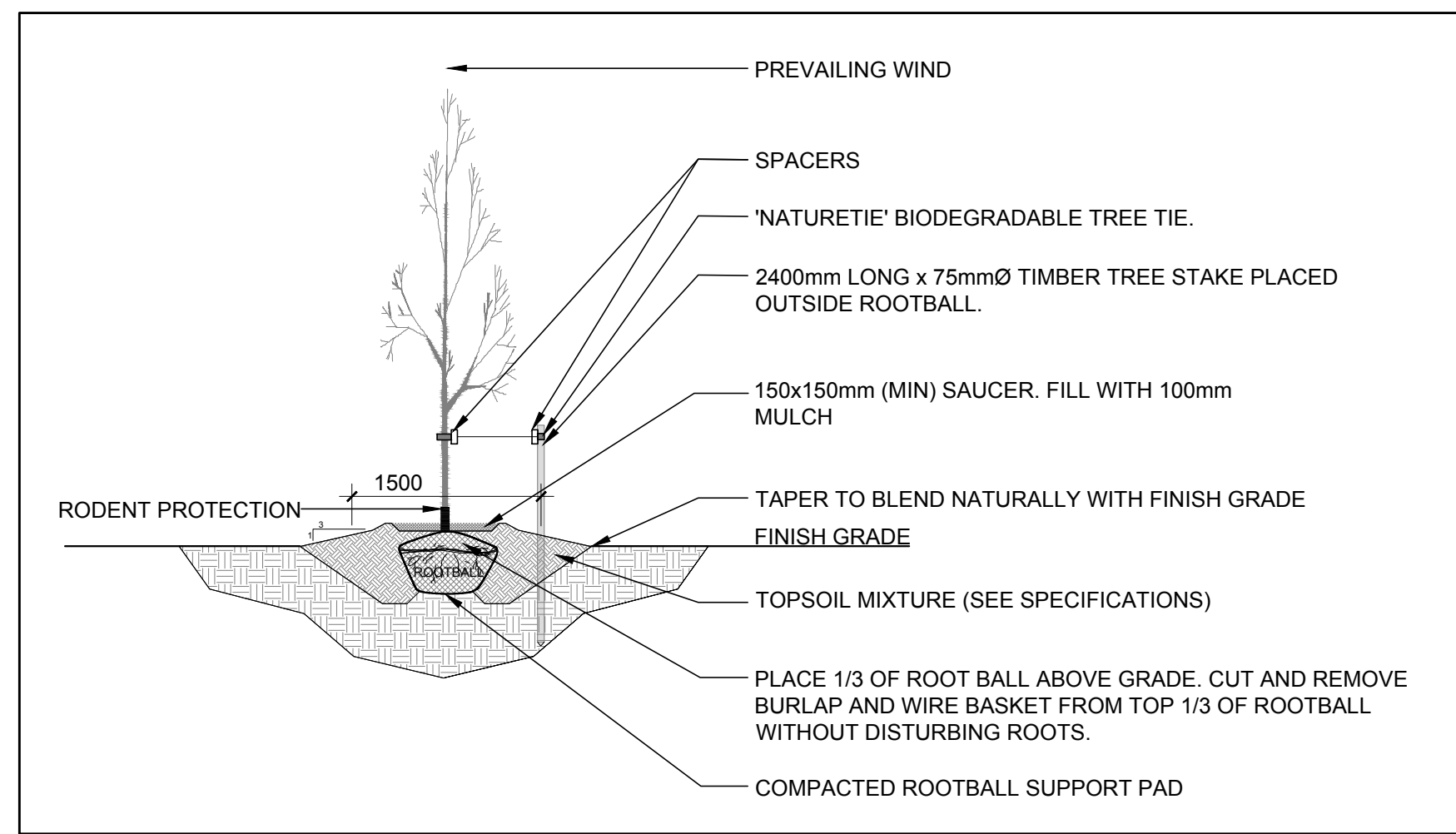
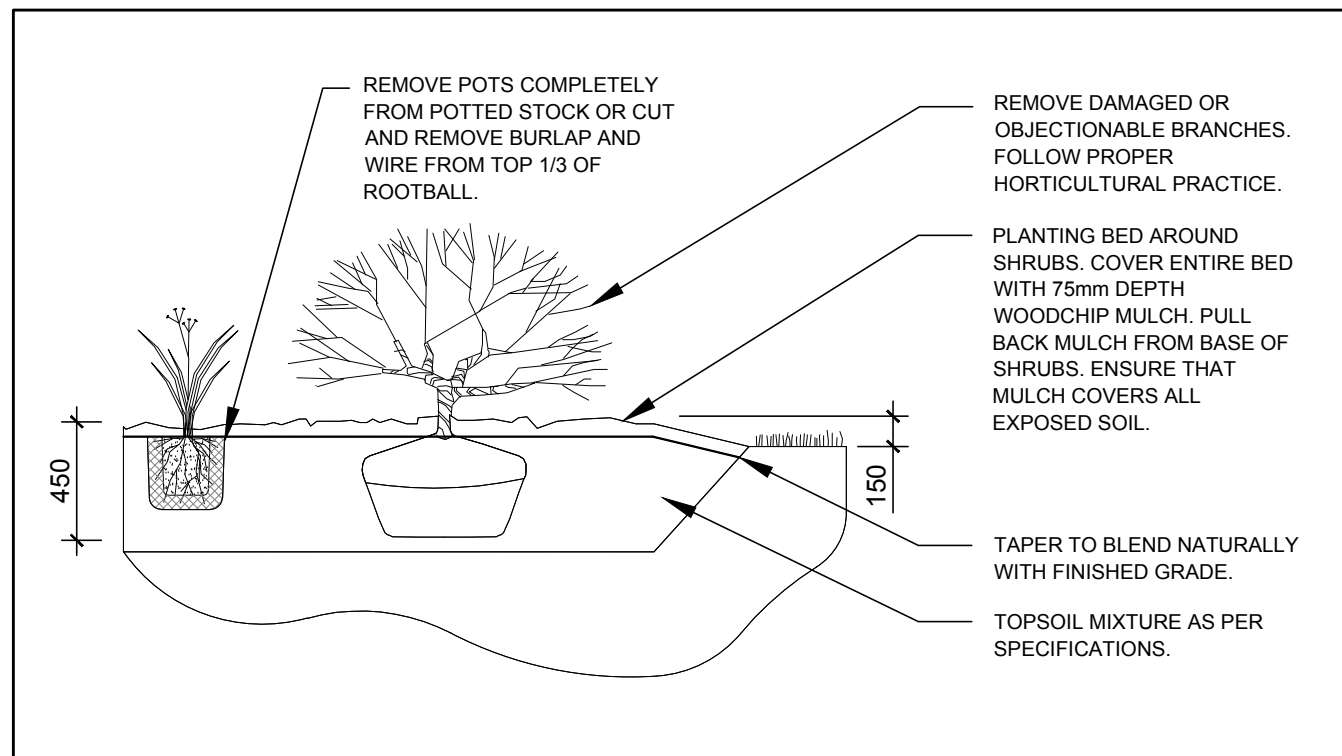


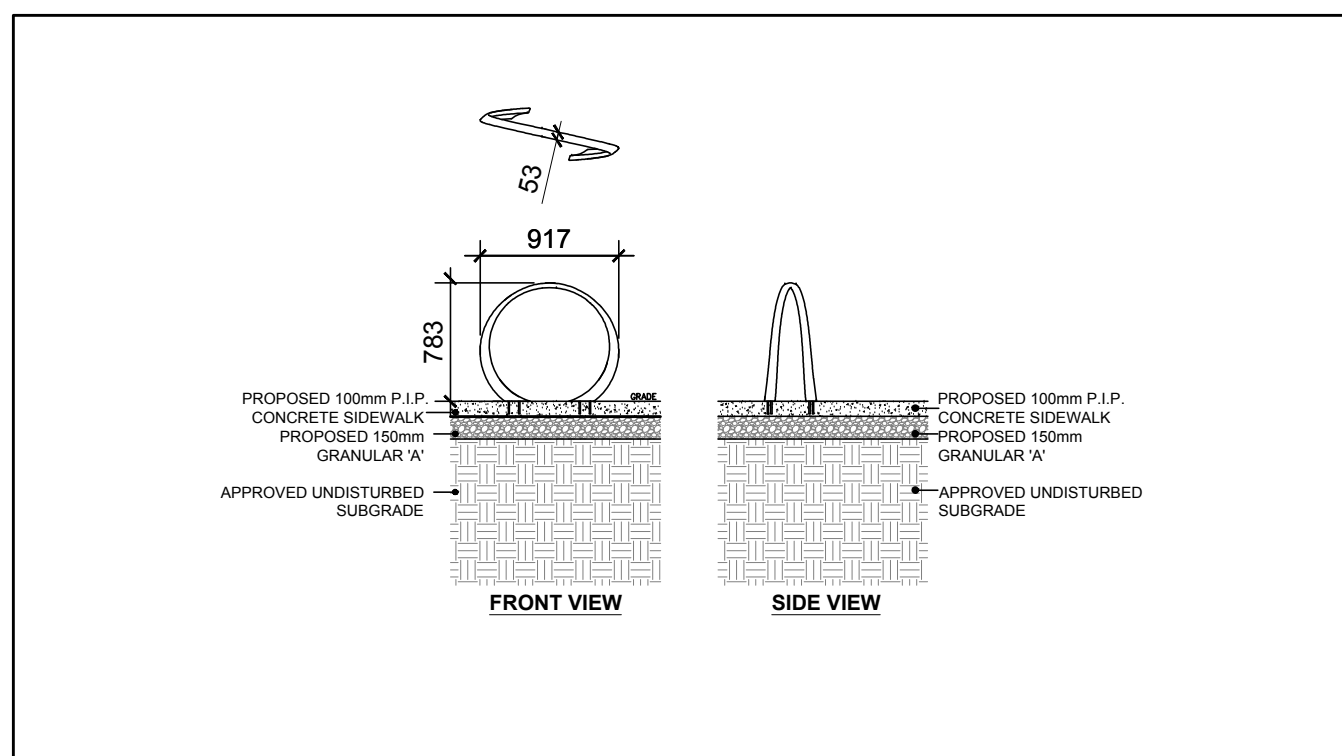
1 CONIFEROUS TREE PLANTING
L.2 SCALE: NTS



4 DECIDUOUS TREE PLANTING
L.2 SCALE: NTS



2 SHRUB / ORNAMENTAL GRASS PLANTING
L.2 SCALE: NTS



3 LOOP BIKE RACK
L.2 SCALE: NTS

CONSULTANTS
ARCHITECTS: **WARE MALCOMB**
180 BAYVIEW MILLS DRIVE, UNIT 103, VAUGHAN, ONTARIO
Tel: (905) 760-1211

CIVIL ENGINEERS: **LRJ**
LANDSCAPE ARCHITECTS

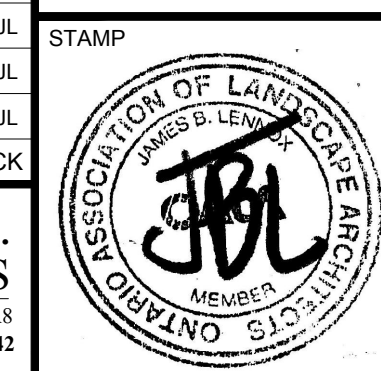
CLIENT
AVENUE 31 CAPITAL INC
801-250 City Centre, Ottawa, ON, K1R 6K7
C 613-799-2422

PROJECT
NATIONAL CAPITAL BUSINESS PARK - SITE 2
4120 RUSSEL RD (1100 & 1200 LAST MILE DR), OTTAWA

DRAWING
LANDSCAPE DETAILS

No.	Issue	Date	DR	CK
5	ISSUED FOR SITE PLAN APPROVAL	12/23/2022	ML	JL
4	ISSUED FOR DISCUSSION & REVIEW	09/19/2022	WF	JL
3	ISSUED FOR SITE PLAN APPROVAL	09/02/2022	WF	JL
2	ISSUED FOR DISCUSSION AND REVIEW	08/25/2022	WF	JL
1	ISSUED FOR DISCUSSION AND REVIEW	08/23/2022	WF	JL

JAMES B. LENNOX & ASSOCIATES INC.
LANDSCAPE ARCHITECTS
3332 CARLING AVE. OTTAWA, ONTARIO K2H 5A8
Tel: (613) 722-5168 Fax: (866) 343-3942



PROJECT NO.
22MIS2277
START DATE
AUGUST 2022
DRAWING NO.

L.2