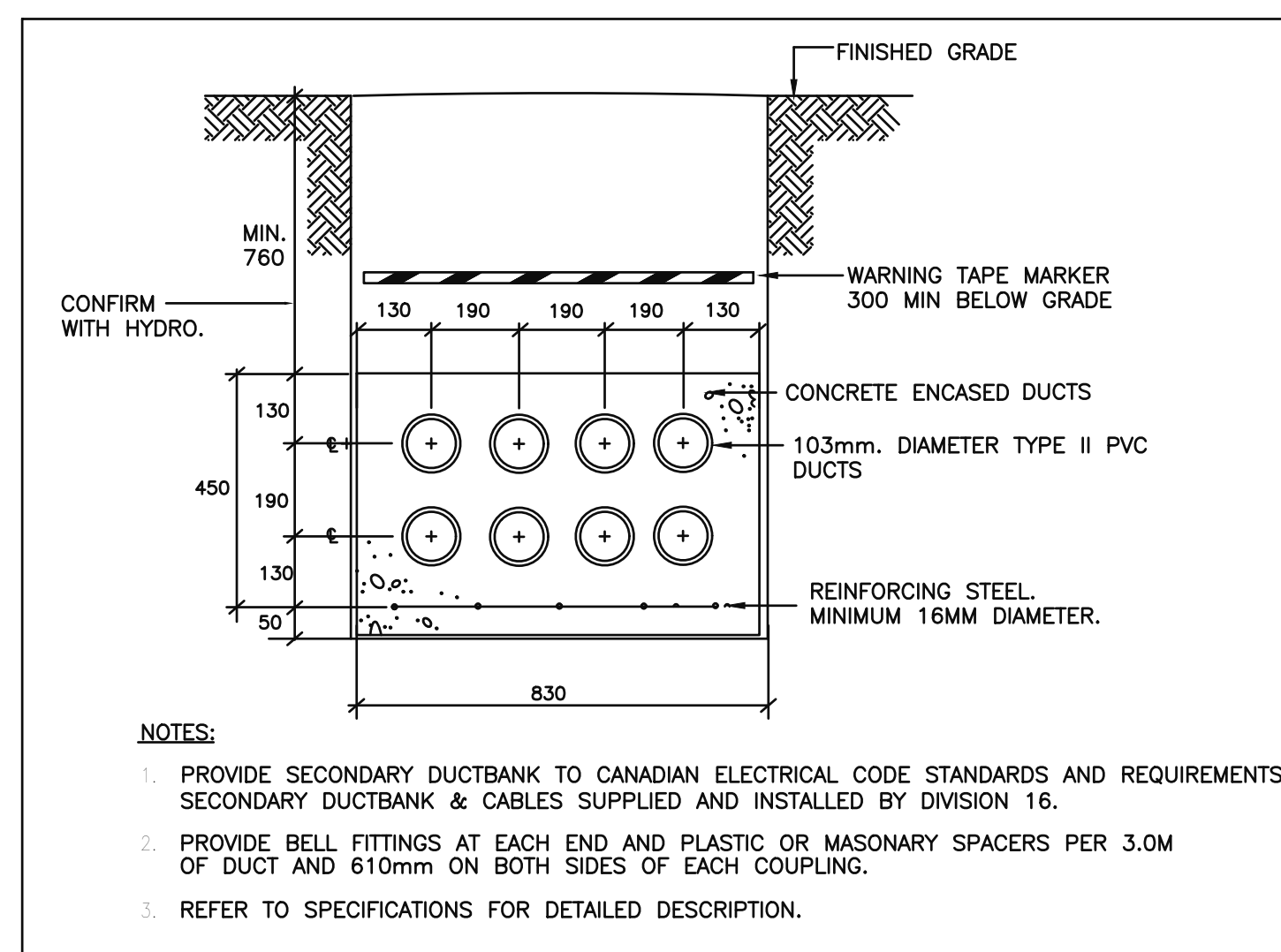
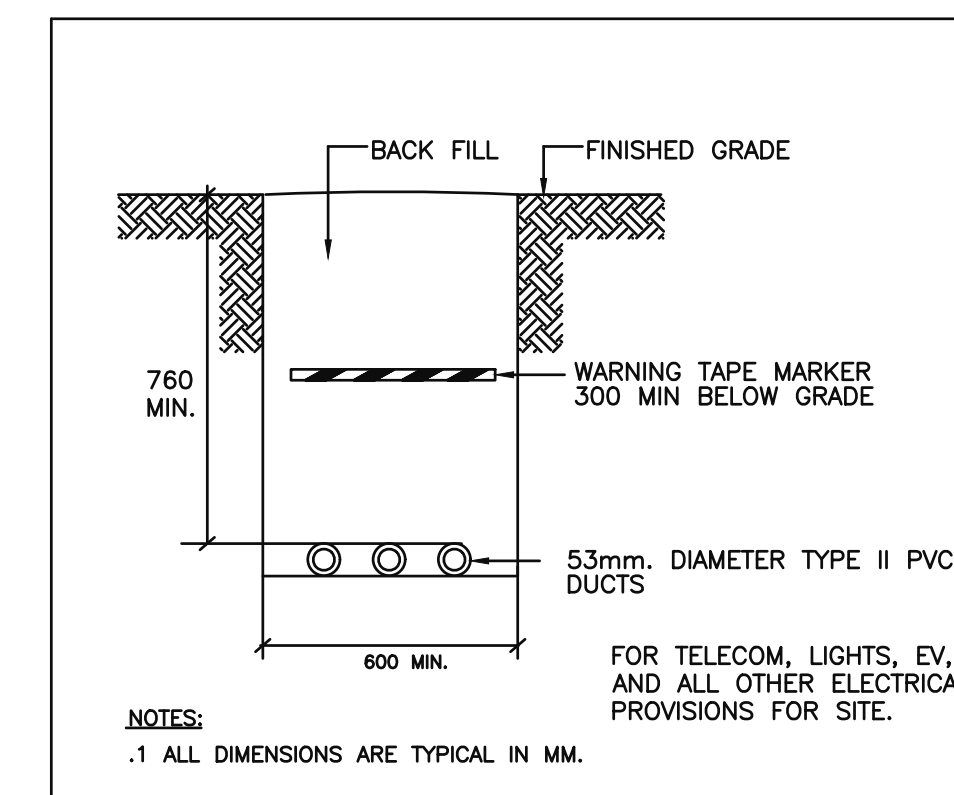


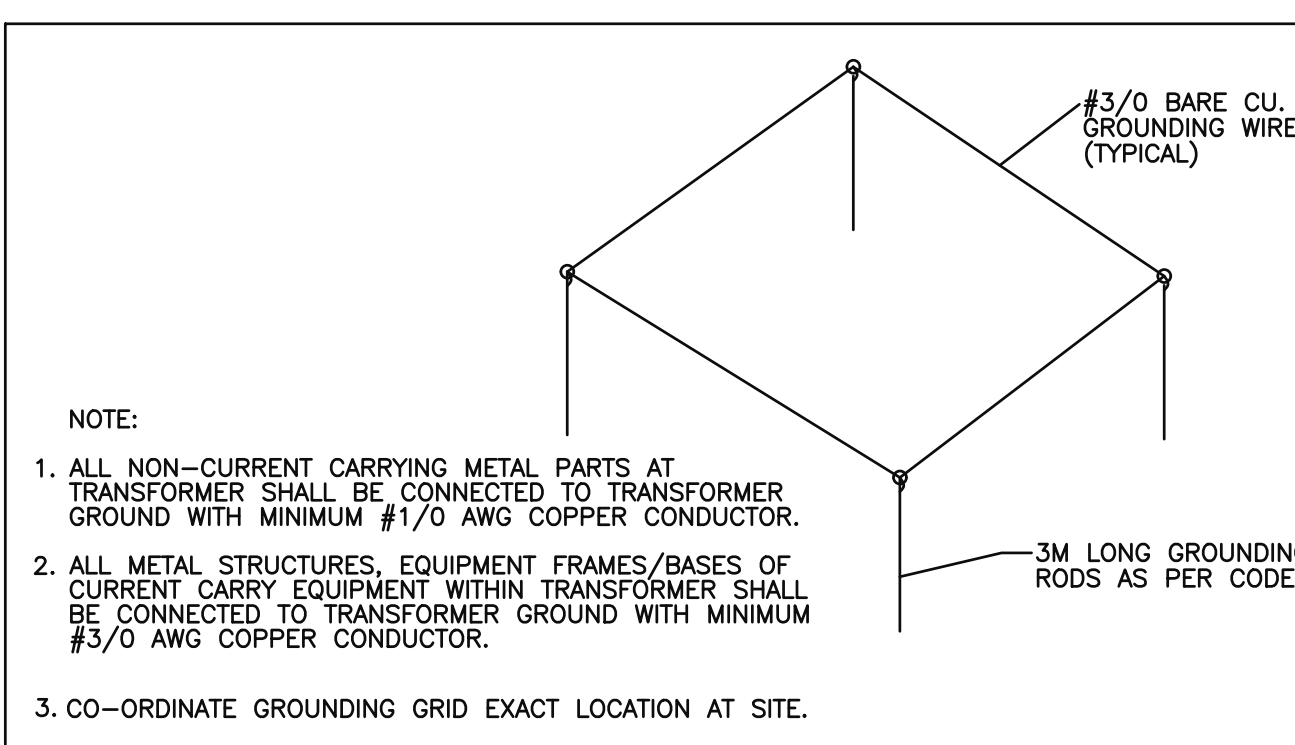
1 SITE PLAN - ELECTRICAL LAYOUT
E101 SCALE: 1:200



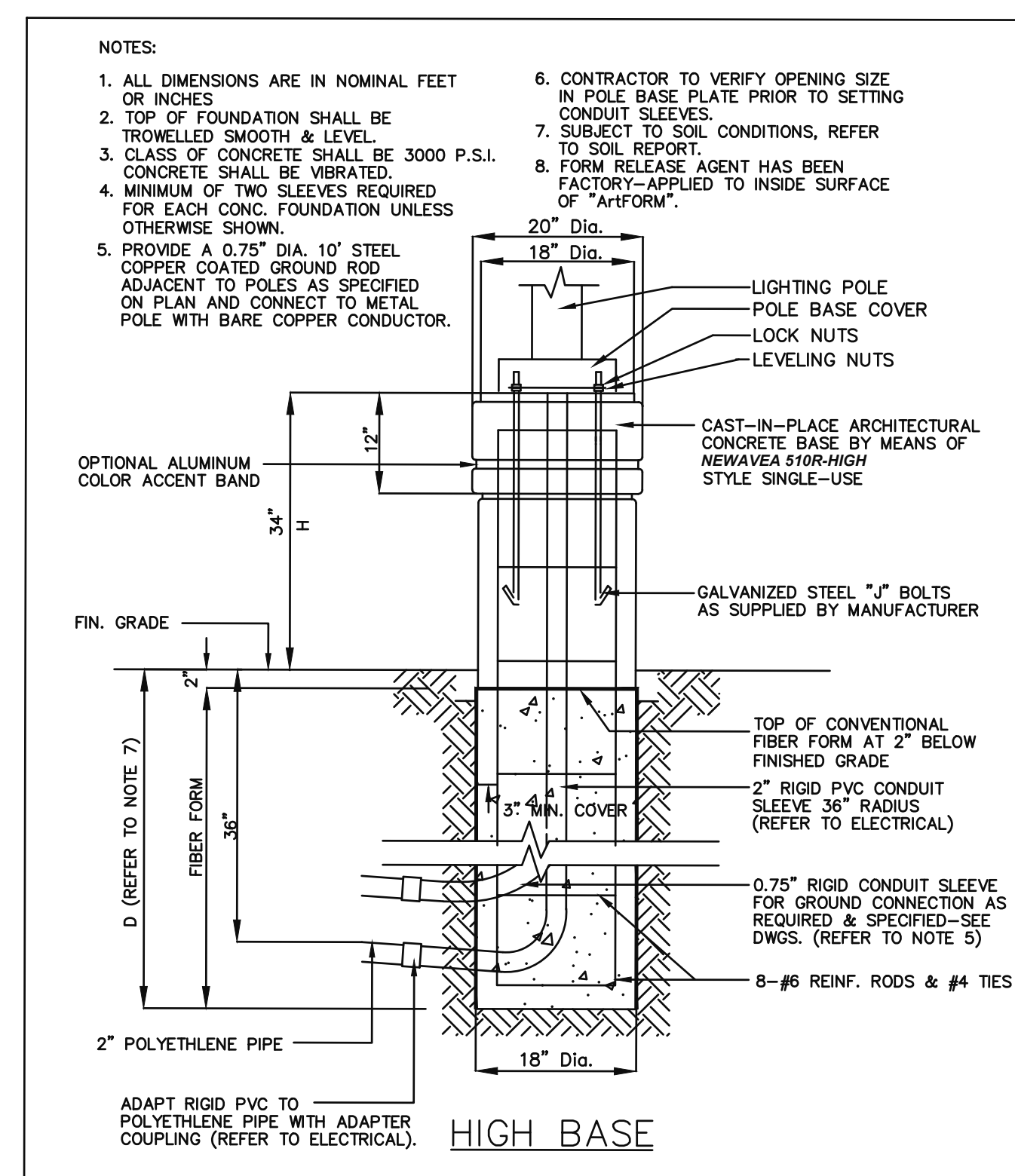
2 PRIMARY/SECONDARY DUCTBANK DETAIL
E101 N.T.S.



3 DIRECT BURIED CONDUIT DETAIL
E101 N.T.S.



4 TRANSFORMER GROUNDING DETAIL
E101 N.T.S.



5 LIGHTING STANDARD BASE DETAIL
E101 N.T.S.

- DRAWING NOTES:**
- ① RUN MINIMUM #8 AWG WIRING AND TYPE II PVC CONDUITS FOR ALL EXTERIOR LIGHTING POLE, BOLLARDS, WALL PACKS, AND FLAG POLE LIGHTING TO ENSURE NO VOLTAGE DROP EXCEEDS 2.5%.
 - ② SUN COUNTRY HIGHWAY MODEL EV40. 40A-2P, LEVEL II EV CHARGER FROM SUNCOUNTRY
 - ③ DETAILS ON THIS DRAWINGS ARE FOR INFORMATIONAL PURPOSES ONLY. ALL TRANSFORMER INSTALLATIONS, DUCTING, AND PERTAINING DEVICES TO BE INSTALLED AS PER HYDRO STANDARDS AND DETAILS. CONTRACTOR TO COORDINATE CLOSELY WITH HYDRO REPRESENTATIVE THROUGHOUT ALL INSTALLATIONS
 - ④ RESERVED
 - ⑤ PROVIDE 4 (FOUR) PROTECTIVE BOLLARDS FOR TRANSFORMER (TYPICAL FOR ALL).
 - ⑥ PADMOUNT TRANSFORMER BY HYDRO. SEE HYDRO REQUIREMENTS AND DETAILS.
 - ⑦ FOUNDATION, PAD, BOLLARDS AND GROUNDING BY ELECTRICAL CONTRACTOR PER HYDRO STANDARDS. SEE HYDRO REQUIREMENTS AND DETAILS.
 - ⑧ POTLIGHTS SHALL BE RECESSED INTO OVERHANG.
 - ⑨ POTLIGHTS SHALL BE RECESSED INTO FINISHED CANOPY CEILING.
 - ⑩ ALL PRIMARY DUCTBANK INSTALLATION TO BE AS PER HYDRO STANDARDS. CABLES SUPPLIED BY HYDRO. INSTALLED BY CONTRACTOR. CONTRACTOR TO BE IN CONSTANT COORDINATION WITH HYDRO REPRESENTATIVE THROUGHOUT ALL INSTALLATIONS. 4 DUCT ARRANGEMENT PER HYDRO STANDARDS IS TO BE INSTALLED.

No.	Date:	Issue/Revision
1	2022-12-05	ISSUED FOR SITE PLAN APPLICATION

Note:
ALL DIMENSIONS AND INFORMATION SHOWN ON THESE DRAWINGS MUST BE CHECKED AND VERIFIED ON SITE AND ANY DISCREPANCIES REPORTED TO THE ENGINEER PRIOR TO CONSTRUCTION AND FABRICATION OF ITS COMPONENTS. SHOULD EXISTING CONDITIONS OR SERVICES BE FOUND TO VARY FROM THAT INDICATED ON THE DRAWINGS, THE ARCHITECT MUST BE NOTIFIED IMMEDIATELY.

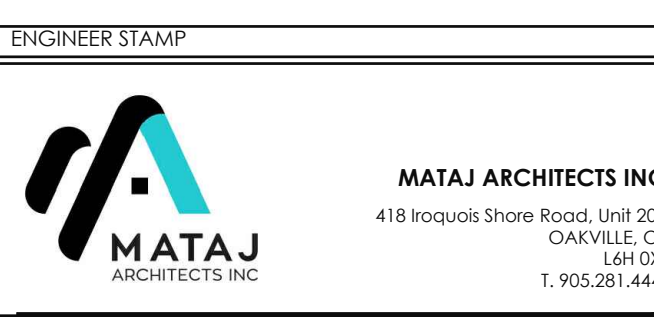
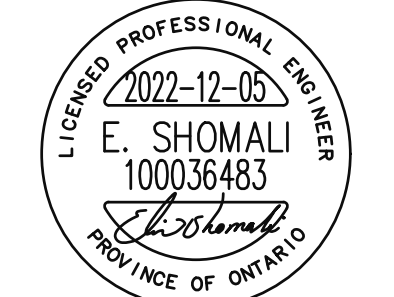
FEATURES OF CONSTRUCTION NOT FULLY SHOWN ARE ASSUMED TO BE THE SAME CHARACTER AS THOSE NOTED FOR SIMILAR CONDITIONS.

UNLESS SPECIFICALLY NOTED OTHERWISE ON THE DRAWINGS, NO PROVISION HAS BEEN MADE IN THE DESIGN FOR CONDITIONS OCCURRING DURING CONSTRUCTION. IT SHALL BE THE RESPONSIBILITY OF THE CONTRACTOR TO PROVIDE ALL NECESSARY BRACING, SHORINGS, SHEET PILING OR OTHER TEMPORARY SUPPORTS, TO SAFEGUARD ALL EXISTING OR ADJACENT STRUCTURES AFFECTED BY THIS WORK.

ALL DRAWINGS AND RELATED DOCUMENTS SHALL REMAIN THE PROPERTY AND COPYRIGHT OF EJS ENGINEERING INC. USE LATEST REVISED DRAWINGS. DO NOT SCALE DRAWINGS.



810 NIPISSING ROAD, 212-214
L9T 4Z9, MILTON, Ontario
Tel: 647 945 8484 Fax: 905 216 0898
Email: elias@ejsengineering.ca
Website: www.ejsengineering.ca



Project:
HOLIDAY INN OTTAWA
140 LUSK ST., OTTAWA, ON

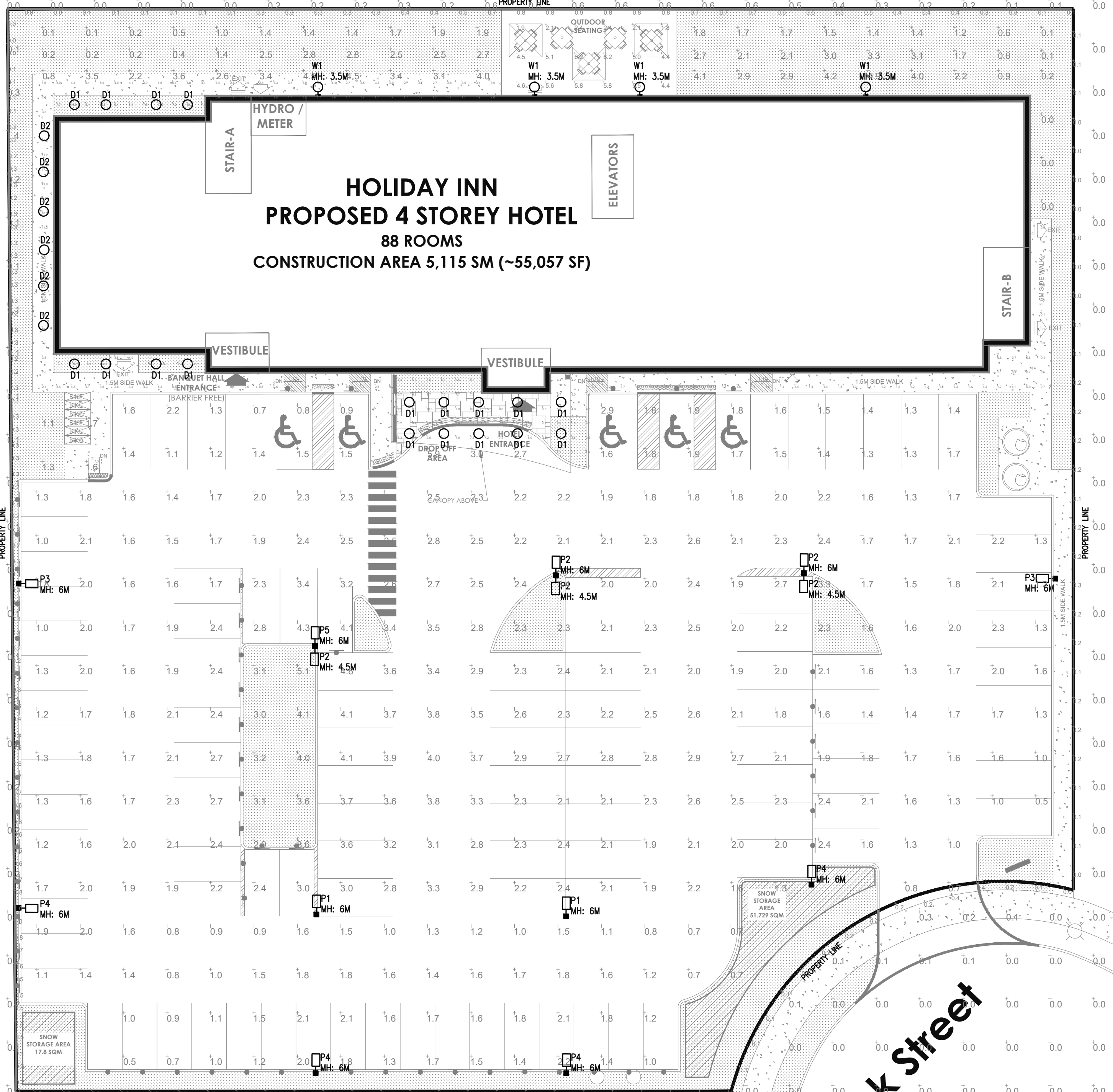
Sheet Title:
SITE PLAN - ELECTRICAL LAYOUT

Design By: N.P.	Drawn By: N.P.	Approved By: G.S.
Scale: AS SHOWN	Date:	Project No.: 138-22

Drawing No.:
E101 of:
ELECTRICAL

O'Keefe Ct

TYPES P1, P2, P3, P4, & P5



1 SITE PLAN - PHOTOMETRICS
E102 SCALE: 1:200

Symbol	Qty	Label	Arrangement	Description	LLF	Luminaire Lumens	Luminaire Watts	Total Watts
○	6	D2	Single	LFR-4RD-M-10L35K8NR-DM1_LFR-4RD-T-CL-S	0.850	963	7.6	45.6
○	4	W1	Single	TRP2-24L-30-3K7-2	0.850	3366	27.9	111.6
○	13	D1	Single	LFR-4RD-M-10L35K8XW-DM1_LFR-4RD-T-CL-SS	0.850	903	7.6	98.8
□	1	P5	Back-Back	VP-1-36L-85-4K7	0.850	10109	83.6	167.2
□	2	P1	Single	VP-1-36L-55-3K7-4F	0.850	6636	56.8	113.6
□	4	P4	Single	VP-1-160L-50-3K7-4F-BC	0.850	3467	50.5	202
□	2	P3	Single	VP-1-160L-50-3K7-3-BC	1.000	4055	50.5	101
□	2	P2	Back-Back	VP-1-36L-55-3K7-4F	0.850	6636	56.8	227.2

Label	CalcType	Units	Avg	Max	Min	Avg/Min	Max/Min
AMENITY AREA	ILLUMINANCE	Fc	4.21	6.2	1.8	2.34	3.44
BLDG PERIMETER	ILLUMINANCE	Fc	3.48	17.2	0.0	N.A.	N.A.
FRONT ENTRANCE	ILLUMINANCE	Fc	6.19	10.5	1.7	3.64	6.18
PARKING LOT	ILLUMINANCE	Fc	2.05	5.9	0.5	4.10	11.80
PROPERTY LINE	ILLUMINANCE	Fc	0.31	1.0	0.0	N.A.	N.A.
SPILL LIGHT_Planar	ILLUMINANCE	Fc	0.00	0.6	0.0	N.A.	N.A.

BEACON
GEOPAK Series 2 Low Glare
SIZE 2 - 18" x 24" (2) LOW GLARE

DATE: _____ LOCATION: _____
TYPE: _____ PROJECT: _____
CATALOG #: _____

SPECIFICATIONS

Applications: Medium sized architectural walkways in two style shapable building architecture and provide excellent illumination and uniformity.

Construction:

- Die-cast aluminum housing and door
- Seven powder coat standard finishes, plus custom color options

LED Optics:

- Precision crafted optics and reflectors provide up to 150 LPW and zero glare over the lens for maximum visual comfort
- Wide Throw and Forward Throw distributions available
- 3000K - 70 CR, 4000K - 70 CR, and 5000K - 70 CR, CRI 90 minimum
- Optional Dual Drivers & Dual Power Feeds for 50 and 70 watt versions
- 120-277, 347 and 480 voltage, 50/60Hz
- Power factor > 90%
- THD (Total Harmonic Distortion) < 20%
- Ambient operating temperature -40°C to 40°C

Installation/Mounting:

- Quick-mount adapter with gasket seal provides easy installation to wall or 4" recessed junction box (4" square junction box. Fixture attaches by two Allen-head hidden fasteners for tamper resistance.
- Blank box necessary available for surface conduit application

Options/Controls:

- Drivers are 0-10V dimming standard
- Universal button photocell for dusk to dawn energy savings
- Occupancy sensor options available for complete on/off and dimming control

Secondary Distribution:

- Optional secondary distributions provide approximately 5% uplight for lighting building facades and/or crowding distracting lighting for under canopy applications
- Available in three distribution including Wall Graz, Spot/Column and Canopy

Listings:

- UL ETL listed housing
- DesignLights Consortium® (DLC) qualified
- Please refer to the DLC website for specific product qualifications at www.dlc.org
- Zero uplight (ZU), dark sky neighbor friendly (includes uplight version)
- Drivers IP66 and RoHS compliant

Warranty:

- 5 year warranty

CERTIFICATIONS/LISTINGS

UL ETL, DLC, IES, 3000K and higher CCT only

ORDERING INFORMATION ORDERING EXAMPLE: TRP2-2-30-3K7-FT-UNV-UG-ET-PC

FAMILY	LEDS - WATTAGE	DISTRIBUTION	VOLTAGE	FINISH	CONTROL OPTIONS	OPTIONS
TRP2	30W	30W Low Glare Diffuse	120/277V	BL Black Textured	PC Button-Photocell	SP Single Face & Frame Holder
NR2	30W	30W Low Glare Diffuse	120/277V	DB Dark Bronze Textured	SCP Programmable occupancy sensor, factory default	DF Double Face & Frame Holder
DR2	30W	30W Low Glare Diffuse	240/347V	GT Graphite Textured	SCP Sensor Control, 0-10V/0-100%	DP Dual Drivers
			277/277V	ETS Light Gray Smooth	SPEC SCP/50% MOUNT HEIGHT	ZPP Dual Power Feeds
			480/480V	PS Platinum Silver Smooth	-SF Up to 90° mount height	
			480/480V	WN White Textured	-2SF Up to 0°/180° mount height	
				CC Custom Color		

SECONDARY DISTRIBUTION

Blank UP Uplight Diffuse
UP Uplight Grid Glass
UC Uplight Canopy
USP Uplight Spot/Column

Current® currentlighting.com/beacon

prescolite
LFR-4RDS
LITEFRAME 4" ROUND SHALLOW DOWNLIGHT

DATE: _____ LOCATION: _____
TYPE: _____ PROJECT: _____
CATALOG #: _____

FEATURES

- 4" LED shallow downlight delivering 1000-3000 lumens
- Direct install from below ceiling for New Construction or Remodel applications
- Optional housing accessories available
- Four beam distributions
- 2700K-5000K, 80+ and 90+ CRI to SDCM
- Dimming protocols include 0-10V, Phase (Forward/Reverse), DALI DMX, Lutron 2-wire Forward Phase, and Ecosystem
- NX Distributed Intelligence™ wired and wireless controls capability available

RELATED PRODUCTS

LFR-4RD, LFR-4DA, LFR-4DF, LFR-4FA, LFR-4FB, LFR-4FC, LFR-4FD, LFR-4FE, LFR-4FF, LFR-4FG, LFR-4FH, LFR-4FI, LFR-4FJ, LFR-4FK, LFR-4FL, LFR-4FM, LFR-4FN, LFR-4FO, LFR-4FP, LFR-4FQ, LFR-4FR, LFR-4FS, LFR-4FT, LFR-4FU, LFR-4FV, LFR-4FW, LFR-4FX, LFR-4FY, LFR-4FZ

SERVICE PROGRAMS

STOCK

CONTROL TECHNOLOGY

NX DISTRIBUTED INTELLIGENCE

SPECIFICATIONS

CONSTRUCTION

- Standard Fixture Module designed for Non-IC, Direct install construction
- Optional Non-IC frame or IC housing available with pre-installed bar hangers
- Die cast aluminum fixture module supporting ring with spring steel clips for secure mounting to ceiling
- Driver's i-Box can be installed and accessed from below the ceiling an recessed install or easily snap on to optional housings
- Light Engine connections use premium rated CMR cable
- Remote emergency battery option available

ELECTRICAL

- Chip-on-board LED with 2 SDCM
- Multiple CCTs, 80+ or 90+ CRI
- Long LED life: L90 at >50,000 hours (TM-2)
- Universal voltage 120-277V driver, 347V optional
- UL Class 2, inherent short circuit and overload protection, RoHS compliant
- 0-10V, Phase (Forward/Reverse), DALI, DMX, Lutron 2-wire Forward Phase, and Ecosystem options
- Flicker-free dimming options in a wide range of protocols from 0% to 100% performance
- 60° visual cutoff to minimize glare and 45° cutoff to source
- Fixture Module including driver fully accessible from above or below the ceiling
- 10L-5L Fixture Modules are inherently protected IC without the use of IC housing enclosure. IC housing is still recommended when using loose-fill or spray foam insulation types.)

CERTIFICATIONS

- c-ULus certified to UL 1598
- For 30L: Marked spacing required 36" fixture center to center; 36" fixture center to building member; 120" above fixture
- Suitable for damp locations
- EMR: Certified under UL 924 standard for emergency lighting and power equipment
- Approved for 8 ft link out No. 22AWG conductors rated for 90°C through wiring

WARRANTY

- 5 year warranty
- See UL Standard Warranty for additional information

INSTALLATION

- Accommodates ceiling thickness from 0.50" to 2.50"
- 60° visual cutoff to minimize glare and 45° cutoff to source
- Fixture Module including driver fully accessible from above or below the ceiling
- 10L-5L Fixture Modules are inherently protected IC without the use of IC housing enclosure. IC housing is still recommended when using loose-fill or spray foam insulation types.)

KEY DATA

Lumen Range	1000-3000
Wattage Range (LPW)	8-29
Reported Life (Hours)	103,500
Input Current (mA)	66-242 (20/20)

Hubbell Lighting

No.	Date:	Issue/Revision
1	2022-12-05	ISSUED FOR SITE PLAN APPLICATION

Note:
ALL DIMENSIONS AND INFORMATION SHOWN ON THESE DRAWINGS MUST BE CHECKED AND VERIFIED ON SITE AND ANY DISCREPANCIES REPORTED TO THE ENGINEER PRIOR TO CONSTRUCTION AND FABRICATION OF ITS COMPONENTS. SHOULD EXISTING CONDITIONS OR SERVICES BE FOUND TO VARY FROM THAT INDICATED ON THE DRAWINGS, THE ARCHITECT MUST BE NOTIFIED IMMEDIATELY.

FEATURES OF CONSTRUCTION NOT FULLY SHOWN ARE ASSUMED TO BE THE SAME CHARACTER AS THOSE NOTED FOR SIMILAR CONDITIONS.

UNLESS SPECIFICALLY NOTED OTHERWISE ON THE DRAWINGS, NO PROVISION HAS BEEN MADE IN THE DESIGN FOR CONDITIONS OCCURRING DURING CONSTRUCTION. IT SHALL BE THE RESPONSIBILITY OF THE CONTRACTOR TO PROVIDE ALL NECESSARY BRACING, SHORINGS, SHEET PILING OR OTHER TEMPORARY SUPPORTS TO SAFEGUARD ALL EXISTING OR ADJACENT STRUCTURES AFFECTED BY THIS WORK.

ALL DRAWINGS AND RELATED DOCUMENTS SHALL REMAIN THE PROPERTY AND COPYRIGHT OF E.JS ENGINEERING INC. USE LATEST REVISED DRAWINGS. DO NOT MAKE E.D.S.

EJS
ENGINEERING

810 NIPISSING ROAD, 212-214
L9T 4Z9, MILTON, Ontario
Tel: 647 945 8484 Fax: 905 216 0898
Email : ellias@ejsengineering.ca
Website: www.ejsengineering.ca

ENGINEER STAMP

MATAJ ARCHITECTS INC.
418 Ingaqu Shore Road, Unit 206,
CAKVILLE, ON
L4H 0X7
T. 905.281.4444

Project:
HOLIDAY INN OTTAWA
140 LUSK ST., OTTAWA, ON

Sheet Title:
SITE PLAN - PHOTOMETRICS

Design By: N.P.	Drawn By: N.P.	Approved By: G.S.
Scale: AS SHOWN	Date: 138-22	Project No.:
Drawing No.:	E102	
Drawing Series:	ELECTRICAL	