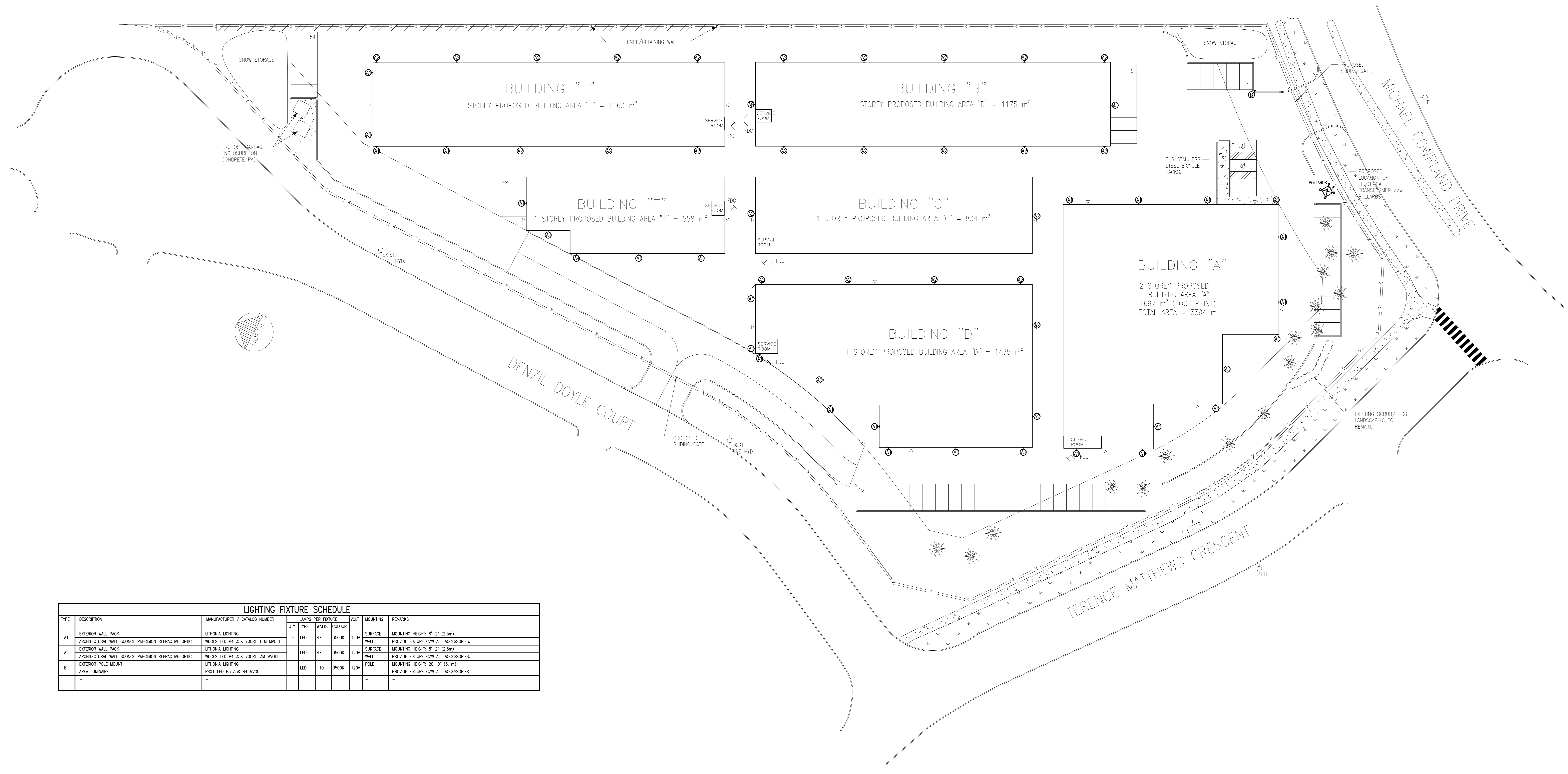


# ACCESS STORAGE

60 DENZIL DOYLE COURT, OTTAWA, ON  
ELECTRICAL



Client



LIGHTING FIXTURE SCHEDULE						
TYPE	DESCRIPTION	MANUFACTURER / CATALOG NUMBER	QTY	TYPE	WATTAGE	VOLTS
A1	EXTERIOR WALL PACK ARCHITECTURAL WALL SOURCE PRECISION REFRACTIVE OPTIC	LITHONIA LIGHTING WIDE2 LED P4 35K 700R 87M MWSLT	47	LED	3500K	120V
A2	EXTERIOR WALL PACK ARCHITECTURAL WALL SOURCE PRECISION REFRACTIVE OPTIC	LITHONIA LIGHTING WIDE2 LED P4 35K 700R 13M MWSLT	47	LED	3500K	120V
B	EXTERIOR POLE MOUNT AREA LUMINAIRE	LITHONIA LIGHTING P5X1 LED P3 35K R4 MWSLT	110	LED	3500K	120V
-	-	-	-	-	-	-
-	-	-	-	-	-	-

DATE	REVISION	REF
2021-12-16	ISSUED FOR SITE PLAN	0

THE ENGINEER MAKES NO WARRANTY AND ALL RESPONSIBILITY AND LIABILITY FOR PROBLEMS WITHIN THESE PLANS SHALL BE THE RESPONSIBILITY OF THE CLIENT. THE ENGINEER'S LIABILITY IS LIMITED TO THE DESIGN AND CONSTRUCTION OF THE ELECTRICAL SYSTEM AS SHOWN ON THESE PLANS. THE ENGINEER IS NOT RESPONSIBLE FOR ANY OTHER WORK NOT SHOWN ON THESE PLANS. THIS DRAWING IS THE PROPERTY OF GOODKEY WEEDMARK & ASSOCIATES LIMITED AND IS NOT TO BE REPRODUCED OR TRANSMITTED IN ANY FORM OR BY ANY MEANS, WITHOUT EXPRESS WRITTEN CONSENT. DO NOT SCALE DRAWINGS.

L'INGÉNIEUR DÉCLINE TOUTE RESPONSABILITÉ DÉCOULANT DE PROBLÈMES FAISANT SUITE À UN NON RESPECT DES PLANS, SOUS CE DE L'INTENTION DU CONCEPTEUR. L'INGÉNIEUR DE LA PROJET NE GARANTIT PAS LA QUALITÉ DE LA CONSTRUCTION NI LA DURÉE DE SA DURÉE. CE BESOIN EST LA PROPRIÉTÉ DE GOODKEY WEEDMARK & ASSOCIATES LIMITED ET NE DOIT PAS ÊTRE REPRODUIT NI TRANSMIS EN AUCUNE MANIÈRE, SANS LE CONSENTEMENT ÉCRIT DE L'AUTEUR. NE PAS MESURER LES BESOINS À L'ÉCHELLE.

**Goodkey Weedmark Consulting Engineers**  
 GOODKEY WEEDMARK & ASSOCIATES LIMITED  
 1688 Woodward Dr. Ottawa, Ontario K2C 3J8  
 613 727-5111 Voice  
 613 727-5115 Fax  
 www.gwe.com Web

Project north  
 Nord du projet

Signed/Scanned

Project/Projet  
**ACCESS STORAGE**  
**60 DENZIL DOYLE CT.**  
**OTTAWA ON**

Drawing/Plan  
**ELECTRICAL SITE PLAN**

Scale/Echelle: AS NOTED / 2021-566

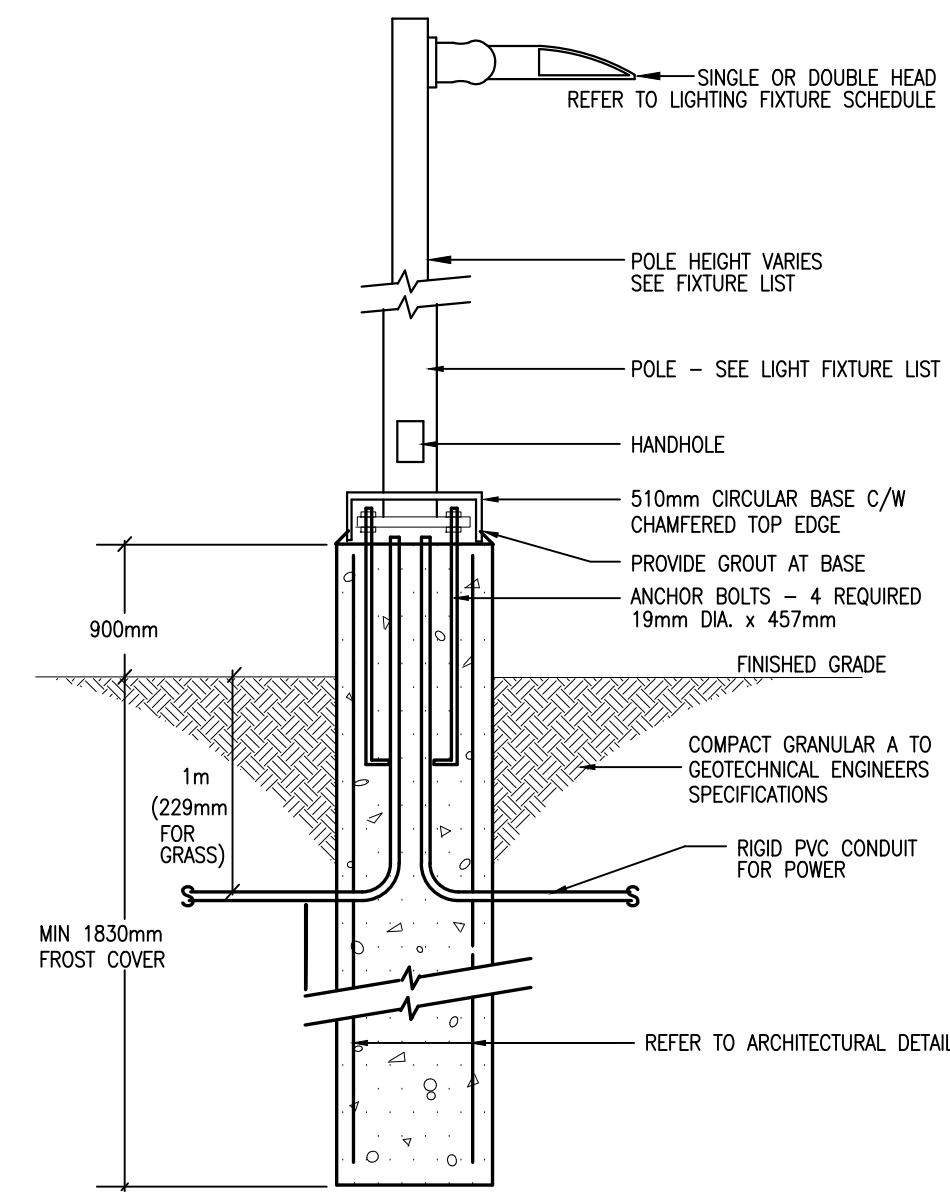
Design by: D.V.  
 Drawn by: B.P.  
 Checked by: D.V.  
 Date: DECEMBER 2022

Project no./No. du projet: 2021-566

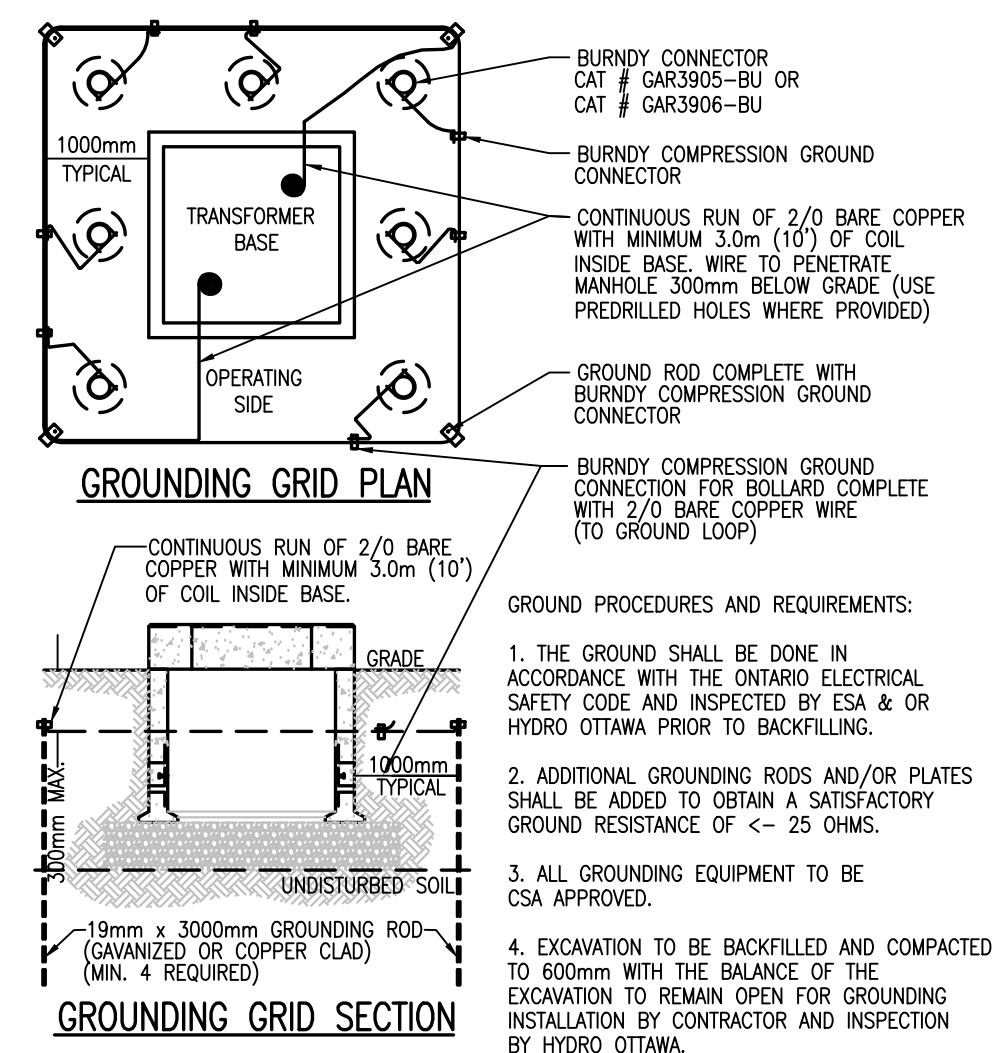
Drawing/Desain: **E1**

Revision no.: or 2

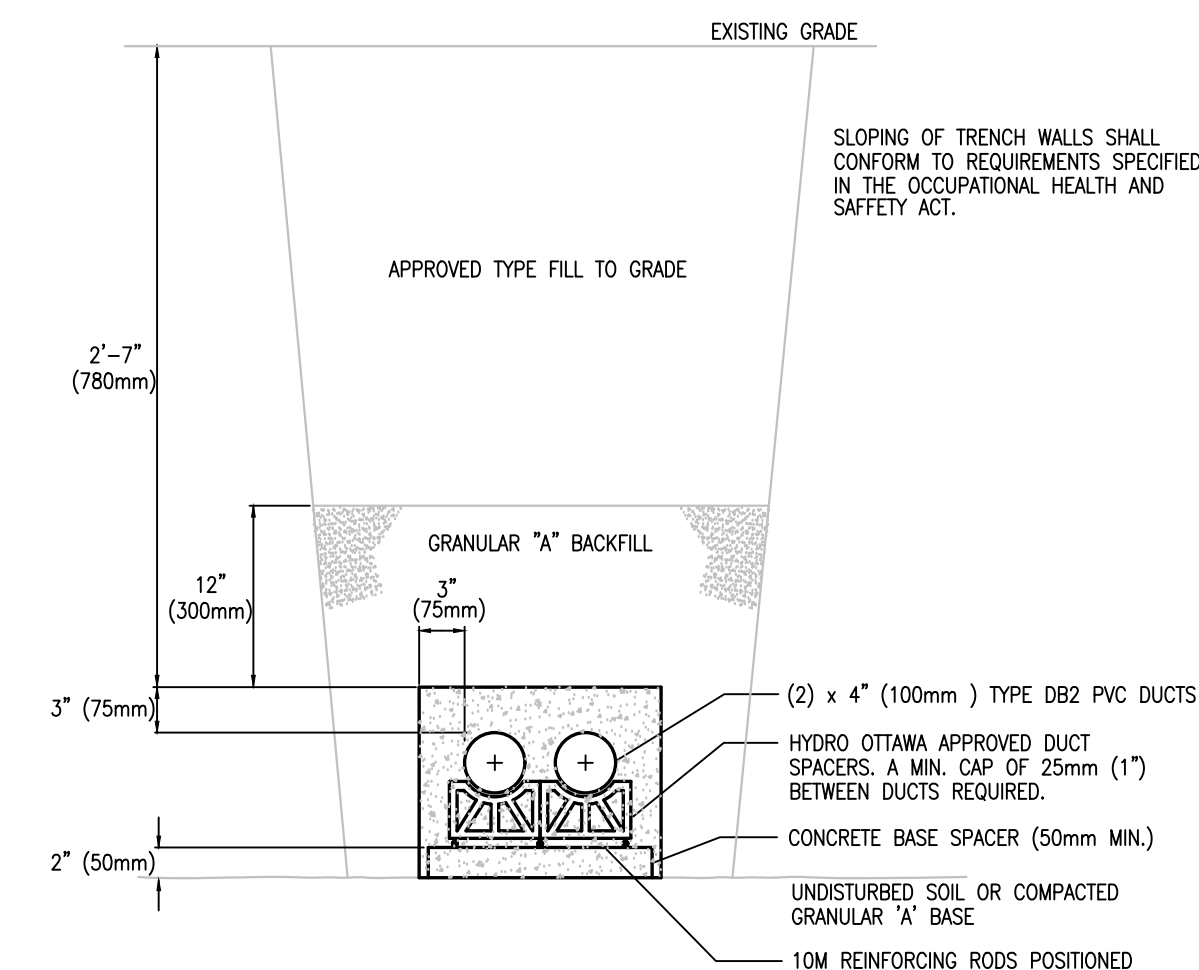
Acad No./Factor: or



**1**  
E2  
TYPICAL  
BASE DETAIL FOR EXTERIOR LIGHT STANDARD  
N.T.S.

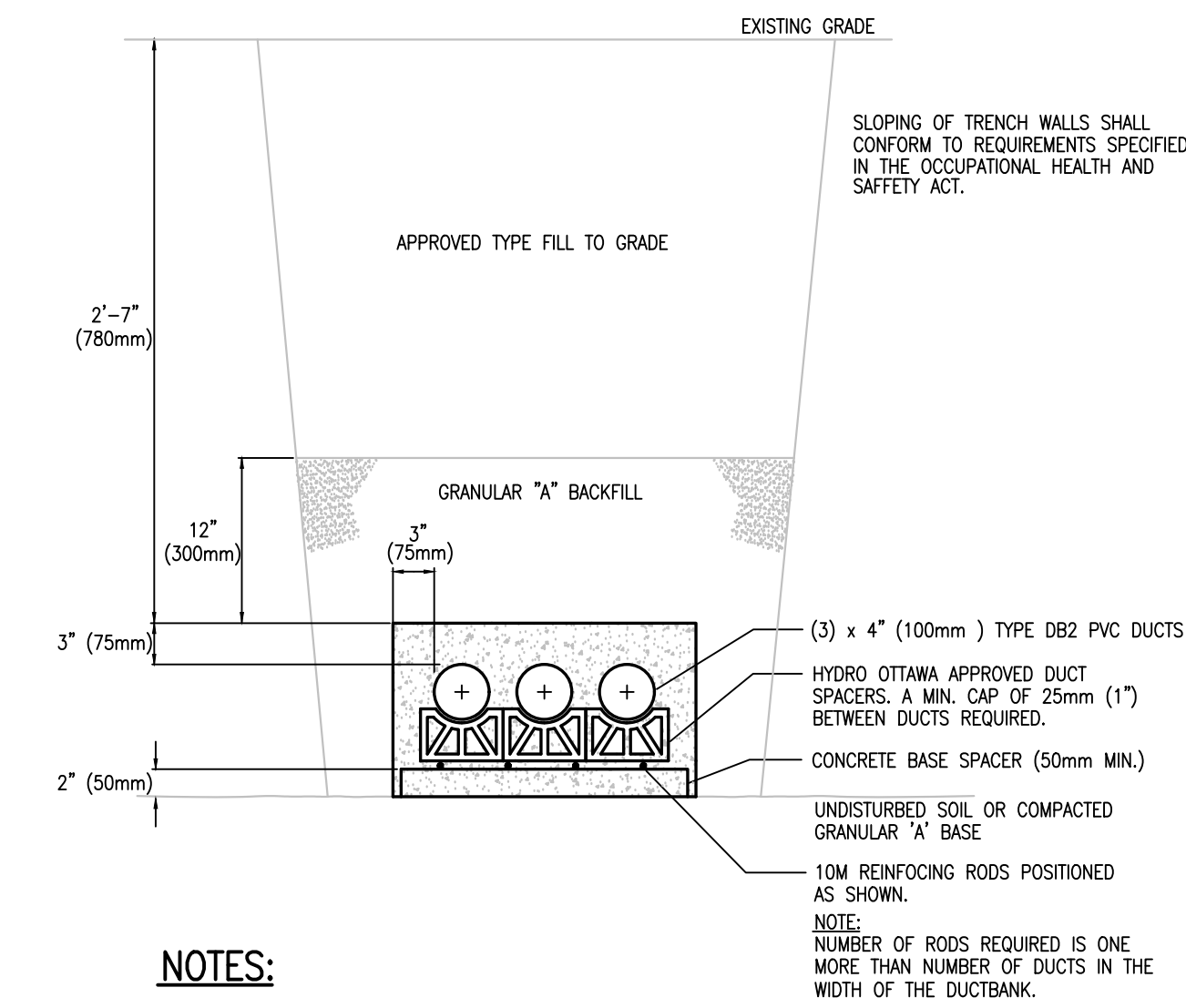


**2**  
E2  
PAD MOUNTED TRANSFORMER BASE  
GROUNDING DETAIL  
N.T.S.



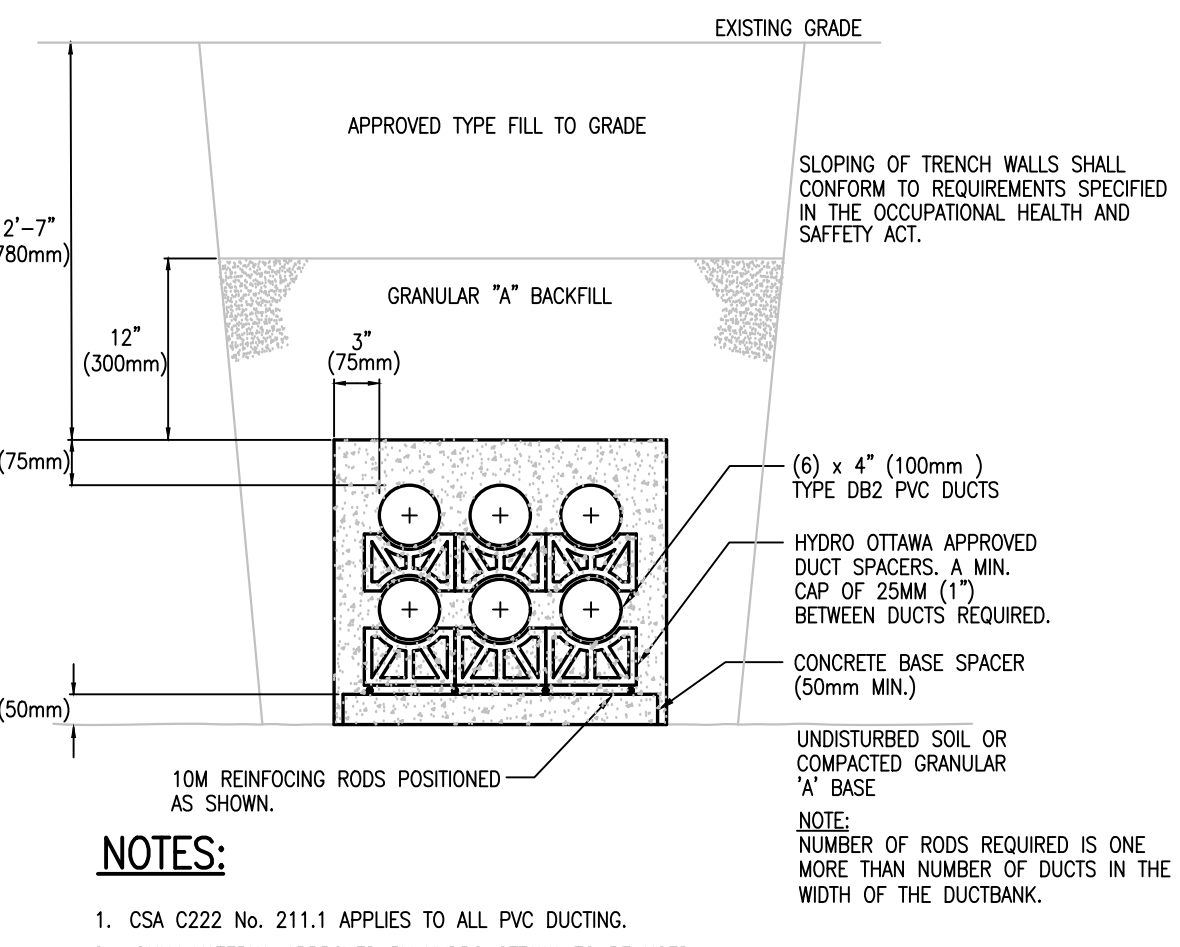
- NOTES:**
- CSA C222 No. 211.1 APPLIES TO ALL PVC DUCTING.
  - ONLY MATERIAL APPROVED BY HYDRO OTTAWA TO BE USED.
  - DUCT JOINTS TO BE GULDED USING AN APPROVED \"PVC\" SOLVENT, WHEN APPLICABLE.
  - REINFORCING RODS FULL LENGTH OF CONCRETE ENCASED DUCTS, OVERLAP JOINTS AND TIE AT BOTH ENDS, DRILL AND DOWEL RODS TO CONCRETE STRUCTURE.
  - DUCT SPACERS TO BE PLACED AT A MAXIMUM OF 1500mm AND WITHIN 150mm OF COUPLING. PLASTIC DUCT SPACERS TO BE USED ONLY IF CONCRETE DUCT SPACERS ARE UNAVAILABLE.
  - FORMS REQUIRED FOR FULL LENGTH OF CONCRETE ENCASED DUCT STRUCTURE.
  - DUCTS AND TRENCHES MUST BE INSPECTED BY HYDRO OTTAWA BEFORE ANY CONCRETE IS POURED.
  - ALL UNDERGROUND UTILITIES MUST BE CONTACTED AND ALL NECESSARY PERMITS MUST BE OBTAINED BY OWNER OR CONTRACTOR.
  - CONTRACTOR MUST ENSURE THAT ALL DUCTS ARE CLEANED, ROODED AND THAT A 6mm (1/4\") POLYPROPYLENE ROPE IS LEFT IN EACH DUCT.

**3**  
E2  
2-CELL CONCRETE DUCT BANK  
FOR SECONDARY SERVICE  
N.T.S.



- NOTES:**
- CSA C222 No. 211.1 APPLIES TO ALL PVC DUCTING.
  - ONLY MATERIAL APPROVED BY HYDRO OTTAWA TO BE USED.
  - DUCT JOINTS TO BE GULDED USING AN APPROVED \"PVC\" SOLVENT, WHEN APPLICABLE.
  - REINFORCING RODS FULL LENGTH OF CONCRETE ENCASED DUCTS, OVERLAP JOINTS AND TIE AT BOTH ENDS, DRILL AND DOWEL RODS TO CONCRETE STRUCTURE.
  - DUCT SPACERS TO BE PLACED AT A MAXIMUM OF 1500mm AND WITHIN 150mm OF COUPLING. PLASTIC DUCT SPACERS TO BE USED ONLY IF CONCRETE DUCT SPACERS ARE UNAVAILABLE.
  - FORMS REQUIRED FOR FULL LENGTH OF CONCRETE ENCASED DUCT STRUCTURE.
  - DUCTS AND TRENCHES MUST BE INSPECTED BY HYDRO OTTAWA BEFORE ANY CONCRETE IS POURED.
  - ALL UNDERGROUND UTILITIES MUST BE CONTACTED AND ALL NECESSARY PERMITS MUST BE OBTAINED BY OWNER OR CONTRACTOR.
  - CONTRACTOR MUST ENSURE THAT ALL DUCTS ARE CLEANED, ROODED AND THAT A 6mm (1/4\") POLYPROPYLENE ROPE IS LEFT IN EACH DUCT.

**4**  
E2  
3-CELL CONCRETE DUCT BANK  
FOR SECONDARY SERVICE  
N.T.S.



- NOTES:**
- CSA C222 No. 211.1 APPLIES TO ALL PVC DUCTING.
  - ONLY MATERIAL APPROVED BY HYDRO OTTAWA TO BE USED.
  - DUCT JOINTS TO BE GULDED USING AN APPROVED \"PVC\" SOLVENT, WHEN APPLICABLE.
  - REINFORCING RODS FULL LENGTH OF CONCRETE ENCASED DUCTS, OVERLAP JOINTS AND TIE AT BOTH ENDS, DRILL AND DOWEL RODS TO CONCRETE STRUCTURE.
  - DUCT SPACERS TO BE PLACED AT A MAXIMUM OF 1500mm AND WITHIN 150mm OF COUPLING. PLASTIC DUCT SPACERS TO BE USED ONLY IF CONCRETE DUCT SPACERS ARE UNAVAILABLE.
  - FORMS REQUIRED FOR FULL LENGTH OF CONCRETE ENCASED DUCT STRUCTURE.
  - DUCTS AND TRENCHES MUST BE INSPECTED BY HYDRO OTTAWA BEFORE ANY CONCRETE IS POURED.
  - ALL UNDERGROUND UTILITIES MUST BE CONTACTED AND ALL NECESSARY PERMITS MUST BE OBTAINED BY OWNER OR CONTRACTOR.
  - CONTRACTOR MUST ENSURE THAT ALL DUCTS ARE CLEANED, ROODED AND THAT A 6mm (1/4\") POLYPROPYLENE ROPE IS LEFT IN EACH DUCT.

**5**  
E2  
5-CELL CONCRETE DUCT BANK  
FOR SECONDARY SERVICE  
N.T.S.

DATE	REVISION	REF
2021-12-16	ISSUED FOR SITE PLAN	0

THE ENGINEER MAKES NO WARRANTY AND ALL RESPONSIBILITY AND LIABILITY FOR PROBLEMS WHICH MAY BE CAUSED BY FAILURE TO FOLLOW THESE PLANS, SPECIFICATIONS AND THE DESIGN INTENT MUST BE BORNE BY THE CONTRACTOR. THE ENGINEER'S LIABILITY IS LIMITED TO THE DESIGN AND CONSTRUCTION OF THE WORK SHOWN ON THESE PLANS. THE ENGINEER'S LIABILITY IS LIMITED TO THE DESIGN AND CONSTRUCTION OF THE WORK SHOWN ON THESE PLANS. THE ENGINEER'S LIABILITY IS LIMITED TO THE DESIGN AND CONSTRUCTION OF THE WORK SHOWN ON THESE PLANS.

THIS DRAWING IS THE PROPERTY OF GOODKEY WEEDMARK & ASSOCIATES LIMITED AND ALL RIGHTS ARE RESERVED. NO USE OF THIS DRAWING MAY BE MADE WITHOUT EXPRESS WRITTEN CONSENT. DO NOT SCALE DRAWINGS.

L'INGÉNIEUR DÉCLINE TOUTE RESPONSABILITÉ DÉCOULANT DE PROBLÈMES FAISANT SUITE AU NON RESPECT DES PLANS, DES SPÉCIFICATIONS OU DU CONCEPT D'UN PROJET. LA RESPONSABILITÉ DE LA CONSTRUCTION DE LA TRAVAIL EST LIMITÉE À LA CONCEPTION ET À LA CONSTRUCTION DE LA TRAVAIL. LA RESPONSABILITÉ DE LA CONSTRUCTION DE LA TRAVAIL EST LIMITÉE À LA CONCEPTION ET À LA CONSTRUCTION DE LA TRAVAIL.

CE DÉSIN EST LA PROPRIÉTÉ DE GOODKEY WEEDMARK & ASSOCIATES LIMITÉE ET TOUS LES DROITS SONT RÉSERVÉS. L'UTILISATION EST INTERDITE SANS LE CONSENTEMENT ÉCRIT DE L'AUTEUR. NE PAS RÉSCALER LES DÉSSINS À L'ÉCHELLE.

**Goodkey Weedmark Consulting Engineers**

GOODKEY WEEDMARK & ASSOCIATES LIMITED  
1688 Woodward Dr. 613 727-5111 Voice  
Ottawa, Ontario 613 727-5115 Fax  
Canada K2C 3J8 www.gwe.com Web

Project north  
here as project

Seal/Stamp  
B. B. VIVAS  
100123120  
PROVINCE OF ONTARIO

Project/Client  
**ACCESS STORAGE**  
60 DENZIL DOYLE CT.  
OTTAWA ON

Drawing title/Title du dessin  
**SINGLE LINE DIAGRAM,  
EXTERIOR LIGHT SCHEDULE,  
ELECTRICAL DETAILS**

Scale Échelle	AS NOTED 2021-566	Project no./No. du projet 2021-566
Design by Conçu par	D.V.	Drawing/Desain D.V.
Drawn by Dessiné par	B.P.	<b>E2</b>
Reviewed by Examiné par	D.V.	
Date Date	DECEMBER 2022	Revision no./ Acad No/Version -