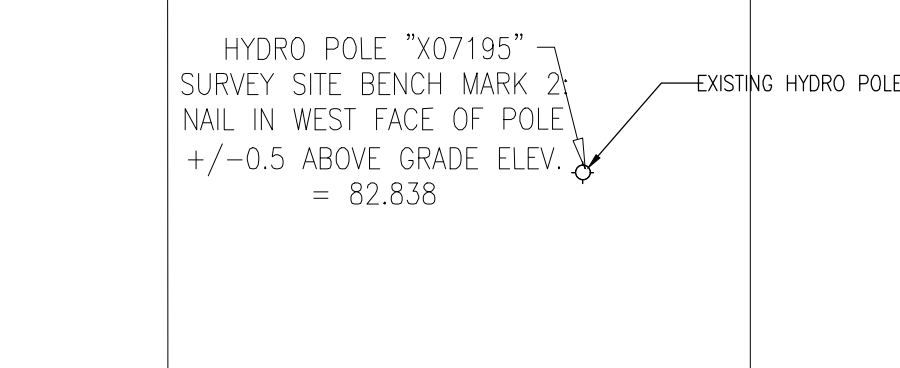


SITE SERVICES LEGEND

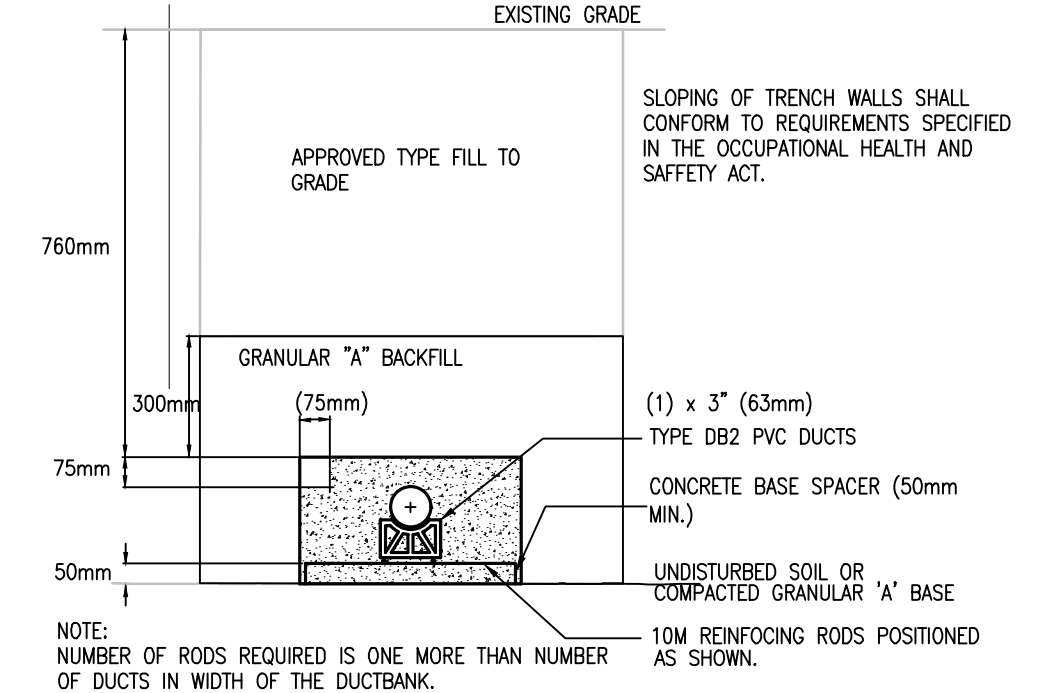
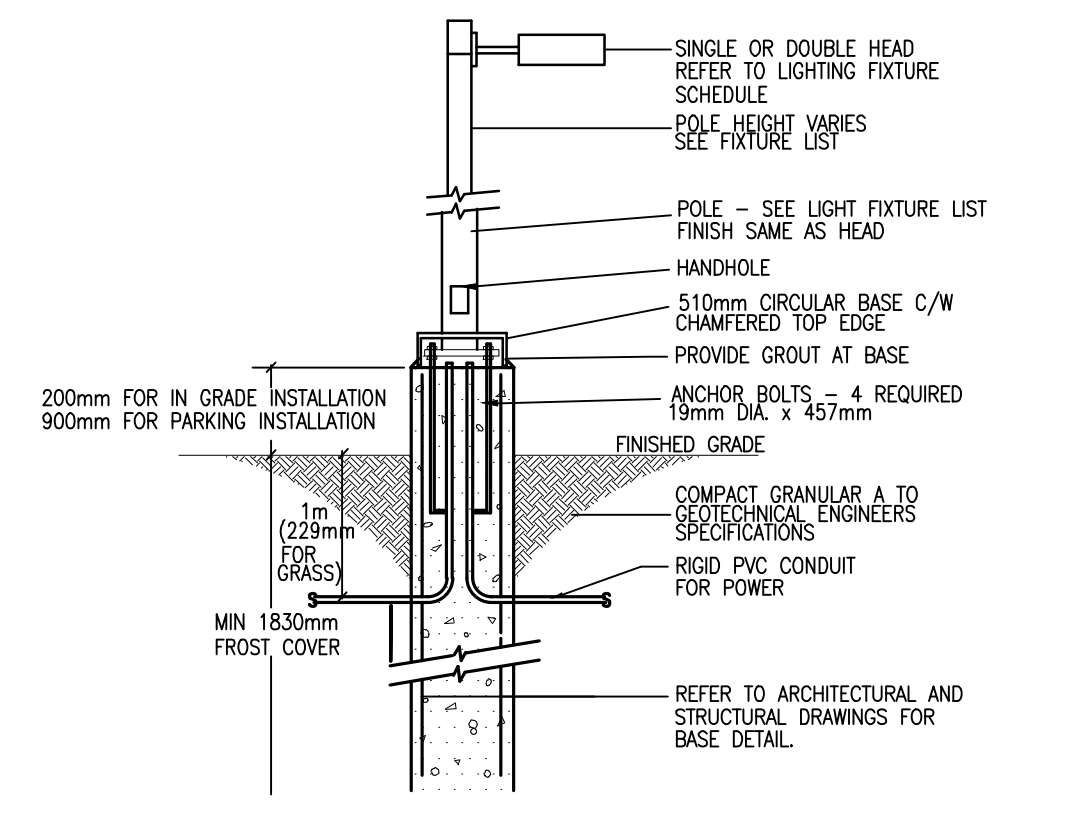
SYMBOL	DESCRIPTION
	HYDRO METER
	PAD MOUNT TRANSFORMER
	LIGHT STANDARD
	SINGLE HEAD POST TOP LIGHT
	WALL MOUNT LIGHT
	RECESSED DOWN LIGHT
	HYDRO UTILITY POLE
	UNDERGROUND UTILITY WIRING H-POWER, B-BELL, C-CABLE TV
	UNDERGROUND HIGH VOLTAGE DUCT BANK



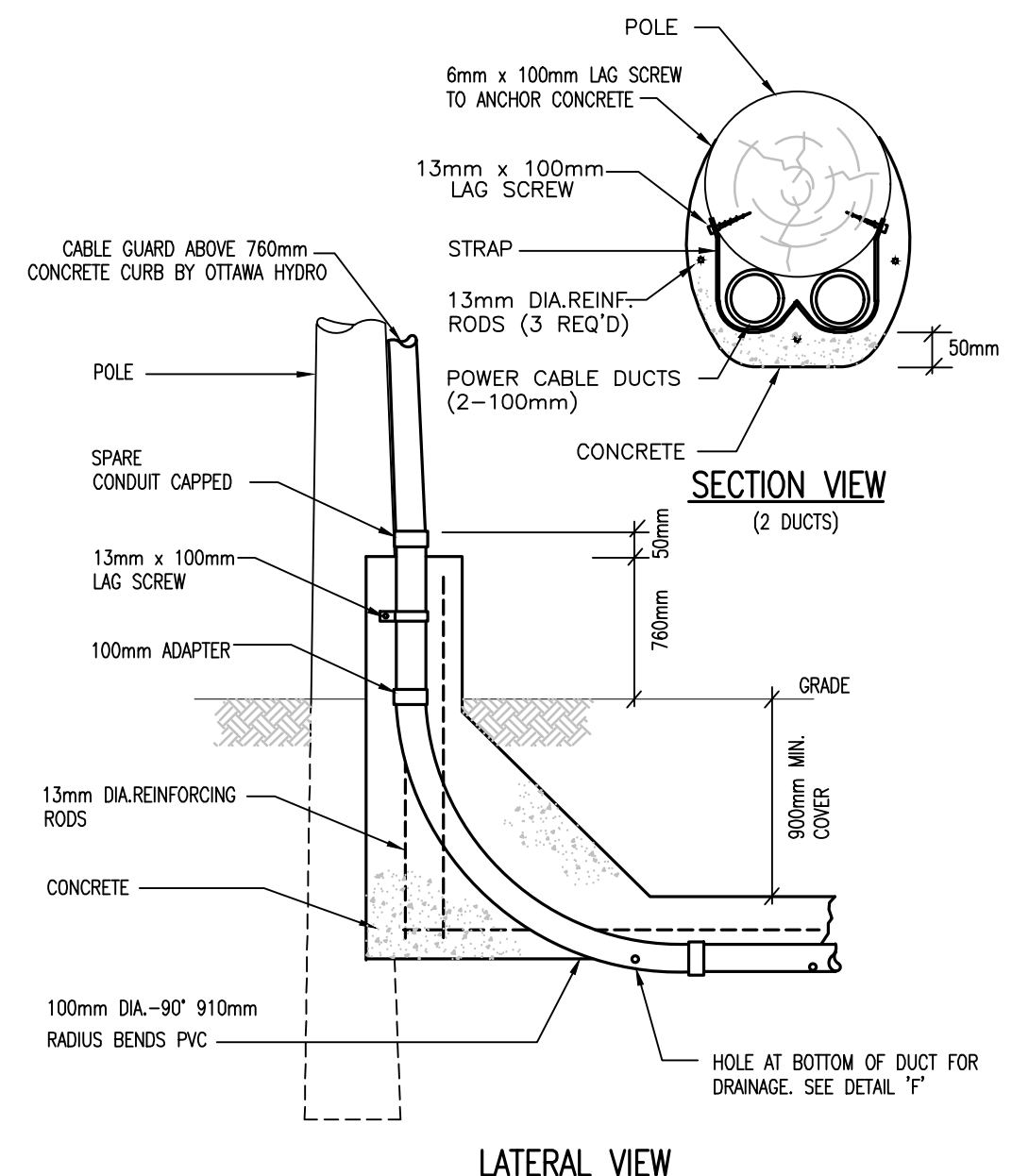
NEW WORK NOTES

- ALL UNDERGROUND CONDUITS SHALL BE COORDINATED WITH ALL UTILITIES, ARCHITECTURAL AND CIVIL DRAWINGS.

MARCH ROAD



- NOTES:**
- CSA C222 No. 211.1 APPLIES TO ALL PVC DUCTING.
 - ONLY MATERIAL APPROVED BY HYDRO OTTAWA TO BE USED.
 - DUCT JOINTS TO BE GLUED USING AN APPROVED "PVC" SOLVENT, WHEN APPLICABLE.
 - REINFORCING RODS FULL LENGTH OF CONCRETE ENCASED DUCTS. OVERLAP JOINTS AND TIE AT BOTH ENDS. DRILL AND DOWEL RODS TO CONCRETE STRUCTURE.
 - FORMS REQUIRED FOR FULL LENGTH OF CONCRETE ENCASED DUCT STRUCTURE.
 - DUCTS AND TRENCHES MUST BE INSPECTED BY HYDRO OTTAWA BEFORE ANY CONCRETE IS POURED.
 - ALL UNDERGROUND UTILITIES MUST BE CONTACTED AND ALL NECESSARY PERMITS MUST BE OBTAINED BY OWNER OR CONTRACTOR.
 - CONTRACTOR MUST ENSURE THAT ALL DUCTS ARE CLEANED, RODDED AND THAT A 6mm (1/4") POLYPROPYLENE ROPE IS LEFT IN EACH DUCT.



EXTERIOR LIGHTING FIXTURE SCHEDULE

TYPE	DESCRIPTION	CATALOG NUMBER (OR APPROVED EQUAL)	LAMPS PER FIXTURE			VOLT	MOUNTING	REMARKS
			QTY	TYPE	WATTS			
A1	EXTERIOR CANOPY LIGHT	PRESCOLITE - LBSE-6RD-35K8-WH LBSE-6RD-1-BL	-	LED	12.89	3500K	120	CANOPY DARK SKY COMPLIANT FIXTURE.
L2	EXTERIOR LIGHTING POLE SINGLE HEAD	BEACON - VP-1-160L-75-35K8-3-UNV-A	-	LED	72.1	3500K	208	POLE 20' 4" DARK SKY COMPLIANT FIXTURE. ARCH TO SELECT COLOURS, FINISH
L2B	EXTERIOR LIGHTING POLE SINGLE HEAD	BEACON - VP-1-36L-39-35K7-4W	-	LED	39.6	3500K	208	POLE DARK SKY COMPLIANT FIXTURE. ARCH TO SELECT COLOURS, FINISH
W1	EXTERIOR WALL PACK	HUBBELL - RWL1-48L-20-35K8-4W-U	-	LED	19.9	3500K	120	WALL DARK SKY COMPLIANT FIXTURE. ARCH TO SELECT COLOURS, FINISH
B1	EXTERIOR ILLUMINATED BOLLARD	KIM LIGHTING - PA7R-FI-NU-3-120L020-35K7	-	LED	22	3500K	120	BOLLARD DARK SKY COMPLIANT FIXTURE.

NOTES: ALL SITE LIGHTING FIXTURES SHALL BE DARK SKY COMPLIANT MEETING IESNA, LEED AND CITY OF OTTAWA REQUIREMENTS.

NUMBER	REVISION	DATE	BY	INITIALS
7	ISSUED FOR REVISED SPA	2022-12-12		
6	ISSUED FOR TENDER	2022-12-09		
5	ISSUED FOR REVISED SITE PLAN CONTROL	2022-10-05		
4	ISSUED FOR 90% REVIEW	2022-08-29		
3	ISSUED FOR SITE PLAN APPLICATION R1	2022-08-18		
2	ISSUED FOR 80% REVIEW	2022-07-27		
1	ISSUED FOR BUILDING PERMIT	2022-07-15		

DESIGNED BY / CONCEIVED	CHECKED BY / VERIFIED
MEHTESHAM	D.VYAS
JANTALA	AS NOTED

DRAWING TITLE	SCALE	SHEET NUMBER
1 A1.1		

THIS DRAWING IS THE PROPERTY OF THE CITY OF OTTAWA AND ALL COPYRIGHT IS RESERVED. DIMENSIONS ON DRAWING ARE FOR ESTIMATING PURPOSES ONLY. IT IS THE RESPONSIBILITY OF EACH CONTRACTOR AND SUB-CONTRACTOR OR CONSULTANT TO CHECK AND VERIFY ALL DIMENSIONS AND CONDITIONS ON SITE. NOTIFY OWNER OF ANY ERRORS OR OMISSIONS PRIOR TO COMMENCING THE WORK. DO NOT SCALE THE DRAWINGS.

CE DESSIN CONSTITUE LA PROPRIÉTÉ DE LA VILLE D'OTTAWA ET TOUT DROIT D'AUTEUR EST RÉSERVÉ. LES DIMENSIONS UTILISÉES LE SONT À DES FINS DESTINATION SEULEMENT. IL INCOMBE À CHAQUE ENTREPRENEUR, SOUS-CONTRACTANT OU CONSULTANT DE VÉRIFIER TOUTES LES DIMENSIONS ET LES CONDITIONS SUR LE CHANTIER. VEUILLEZ INFORMER LE PROPRIÉTAIRE DE TOUTE ERREUR OU OMISSION AVANT D'ENTAMER LES TRAVAUX. NE DRESSEZ PAS LES PLANS À L'ÉCHELLE.

ARCHITECT / ARCHITECTE
CONSULTANT / EXPERT-CONSEIL

LICENSED PROFESSIONAL ENGINEER
D. B. VYAS
100133120
PROVINCE OF ONTARIO

PROJECT / LOCATION / PROJET / ENDROIT
FIRE STATION # 45
OTTAWA FIRE SERVICES

1075-A MARCH ROAD
OTTAWA, ONTARIO

DRAWING / DESSIN
ELECTRICAL
SITE PLAN, LEGEND, DETAILS
AND LIGHT SCHEDULE